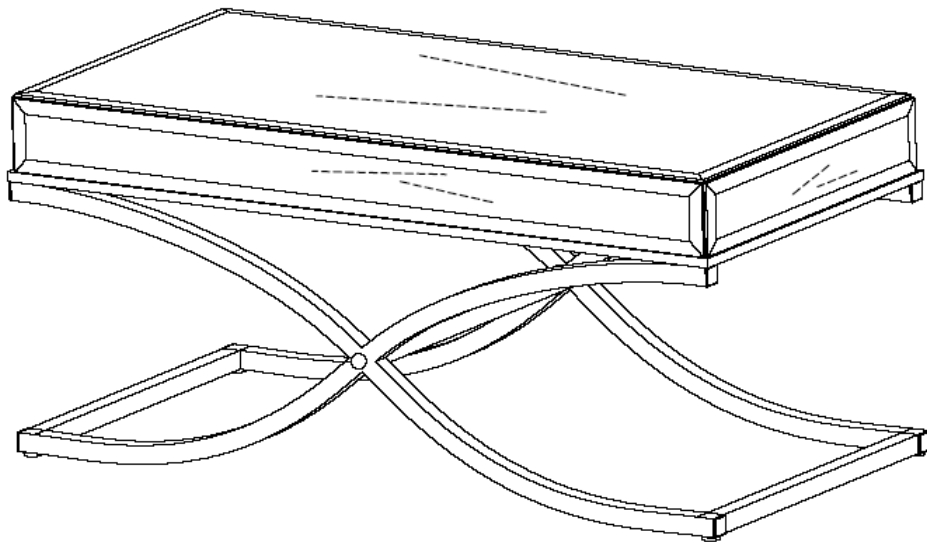


Assembly Instructions

CM4230C



ASSEMBLY RATING

The Assembly Rating is a 5-point system that shows the degree of effort needed in assembling a specific product (with 1 being easy and 5 being difficult). For some products, two persons are recommended.

EASY  DIFFICULT

Tools Required for Assembly:

Allen Wrench



(Included)

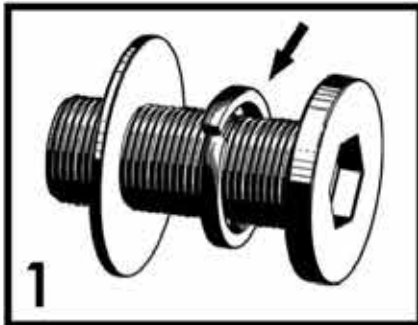


2 PERSONS RECOMMENDED

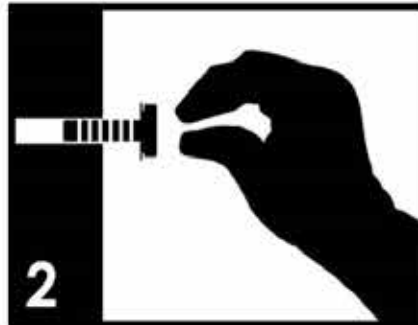
ASSEMBLY & CARE ADVICE

FOR YOUR FURNITURE TO LAST, CORRECT ASSEMBLY AND PROPER MAINTENANCE ARE NECESSARY. PLEASE FOLLOW THE INFORMATION PROVIDED BELOW TO FULLY ENJOY YOUR FURNITURE.

BASIC ASSEMBLY TECHNIQUES



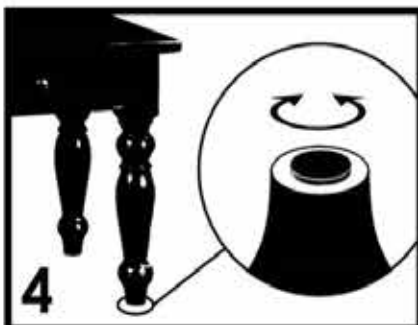
1 When lock or spring washer is used in an assembly, please make sure the lock or spring washer is placed between the larger flat washer and the head of the screw or bolt.



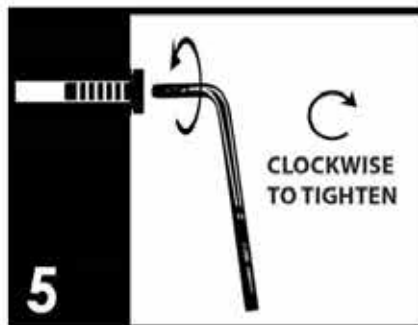
2 Position each part correctly and insert screws or bolts into their respective holes by hand tighten or using the proper hand tool. Only tighten when step is completed or when instructed to do so.



3 Use cardboard or carpet area when assembling furniture to prevent scratches. Make sure the furniture rests on a flat and level surface with each leg evenly touching the floor.



4 Some furniture comes with height adjustment knobs underneath each leg. To lower or to raise each leg, you need to turn clockwise or counterclockwise, respectively.



5 Make sure all parts are properly aligned, then use the appropriate hand tool to completely tighten the bolts or screws. Do not use power tools and do not overtighten.



6 Save the instructions and store the Allen wrench or any supplied tool for later maintenance. After two weeks, check and tighten any loose hardware and repeat again every six months thereafter.

IT IS THE USER'S RESPONSIBILITY TO MAINTAIN THE FURNITURE. THE HARDWARE MAY LOOSEN OVER TIME AND MAY CAUSE THE FURNITURE TO BE WOBBLY AND UNABLE TO SUPPORT ITS INTENDED WEIGHT CAPACITY. THIS MAY LEAD TO COLLAPSE AND MAY CAUSE SERIOUS INJURY.



FAILURE TO FOLLOW THE GUIDELINES ABOVE MAY RESULT IN INJURY AND/OR PROPERTY DAMAGE.

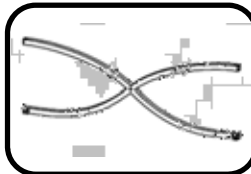

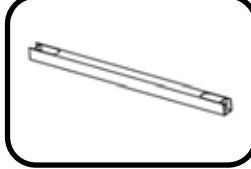




Before you begin, please read Page 2 of "Assembly and Care Advice".

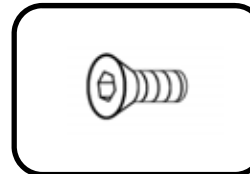
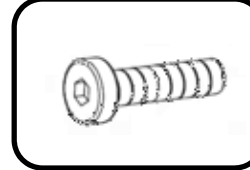
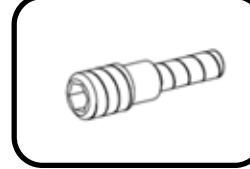



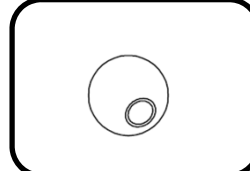
And remember, do not tighten until each step is completed or instructed.

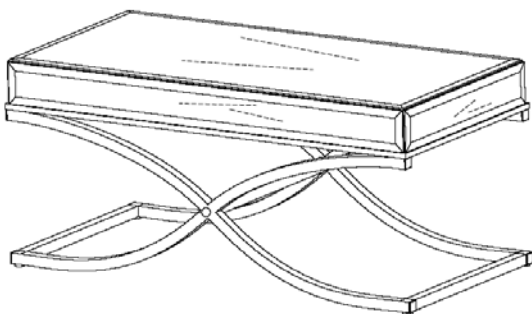
MD

Parts List

-  #1 x 2 pcs
Leg Stand
-  #2 x 1 pc
Center Stand Support
-  #3 x 2 pcs
Lower Stand Support
-  #4 x 1 pc
Table Frame
-  #5 x 1 pc
Table Top

Hardware List

-  #A x 10 pcs
Flat Bolt 1/4"x5/8"
-  #B x 4 pcs
Bolt 1/4"x1-1/4"
-  #C x 2 pcs
Allen Screw
-  #D x 4 pcs
Flat Washer
-  #E x 4 pcs
Leveler
-  #F x 1 pc
Allen Wrench
-  #G x 2 pcs
Knob



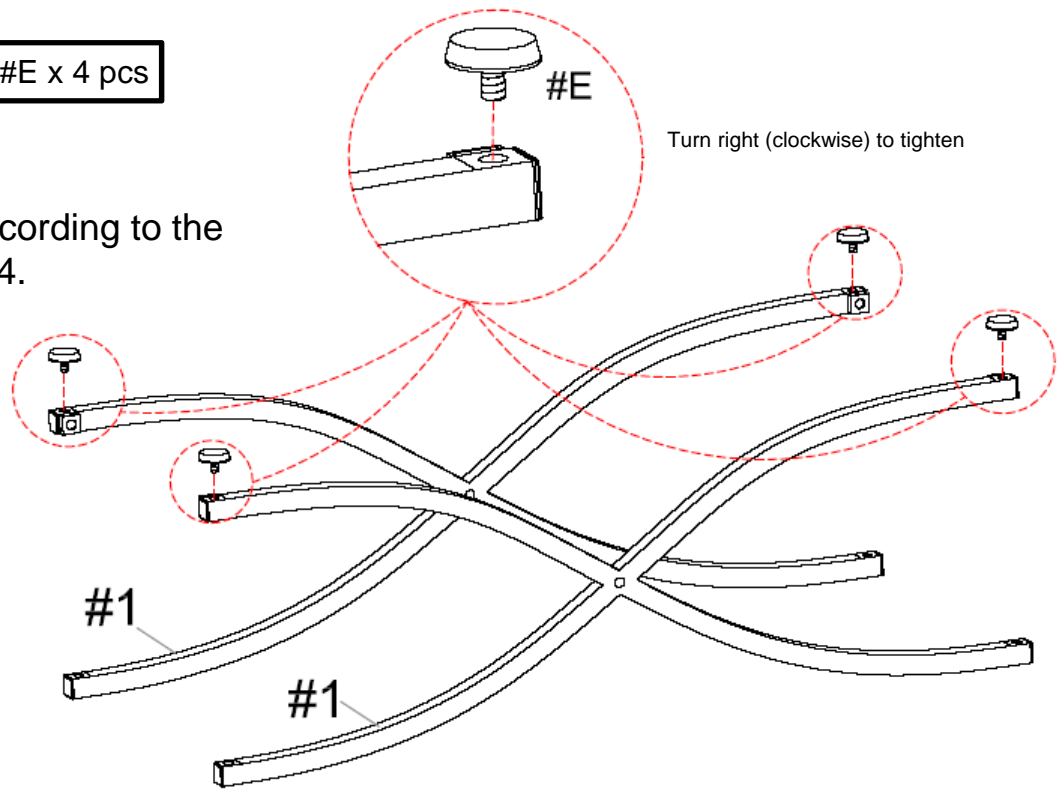
Due to the size and/or weight of this product, it is highly recommended that the assembly should be done near the area of its intended location. Make sure you have enough space to move around during the assembly. ALWAYS have at least two people to help with transporting and assembling the product to avoid any potential injury and/or damage.



Align the threaded ends of the 4 levelers (#E) with the pre-drilled holes on the 2 leg stands (#1) and tighten by hand until secured.

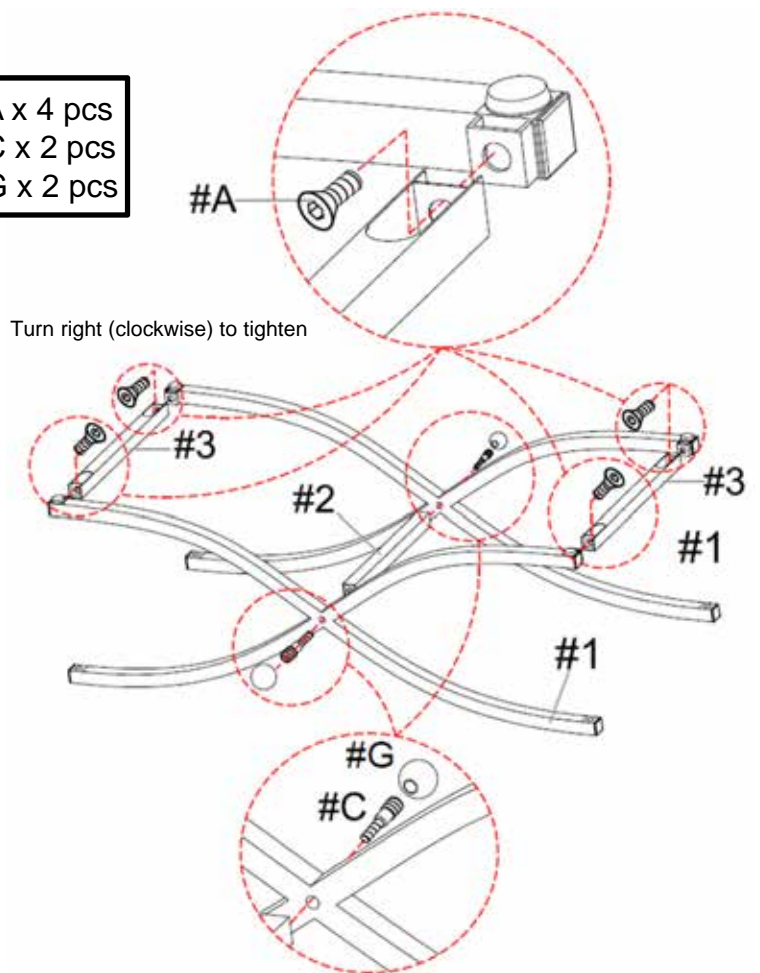
#E x 4 pcs

Adjust the levelers according to the ground level on Step 4.



#A x 4 pcs
#C x 2 pcs
#G x 2 pcs

- I. Align the center stand support (#2) with the 2 leg stands (#1).
- II. Insert 2 Allen screws (#C) through the leg stands (#1) and secure those screws (#C) using the Allen wrench (#F) to lock them with the 2 leg stands (#1). Screw 2 knobs (#G) onto the heads of the Allen screws (#C) until secured.
- III. Align the 2 lower stand supports (#3) with the 2 leg stands (#1).
- IV. Secure 4 flat-head bolts (#A) through the lower stand supports (#3) using the Allen wrench (#F) to lock them with the 2 leg stands (#1).

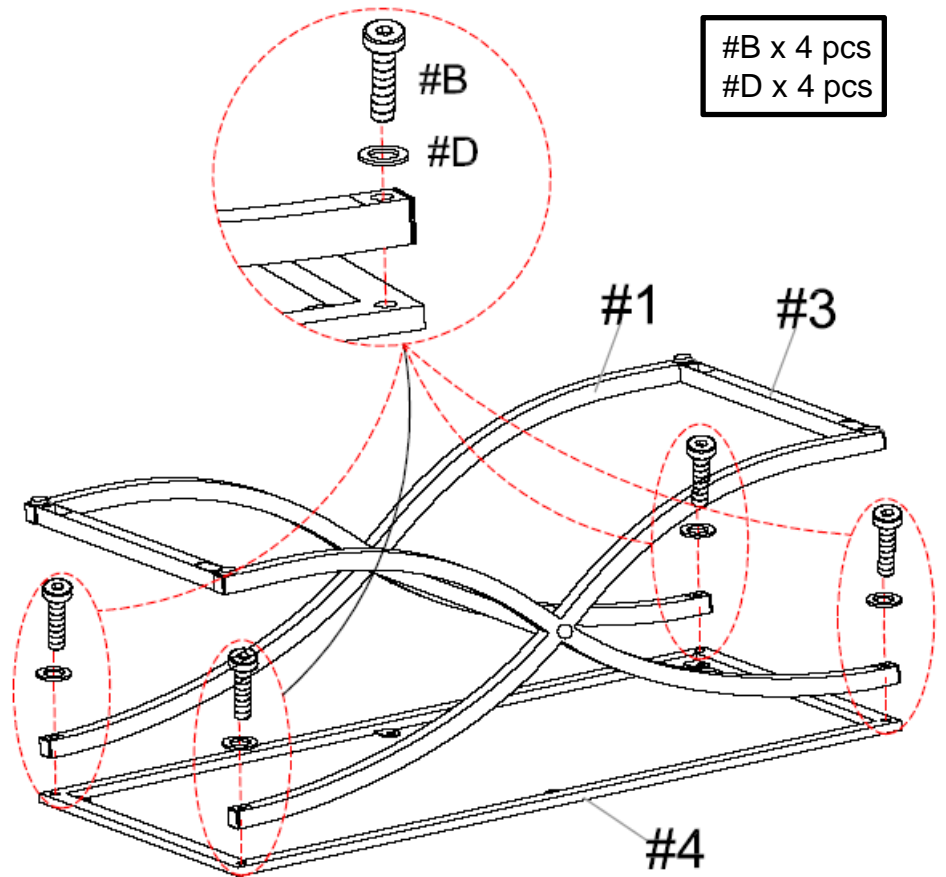




Turn right (clockwise) to tighten

#B x 4 pcs
#D x 4 pcs

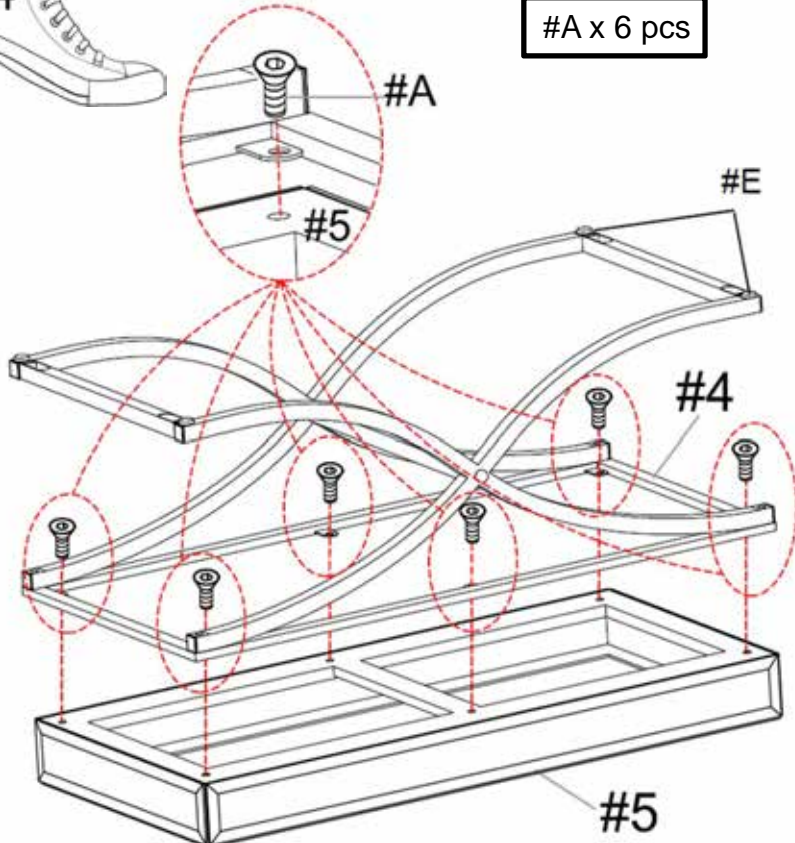
- I. Align the assembled leg stands (#1) with the pre-drilled holes on the table frame (#4).
- II. Prepare 4 bolt assemblies by inserting the flat washer (#D) onto the bolt (#B).
- III. Insert the bolt assemblies through the assembled leg stands (#1) and secure those bolts using the Allen wrench (#F) to lock them with the table frame (#4).



Turn right (clockwise) to tighten

#A x 6 pcs

- I. With the help of another person, carefully place the table top (#5) facing down on a protected surface. Align the brackets of the assembled table frame (#4) with the pre-drilled holes on the table top (#5).
- II. Insert 6 flat-head bolts (#A) through the brackets of the assembled table frame (#4) and secure those bolts (#A) using the Allen wrench (#F) to lock them with the table top (#5).
- III. Carefully place the table in the upright position. Make sure the table is rested on a flat surface and does not feel loose or wobbly. If it does, double check that the bolts/screws are secured and properly tightened.
- IV. If necessary, adjust the levelers (#E) according to the ground level. To lower or to raise the levelers (#E), turn the levelers clockwise or counterclockwise, respectively.



ASSEMBLY IS COMPLETED