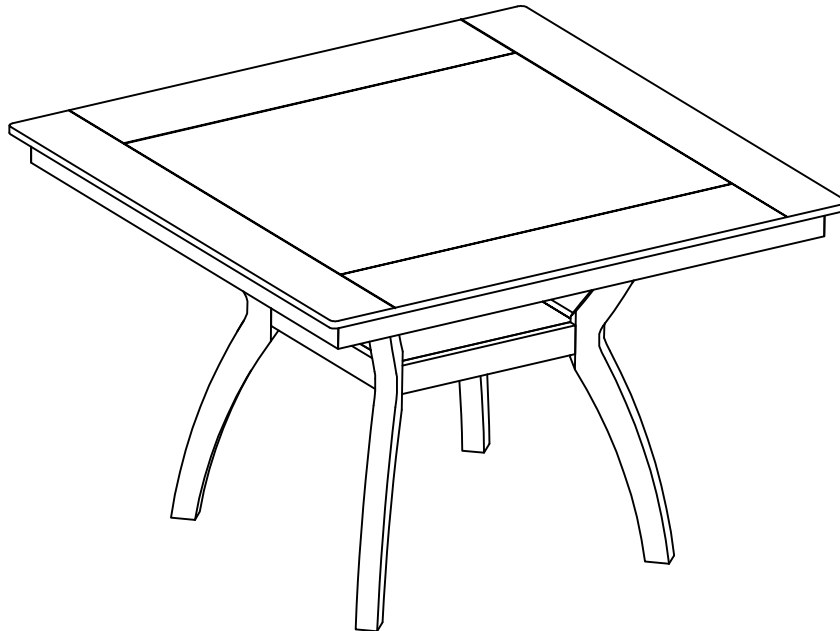


**Furniture of America™**

# Assembly Instructions

CM3984W-PT

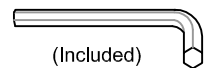


## ASSEMBLY RATING

The Assembly Rating is a 5-point system that shows the degree of effort needed in assembling a specific product (with 1 being easy and 5 being difficult). For some products, two persons are recommended.

Tools Required For Assembly:

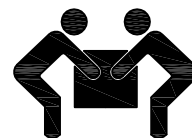
Allen Wrench



EASY



DIFFICULT

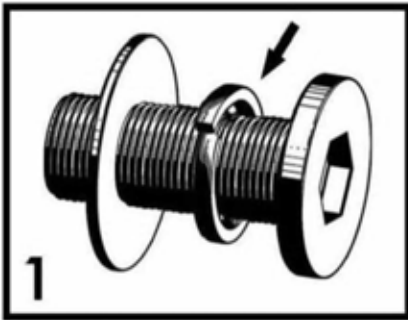


2 PERSONS RECOMMENDED

# ASSEMBLY & CARE ADVICE

FOR YOUR FURNITURE TO LAST, CORRECT ASSEMBLY AND PROPER MAINTENANCE ARE NECESSARY. PLEASE FOLLOW THE INFORMATION PROVIDED BELOW TO FULLY ENJOY YOUR FURNITURE.

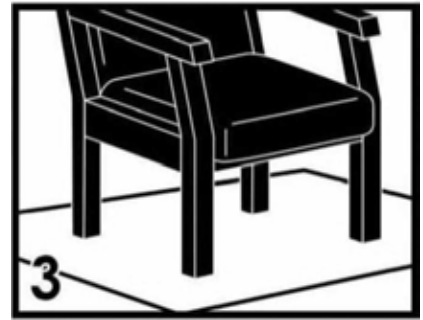
## BASIC ASSEMBLY TECHNIQUES



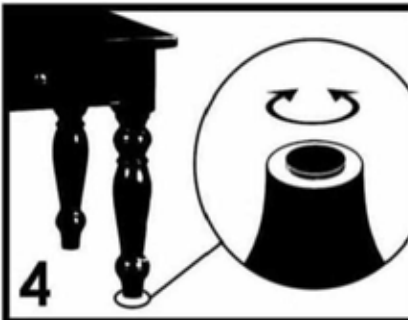
When lock or spring washer is used in an assembly, please make sure the lock or spring washer is placed between the larger flat washer and the head of the screw or bolt.



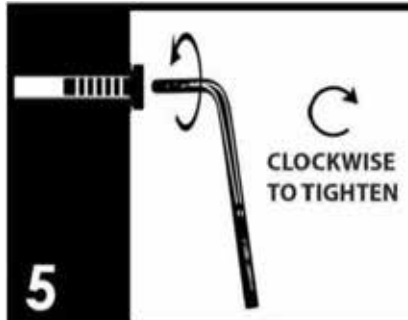
Position each part correctly and insert screws or bolts into their respective holes by hand tighten or using the proper hand tool. Only tighten when step is completed or when instructed to do so.



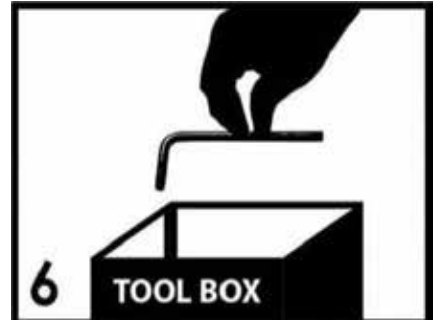
Use cardboard or carpet area when assembling furniture to prevent scratches. Make sure the furniture rests on a flat and level surface with each leg evenly touching the floor.



Some furniture comes with height adjustment knobs underneath each leg. To lower or to raise each leg, you need to turn clockwise or counterclockwise, respectively.

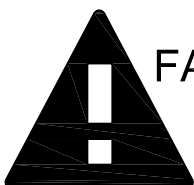


Make sure all parts are properly aligned, then use the appropriate hand tool to completely tighten the bolts or screws. Do not use power tools and do not overtighten.



Save the instructions and store the Allen wrench or any supplied tool for later maintenance. After two weeks, check and tighten any loose hardware and repeat again every six months thereafter.

IT IS THE USER'S RESPONSIBILITY TO MAINTAIN THE FURNITURE. THE HARDWARE MAY LOOSEN OVER TIME AND MAY CAUSE THE FURNITURE TO BE WOBBLY AND UNABLE TO SUPPORT ITS INTENDED WEIGHT CAPACITY. THIS MAY LEAD TO COLLAPSE AND MAY CAUSE SERIOUS INJURY.



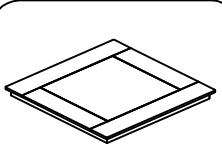
**FAILURE TO FOLLOW THE GUIDELINES ABOVE MAY RESULT IN INJURY AND/OR PROPERTY DAMAGE.**



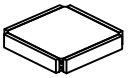
Before you begin, please read Page 2 of "Assembly and Care Advice".

And remember, do not tighten until each step is completed or instructed.

### Parts List



#1 x 1pc  
Table Top



#2 x 1pc  
Table Base



#3 x 4pcs  
Table Leg

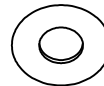
### Hardware List



#A x 12pcs  
Bolt Ø5/16" x 3"



#Bx 12pcs  
Lock Washer



#C x 12pcs  
Flat Washer



#D x 1pc  
Allen Wrench



#A x 8pcs  
 #B x 8pcs  
 #C x 8pcs

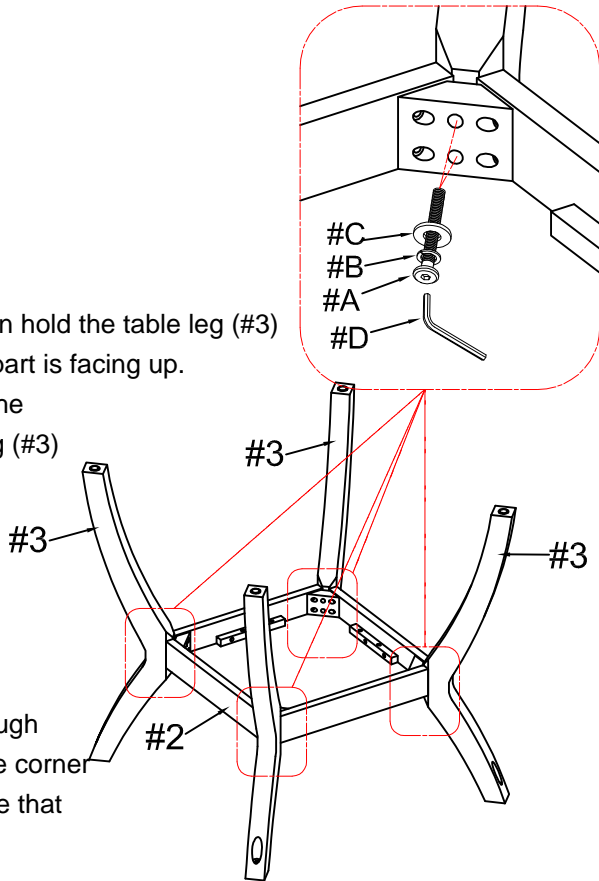
I. With the help of another person hold the table leg (#3) upside down so that the longer part is facing up.

II. Align the pre-drilled holes of the table base (#2) with the table leg (#3) also upside down.

III. Prepare bolt assembly by inserting FIRST the lock washer (#B) onto the bolt (#A) and then the flat washer (#C) onto the SAME bolt (#A), in that order.

IV. Insert the bolt assembly through one of the pre-drilled holes in the corner of the table base (#2) and secure that bolt using the Allen wrench (#D) to lock it with the leg (#3).

Repeat the process with the remaining bolt and legs.



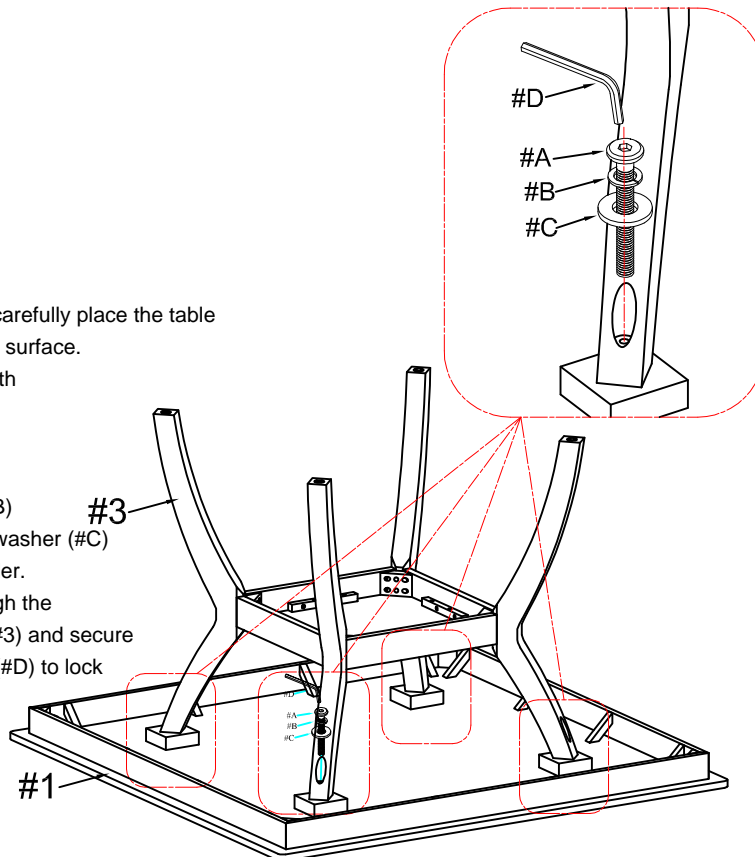
#A x 4pcs  
 #B x 4pcs  
 #C x 4pcs

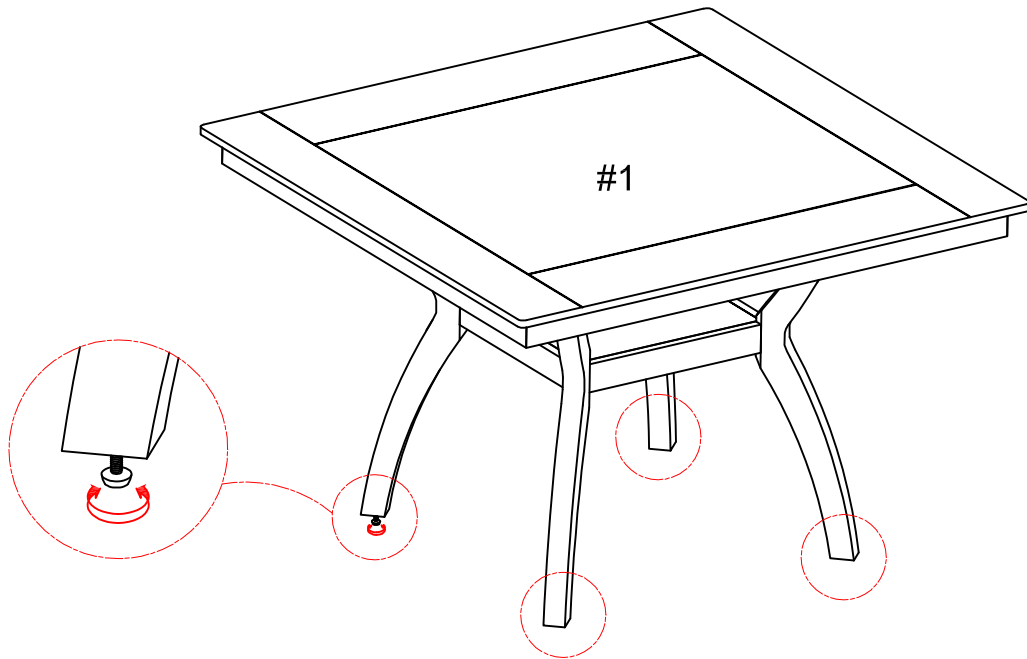
I. With the help of another person, carefully place the table top (#1) facing down on a protected surface.

II. Align the top of the 4 legs (#3) with the pre-drilled holes on the bottom of the table top (#1).

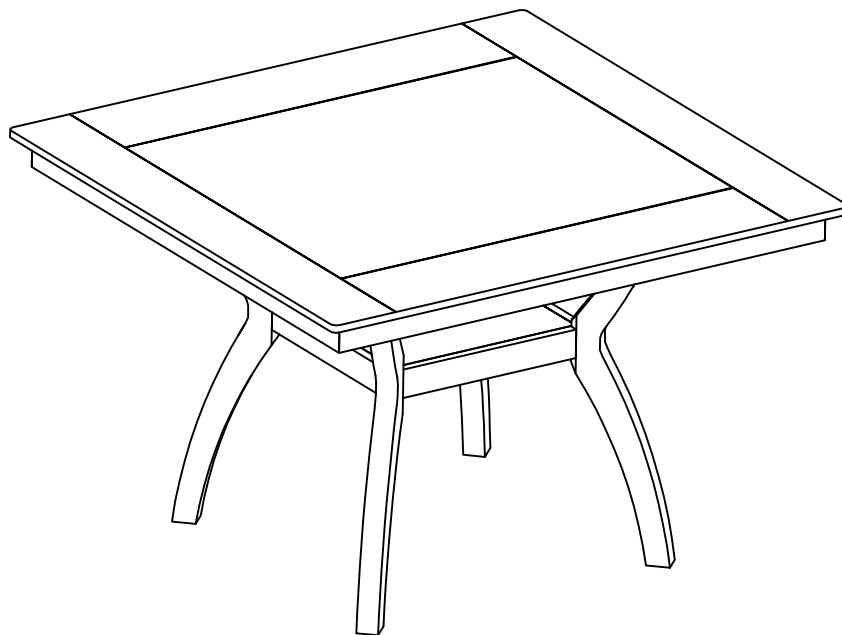
III. Prepare 4 bolt assemblies by inserting FIRST the lock washer (#B) onto the bolt (#A) and then the flat washer (#C) onto the SAME bolt (#A), in that order.

IV. Insert the bolt assemblies through the pre-drilled holes on the table legs (#3) and secure those bolts using the Allen wrench (#D) to lock them with the table top (#1).





Make sure the table is rested on a flat surface and does not feel loose or wobbly. If it does, double check that the bolts are secured and properly tightened.



**ASSEMBLY IS COMPLETED**