

MODEL #

**CM3454PT-5PK**

Questions?

GIVE US CALL: 1-888-980-5122  
MON-FRI 8:30AM - 5:30PM (PST)

# ASSEMBLY INSTRUCTIONS

## TOOLS REQUIRED



Allen Wrench

(Included)

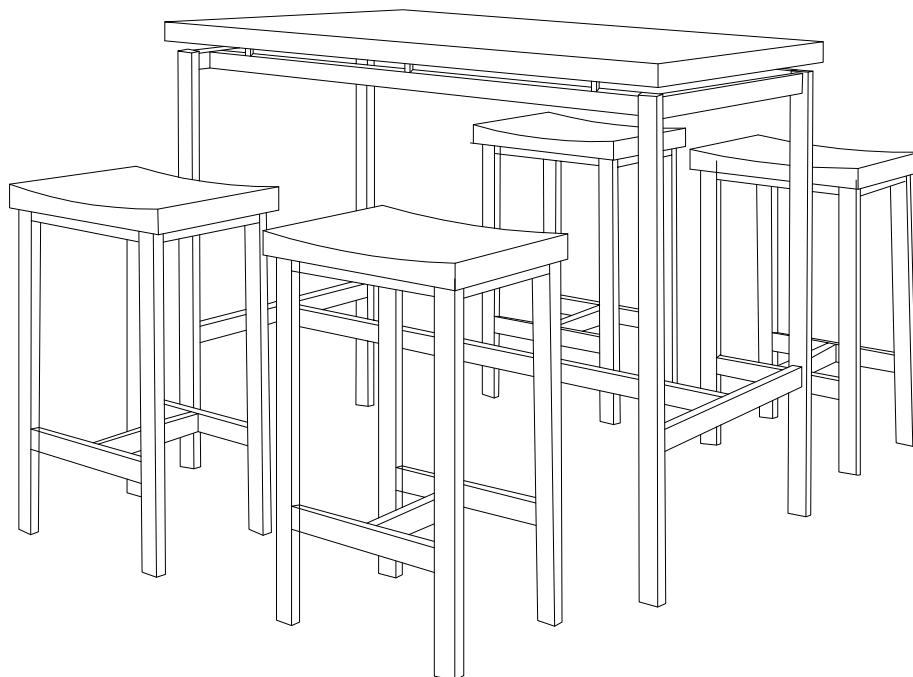


Phillips  
Screwdriver

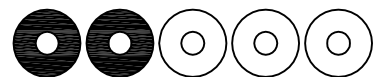
(Not Included)



2 - Persons  
Recommended



## ASSEMBLY RATING



EASY ————— DIFFICULT

The Assembly Rating is a 5-point system showing the level of effort needed to assemble a specific product.





FOA Intro

Thank you for your purchase!

We hope you enjoy this new addition to your home for many years to come.

Our commitment to providing quality products does not simply end when you purchase our product. We fully stand behind our products from start to finish. Our customer service department is available Monday – Friday 8:30 AM – 5:30 PM Pacific and can help with assembly questions as well as, if necessary, replacing damaged or missing parts. To help expedite our service, please have these assembly instructions readily available, along with your order receipt.


 **Consumer Hotline**  
Toll-Free 1-888-980-5122

 **Monday to Friday**  
8:30AM- 5:30PM (PST)

 **WEBSITE**  
[www.foagroup.com](http://www.foagroup.com)

 **E-MAIL**  
[cs.ec@foagroup.com](mailto:cs.ec@foagroup.com)

    foagroup

 FurnitureOfAmerica

---

## CHECK BEFORE STARTING

**Are you missing anything?**

Double-check all parts, hardware and accessories listed on Page 6 are accounted for.

**Check out our Quick Tips!**

We recommend reviewing the pre-assembly handouts. Even experts need a refresher now and then!

**Should we send any replacements?**

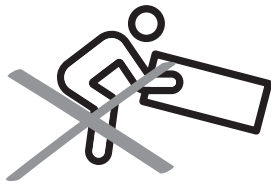
Are there any irregularities or flaws in the parts? We can send replacements!

**Prep Time!**

Please review the assembly instructions and all diagrams prior to assembling. Arrange parts as recommended on Page 7 and group identical hardware together to make assembling easier.

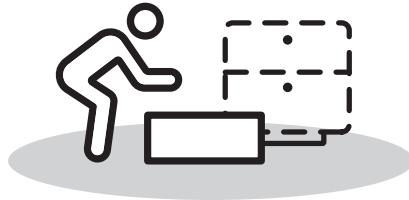
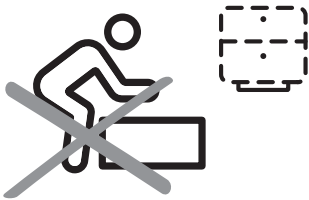
# PRE ASSEMBLY INTRODUCTION

We understand building ready-to-assemble furniture can be a challenging experience for some. To help avoid confusion, we have provided some helpful tips that may speed up the process.



## Teamwork

ALWAYS have at least two people to help with transporting and assembling the product to avoid potential injury and/or damage.



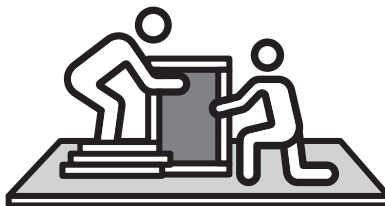
## Suitable Location

Assembling near the area of the intended location is highly recommended.



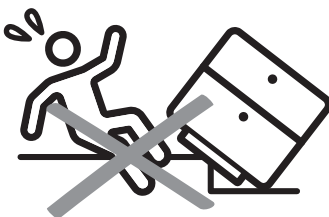
## Sufficient Space

Make sure you have enough space to move around during the assembly.



## Avoid Scratches

Use cardboard, blankets or a carpeted area while assembling furniture to prevent scratches.



## Flat Surface

Make sure the furniture rests on a flat and level surface with each leg evenly touching the floor.

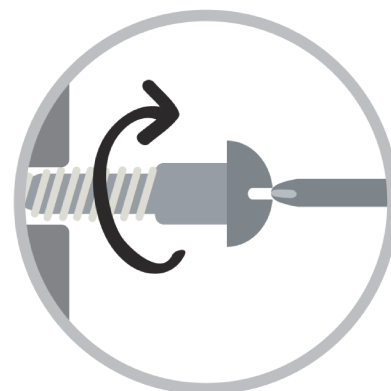
# ASSEMBLY AND CARE ADVICE



**FAILURE TO FOLLOW THE GUIDELINES BELOW MAY RESULT IN INJURY AND/OR PROPERTY DAMAGE.**



Position each part correctly and insert screws or bolts into their respective holes.



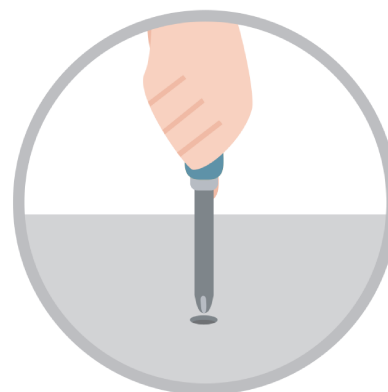
Turn clockwise to tighten and only tighten when step is completed or when instructed to do so.



Use the appropriate hand tools or power tools for assembly. Select steps, such as tightening screws and/or bolts, may require hand tools to avoid causing damage during assembly.



Save the instructions and store any supplied tools for later maintenance.



After two weeks, check and tighten any loose hardware and repeat again every six months thereafter.

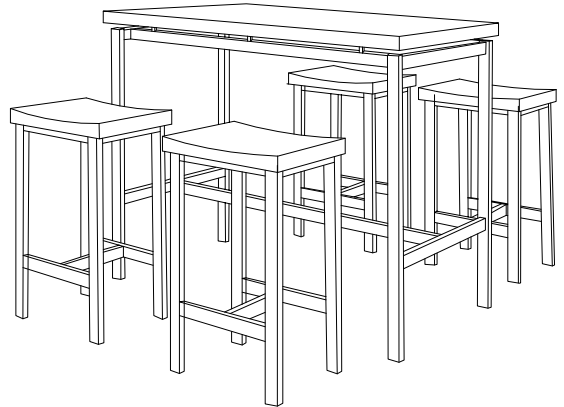
**IT IS THE USER'S RESPONSIBILITY TO MAINTAIN THE FURNITURE. THE HARDWARE MAY LOOSEN OVER TIME AND MAY CAUSE THE FURNITURE TO BE WOBBLY AND UNABLE TO SUPPORT ITS INTENDED WEIGHT CAPACITY. THIS MAY LEAD TO COLLAPSE AND MAY CAUSE SERIOUS INJURY.**

# TABLE AND CHAIR

CM3454PT-5PK



- Please keep instructions for future reference.
- Check the quantity and irregularity of parts and hardware before you start.



## PARTS

#1 2pcs

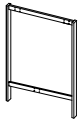


Table Leg

#2 2pcs



Table Leg Support

#3 1pc



Table Leg Bottom Support

#4 1pc

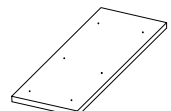


Table Top

#5 8pcs



Chair Leg

#6 8pcs



Chair Support Leg

#7 4pcs



Chair Bottom Support Leg

#8 4pcs



Seat Panel

## HARDWARE

#A 72pcs



Bolt 1/4" x 3/4"

#B 6pcs



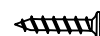
Bolt 1/4" x 3"

#C 6pcs



Flat Washer

#D 16pcs



Screw M5X1- 5/8"

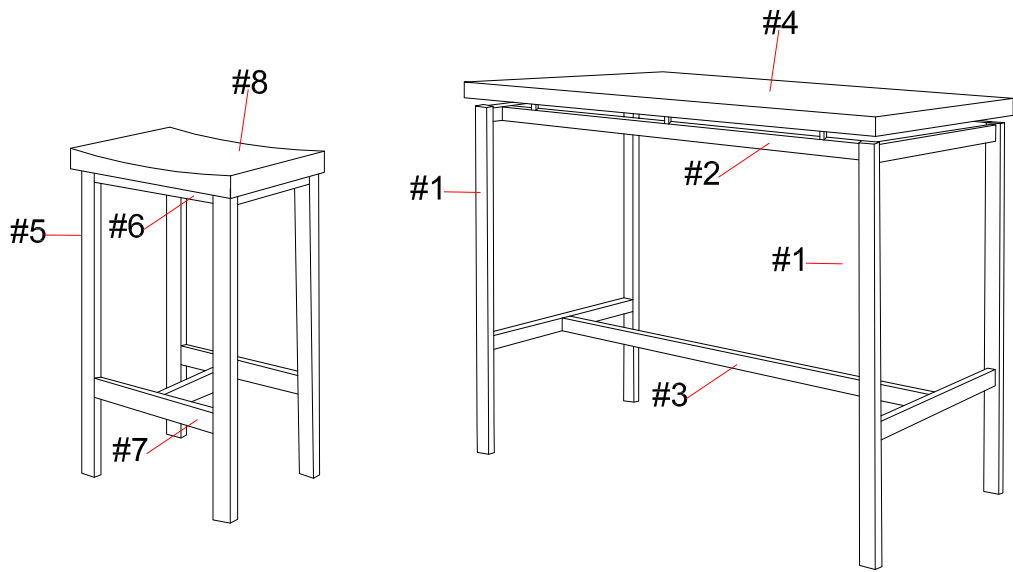
#E 1pc



Allen Wrench M4

# ASSEMBLY INSTRUCTIONS

1



2

Part #1 × 2pcs

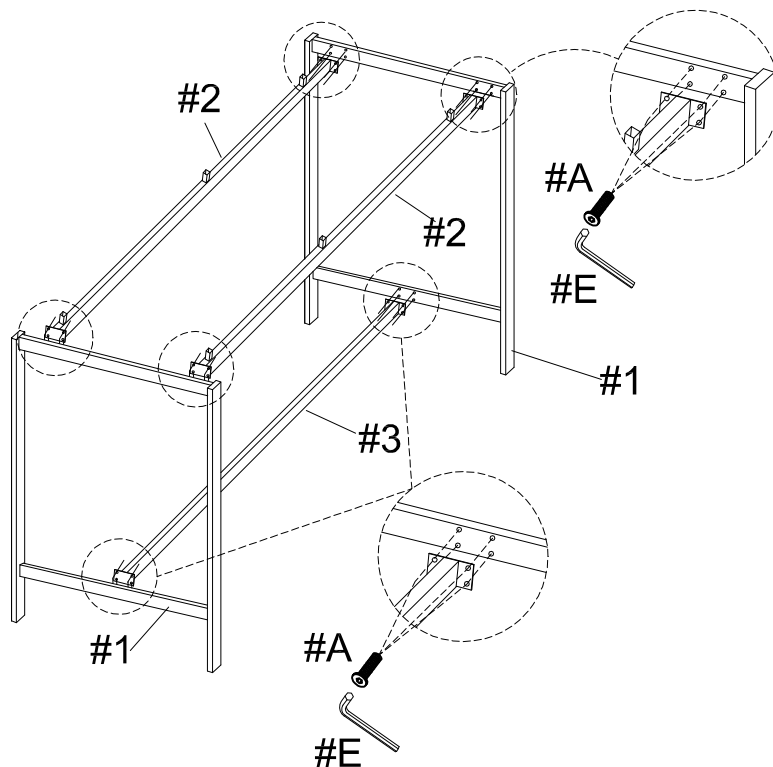
Part #2 × 2pcs

Part #3 × 1pc

Hardware #A × 24pcs

Hardware #E × 1pc

Align table leg supports(#2) and table leg bottom support(#3) to the holes of the table legs(#1).Secure by using bolts(#A).

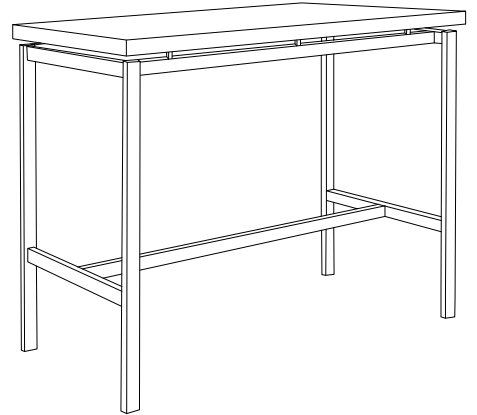
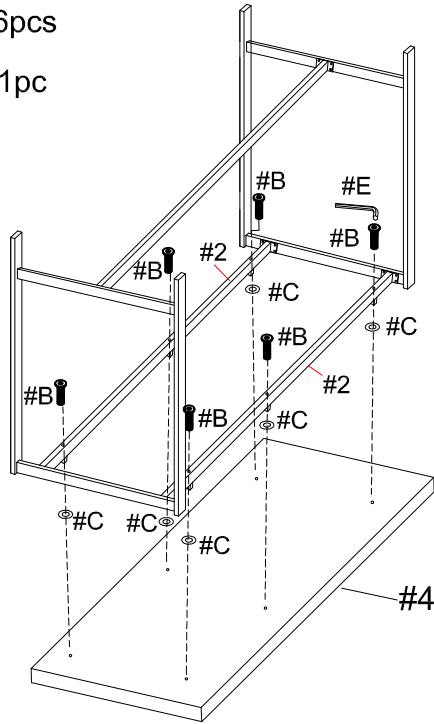


# ASSEMBLY INSTRUCTIONS

## 3

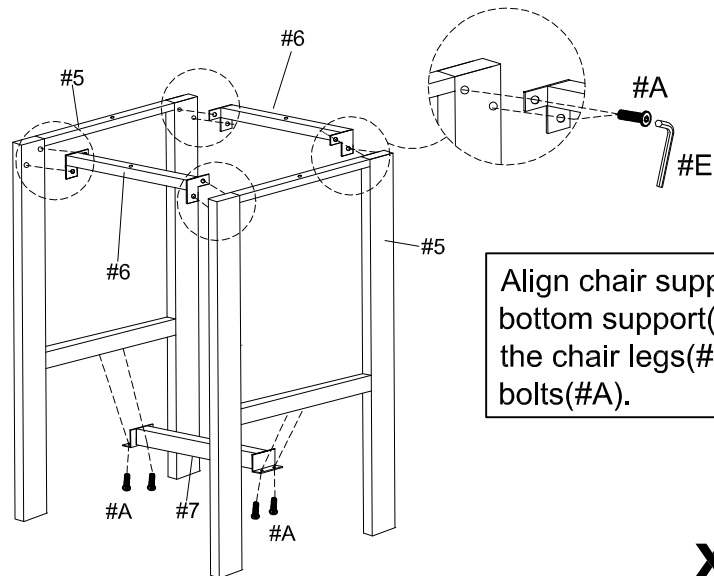
- Part #4 × 1pc
- Hardware #B × 6pcs
- Hardware #C × 6pcs
- Hardware #E × 1pc

Prepare 6 bolts assembly by inserting washer (#C) onto bolts(#B). Align table base to the table top(#4), then secure by using bolts(#B).



## 4

- Part #5 × 8pcs
- Part #6 × 8pcs
- Part #7 × 4pcs
- Hardware #A × 48pcs



Align chair support(#6) and chair bottom support(#7) to the holes for the chair legs(#5). Secure by using bolts(#A).

**x 4**

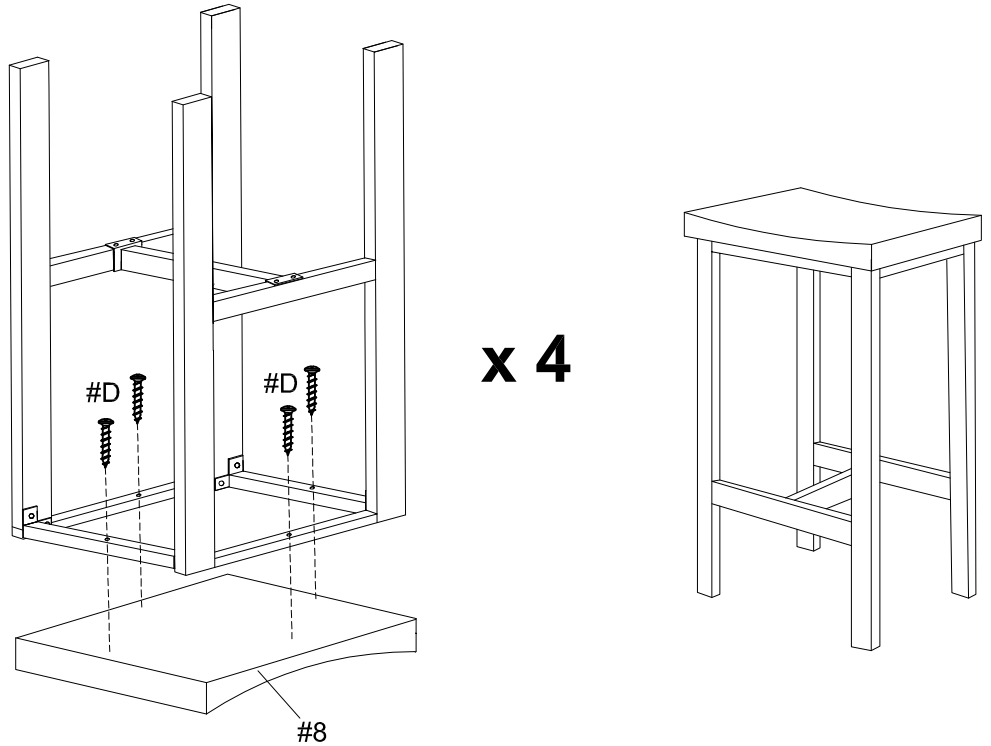
# ASSEMBLY INSTRUCTIONS

5

Align chair legs to the seat panel(#8), then secure by using screws(#D). There are no pre-drilled holes.

Part #8×4pcs

Hardware #D×16pcs



6

