



Furniture of America[®]

E-Commerce by Enitial Lab

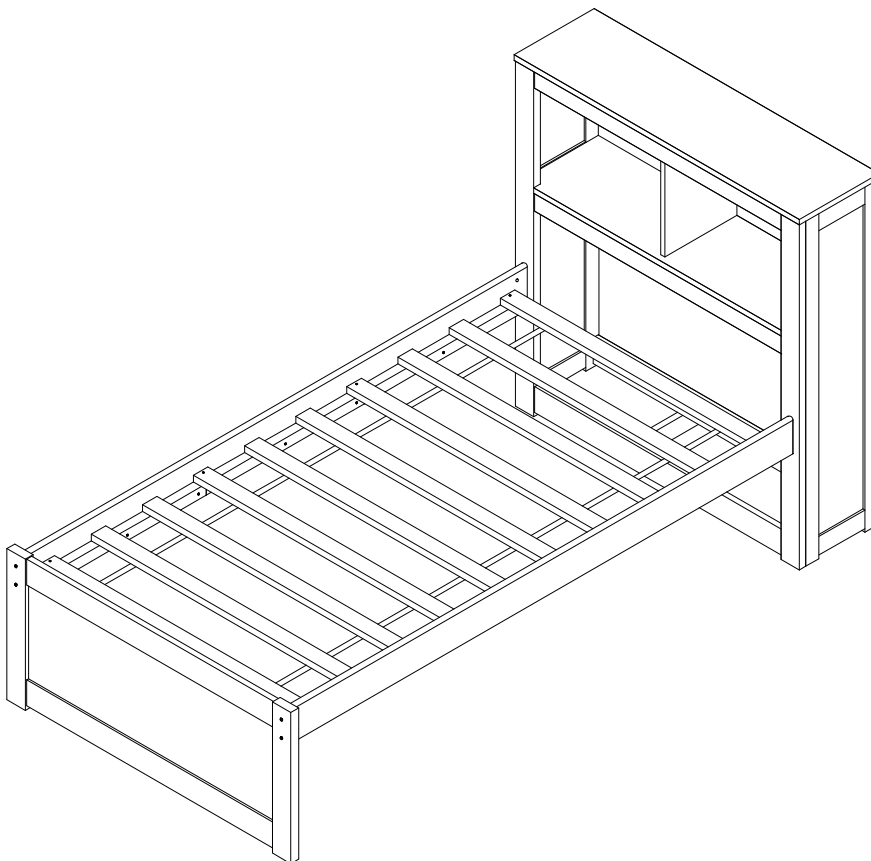
ASSEMBLY INSTRUCTIONS

MODEL #

CM1738T-1/2/3

Questions?

GIVE US CALL: 1-888-980-5122
MON-FRI 8:30AM - 5:30PM (PST)



TOOLS REQUIRED



Allen Wrench

(Included)



**Phillips
Screwdriver**

(Not Included)



**3 - People
Recommended**

ASSEMBLY RATING



EASY —————▶ DIFFICULT

The Assembly Rating is a 5-point system showing the level of effort needed to assemble a specific product.



FOA Intro

Thank you for your purchase!


We hope you enjoy this new addition to your home for many years to come.

Our commitment to providing quality products does not simply end when you purchase our product. We fully stand behind our products from start to finish. Our customer service department is available Monday – Friday 8:30 AM – 5:30 PM Pacific and can help with assembly questions as well as, if necessary, replacing damaged or missing parts. To help expedite our service, please have these assembly instructions readily available, along with your order receipt.

 **Consumer Hotline**
Toll-Free 1-888-980-5122

 **WEBSITE**
www.foagroup.com

    foagroup

 **Monday to Friday**
8:30AM- 5:30PM (PST)

 **E-MAIL**
cs.ec@foagroup.com

 FurnitureOfAmerica

CHECK BEFORE STARTING

Are you missing anything?

Double-check all parts, hardware and accessories listed on Page 6 are accounted for.

Should we send any replacements?

Are there any irregularities or flaws in the parts? We can send replacements!

Check out our Quick Tips!

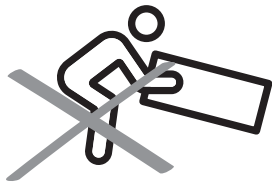
We recommend reviewing the pre-assembly handouts. Even experts need a refresher now and then!

Prep Time!

Please review the assembly instructions and all diagrams prior to assembling. Arrange parts as recommended on Page 7 and group identical hardware together to make assembling easier.

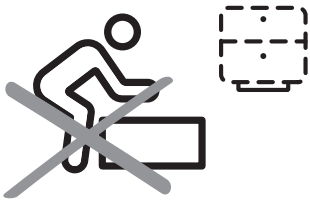
PRE ASSEMBLY INTRODUCTION

We understand building ready-to-assemble furniture can be a challenging experience for some. To help avoid confusion, we have provided some helpful tips that may speed up the process.



Teamwork

ALWAYS have at least two people to help with transporting and assembling the product to avoid potential injury and/or damage.



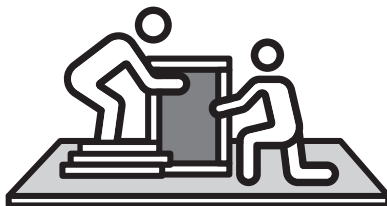
Suitable Location

Assembling near the area of the intended location is highly recommended.



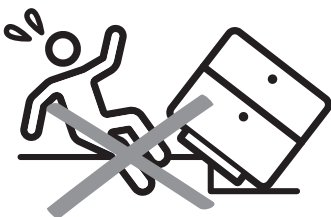
Sufficient Space

Make sure you have enough space to move around during the assembly.



Avoid Scratches

Use cardboard, blankets or a carpeted area while assembling furniture to prevent scratches.



Flat Surface

Make sure the furniture rests on a flat and level surface with each leg evenly touching the floor.

ASSEMBLY AND CARE ADVICE



FAILURE TO FOLLOW THE GUIDELINES BELOW MAY RESULT IN INJURY AND/OR PROPERTY DAMAGE.



Position each part correctly and insert screws or bolts into their respective holes.



Turn clockwise to tighten and only tighten when step is completed or when instructed to do so.



Use the appropriate hand tools or power tools for assembly. Select steps, such as tightening screws and/or bolts, may require hand tools to avoid causing damage during assembly.



Save the instructions and store any supplied tools for later maintenance.



After two weeks, check and tighten any loose hardware and repeat again every six months thereafter.

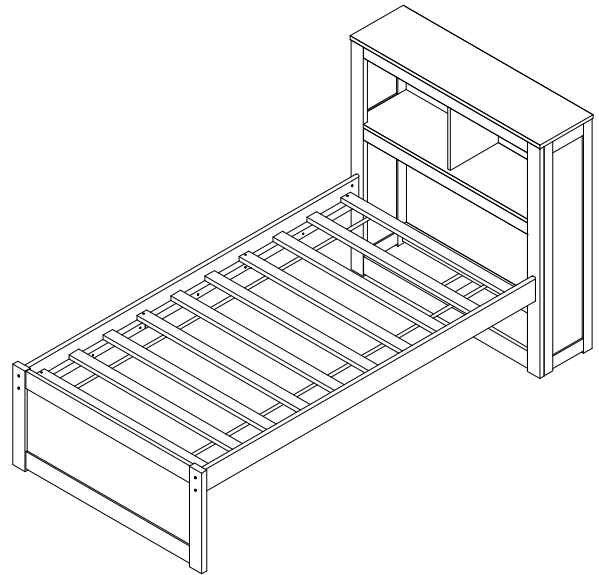
IT IS THE USER'S RESPONSIBILITY TO MAINTAIN THE FURNITURE. THE HARDWARE MAY LOOSEN OVER TIME AND MAY CAUSE THE FURNITURE TO BE WOBBLY AND UNABLE TO SUPPORT ITS INTENDED WEIGHT CAPACITY. THIS MAY LEAD TO COLLAPSE AND MAY CAUSE SERIOUS INJURY.

TWIN DAYBED

CM1738T-1/2/3

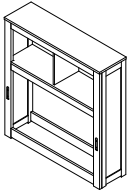


- Please keep instructions for future reference.
- Check the quantity and irregularity of parts and hardware before you start.



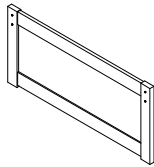
PARTS

#1 1pc



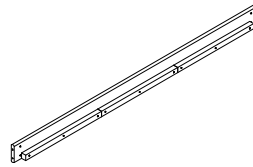
Headboard Bookcase

#2 1pc



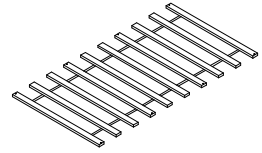
Footboard

#3 2pcs



Side Rail

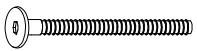
#4 1set (10pcs)



Full Slat Kit

HARDWARE

#A 8pcs



Bolt $\varnothing 1/4" \times 3-1/8"$

#B 8pcs



Barrel Nut $\varnothing 1/4" \times 1/2"$

#C 8pcs

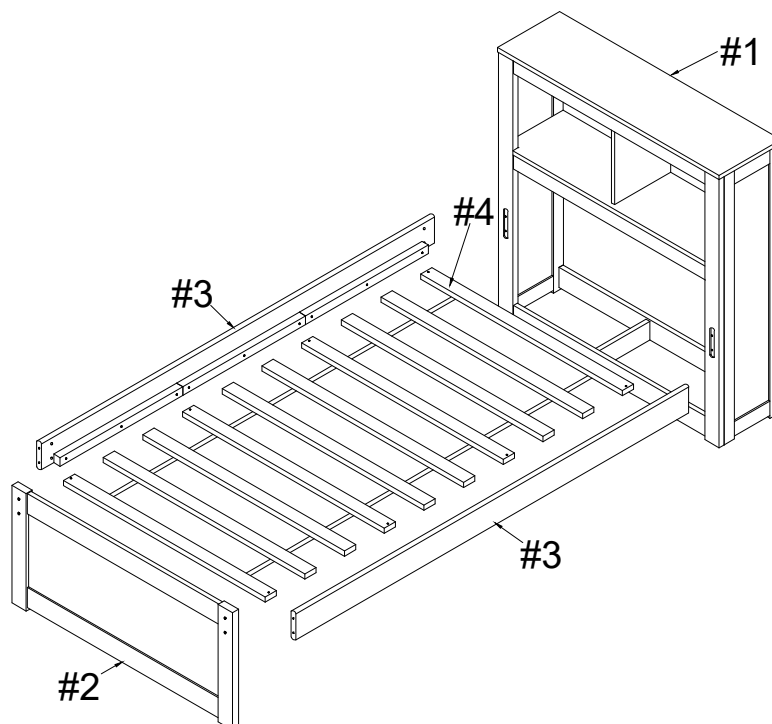


Screw #4x30mm

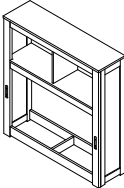
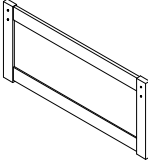


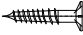

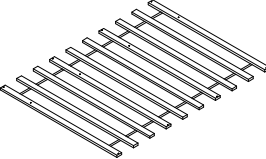
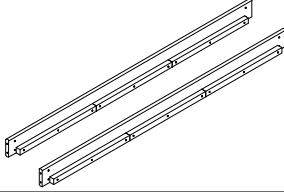
#D 1pc



Allen Wrench 4mm



CM1738T-1/2/3 is packed in 3 cases

Carton	Disignation	Part		Hardware
CM1738T-1/2/3-1	Headboard Bookcase	#1		
CM1738T-1/2/3-2	Footboard	#2		 #A x 8pcs  #B x 8pcs  #C x 8pcs  #D x 1pc
	Full Slat Kit	#4		
CM1738T-1/2/3-3	Side Rail	#3		

ASSEMBLY INSTRUCTIONS

1

Insert barrel nuts (#B) to the side holes of the side rails (#3). Align side rails (#3) to the holes of the headboard (#1) and footboard (#2), then secure by tightening bolts (#A) onto barrel nuts (#B).

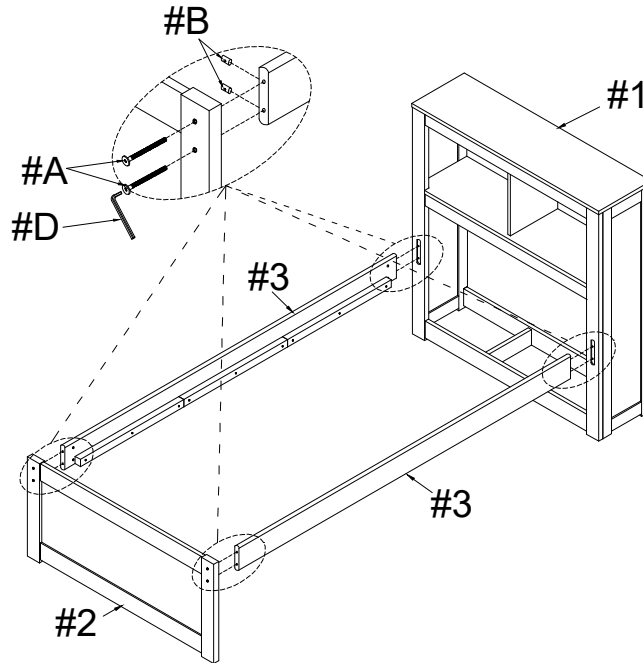
Part #1 x 1pc

Part #2 x 1pc

Part #3 x 2pcs

Hardware #A x 8pcs

Hardware #B x 8pcs

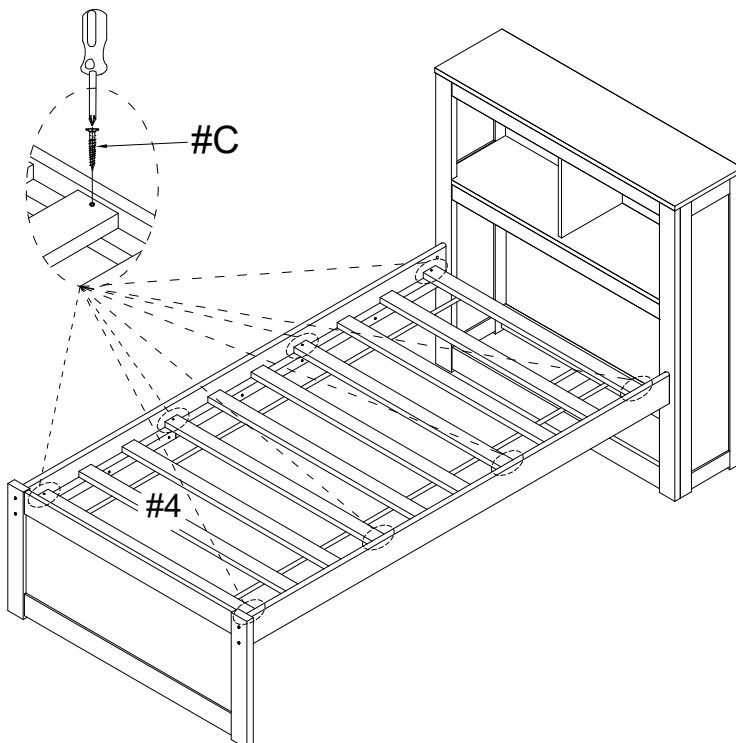


2

Part #4 x 1set

Hardware #C x 8pcs

Align slats (#4) to the side rails (#3), then secure by using screws (#C).



ASSEMBLY COMPLETED



Please ensure the furniture rests on an even and flat surface. If the product wobbles or feels loose, double-check all bolts and/or screws are properly tightened and secured.

✓ Keep this handy!

Please retain this instruction manual and any order-related information for future reference.

✓ Lift, don't drag!

To avoid damage to product please always LIFT the product when transporting or adjusting the placement.



Furniture of America[®]

E-Commerce by Enitial Lab

ASSEMBLY INSTRUCTIONS

MODEL #

CM1738T-4

Questions?

GIVE US CALL: 1-888-980-5122
MON-FRI 8:30AM - 5:30PM (PST)

TOOLS REQUIRED



Allen Wrench

(Included)



**Phillips
Screwdriver**

(Not Included)



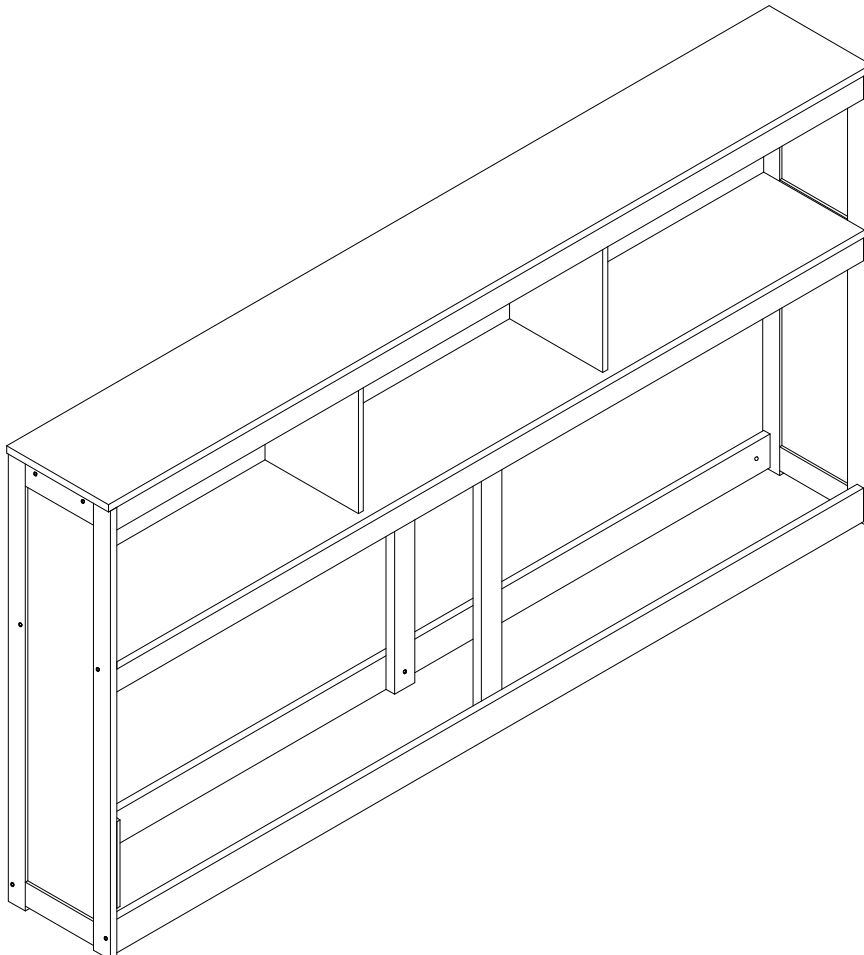
**3 - People
Recommended**

ASSEMBLY RATING



EASY —————▶ DIFFICULT

The Assembly Rating is a 5-point system showing the level of effort needed to assemble a specific product.






FOA Intro

Thank you for your purchase!


We hope you enjoy this new addition to your home for many years to come.

Our commitment to providing quality products does not simply end when you purchase our product. We fully stand behind our products from start to finish. Our customer service department is available Monday – Friday 8:30 AM – 5:30 PM Pacific and can help with assembly questions as well as, if necessary, replacing damaged or missing parts. To help expedite our service, please have these assembly instructions readily available, along with your order receipt.

 **Consumer Hotline**
Toll-Free 1-888-980-5122

 **WEBSITE**
www.foagroup.com

    foagroup

 **Monday to Friday**
8:30AM- 5:30PM (PST)

 **E-MAIL**
cs.ec@foagroup.com

 FurnitureOfAmerica

CHECK BEFORE STARTING

Are you missing anything?

Double-check all parts, hardware and accessories listed on Page 6 are accounted for.

Should we send any replacements?

Are there any irregularities or flaws in the parts? We can send replacements!

Check out our Quick Tips!

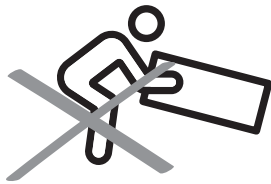
We recommend reviewing the pre-assembly handouts. Even experts need a refresher now and then!

Prep Time!

Please review the assembly instructions and all diagrams prior to assembling. Arrange parts as recommended on Page 7 and group identical hardware together to make assembling easier.

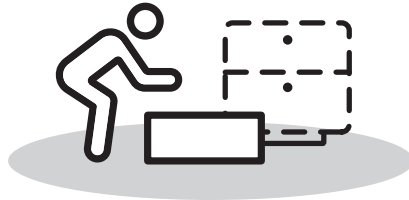
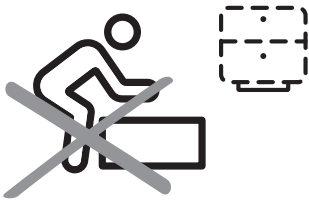
PRE ASSEMBLY INTRODUCTION

We understand building ready-to-assemble furniture can be a challenging experience for some. To help avoid confusion, we have provided some helpful tips that may speed up the process.



Teamwork

ALWAYS have at least two people to help with transporting and assembling the product to avoid potential injury and/or damage.



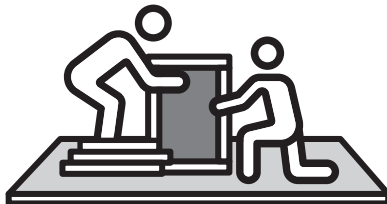
Suitable Location

Assembling near the area of the intended location is highly recommended.



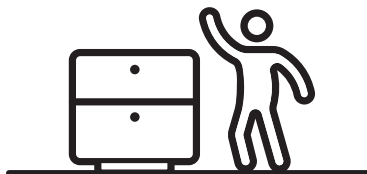
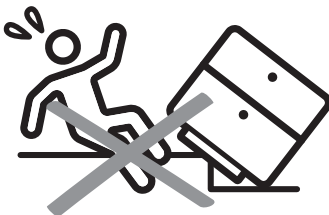
Sufficient Space

Make sure you have enough space to move around during the assembly.



Avoid Scratches

Use cardboard, blankets or a carpeted area while assembling furniture to prevent scratches.



Flat Surface

Make sure the furniture rests on a flat and level surface with each leg evenly touching the floor.

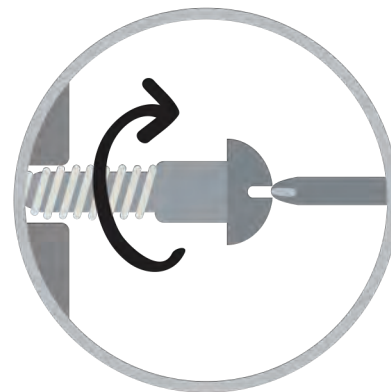
ASSEMBLY AND CARE ADVICE



FAILURE TO FOLLOW THE GUIDELINES BELOW MAY RESULT IN INJURY AND/OR PROPERTY DAMAGE.



Position each part correctly and insert screws or bolts into their respective holes.



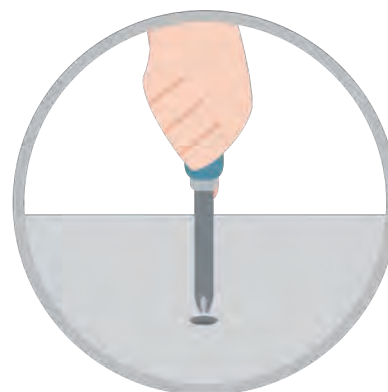
Turn clockwise to tighten and only tighten when step is completed or when instructed to do so.



Use the appropriate hand tools or power tools for assembly. Select steps, such as tightening screws and/or bolts, may require hand tools to avoid causing damage during assembly.



Save the instructions and store any supplied tools for later maintenance.



After two weeks, check and tighten any loose hardware and repeat again every six months thereafter.

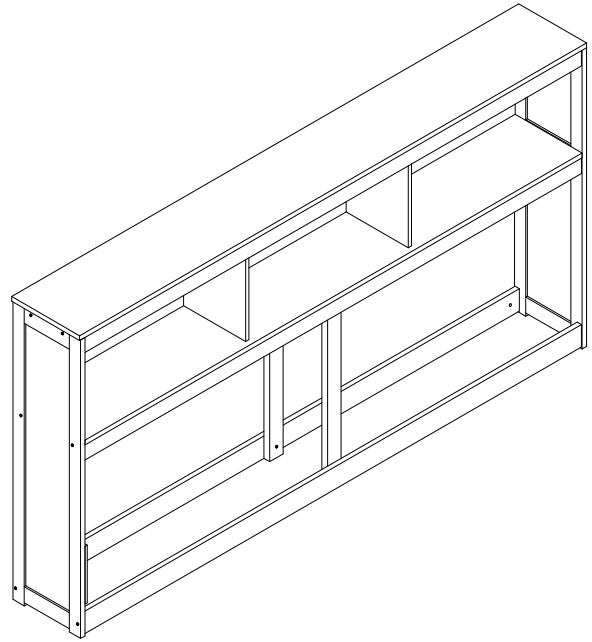
IT IS THE USER'S RESPONSIBILITY TO MAINTAIN THE FURNITURE. THE HARDWARE MAY LOOSEN OVER TIME AND MAY CAUSE THE FURNITURE TO BE WOBBLY AND UNABLE TO SUPPORT ITS INTENDED WEIGHT CAPACITY. THIS MAY LEAD TO COLLAPSE AND MAY CAUSE SERIOUS INJURY.

BOOKCASE

CM1738T-4

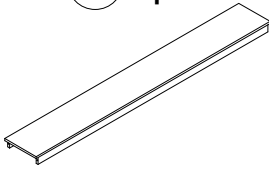


- Please keep instructions for future reference.
- Check the quantity and irregularity of parts and hardware before you start.



PARTS

#1 1pc



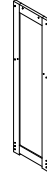
Top Panel

#2 1pc



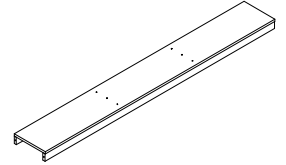
Side Panel
(Left)

#3 1pc



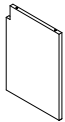
Side Panel
(Right)

#4 1pc



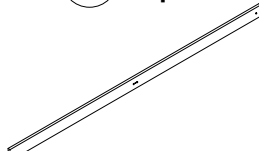
Horizontal Panel

#5 2pcs



Center Vertical
Panel

#6 2pcs



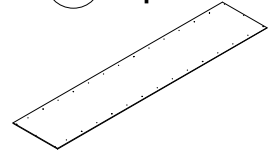
Horizontal Bar
Cabinets

#7 2pcs



Support Rail

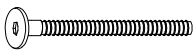
#8 1pc



Back Panel

HARDWARE

#A 4pcs



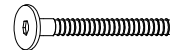
Bolt
Ø1/4" x 3-1/8"

#B 8pcs



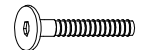
Barrel Nut
Ø1/4" x 1/2"

#C 4pcs



Bolt
Ø1/4" x 2-1/4"

#D 12pcs



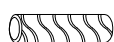
Bolt
Ø1/4" x 1-3/8"

#E 22pcs



Dowel
Ø10 x 40mm

#F 8pcs



Dowel
Ø10 x 30mm

#G 36pcs



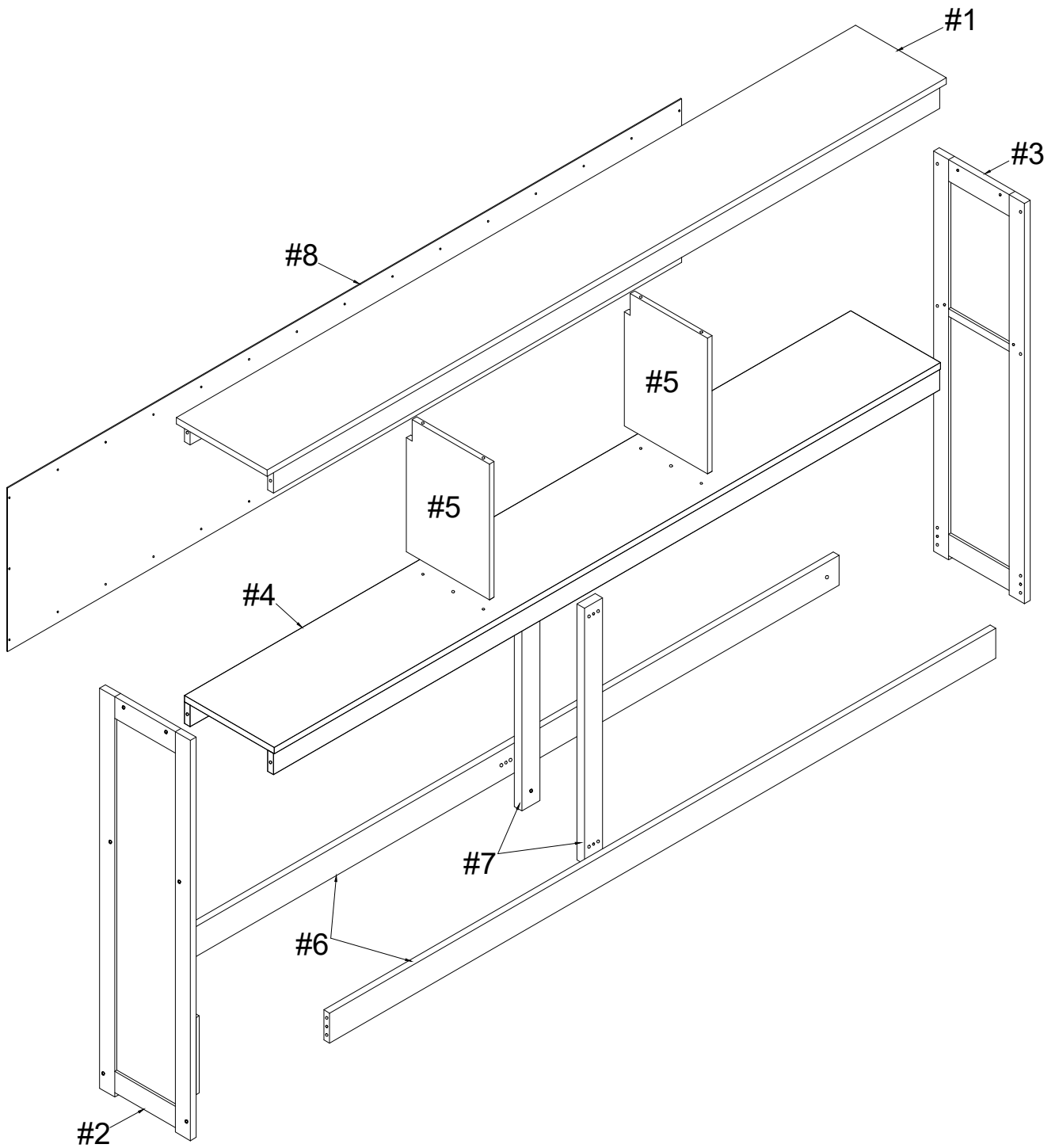
Screw
#4 x 15mm

#H 1pc



Allen Wrench
4mm

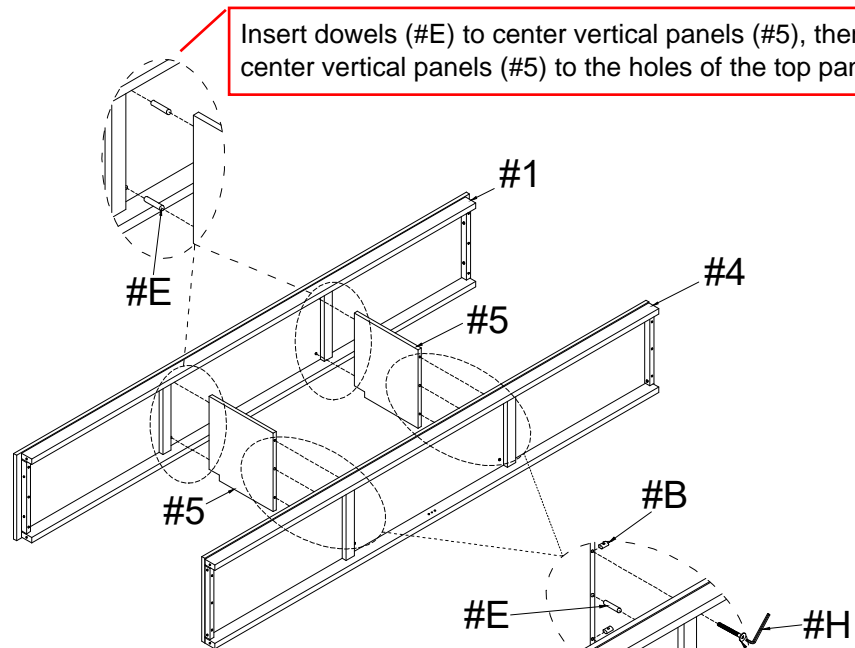
Exploded View



ASSEMBLY INSTRUCTIONS

1

- Part #1 x 1pc
- Part #4 x 1pc
- Part #5 x 2pcs
- Hardware #B x 4pcs
- Hardware #C x 4pcs
- Hardware #E x 6pcs

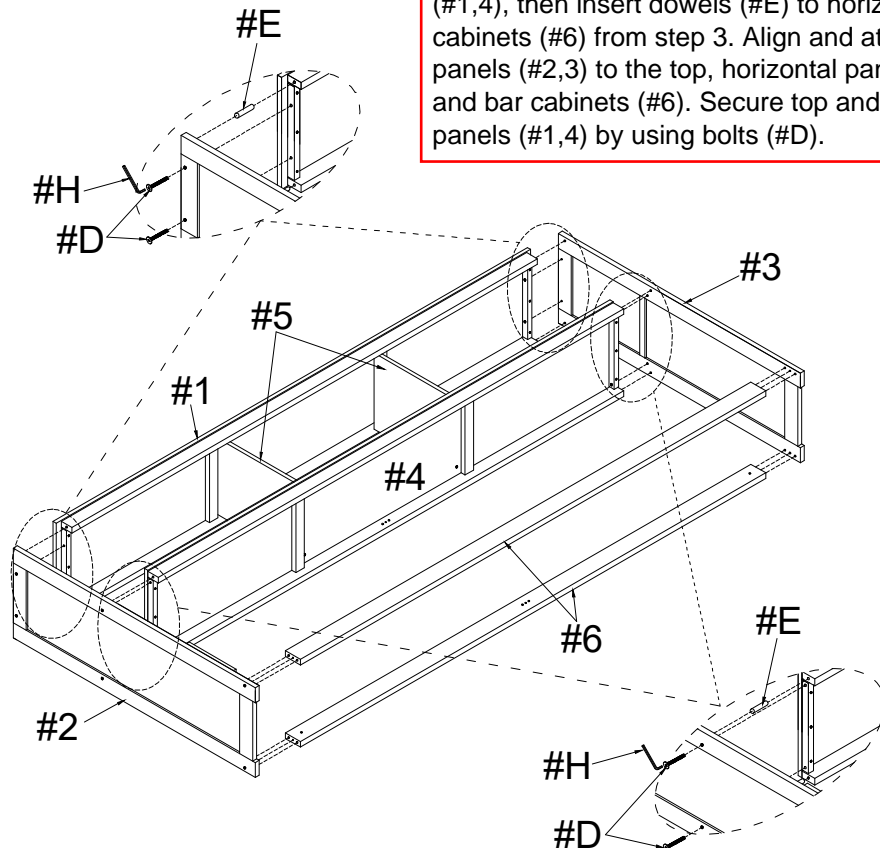


Insert dowels (#E) to center vertical panels (#5), then align center vertical panels (#5) to the holes of the top panel (#1).

Insert dowels (#E) and barrel nuts (#B) to center vertical panels (#5), then align center vertical panels (#5) to the holes of the horizontal panel (#4). Secure by using bolts (#C).

2

- Part #2 x 1pc
- Part #3 x 1pc
- Part #6 x 2pcs
- Hardware #D x 8pcs
- Hardware #E x 8pcs



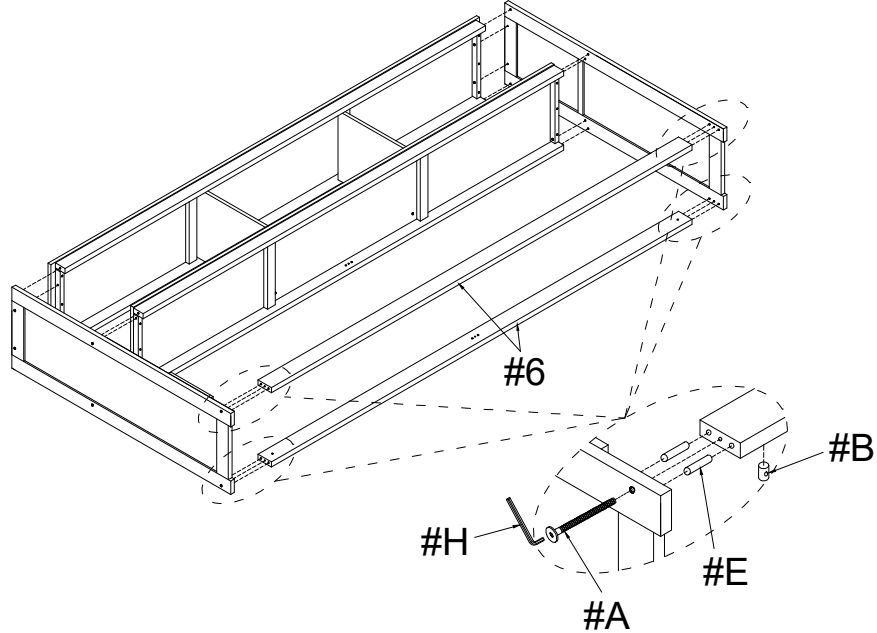
Insert dowels (#E) to top and horizontal panels (#1,4), then insert dowels (#E) to horizontal bar cabinets (#6) from step 3. Align and attach side panels (#2,3) to the top, horizontal panels (#1,4) and bar cabinets (#6). Secure top and horizontal panels (#1,4) by using bolts (#D).

ASSEMBLY INSTRUCTIONS

3

- Hardware #A x 4pcs
- Hardware #B x 4pcs
- Hardware #E x 8pcs

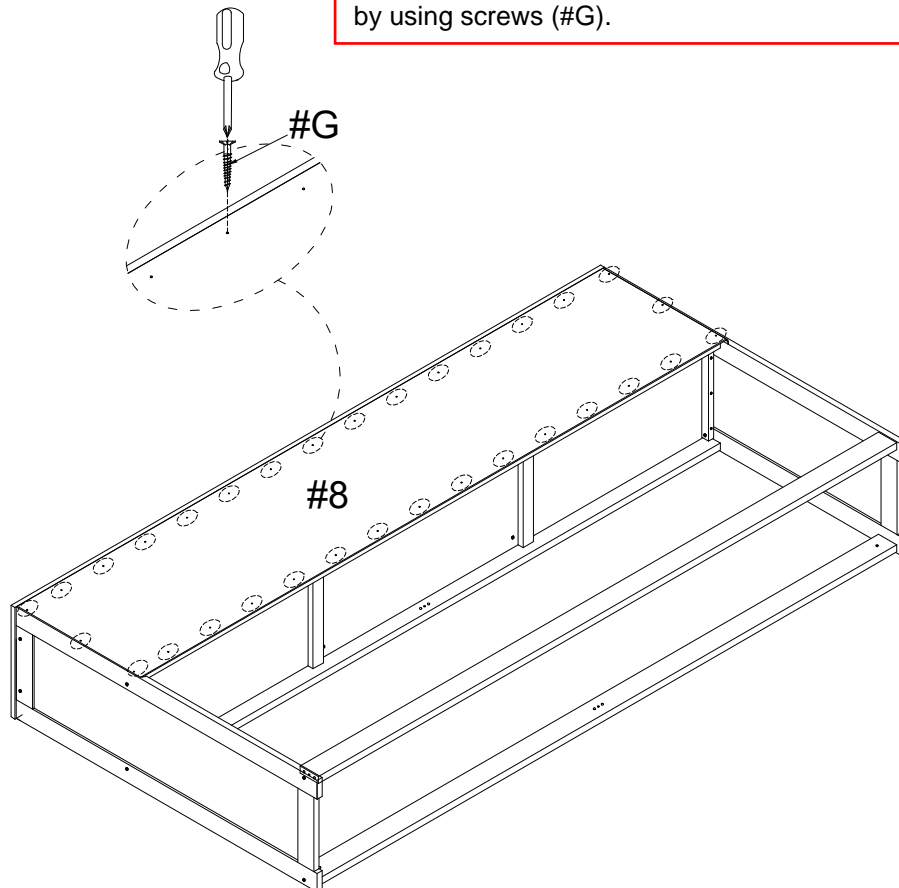
Insert barrel nuts (#B) to horizontal bars (#6), then secure by tightening bolts (#A) to barrel nuts (#B).



4

- Part #8 x 1pc
- Hardware #G x 32pcs

Align back panel (#8) to the back of the unit, then secure by using screws (#G).



ASSEMBLY INSTRUCTIONS

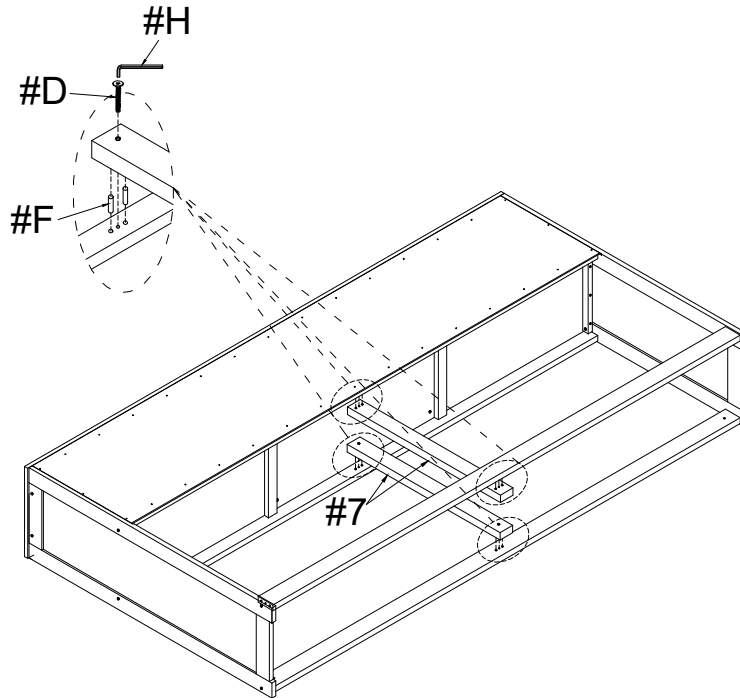
5

Insert dowels (#F) to the support rails (#7), then attach support rails (#7) to unit. Secure by using bolts (#D).

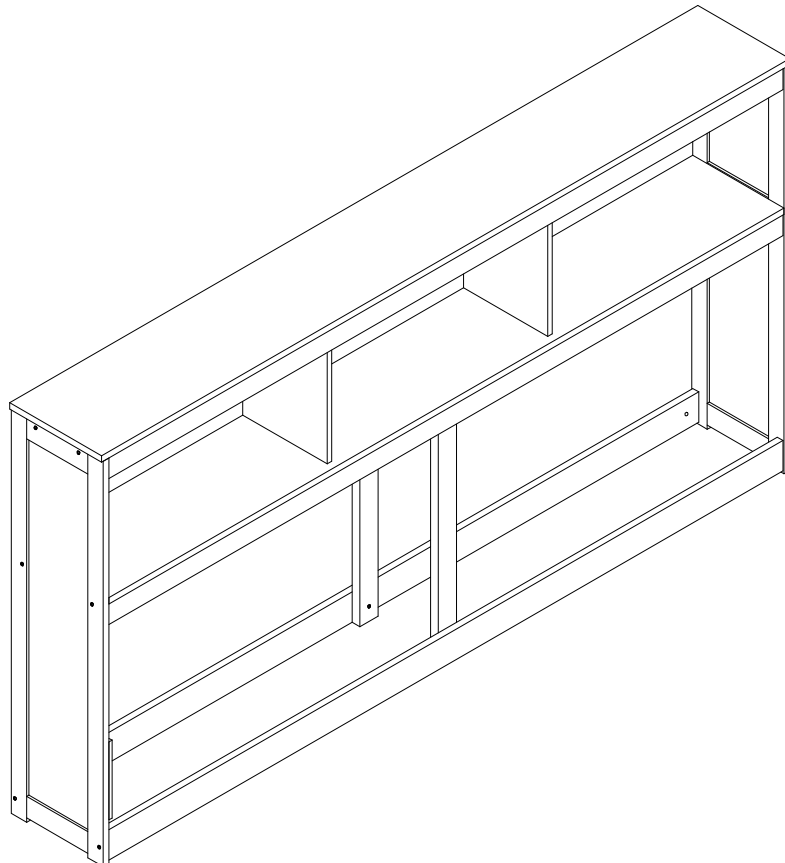
Part (#7) x 2pcs

Hardware (#D) x 4pcs

Hardware (#F) x 8pcs



6

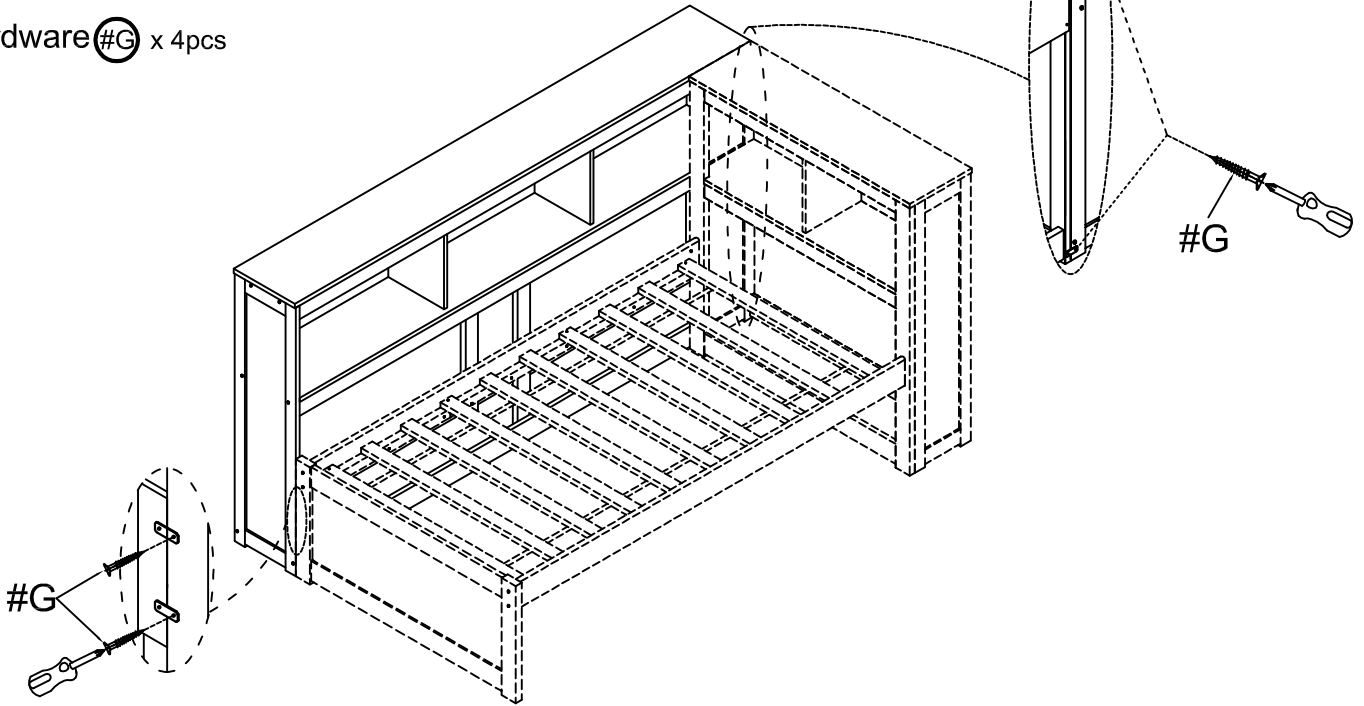


ASSEMBLY INSTRUCTIONS

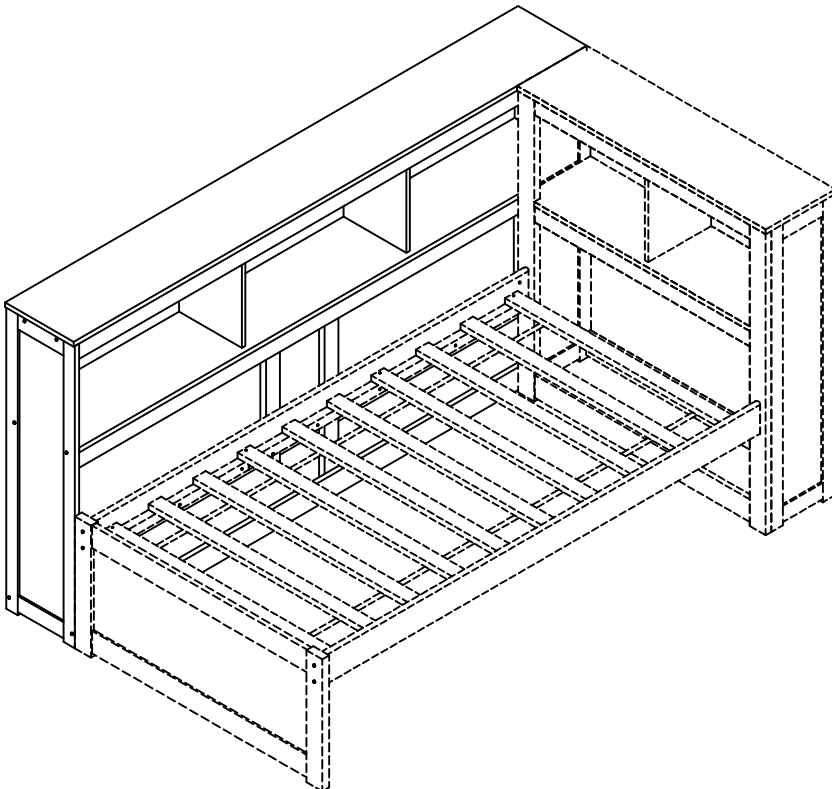
Secure both bed and shelves together by using screws (#G).

7

Hardware  x 4pcs



8



ASSEMBLY COMPLETED



Please ensure the furniture rests on an even and flat surface. If the product wobbles or feels loose, double-check all bolts and/or screws are properly tightened and secured.



Keep this handy!

Please retain this instruction manual and any order-related information for future reference.



Lift, don't drag!

To avoid damage to product please always LIFT the product when transporting or adjusting the placement.