



Furniture of America[®]

E-Commerce by Enitial Lab

ASSEMBLY INSTRUCTIONS

MODEL #

CM-GM347T

Questions?

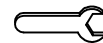
GIVE US CALL: 1-888-980-5122
MON-FRI 8:30AM - 5:30PM (PST)

TOOLS REQUIRED



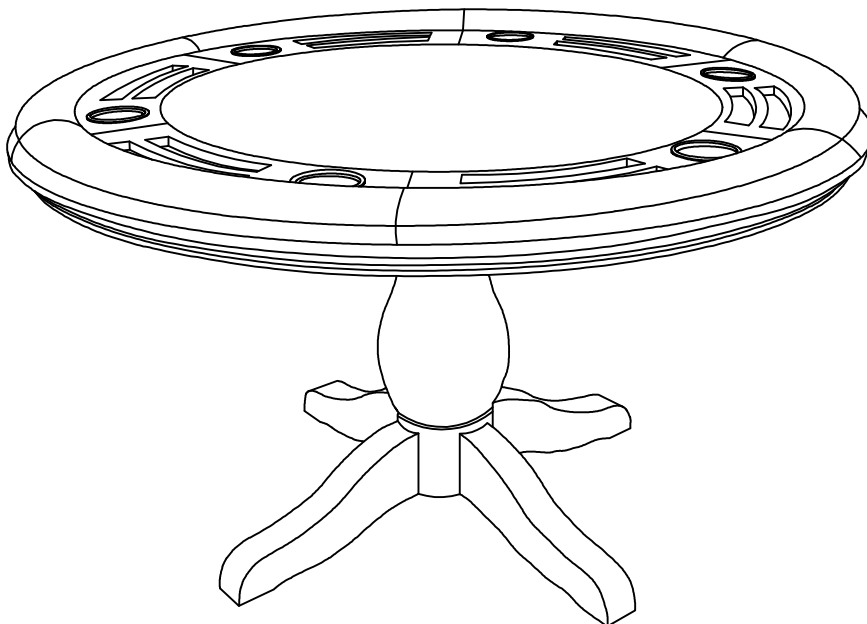
Allen Wrench

(Included)



Wrench

(Included)



2 - Persons
Recommended

ASSEMBLY RATING



EASY —————> DIFFICULT

The Assembly Rating is a 5-point system showing the level of effort needed to assemble a specific product.




FOA Intro

Thank you for your purchase!

We hope you enjoy this new addition to your home for many years to come.

Our commitment to providing quality products does not simply end when you purchase our product. We fully stand behind our products from start to finish. Our customer service department is available Monday – Friday 8:30 AM – 5:30 PM Pacific and can help with assembly questions as well as, if necessary, replacing damaged or missing parts. To help expedite our service, please have these assembly instructions readily available, along with your order receipt.

 **Consumer Hotline**
Toll-Free 1-888-980-5122

 **Monday to Friday**
8:30AM- 5:30PM (PST)

 **WEBSITE**
www.foagroup.com

 **E-MAIL**
cs.ec@foagroup.com

    foagroup

 FurnitureOfAmerica

CHECK BEFORE STARTING

Are you missing anything?

Double-check all parts, hardware and accessories listed on Page 6 are accounted for.

Check out our Quick Tips!

We recommend reviewing the pre-assembly handouts. Even experts need a refresher now and then!

Should we send any replacements?

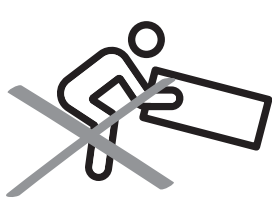
Are there any irregularities or flaws in the parts? We can send replacements!

Prep Time!

Please review the assembly instructions and all diagrams prior to assembling. Arrange parts as recommended on Page 7 and group identical hardware together to make assembling easier.

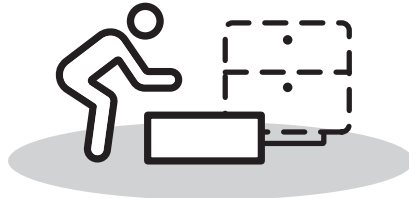
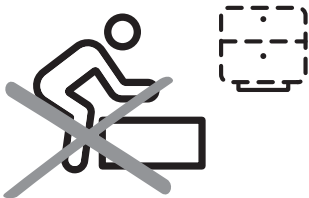
PRE ASSEMBLY INTRODUCTION

We understand building ready-to-assemble furniture can be a challenging experience for some. To help avoid confusion, we have provided some helpful tips that may speed up the process.



Teamwork

ALWAYS have at least two people to help with transporting and assembling the product to avoid potential injury and/or damage.



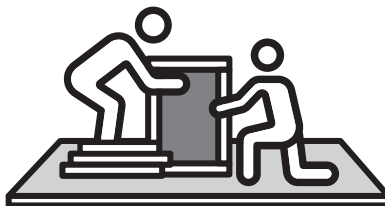
Suitable Location

Assembling near the area of the intended location is highly recommended.



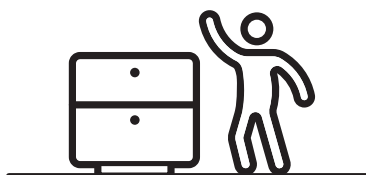
Sufficient Space

Make sure you have enough space to move around during the assembly.



Avoid Scratches

Use cardboard, blankets or a carpeted area while assembling furniture to prevent scratches.



Flat Surface

Make sure the furniture rests on a flat and level surface with each leg evenly touching the floor.

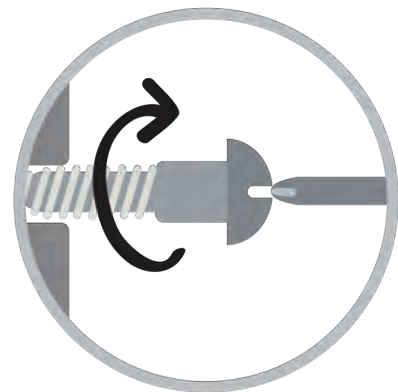
ASSEMBLY AND CARE ADVICE



FAILURE TO FOLLOW THE GUIDELINES BELOW MAY RESULT IN INJURY AND/OR PROPERTY DAMAGE.



Position each part correctly and insert screws or bolts into their respective holes.



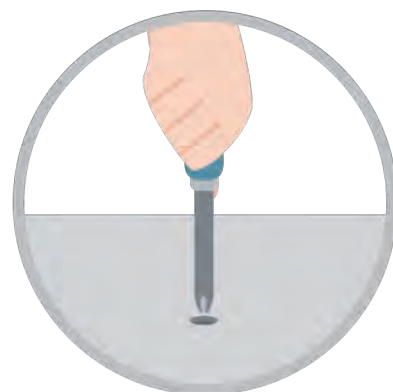
Turn clockwise to tighten and only tighten when step is completed or when instructed to do so.



Use the appropriate hand tools or power tools for assembly. Select steps, such as tightening screws and/or bolts, may require hand tools to avoid causing damage during assembly.



Save the instructions and store any supplied tools for later maintenance.



After two weeks, check and tighten any loose hardware and repeat again every six months thereafter.

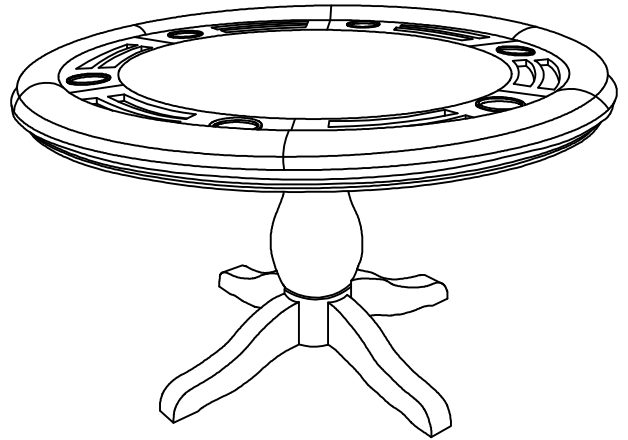
IT IS THE USER'S RESPONSIBILITY TO MAINTAIN THE FURNITURE. THE HARDWARE MAY LOOSEN OVER TIME AND MAY CAUSE THE FURNITURE TO BE WOBBLY AND UNABLE TO SUPPORT ITS INTENDED WEIGHT CAPACITY. THIS MAY LEAD TO COLLAPSE AND MAY CAUSE SERIOUS INJURY.

GAME TABLE

CM-GM347T



- Please keep instructions for future reference.
- Check the quantity and irregularity of parts and hardware before you start.



PARTS

#1 1pc



Table Top

#2 1pc

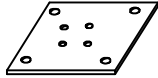


Table Top Support Panel

#3 1pc



Base

#4 4pcs



Leg

HARDWARE

#A 16pcs



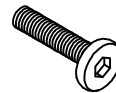
Flat Washer
Ø5/16" x 22mm

#B 16pcs



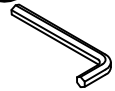
Lock Washer Ø5/16"

#C 4pcs



Bolt 5/16" x 2"

#D 1pc



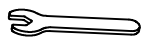
Allen Wrench M5

#E 12pcs



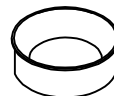
Nut Ø5/16"

#F 1pc







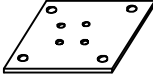






Wrench

#G 6pcs



Cork Coaster

CM-GM347T Points 2 cartons

Carton	Designation	Part		Hardware
CM-GM347T-1	Table Top	#1		#A  16pcs #B  16pcs #C  4pcs
	Table Top Support Panel	#2		#D  1pc #E  12pcs #F  1pc
	Leg	#4		#G  6pcs
CM-GM347T-2	Base	#3		

ASSEMBLY INSTRUCTIONS

1

Part (#3) x 1pc

Part (#4) x 4pcs

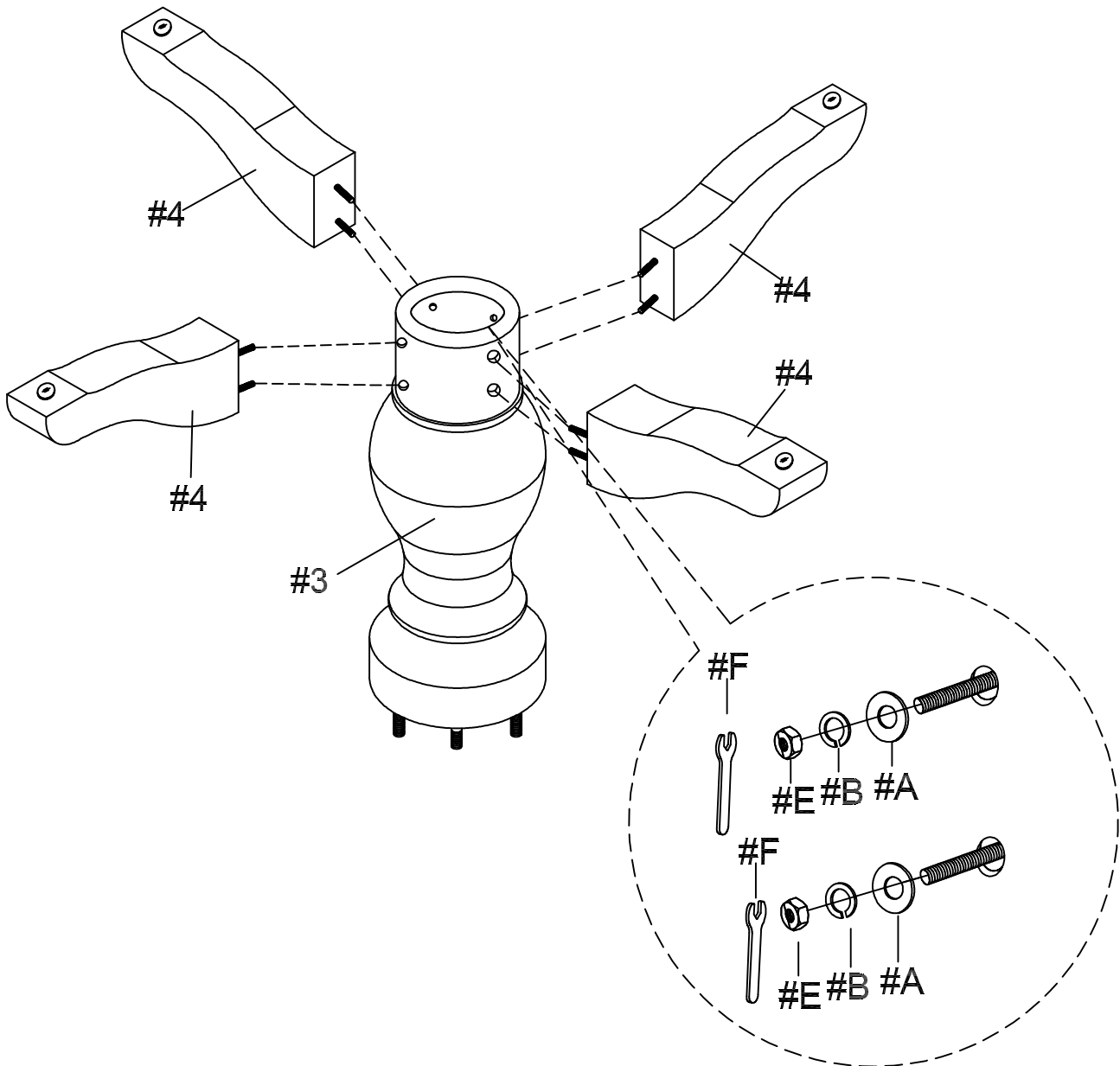
Hardware (#A) x 8pcs

Hardware (#B) x 8pcs

Hardware (#E) x 8pcs

Hardware (#F) x 1pc

Align and insert the threaded bolts of the legs (#4) through the holes of the base (#3).
Secure by inserting flat washer (#A), lock washer (#B), then tighten with hex nut (#E).

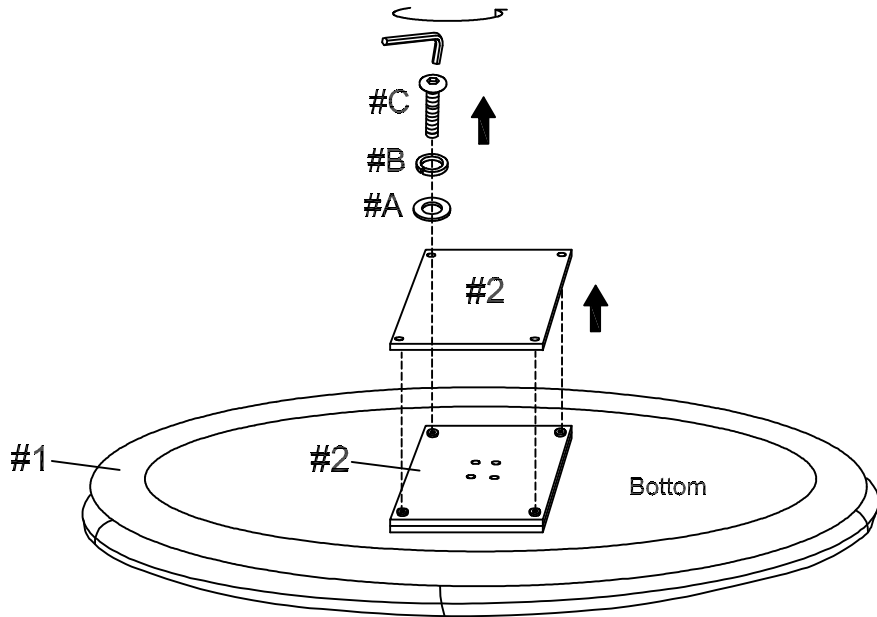


ASSEMBLY INSTRUCTIONS

Detach table top support panel (#2) by unscrewing the bolts (#C) from the table top (#1).

2

Part (#1) x 1pc



3

Part (#2) x 1pc

Hardware (#A) x 4pcs

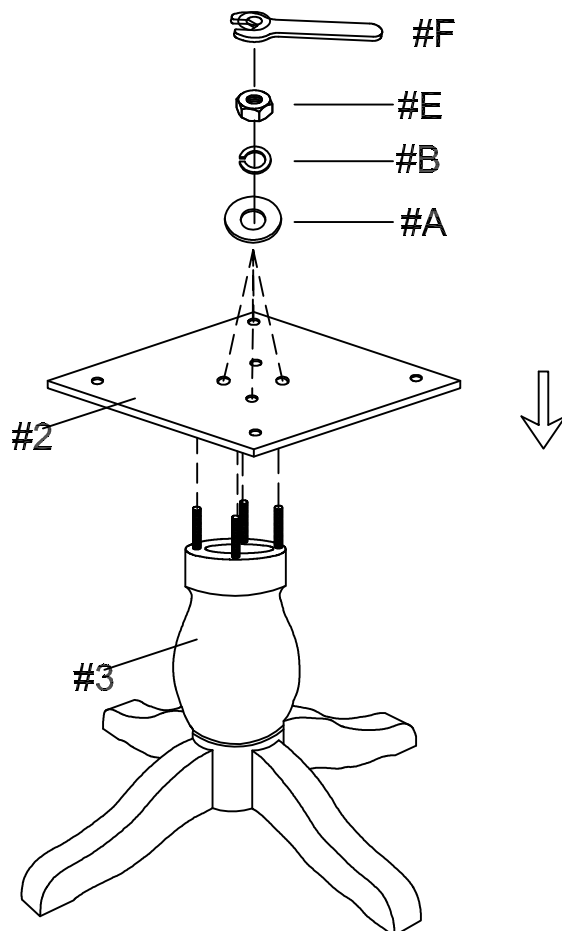
Hardware (#B) x 4pcs

Hardware (#E) x 4pcs

Hardware (#F) x 1pc

Align the table top support panel (#2) to the threaded bolts of the base (#3).

Secure by inserting flat washer (#A), lock washer (#B), then tighten with hex nut (#E).



ASSEMBLY INSTRUCTIONS

4

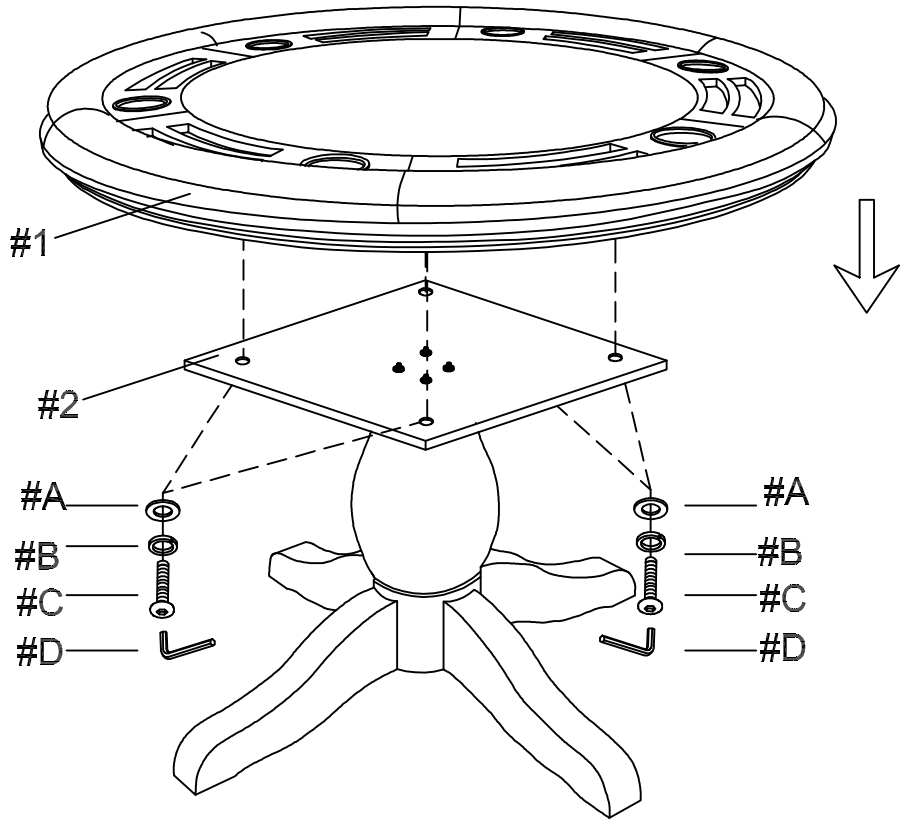
Hardware (#A) x 4pcs

Hardware (#B) x 4pcs

Hardware (#E) x 4pcs

Hardware (#D) x 1pc

Prepare 4 bolts assembly by inserting lock washer (#B), then flat washer (#A) onto bolts (#C). Align table top (#1) to the holes of the table top support panel (#2), then secure with bolts (#C).



5

Hardware (#G) x 6pcs

ASSEMBLY COMPLETED



Please ensure the furniture rests on an even and flat surface. If the product wobbles or feels loose, double-check all bolts and/or screws are properly tightened and secured.

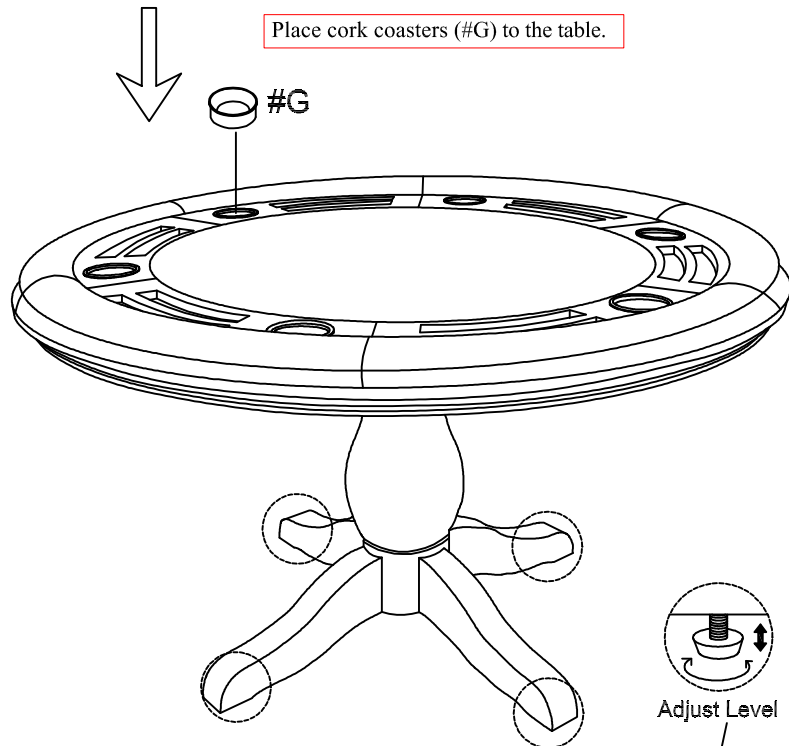
✓ Keep this handy!

Please retain this instruction manual and any order-related information for future reference.

✓ Lift, don't drag!

To avoid damage to product please always LIFT the product when transporting or adjusting the placement.

Place cork coasters (#G) to the table.



Adjust the adjustable floor protector according to ground level.