











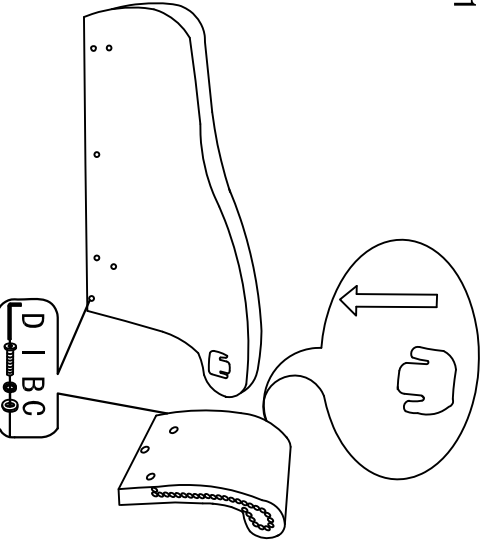
ASSEMBLY INSTRUCTION

PARTS LIST

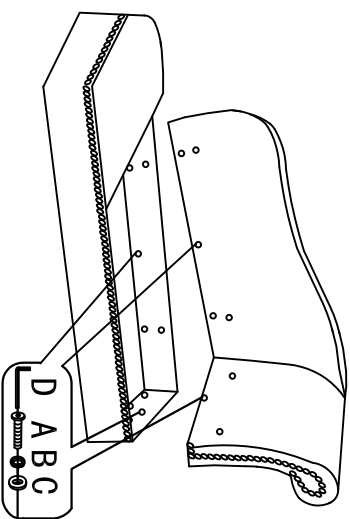
SET UP

NO	Drawing	Description	Q. TY
A		5/16*2-1/4"	8
I		5/16*2"	1
B			9
C			9
D			1
E		Arm Rest	1
F		Cushion	1
G		Chair Head	1
H		Leg	8
J		Screw	8

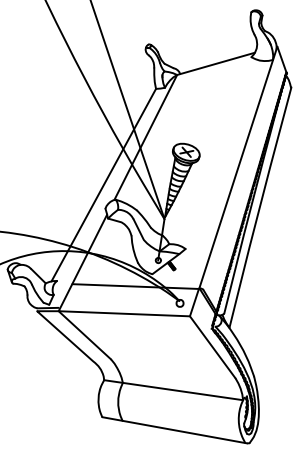
STEP 1



STEP 2



STEP 3



Then fixed the leg with 2 screws

First Leg with Screw bolts, pls Screw it into the hole

