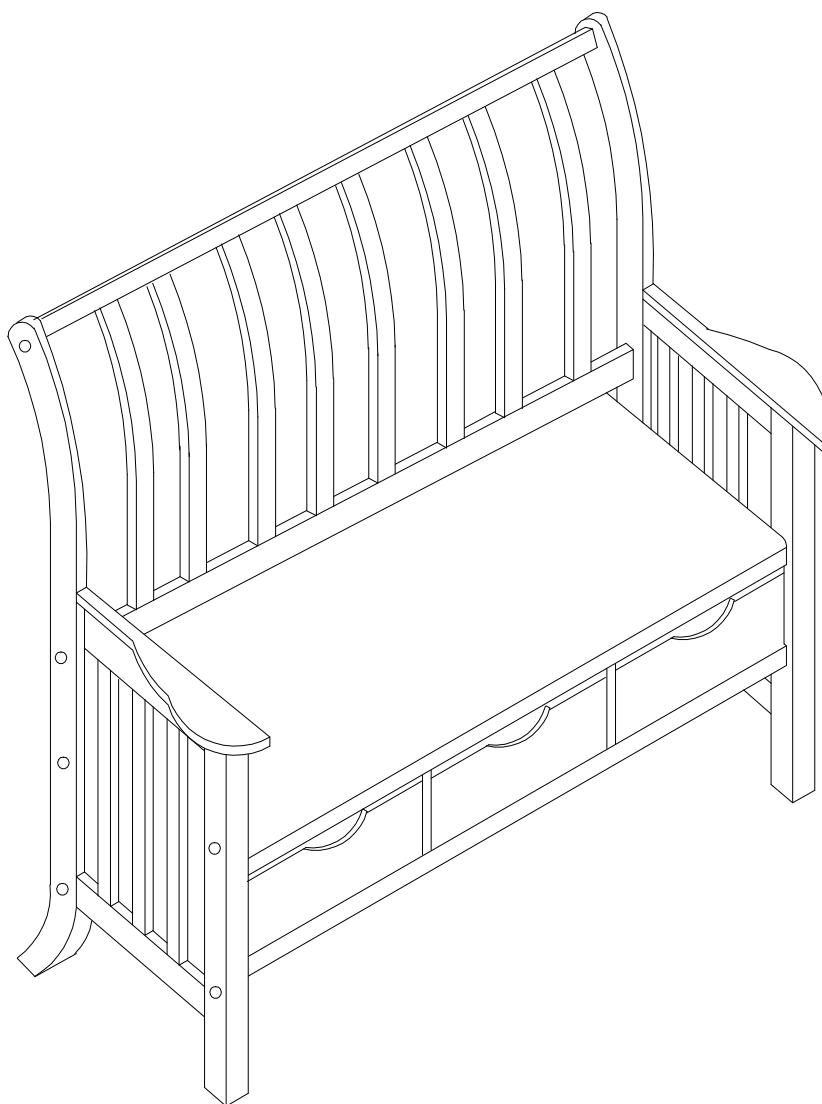


# **ASSEMBLY INSTRUCTION**




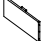

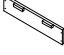
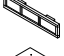

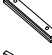
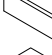
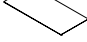
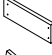


**ITEM NO #:CM-BN6300**





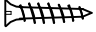






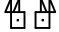
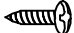
# ASSEMBLY INSTRUCTION

ITEM NO #:CM-BN6300

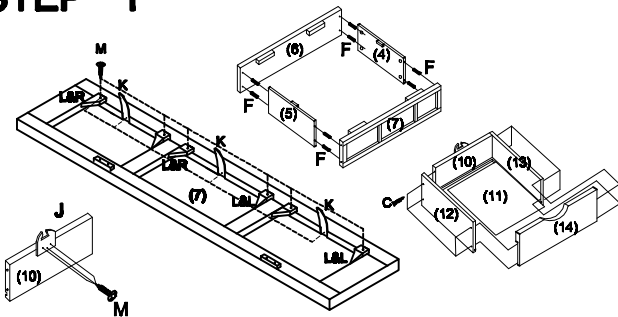
## PARTS IDENTIFICATION:

- |      |                     |   |       |
|------|---------------------|---|-------|
| (1)  | LEFT SIDE PANEL     |    | 1 PC  |
| (2)  | RIGHT SIDE PANEL    |    | 1 PC  |
| (3)  | BACK CUSHION        |    | 1 PC  |
| (4)  | LEFT SIDE PANEL     |    | 1 PC  |
| (5)  | RIGHT SIDE PANEL    |    | 1 PC  |
| (6)  | BACK BOARD          |    | 1 PC  |
| (7)  | FRONT CROSS BAR     |    | 1 PC  |
| (8)  | SERT PANEL          |    | 1 PC  |
| (9)  | BARREL NUT          |    | 3 PCS |
| (10) | DRAWER BACK PANEL   |   | 3 PCS |
| (11) | DRAWER BOTTOM PANEL |  | 3 PCS |
| (12) | LEFT DRAWER PANEL   |  | 3 PCS |
| (13) | RIGHT DRAWER PANEL  |  | 3 PCS |
| (14) | DRAWER FACE PANEL   |  | 3 PCS |

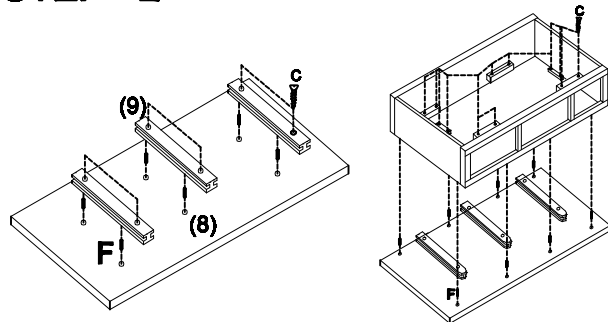
## HARDWARE IDENTIFICATION:

A	LARGE MACHINE SCREWS		12PCS
B	WOOD PLUG		12PCS
C	LARGE WOOD SCREWS		42PCS
D	ALLEN WRENCH		1PC
E	BARREL NUT		12PCS
F	WOOD DOWEL		32PCS
G	GLUE		1PC
J	DRAWER SUPPORT		3PCS
K	DRAWER STOP		3PCS
L	DRAWER STOP		3SET
M	SMALL WOOD SCREWS		18PCS

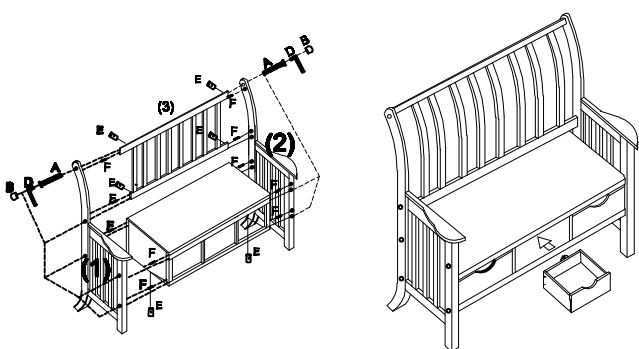
### STEP 1



### STEP 2



### STEP 3



### STEP 4

