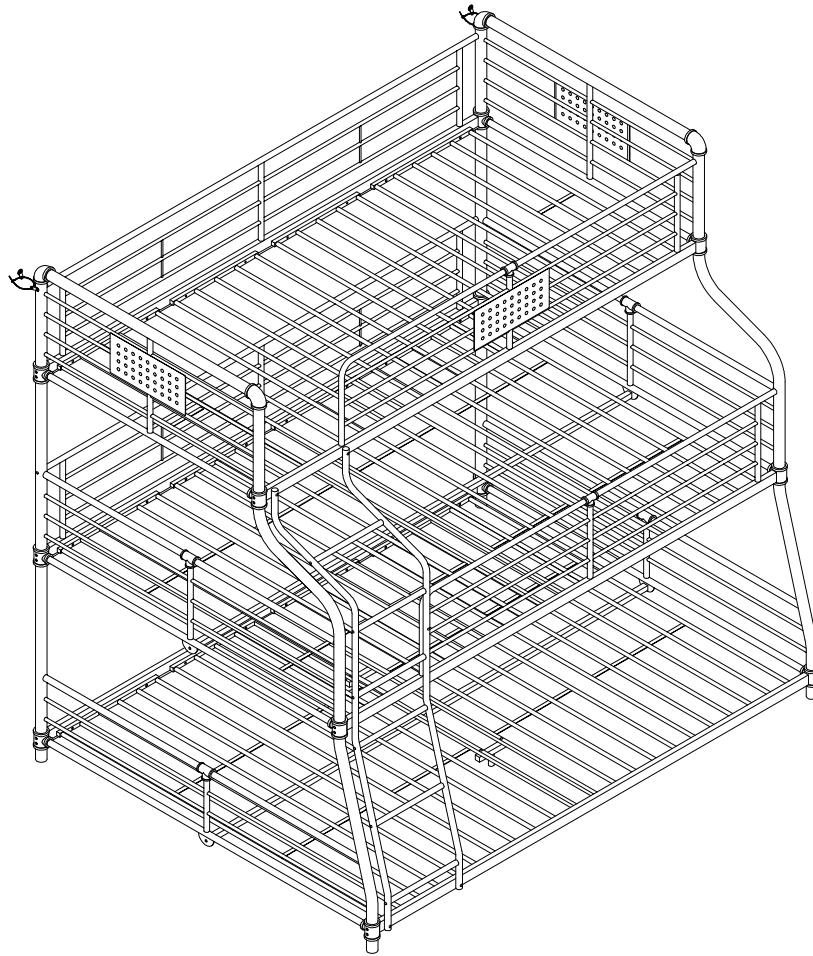


Furniture of America[®]

Assembly Instructions

For more information contact our team: service.ec@foagroup.com

CM-BK918

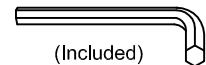


ASSEMBLY RATING

The Assembly Rating is a 5-point system that shows the degree of effort needed in assembling a specific product (with 1 being easy and 5 being difficult). For some products, two persons are recommended.

Tools Required For Assembly:

Allen Wrench



(Included)

Phillips Screwdriver

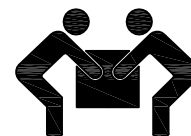


(Not Included)

EASY



DIFFICULT

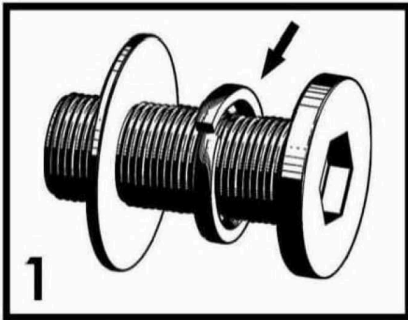


2 PERSONS RECOMMENDED

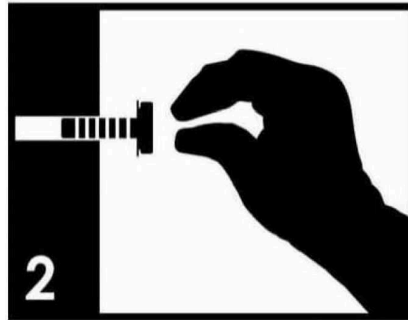
ASSEMBLY & CARE ADVICE

FOR YOUR FURNITURE TO LAST, CORRECT ASSEMBLY AND PROPER MAINTENANCE ARE NECESSARY. PLEASE FOLLOW THE INFORMATION PROVIDED BELOW TO FULLY ENJOY YOUR FURNITURE.

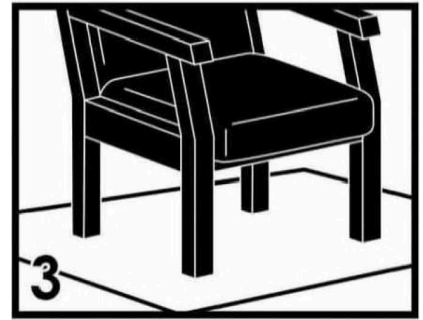
BASIC ASSEMBLY TECHNIQUES



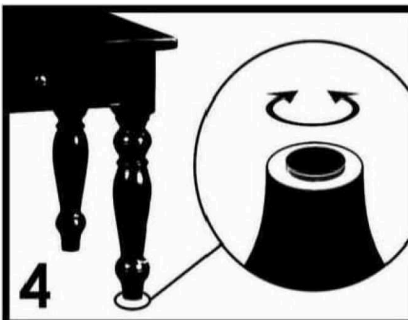
When lock or spring washer is used in an assembly, please make sure the lock or spring washer is placed between the larger flat washer and the head of the screw or bolt.



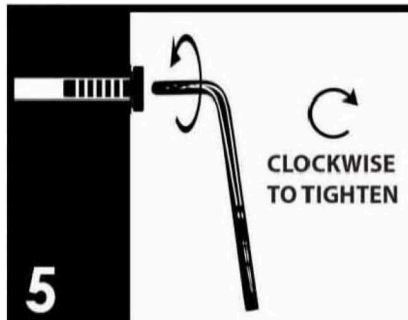
Position each part correctly and insert screws or bolts into their respective holes by hand tighten or using the proper hand tool. Only tighten when step is completed or when instructed to do so.



Use cardboard or carpet area when assembling furniture to prevent scratches. Make sure the furniture rests on a flat and level surface with each leg evenly touching the floor.



Some furniture comes with height adjustment knobs underneath each leg. To lower or to raise each leg, you need to turn clockwise or counterclockwise, respectively.

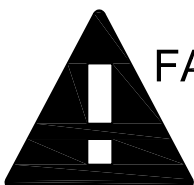


Make sure all parts are properly aligned, then use the appropriate hand tool to completely tighten the bolts or screws. Do not use power tools and do not overtighten.

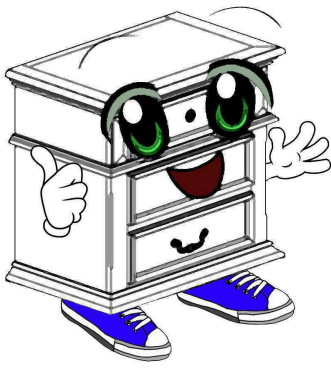


Save the instructions and store the Allen wrench or any supplied tool for later maintenance. After two weeks, check and tighten any loose hardware and repeat again every six months thereafter.

IT IS THE USER'S RESPONSIBILITY TO MAINTAIN THE FURNITURE. THE HARDWARE MAY LOOSEN OVER TIME AND MAY CAUSE THE FURNITURE TO BE WOBBLY AND UNABLE TO SUPPORT ITS INTENDED WEIGHT CAPACITY. THIS MAY LEAD TO COLLAPSE AND MAY CAUSE SERIOUS INJURY.



FAILURE TO FOLLOW THE GUIDELINES ABOVE MAY RESULT IN INJURY AND/OR PROPERTY DAMAGE.



Before you begin, please read Page 2 of "Assembly and Care Advice".

And remember, do not tighten until each step is completed or instructed.

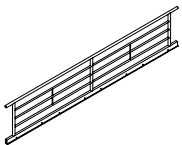
Parts List



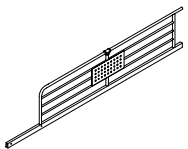
#1 x 1pc
Left Headboard



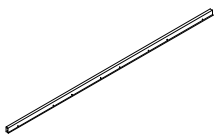
#2 x 1pc
Right Headboard



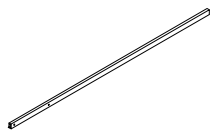
#3 x 2pcs
Rear Guardrail



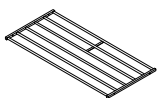
#4 x 1pc
Top Guardrail



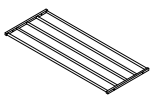
#5 x 1pc
Rear Bottom Tube



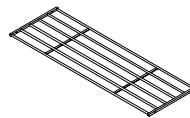
#6 x 1pc
Front Bottom Tube



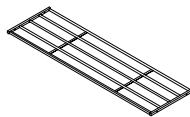
#7 x 2pcs
Upper End side Slat



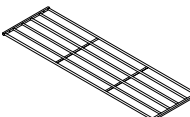
#8 x 2pcs
Upper Middle Slat



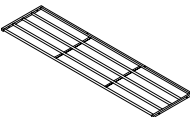
#9 x 2pcs
Middle End side Slat



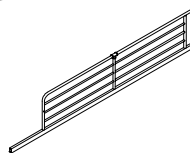
#10 x 2pcs
Middle Middle Slat



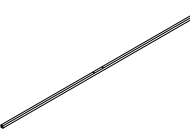
#11 x 2pcs
Lower End side Slat



#12 x 2pcs
Lower Middle Slat



#13 x 1pc
Middle Guardrail



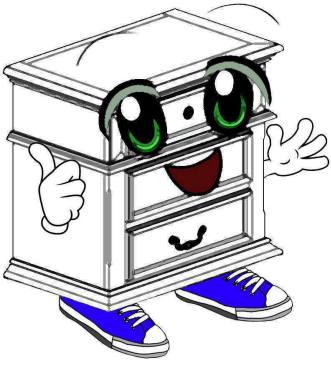
#14 x 2pcs
Center Support Tube



#15 x 1pc
Left Ladder Frame



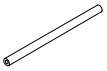
#16 x 1pc
Right Ladder Frame



Before you begin, please read Page 2 of "Assembly and Care Advice".

And remember, do not tighten until each step is completed or instructed.

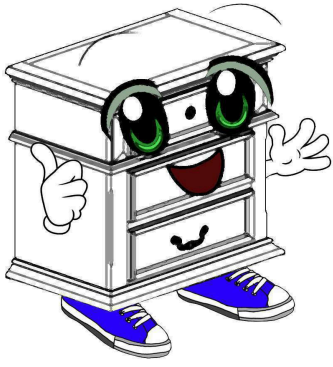
Parts List



#17 x 6pcs
Steps



#18 x 2pcs
Support leg



Before you begin, please read Page 2 of "Assembly and Care Advice".

And remember, do not tighten until each step is completed or instructed.

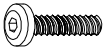
Hardware List



#A x 52pcs
Bolt 1/4" X 1"



#I x 2pcs
Girding



#B x 8pcs
Bolt 1/4" X 1-1/8"



#C x 17pcs
Bolt 1/4" X 1-3/8"



#D x 30pcs
Bolt 1/4" X 3"



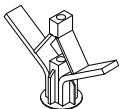
#E x 1pc
Allen Wrench M4



#F x 2pcs
Screw M4x37

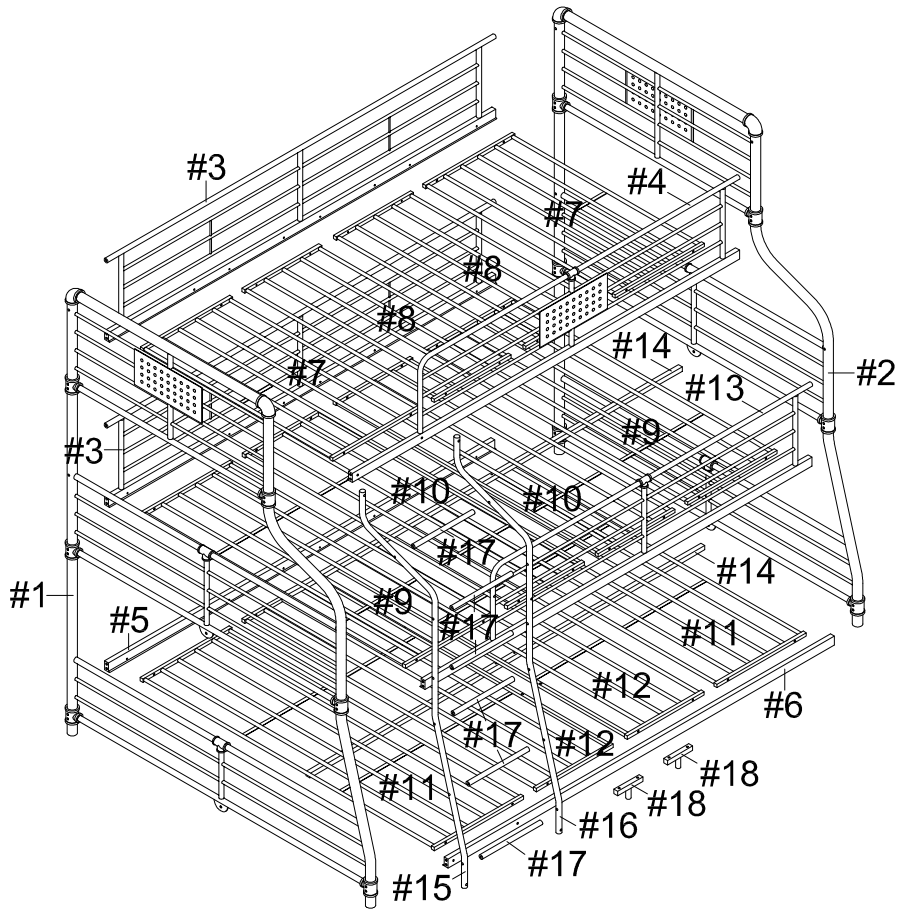


#G x 4pcs
Metal Plate



#H x 2pcs
Anchor

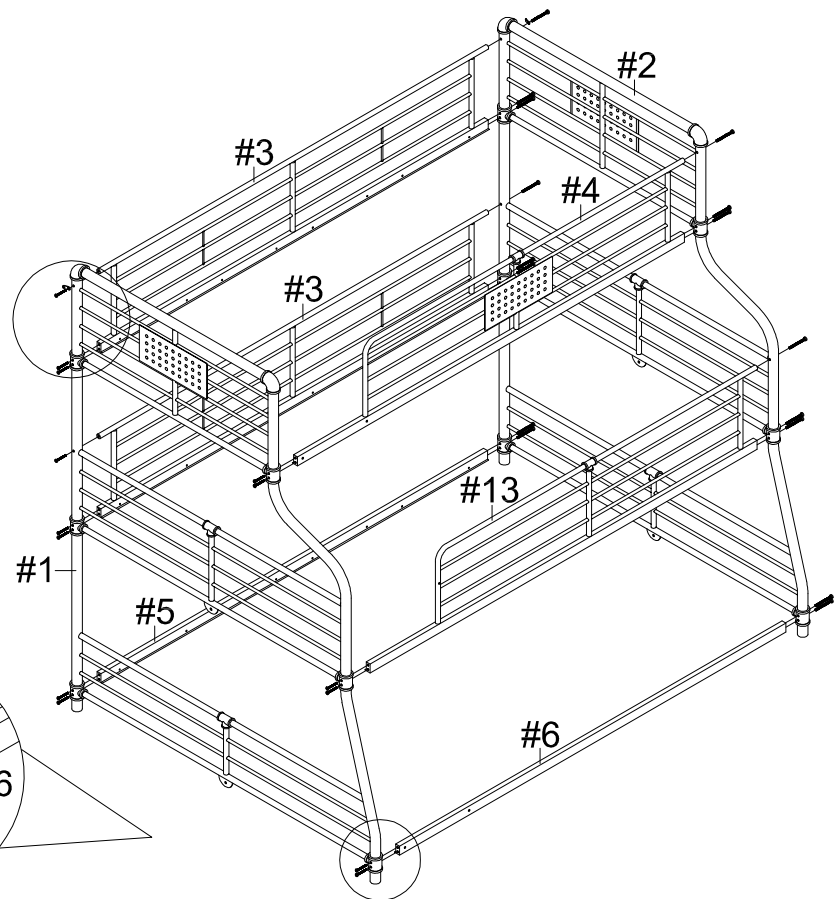
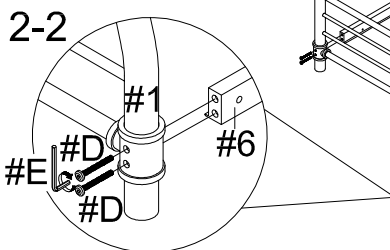
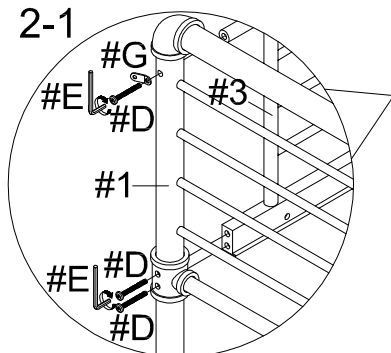
Exploded View



Align guardrails (#3,4,13) and bottom tubes (#5,6) to the holes of the headboards (#1,2), then secure by using bolts (#D).



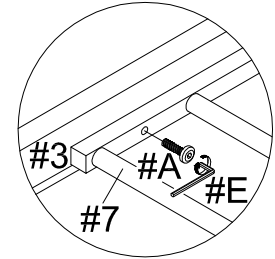
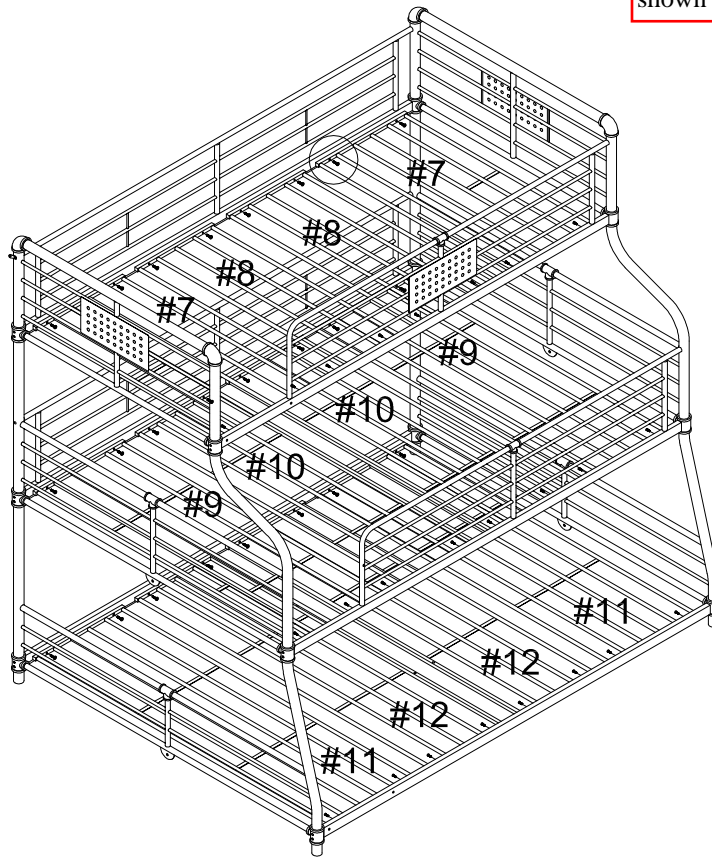
#D x 30pcs
#G x 2pcs





#A x 48pcs

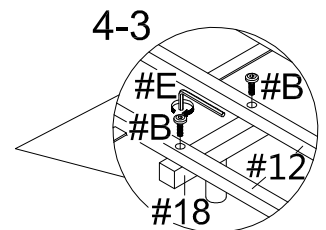
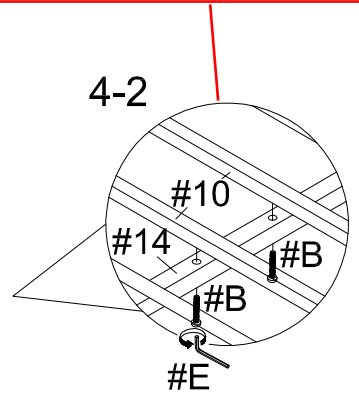
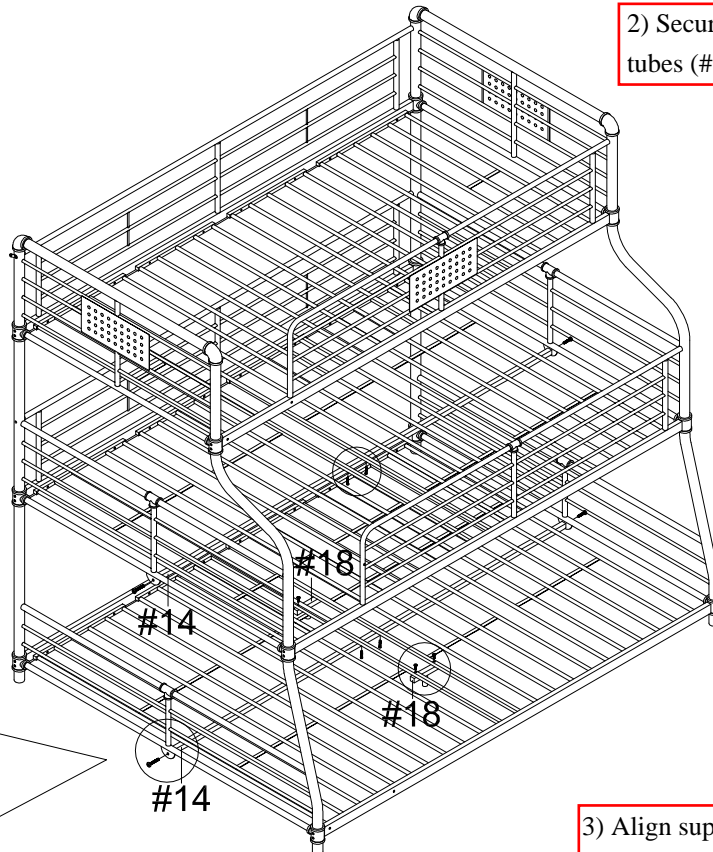
Align slats (#7,8,9,10,11,12) to the holes of each bunks, then secure by using bolts (#A) as shown in the diagram.



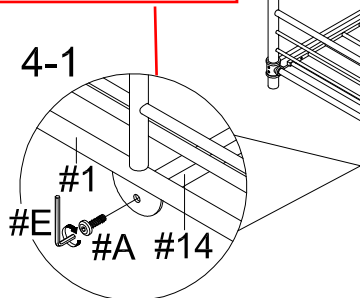
#A x 4pcs
#B x 8pcs

2) Secure two middle holes of the center tubes (#14) to the slats by using bolts (#B).

1) Align center support tubes (#14) to the center holes of the slats on the middle and lower bunk. Secure by using bolts (#A).



3) Align support legs (#18) to the holes of the slats, then secure by using bolts (#B).

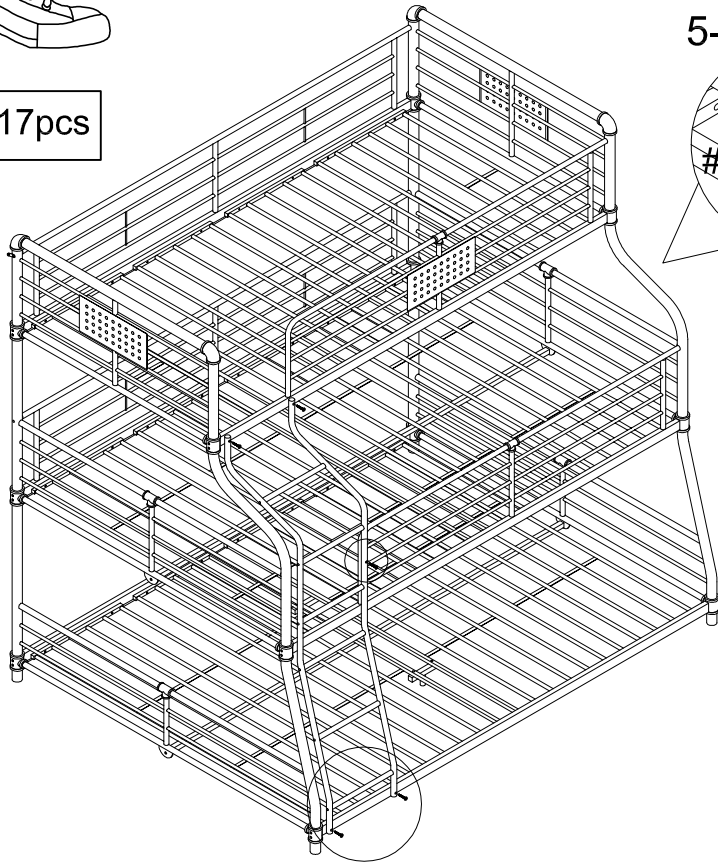




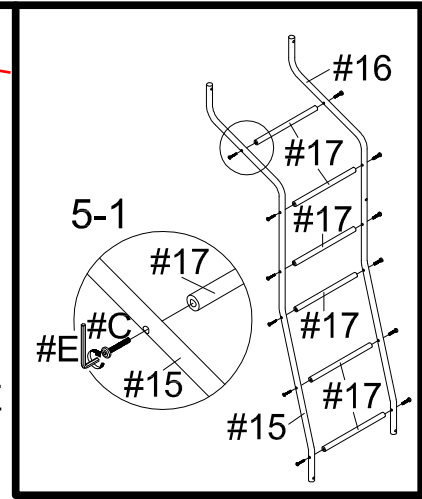
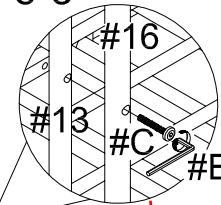
#5

#C x 17pcs

1) Align steps to the holes of the ladder frames (#15,16), then secure by using bolts (#C).



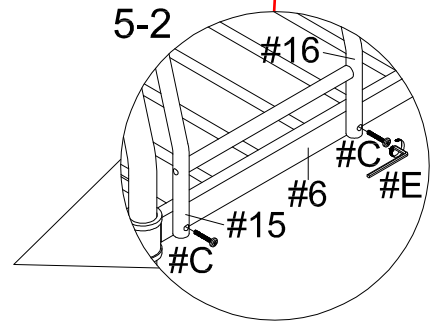
5-3



5-1

2,3) Align ladder to the holes of the bunk bed, then secure by using bolts (#C).

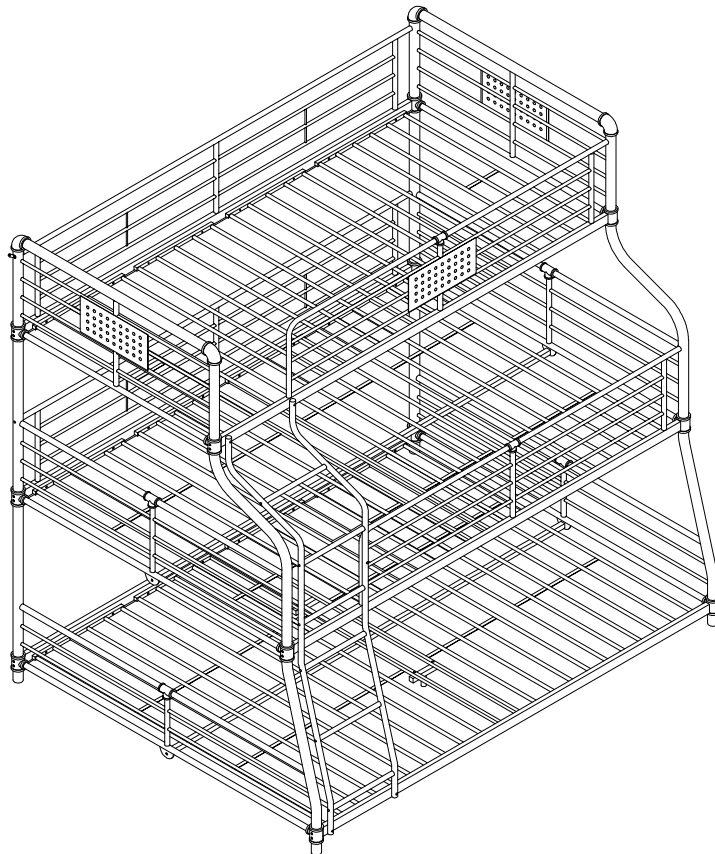
5-2



ASSEMBLY COMPLETED

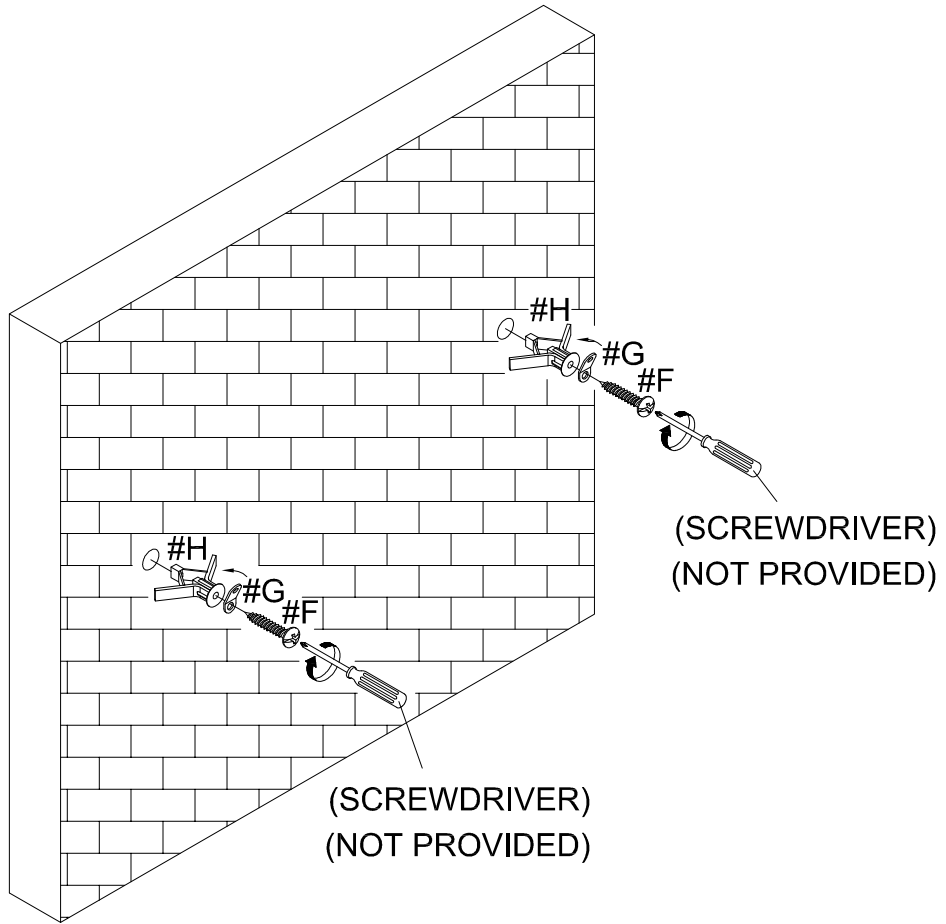


#6

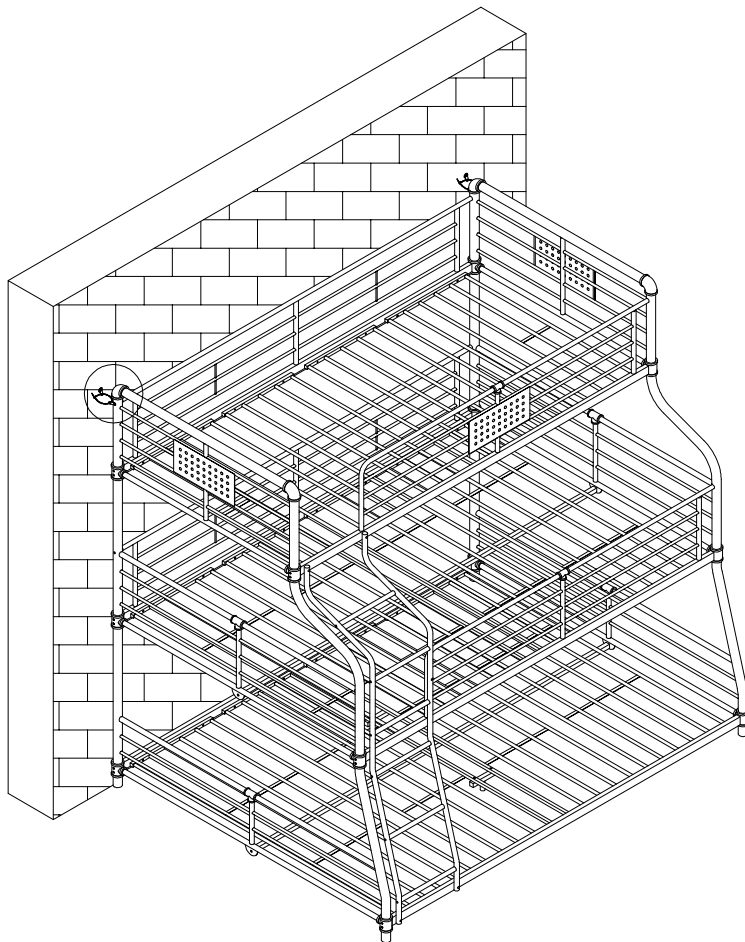




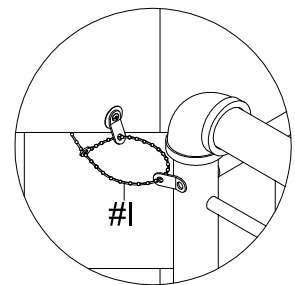
#F x 2pcs
#G x 2pcs
#H x 2pcs



#I x 2pcs



To Prevent Tip over
Product Must Be
Attached To Wall



Safety Warnings

1. Follow the information on the warnings appearing on the upper bunk end structure and on the carton . Do not remove warning label from bed.
 2. Always use the recommended size mattress or/and mattress support to help prevent the likelihood of entrapment or falls.
 3. Surface of mattress must be at least 5 in. below the upper edge of guardrails .
 4. Do not allow children less than 6 years of age to use the upper bunk.
 5. Periodically check and ensure that the guardrail, ladder ,and other components are in their proper position ,free from damage ,and that all connectors are tight .
 6. Prohibit horseplay on/or under the bed and prohibit jumping on the bed.
 7. Always use the ladder for entering and leaving the upper bunk.
 8. Do not use substitute parts ,Contact manufacturer or dealer for replacement parts.
 9. Use of a night light may provide added safety precaution for a child using the upper bunk.
 10. Always use guardrails on both long sides of the upper bunk.
 11. If the bunk bed will be placed next to a wall, the guardrail that runs the full length of the bed should be placed against the wall to prevent entrapment between the bed and the wall.
 12. The use of water or sleep flotation mattress is prohibited .
 13. Keep these instructions for future reference.
 14. Use only the mattress is 78 3/4"x39" x5" in the upper and middle need 78 3/4"x54" x5" and lower berths required 78 3/4"x60" x5" mattress.
 15. Prohibit more than one person on upper bunk.
- STRANGULATION HAZARD:**
16. Never attach or hang items to any part of the bunk bed that are not designed for use with the bed for example, but not limited to hooks, belts, and jump ropes.