



Furniture of America®

E-Commerce by Enitial Lab

# ASSEMBLY INSTRUCTIONS

MODEL #

CM-BK626

Questions?

GIVE US CALL: 1-888-980-5122  
MON-FRI 8:30AM - 5:30PM (PST)

## TOOLS REQUIRED



Allen Wrench

(Included)

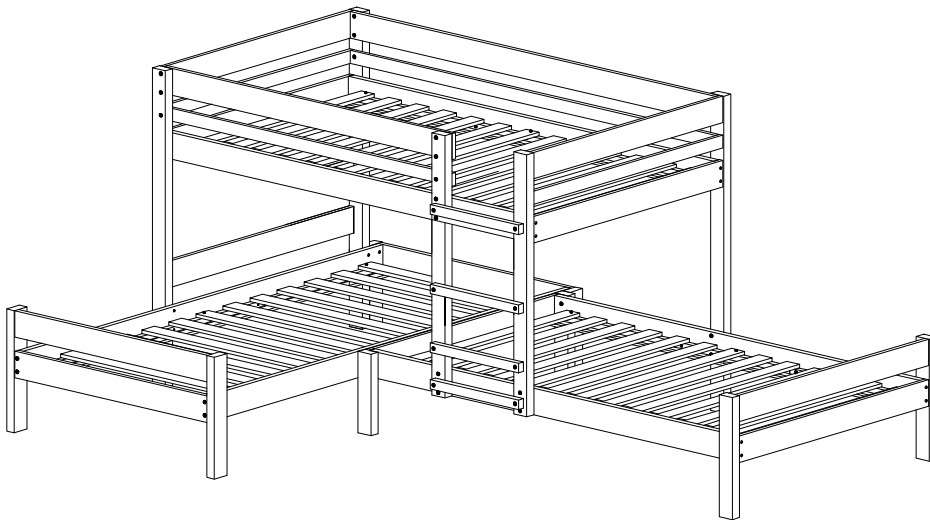


Phillips  
Screwdriver

(Not Included)



3 - People  
Recommended



## ASSEMBLY RATING



EASY —————> DIFFICULT

The Assembly Rating is a 5-point system showing the level of effort needed to assemble a specific product.




FOA Intro

Thank you for your purchase!


We hope you enjoy this new addition to your home for many years to come.

Our commitment to providing quality products does not simply end when you purchase our product. We fully stand behind our products from start to finish. Our customer service department is available Monday – Friday 8:30 AM – 5:30 PM Pacific and can help with assembly questions as well as, if necessary, replacing damaged or missing parts. To help expedite our service, please have these assembly instructions readily available, along with your order receipt.


 **Consumer Hotline**  
Toll-Free 1-888-980-5122

 **WEBSITE**  
[www.foagroup.com](http://www.foagroup.com)

    foagroup

 **Monday to Friday**  
8:30AM- 5:30PM (PST)

 **E-MAIL**  
[cs.ec@foagroup.com](mailto:cs.ec@foagroup.com)

 FurnitureOfAmerica

---

## CHECK BEFORE STARTING

**Are you missing anything?**

Double-check all parts, hardware and accessories listed on Page 6 are accounted for.

**Should we send any replacements?**

Are there any irregularities or flaws in the parts? We can send replacements!

**Check out our Quick Tips!**

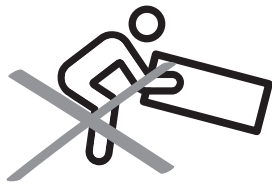
We recommend reviewing the pre-assembly handouts. Even experts need a refresher now and then!

**Prep Time!**

Please review the assembly instructions and all diagrams prior to assembling. Arrange parts as recommended on Page 7 and group identical hardware together to make assembling easier.

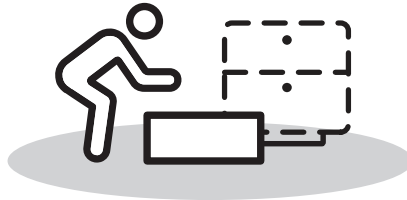
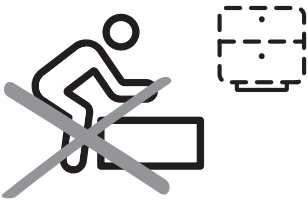
# PRE ASSEMBLY INTRODUCTION

We understand building ready-to-assemble furniture can be a challenging experience for some. To help avoid confusion, we have provided some helpful tips that may speed up the process.



## Teamwork

ALWAYS have at least two people to help with transporting and assembling the product to avoid potential injury and/or damage.



## Suitable Location

Assembling near the area of the intended location is highly recommended.



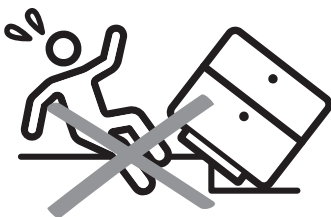
## Sufficient Space

Make sure you have enough space to move around during the assembly.



## Avoid Scratches

Use cardboard, blankets or a carpeted area while assembling furniture to prevent scratches.



## Flat Surface

Make sure the furniture rests on a flat and level surface with each leg evenly touching the floor.

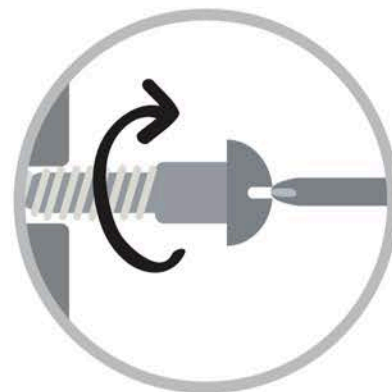
# ASSEMBLY AND CARE ADVICE



**FAILURE TO FOLLOW THE GUIDELINES BELOW MAY RESULT IN INJURY AND/OR PROPERTY DAMAGE.**



Position each part correctly and insert screws or bolts into their respective holes.



Turn clockwise to tighten and only tighten when step is completed or when instructed to do so.



Use the appropriate hand tools or power tools for assembly. Select steps, such as tightening screws and/or bolts, may require hand tools to avoid causing damage during assembly.



Save the instructions and store any supplied tools for later maintenance.



After two weeks, check and tighten any loose hardware and repeat again every six months thereafter.

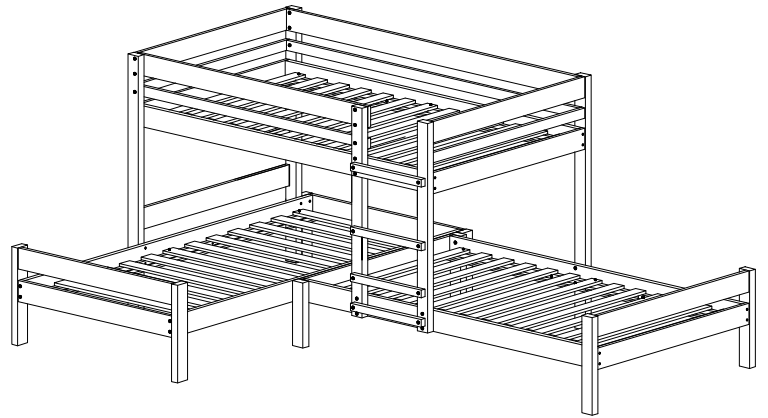
**IT IS THE USER'S RESPONSIBILITY TO MAINTAIN THE FURNITURE. THE HARDWARE MAY LOOSEN OVER TIME AND MAY CAUSE THE FURNITURE TO BE WOBBLY AND UNABLE TO SUPPORT ITS INTENDED WEIGHT CAPACITY. THIS MAY LEAD TO COLLAPSE AND MAY CAUSE SERIOUS INJURY.**

# DAYBED

CM-BK626

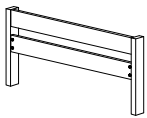


- Please keep instructions for future reference.
- Check the quantity and irregularity of parts and hardware before you start.



## PARTS

#1 1pc



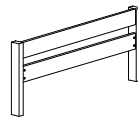
Lower End Guardrail

#2 1pc



Lower End Guardrail

#3 1pc



Lower End Guardrail

#4 1pc



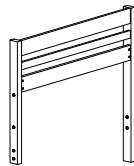
Lower End Guardrail

#5 1pc



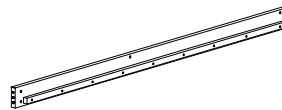
Upper End Guardrail

#6 1pc



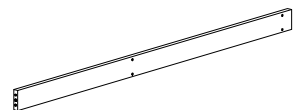
Upper End Guardrail

#7 1pc



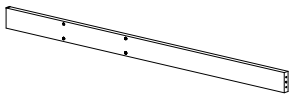
Lower Back Side Rail

#8 1pc



Lower Front Side Rail

#9 1pc



Lower Front Side Rail

#10 1pc



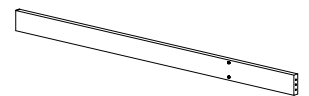
Lower Back Side Rail

#11 1pc



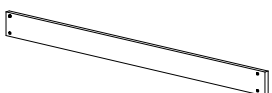
Upper Back Side Rail

#12 1pc



Upper Front Side Rail

#13 1pc



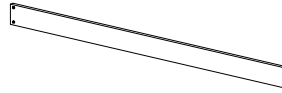
Front Guardrail

#14 1pc



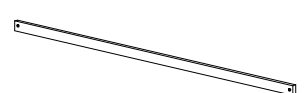
Front Guardrail

#15 1pc



Back Guardrail

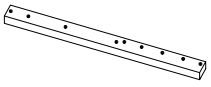
#16 1pc



Back Guardrail

## PARTS

#17 1pc



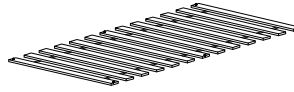
Ladder Rail (L)

#18 4pcs



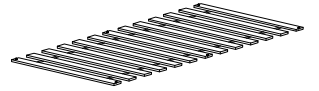
Ladder Rung

#19 1set



Twin Slats Kit  
(13pcs)

#20 2set



Twin Slats Kit  
(13pcs)

## HARDWARE

#A 24pcs



Bolt  
Ø1/4" x 2-3/4"

#B 24pcs



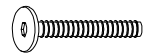
Barrel Nut  
Ø1/4" x 1/2"

#C 24pcs



Bolt  
Ø1/4" x 2-1/4"

#D 12pcs



Bolt  
Ø1/4" x 2"

#E 12pcs



Wood Dowel  
#10x40mm

#F 18pcs

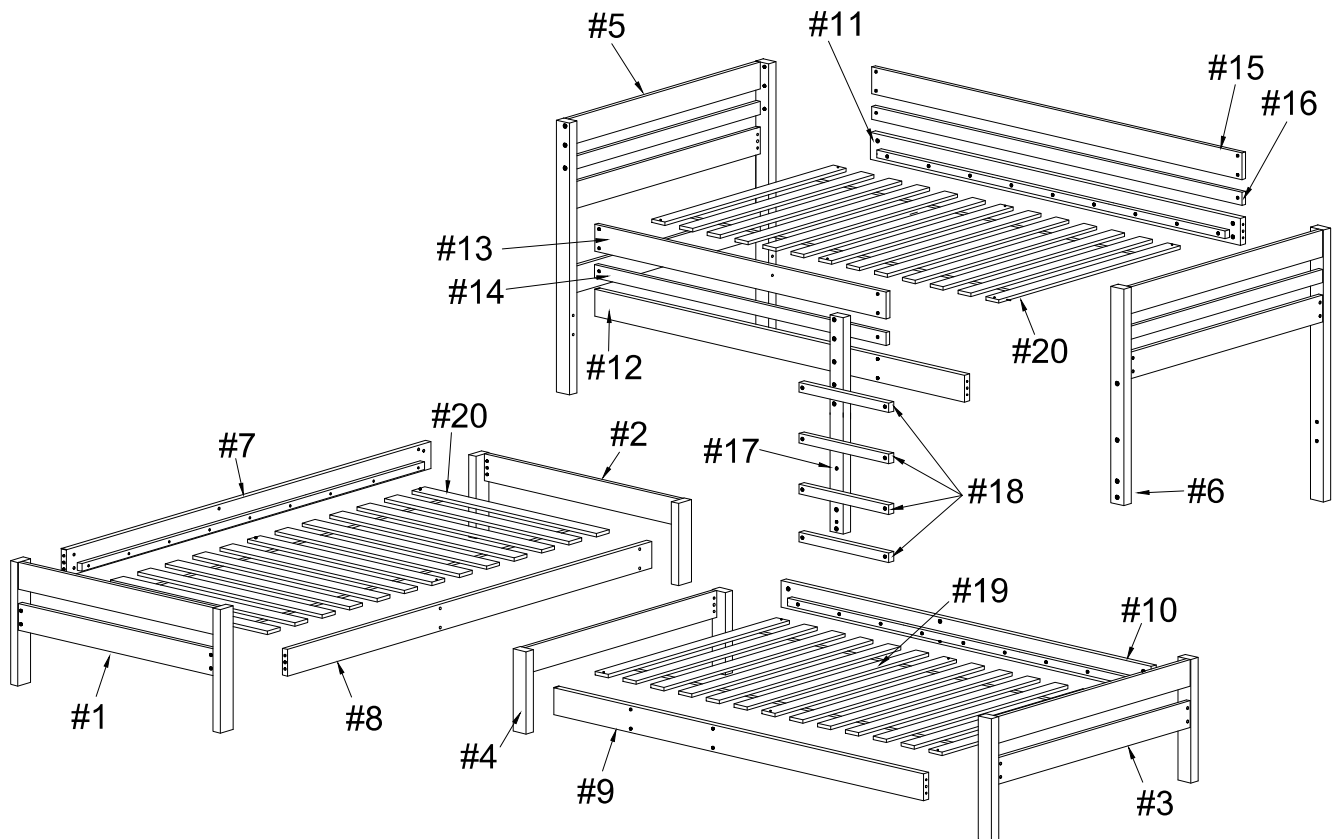


Screw  
#4x30mm


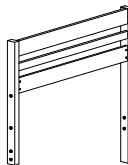
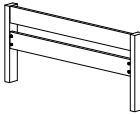

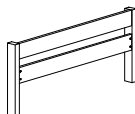

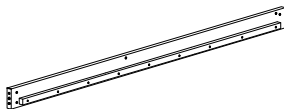


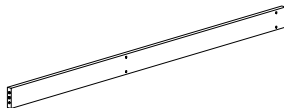



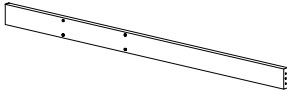



#G 1pc





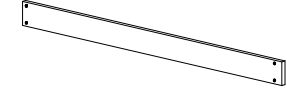



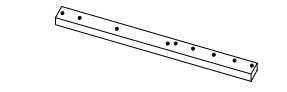
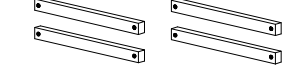
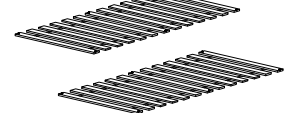
Allen Wrench  
4mm



# CM-BK626 is packed in 4 cases

Carton	Disignation	Part	Hardware
CM-BK626-1	Upper End Guardrail	#5 	
	Upper End Guardrail	#6 	
CM-BK626-2	Lower End Guardrail	#1 	
	Lower End Guardrail	#2 	
	Lower End Guardrail	#3 	
	Lower End Guardrail	#4 	
CM-BK626-3	Lower Back Side Rail	#7 	 #A x 24pcs  #B x 24pcs
	Lower Front Side Rail	#8 	 #C x 24pcs  #D x 12pcs  #E x 12pcs
	Lower Front Side Rail	#9 	 #F x 18pcs  #G x 1pc
	Lower Back Side Rail	#10 	

# CM-BK626 is packed in 4 cases

Carton	Disignation	Part	Part	Hardware
CM-BK626-3	Upper Back Side Rail	#11		
	Upper Front Side Rail	#12		
	Front Guardrail	#13		
	Front Guardrail	#14		
	Back Guardrail	#15		
	Back Guardrail	#16		
	Ladder Rail (L)	#17		
	Ladder Rung	#18		
	CM-BK626-4	Twin Slats Kit (13pcs)	#19	
Twin Slats Kit (13pcs)		#20		

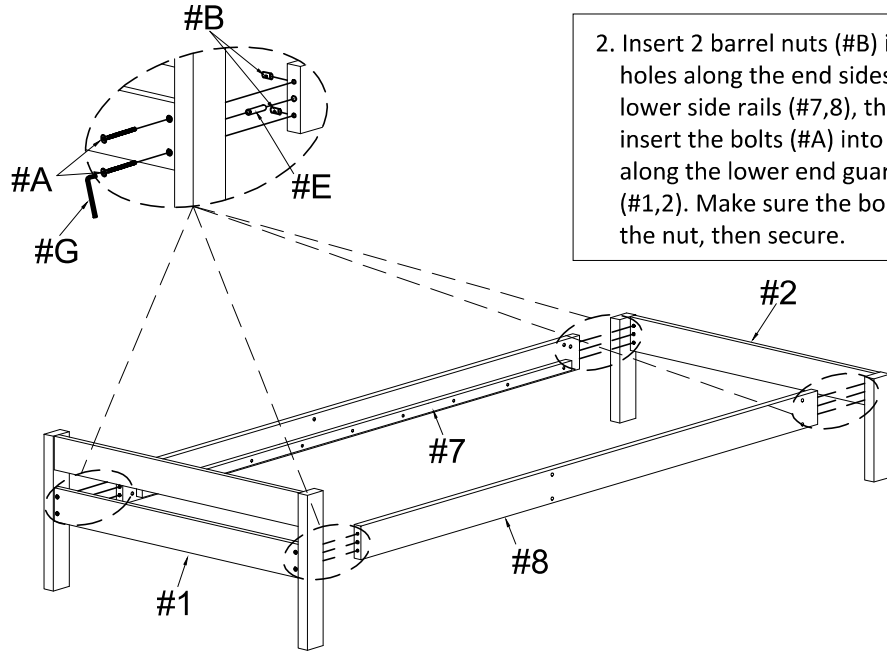


# ASSEMBLY INSTRUCTIONS

## 1

- Part #1 x 1pc
- Part #2 x 1pc
- Part #7 x 1pc
- Part #8 x 1pc
- Hardware #A x 8pcs
- Hardware #B x 8pcs
- Hardware #E x 4pcs

1. Insert a wood dowel (#E) into the center holes along the ends of the lower side rails (#7,8), then insert the other end into the holes along the lower end guardrails (#1,2).

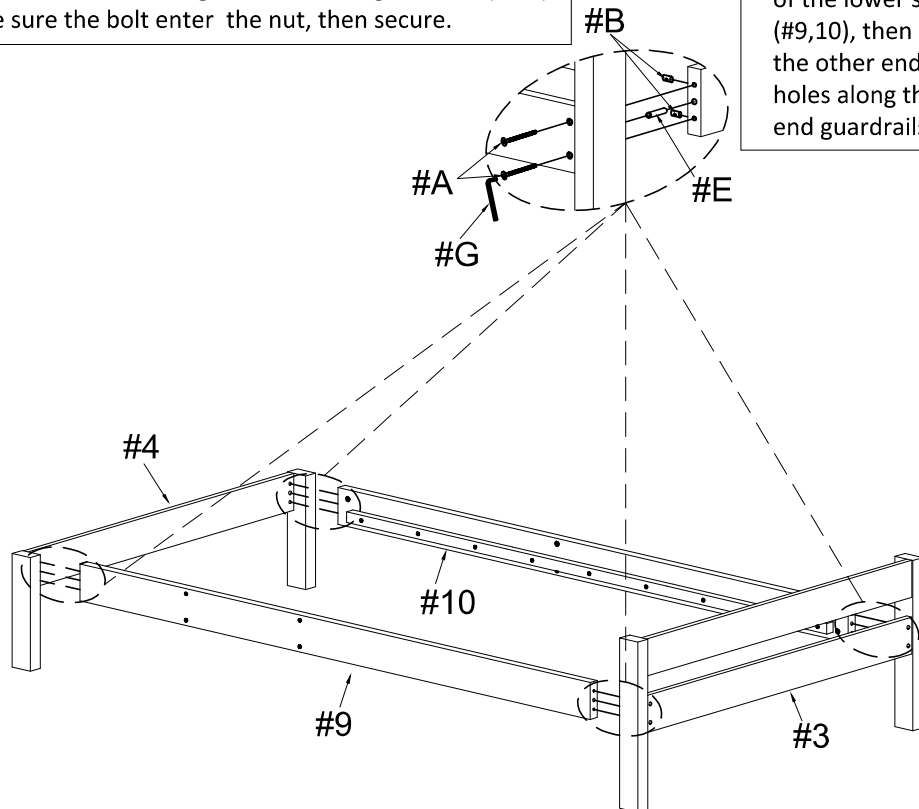


2. Insert 2 barrel nuts (#B) into the holes along the end sides of the lower side rails (#7,8), then insert the bolts (#A) into the holes along the lower end guardrails (#1,2). Make sure the bolt enter the nut, then secure.

## 2

- Part #3 x 1pc
- Part #4 x 1pc
- Part #9 x 1pc
- Part #10 x 1pc
- Hardware #A x 8pcs
- Hardware #B x 8pcs
- Hardware #E x 4pcs

2. Insert 2 barrel nuts (#B) into the holes along the end sides of the lower side rails (#9,10), then insert the bolts (#A) into the holes along the lower end guardrails (#3,4). Make sure the bolt enter the nut, then secure.



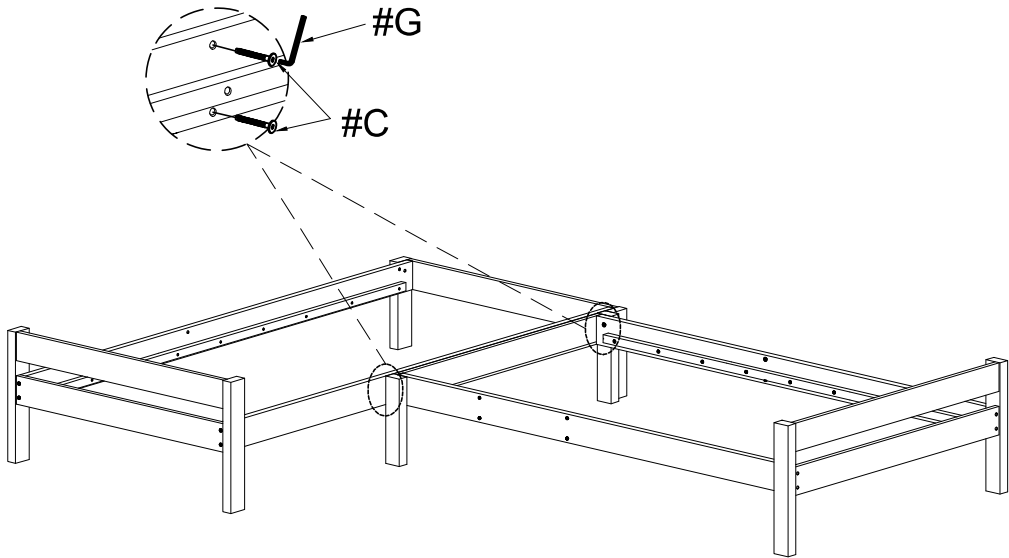
1. Insert a wood dowel (#E) into the center holes along the ends of the lower side rails (#9,10), then insert the other end into the holes along the lower end guardrails (#3,4).

# ASSEMBLY INSTRUCTIONS

## 3

Hardware  x 4pcs

Align the holes, then insert 2 bolts (#C), secure using the Allen wrench (#G).

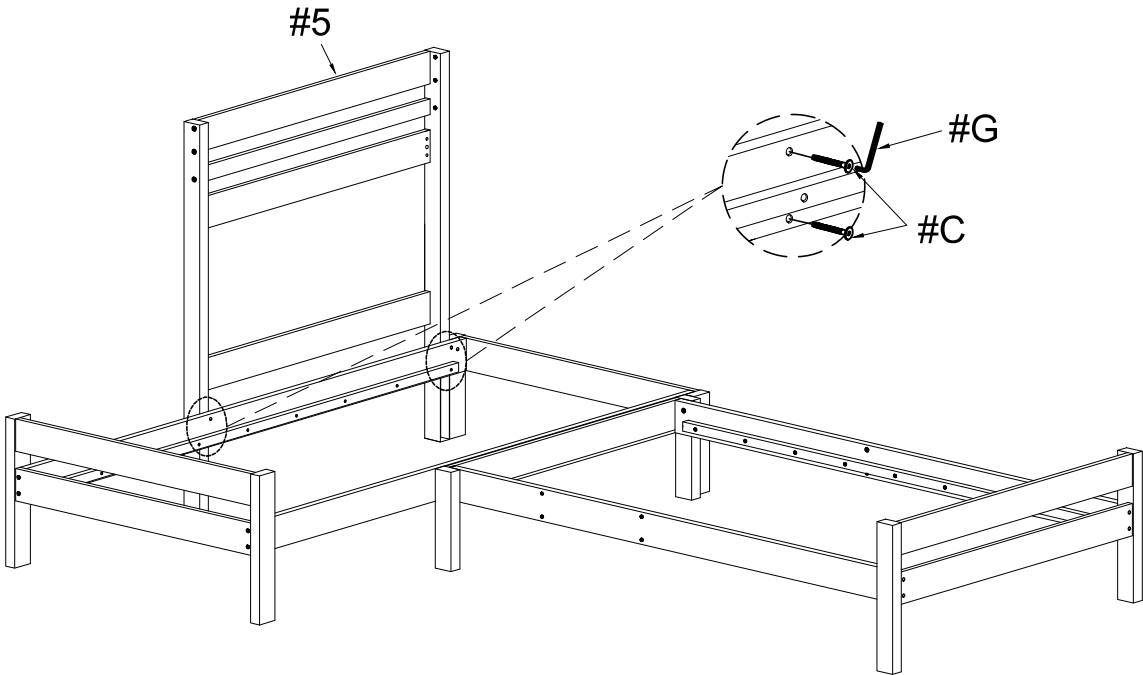


## 4

Part  x 1pc

Hardware  x 4pcs

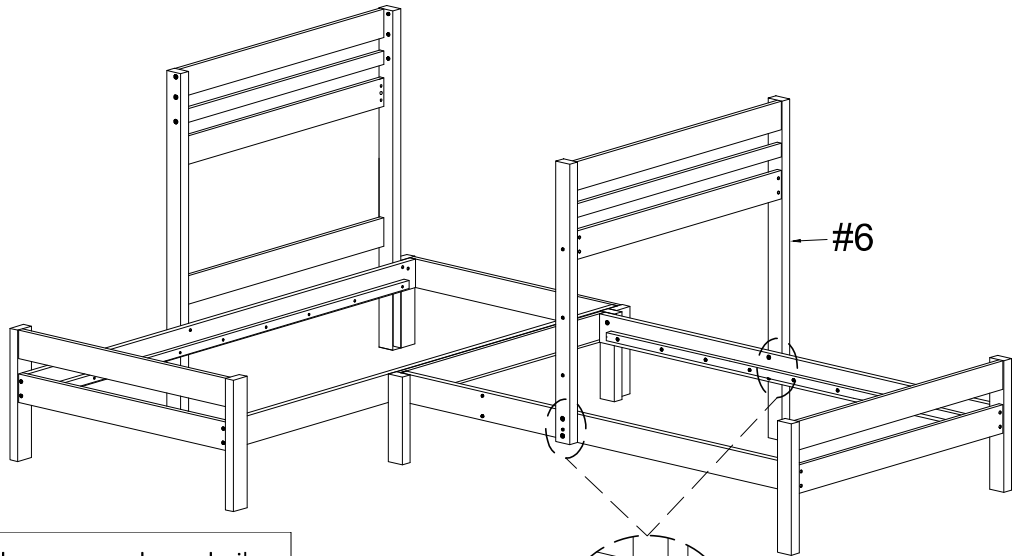
Align the upper end guardrail (#5) to the holes along the side rail (#7), then insert 2 bolts (#C), secure using the Allen wrench (#G).



# ASSEMBLY INSTRUCTIONS

## 5

Part #6 x 1pc  
Hardware #C x 4pcs

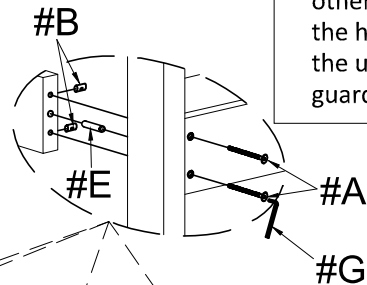


Align the upper end guardrail (#6) to the holes along the side rails (#9,10), then insert 2 bolts (#C) into each leg, secure using the Allen wrench (#G).

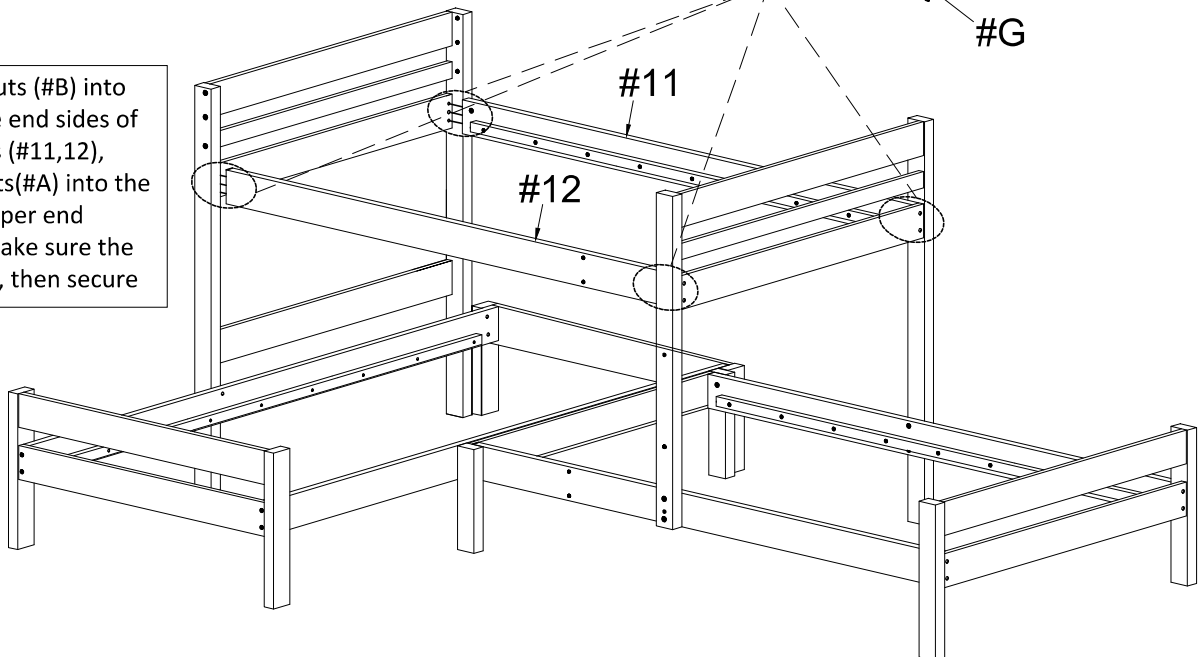
1. Insert a wood dowel (#E) into the center holes along the ends of the upper side rails (#11,12), then insert the other end into the holes along the upper end guardrails (#5,6).

## 6

Part #11 x 1pc  
Part #12 x 1pc  
Hardware #A x 8pcs  
Hardware #B x 8pcs  
Hardware #E x 4pcs



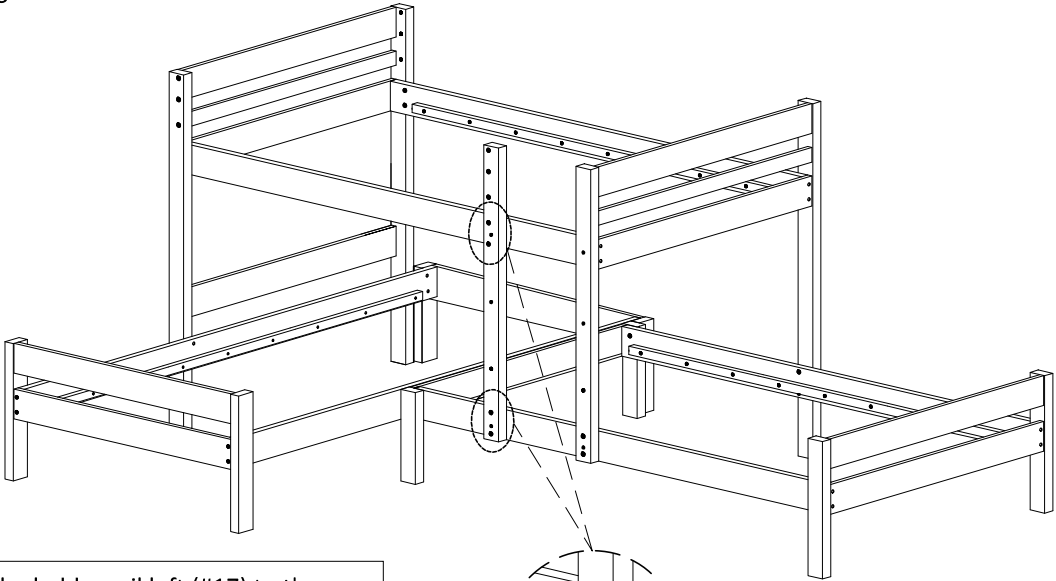
2. Insert 2 barrel nuts (#B) into the holes along the end sides of the upper side rails (#11,12), then insert the bolts (#A) into the holes along the upper end guardrails (#5,6). Make sure the bolt enters the nut, then secure



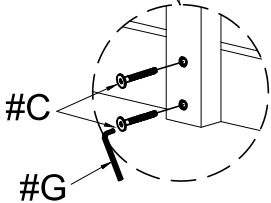
# ASSEMBLY INSTRUCTIONS

## 7

Hardware **#C** x 4pcs



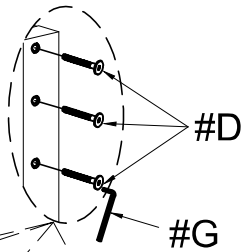
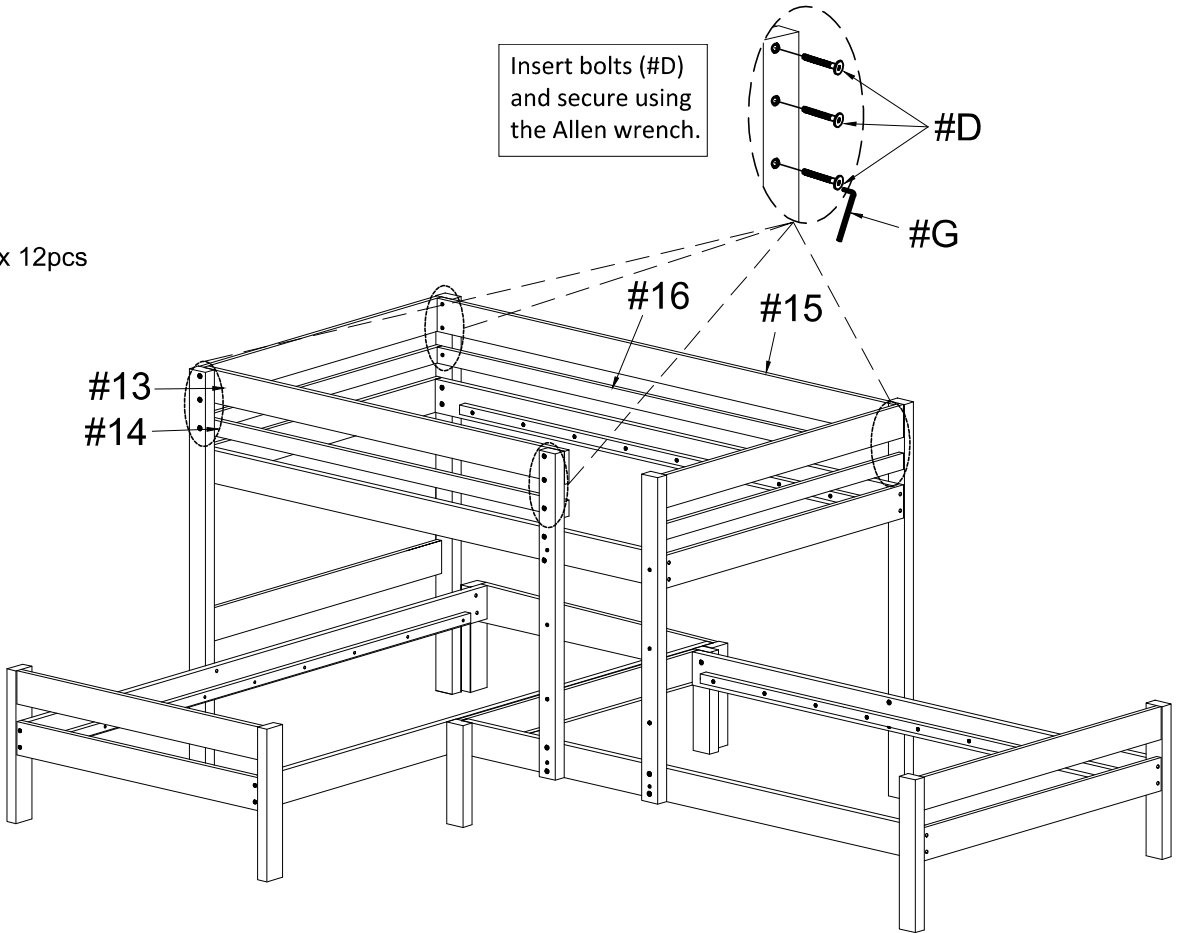
Align the ladder rail left (#17) to the holes along the upper rail (#12) and lower rail (#9), then insert 4 bolts (#C) and secure using the Allen wrench (#G).



## 8

Part **#13** x 1pc  
Part **#14** x 1pc  
Part **#15** x 1pc  
Part **#16** x 1pc  
Hardware **#D** x 12pcs

Insert bolts (#D) and secure using the Allen wrench.

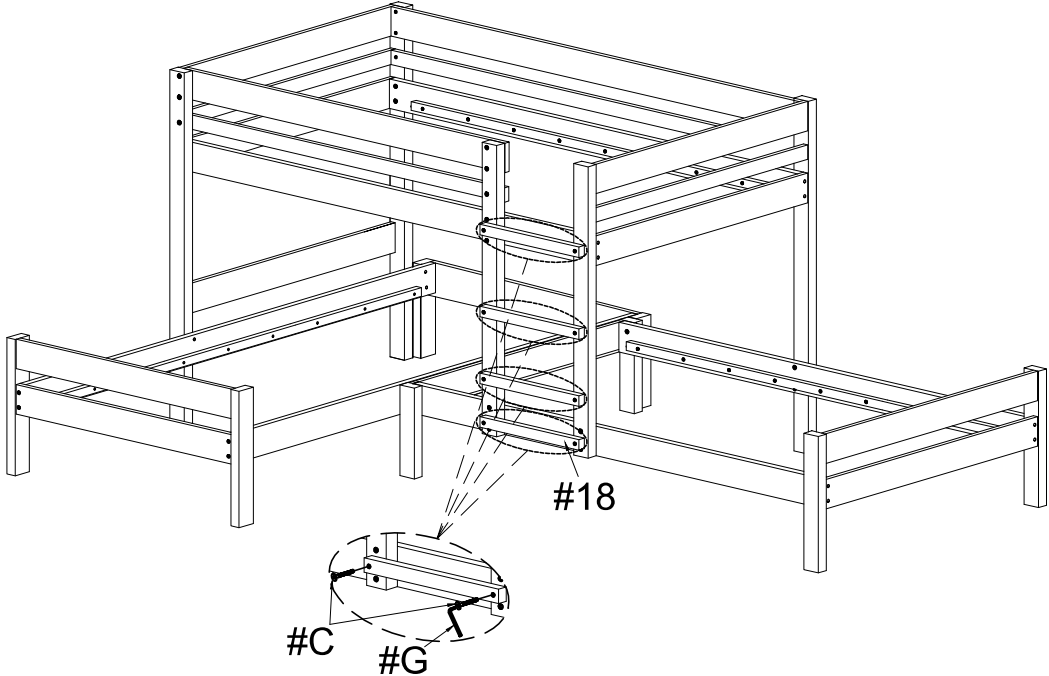


# ASSEMBLY INSTRUCTIONS

## 9

Part #18 x 4pcs  
Hardware #H x 24pcs

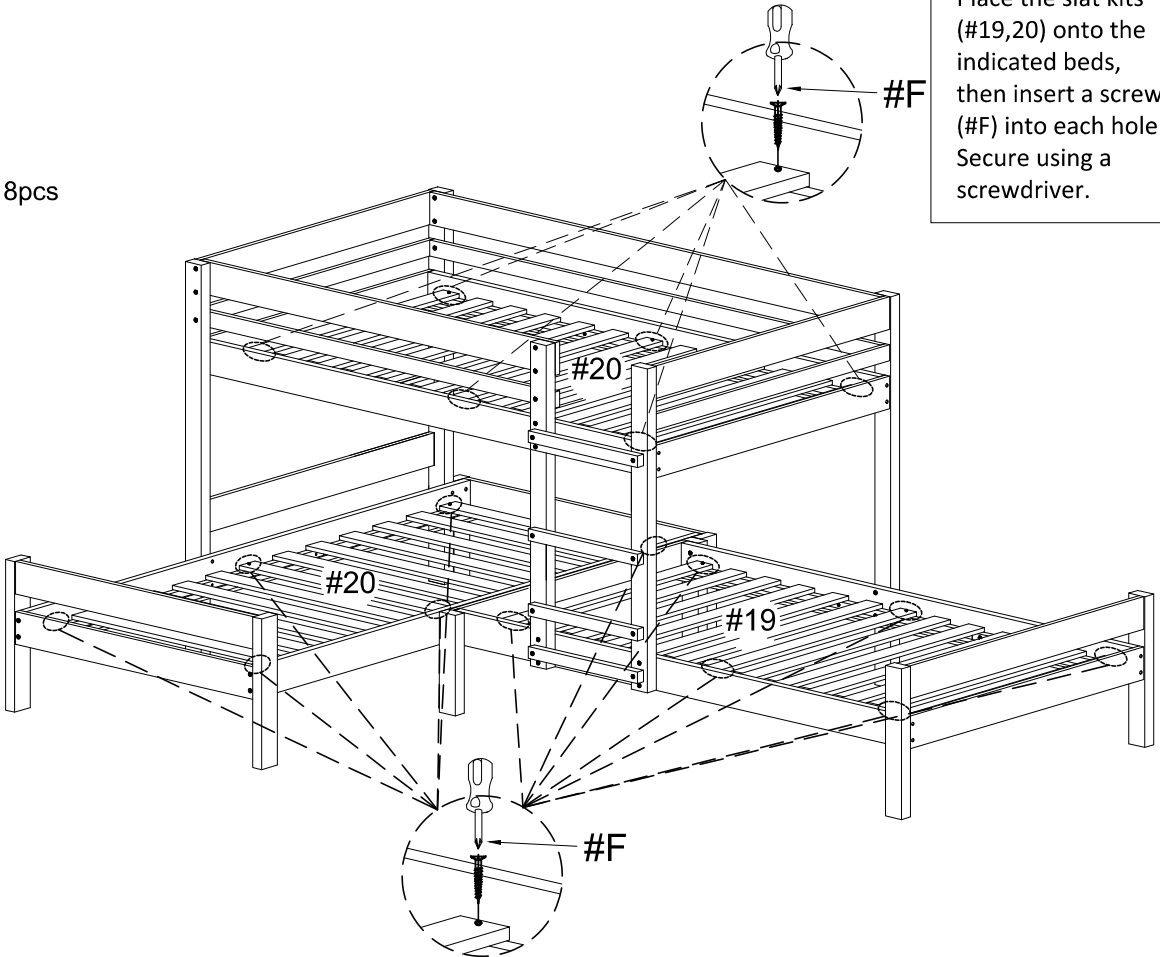
Align the ladder rungs (#18) to the holes, then insert a bolt (#C) into each end. Secure using the Allen wrench (G)



## 10

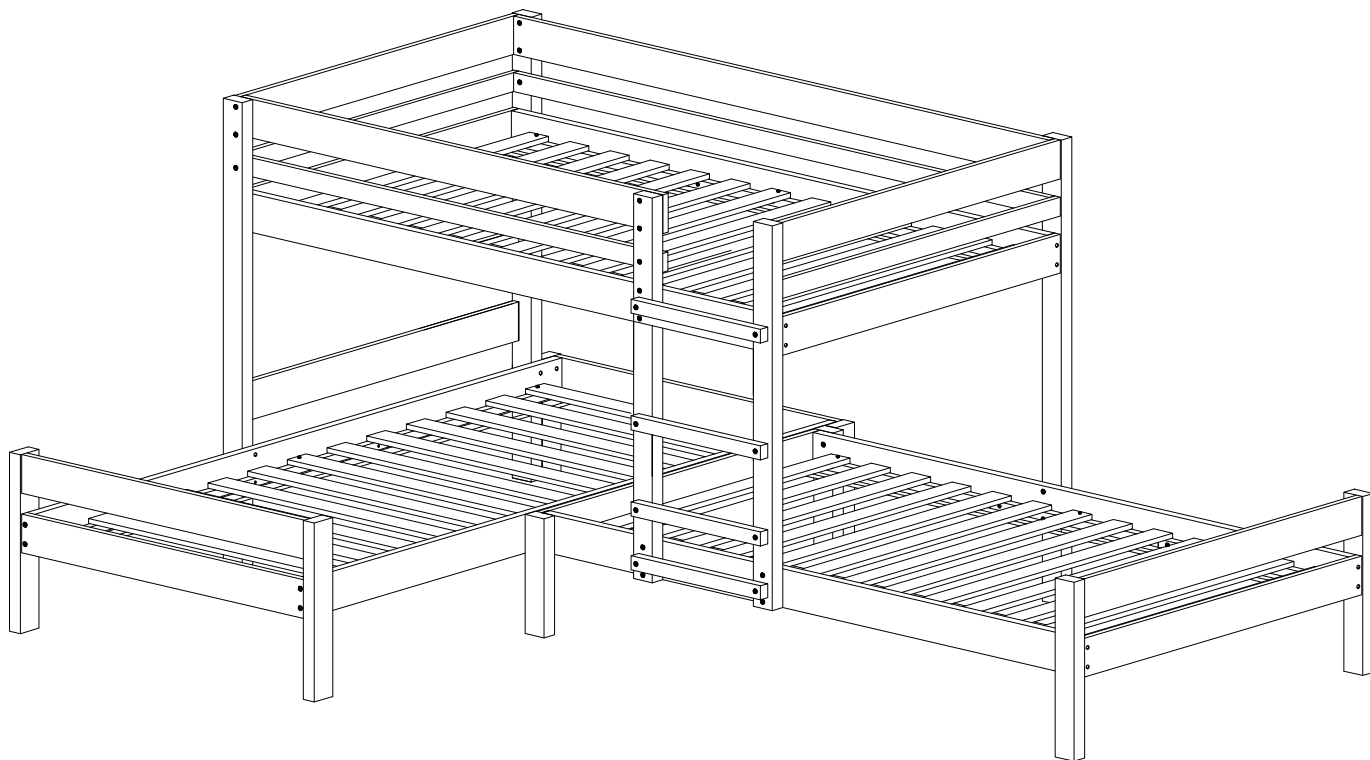
Part #19 x 1set  
Part #20 x 2set  
Hardware #F x 18pcs

Place the slat kits (#19,20) onto the indicated beds, then insert a screw (#F) into each hole. Secure using a screwdriver.



# ASSEMBLY INSTRUCTIONS

11



## ASSEMBLY COMPLETED



Please ensure the furniture rests on an even and flat surface. If the product wobbles or feels loose, double-check all bolts and/or screws are properly tightened and secured.

### ✓ **Keep this handy!**

Please retain this instruction manual and any order-related information for future reference.

### ✓ **Lift, don't drag!**

To avoid damage to product please always LIFT the product when transporting or adjusting the placement.

## Safety Warnings for Bunk Beds

1. Read and follow the information on the WARNINGS shown on the end structure of the upper bunk and on the carton.
2. Do not remove warning label from the bed.
3. Keep these instructions for future reference.
4. **IMPORTANT: Must use Bunkie mattress or Bunkie board.** The proper sizes for the **UPPER/LOWER TWIN-SIZE** Bunkie mattress or Bunkie board should be 74" long and 37½" - 38½" wide with no more than 6" thickness and for the **UPPER/LOWER FULL-SIZE** should be 74" long and 53" - 54" wide with no more than 6" thickness.
5. Surface of mattress must be at least 5 inches (127 mm) **BELOW** the upper edge of guardrails.
6. The **MAXIMUM** weight capacity for the upper bunk is not to exceed 175 lbs.
7. Do not allow children under 6 years of age to use the upper bunk.
8. Periodically check and ensure that the guardrails, ladder, handle and other components are in their proper position, free from damage, and that all connectors are tightened and secured.
9. **DO NOT** allow horseplay, rough playing or jumping on the beds and do not allow playing or hiding under the beds.
10. Always use the ladder for entering or leaving the upper bunk.
11. Do not use substitute parts. Contact the manufacturer or dealer for replacement parts.
12. Use of a nightlight may provide added safety precaution for a person using the upper bunk.
13. Always use the guardrails on both sides of the upper bunk.
14. If the bunk bed will be placed next to a wall, the guardrail that runs the full length of the bed should be placed against the wall to prevent entrapment between the bed and the wall.
15. The use of water or sleep flotation mattresses is prohibited.
16. No more than one person is allowed on the upper bunk at all times.



## **WARNING: STRANGULATION HAZARD**

Never attach or hang objects to any part of the bunk bed that are not designed for use with the bed. Objects such as hanger, hook, belt, bag, rope, string, etc. should not be used on or around the bunk bed.