

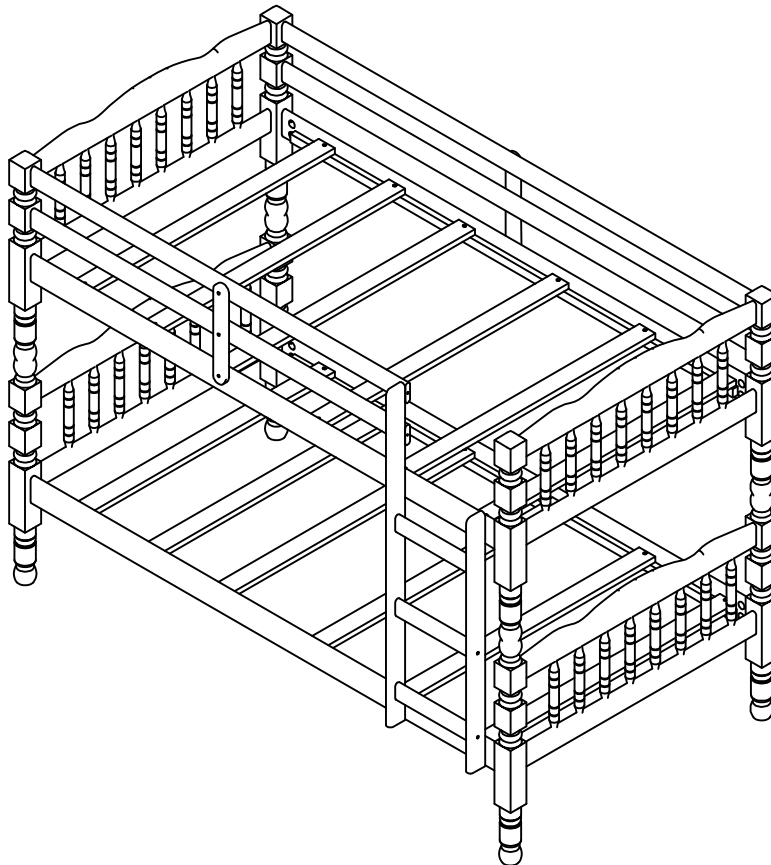
ASSEMBLY INSTRUCTIONS

MODEL #

CM-BK606

Questions?

GIVE US A CALL: 1-888-980-5122
MON – FRI 8:30AM – 5:30PM (PST)



TOOLS REQUIRED



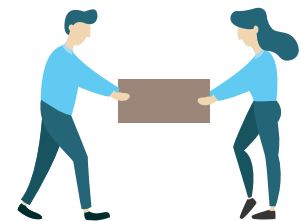
Allen Wrench

(Included)



Phillips
Screwdriver

(Not Included)



**4 - People
Recommended**

ASSEMBLY RATING



EASY —————> DIFFICULT

The Assembly Rating is a 5-point system showing the level of effort needed to assemble a specific product.



FOA Intro

Thank you for your purchase!

We hope you enjoy this new addition to your home for many years to come.

Our commitment to providing quality products does not simply end when you purchase our product. We fully stand behind our products from start to finish. Our customer service department is available Monday – Friday 8:30 AM – 5:30 PM Pacific and can help with assembly questions as well as, if necessary, replacing damaged or missing parts. To help expedite our service, please have these assembly instructions readily available, along with your order receipt.

 **Consumer Hotline**
Toll-Free 1-888-980-5122

 **WEBSITE**
www.foagroup.com

    foagroup

 **Monday to Friday**
8:30AM- 5:30PM (PST)

 **E-MAIL**
cs.ec@foagroup.com

 FurnitureOfAmerica

CHECK BEFORE STARTING

Are you missing anything?

Double-check all parts, hardware and accessories listed on Page 6 are accounted for.

Should we send any replacements?

Are there any irregularities or flaws in the parts? We can send replacements!

Check out our Quick Tips!

We recommend reviewing the pre-assembly handouts. Even experts need a refresher now and then!

Prep Time!

Please review the assembly instructions and all diagrams prior to assembling. Arrange parts as recommended on Page 7 and group identical hardware together to make assembling easier.

PRE ASSEMBLY INTRODUCTION

We understand building ready-to-assemble furniture can be a challenging experience for some. To help avoid confusion, we have provided some helpful tips that may speed up the process.



Teamwork

ALWAYS have at least two people to help with transporting and assembling the product to avoid potential injury and/or damage.



Suitable Location

Assembling near the area of the intended location is highly recommended.



Sufficient Space

Make sure you have enough space to move around during the assembly.



Avoid Scratches

Use cardboard, blankets or a carpeted area while assembling furniture to prevent scratches.



Flat Surface

Make sure the furniture rests on a flat and level surface with each leg evenly touching the floor.

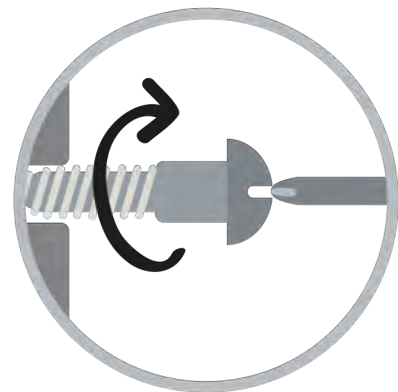
ASSEMBLY AND CARE ADVICE



FAILURE TO FOLLOW THE GUIDELINES BELOW MAY RESULT IN INJURY AND/OR PROPERTY DAMAGE.



Position each part correctly and insert screws or bolts into their respective holes.



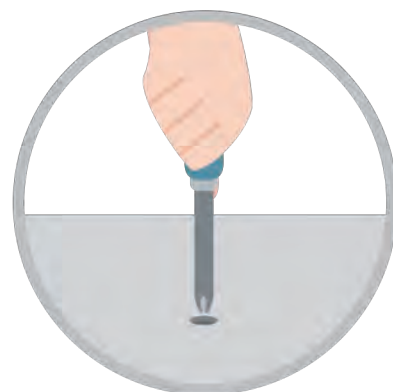
Turn clockwise to tighten and only tighten when step is completed or when instructed to do so.



Use the appropriate hand tools or power tools for assembly. Select steps, such as tightening screws and/or bolts, may require hand tools to avoid causing damage during assembly.



Save the instructions and store any supplied tools for later maintenance.



After two weeks, check and tighten any loose hardware and repeat again every six months thereafter.

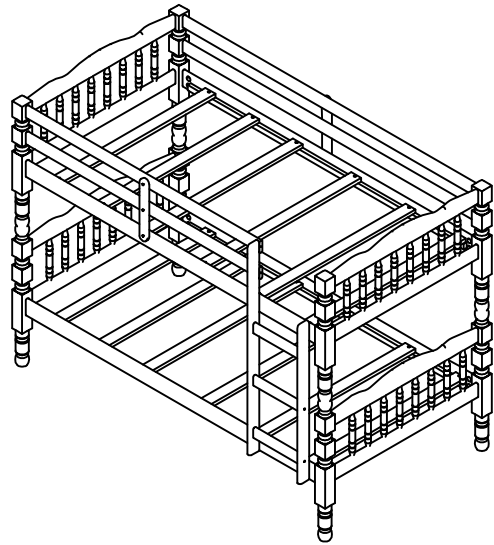
IT IS THE USER'S RESPONSIBILITY TO MAINTAIN THE FURNITURE. THE HARDWARE MAY LOOSEN OVER TIME AND MAY CAUSE THE FURNITURE TO BE WOBBLY AND UNABLE TO SUPPORT ITS INTENDED WEIGHT CAPACITY. THIS MAY LEAD TO COLLAPSE AND MAY CAUSE SERIOUS INJURY.

BUNK BED

CM-BK606

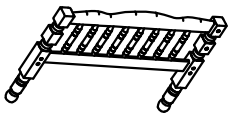


- Please keep instructions for future reference.
- Check the quantity and irregularity of parts and hardware before you start.



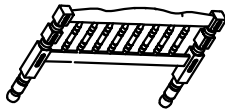
PARTS

#1 1pc



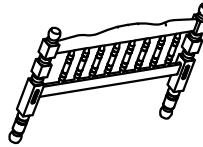
Top Side Panel (R)

#2 1pc



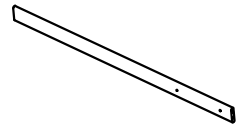
Top Side Panel (L)

#3 2pcs



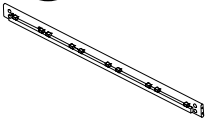
Bottom Side Panel

#4 2pcs



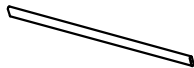
Font side Rail

#5 2pcs



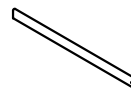
Back side Rail

#6 2pcs



Back Guardaril Bars

#7 2pcs



Front Guardaril Bars

#8 12pcs



Slats

#9 2pcs



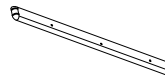
Guardaril Reinforce Bars

#10 1pc



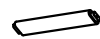
Ladder(L)

#11 1pc



Ladder(R)

#12 3pcs



Ladder Steps

HARDWARE

#A 16pcs



BOLT Ø1/4"x 4-1/8"

#B 6pcs



BOLT Ø1/4"x 1-9/16"

#C 6pcs



BOLT Ø1/4"x 1-3/4"

#D 6pcs



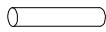
BOLT Ø1/4" x 3-9/16"

#E 30pcs



Screw M4 x 1-3/16"

#F 4pcs



Metal Dowel
Ø9x90mm

#G 1pc



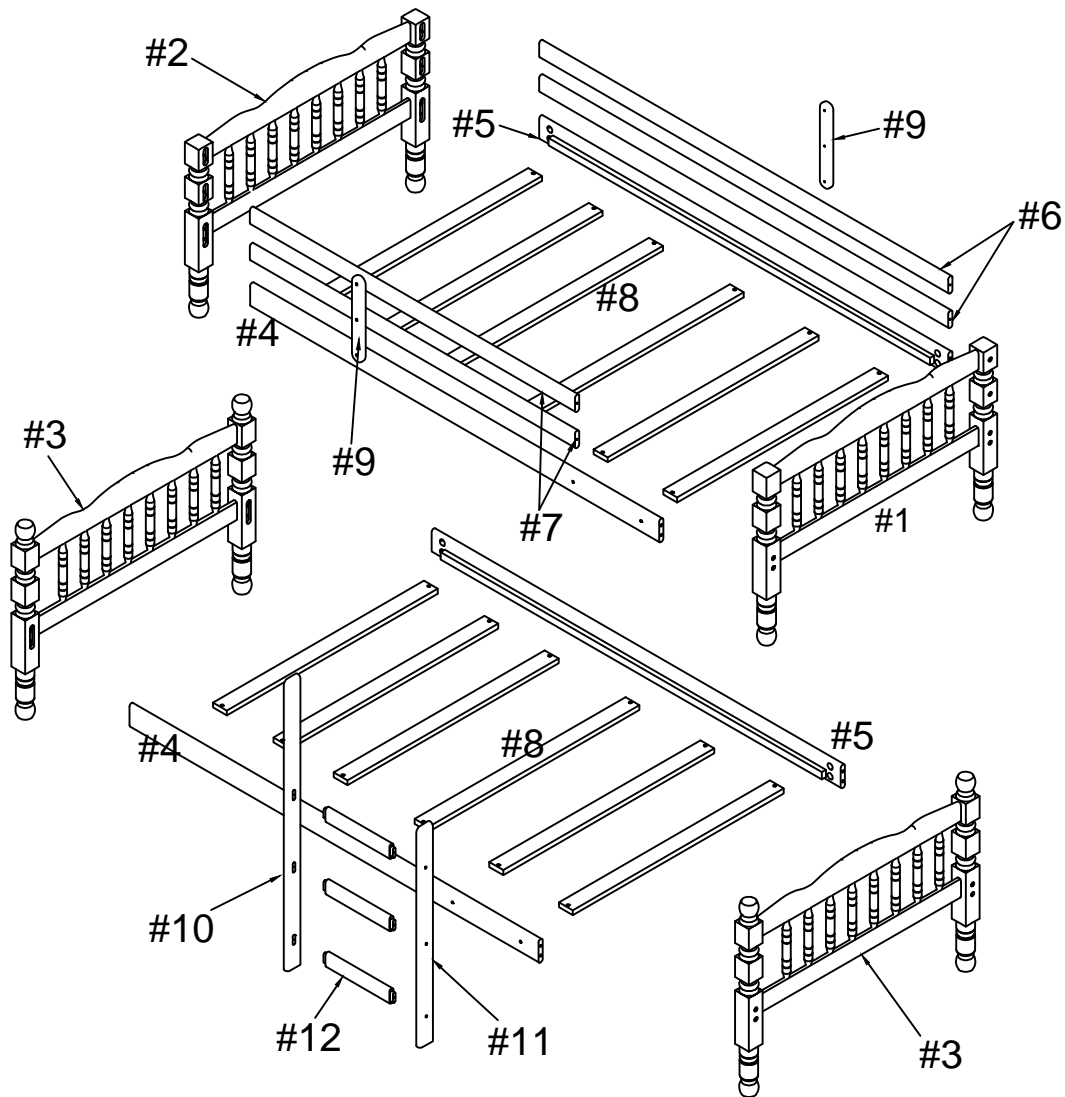
Allen Wrench M4

#H 16pcs

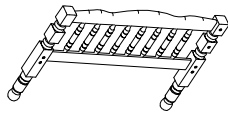
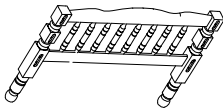
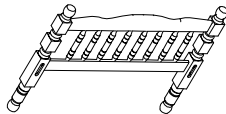
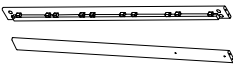
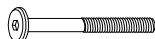




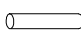


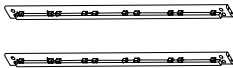
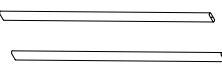
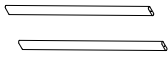
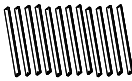

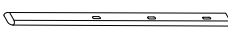
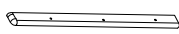
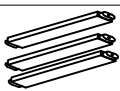


Screws _noom

Exploded View



CM-BK606 is packed in 2 cases

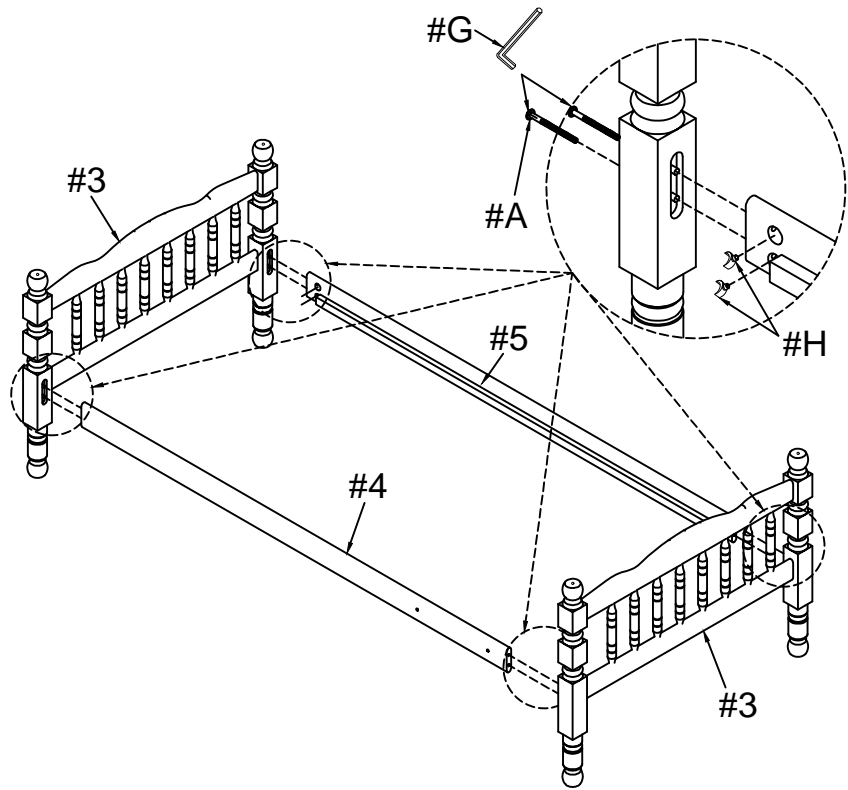
Carton	Disignation	Part	Hardware
CM-BK606-1	Top Side Panel (R)	#1 	
	Top Side Panel (L)	#2 	
	Bottom Side Panel	#3 	
CM-BK606-2	Front Side Rails	#4 	 #A x 16pcs  #B x 6pcs  #C x 6pcs  #D x 6pcs  #Ex 30pcs  #F x 4pcs  #G x 1pcs  #H x 16pcs
	Back Side Panel	#5 	
	Back Guardaril Bars	#6 	
	Font Guardaril Bars	#7 	
	Slats	#8 	
	Guardaril Reinforce Bars	#9 	
	Ladder (Left)	#10 	
	Ladder (Right)	#11 	
	Ladder Steps	#12 	

ASSEMBLY INSTRUCTIONS

Align bottom side panels (#3) to the side rails (#4,5), then secure by using bolts (#A) onto moons (#H).

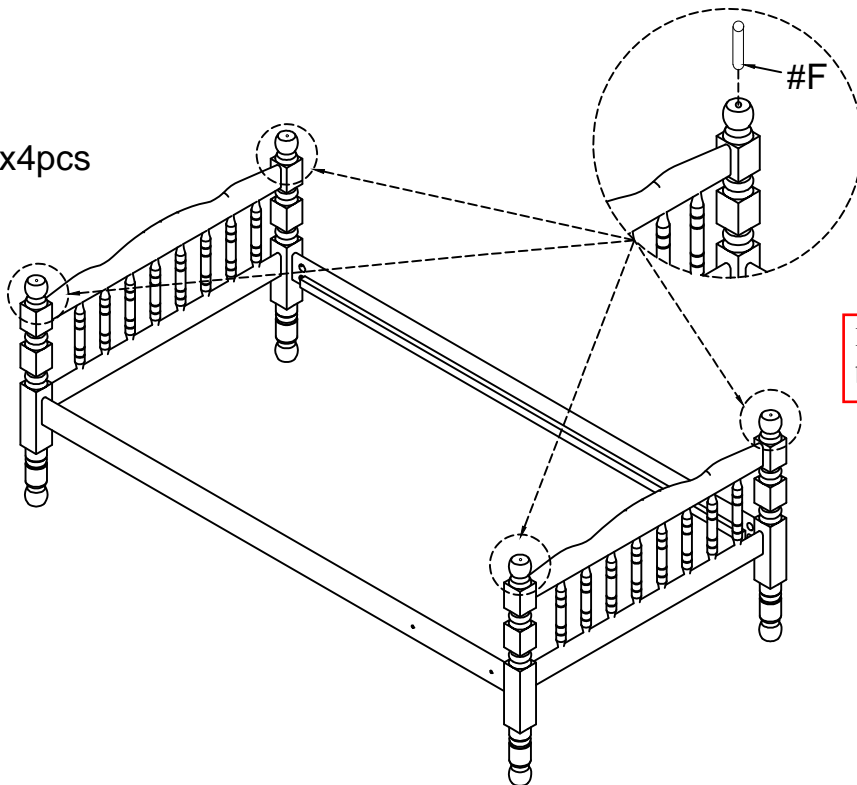
1

- Part #3 x2pcs
- Part #4 x1pc
- Part #5 x1pc
- Hardware #A x8pcs
- Hardware #H x8pcs



2

- Hardware #F x4pcs



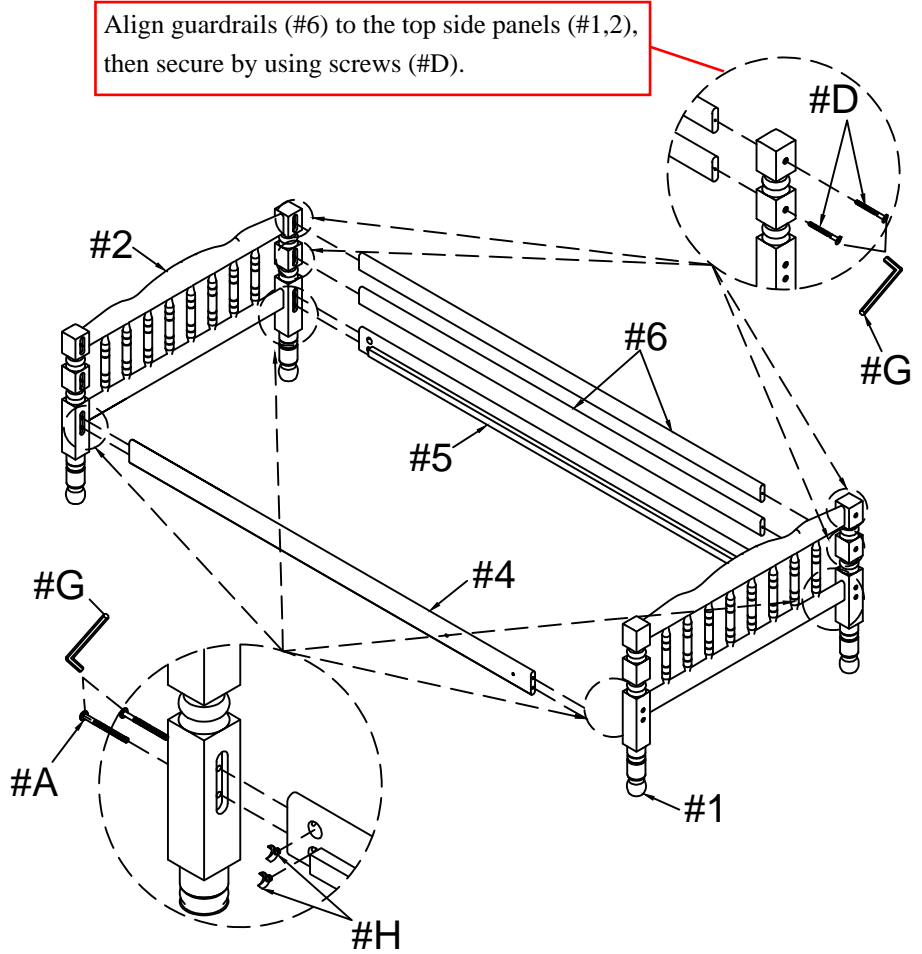
Insert dowels (#F) to the top of the bunk bed as shown in the diagram.

ASSEMBLY INSTRUCTIONS

3

- Part #1 x1pc
- Part #2 x1pc
- Part #4 x1pc
- Part #5 x1pc
- Part #6 x2pcs
- Hardware #A x8pcs
- Hardware #D x4pcs
- Hardware #H x8pcs

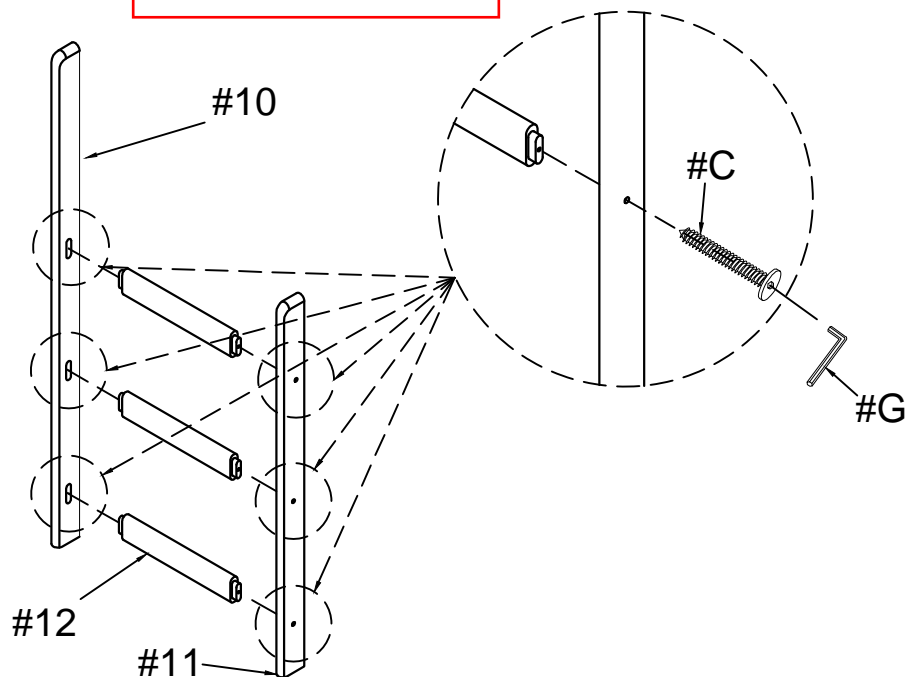
Align side rails (#4,5) to the top side panels (#1,2), then secure by using bolts (#A) onto moons (#H).



4

- Part #10 x1pc
- Part #11 x1pc
- Part #12 x3pcs
- Hardware #C x6pcs

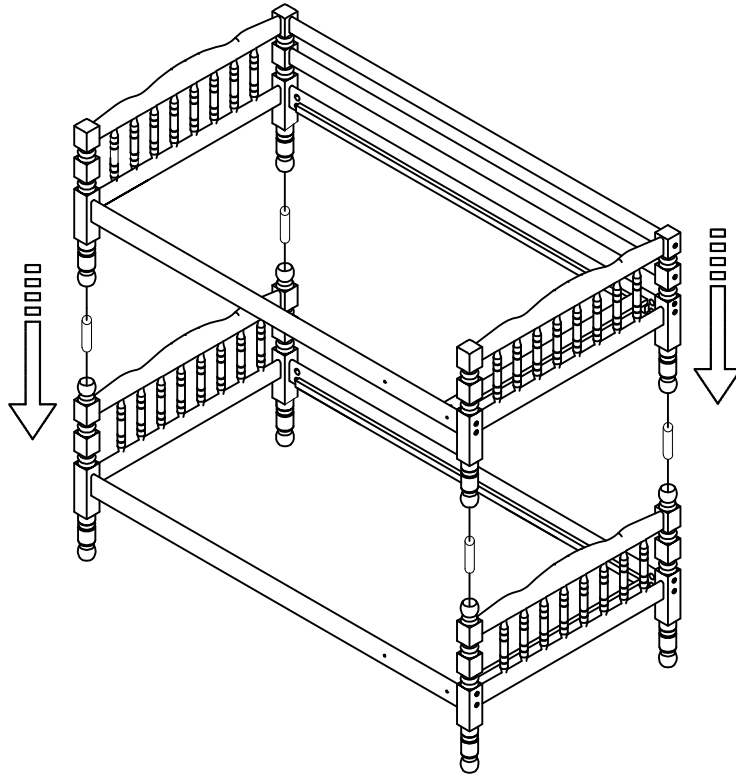
Align ladder steps (#12) to the ladder rails (#10,11), then secure by using screws (#C).



ASSEMBLY INSTRUCTIONS

5

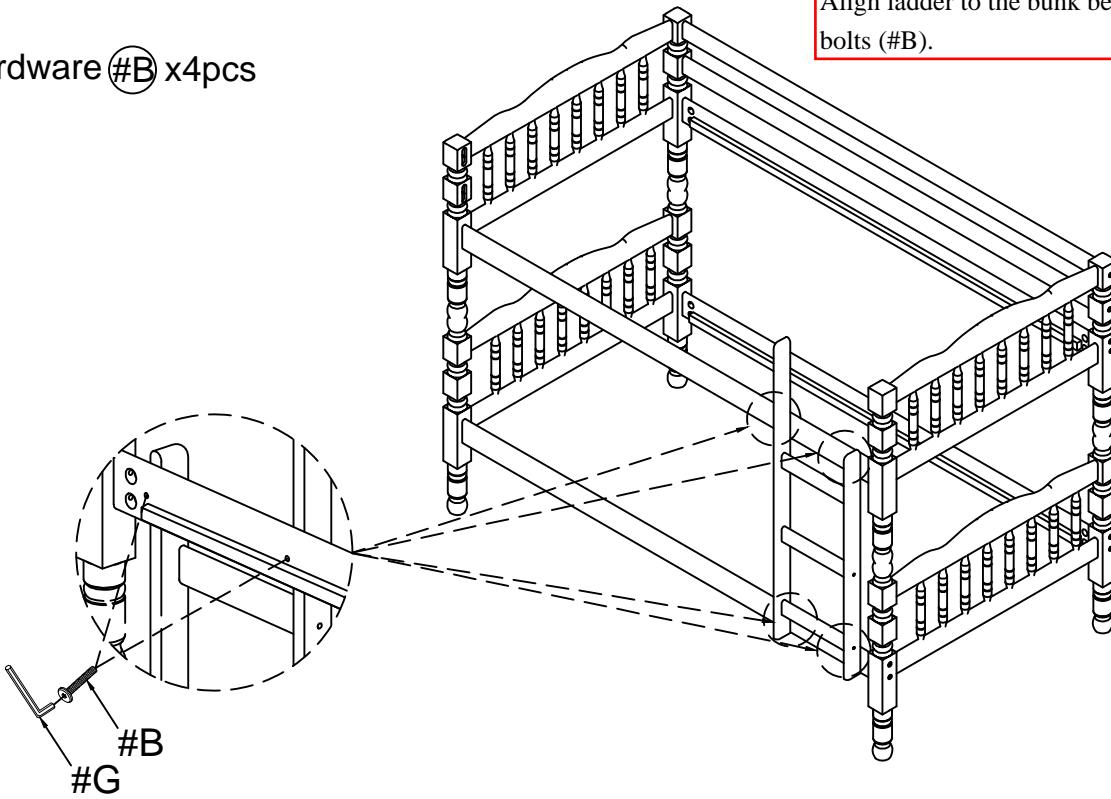
Align and place the top bunk onto the bottom bunk.



6

Hardware #B x4pcs

Align ladder to the bunk bed, then secure by using bolts (#B).



ASSEMBLY INSTRUCTIONS

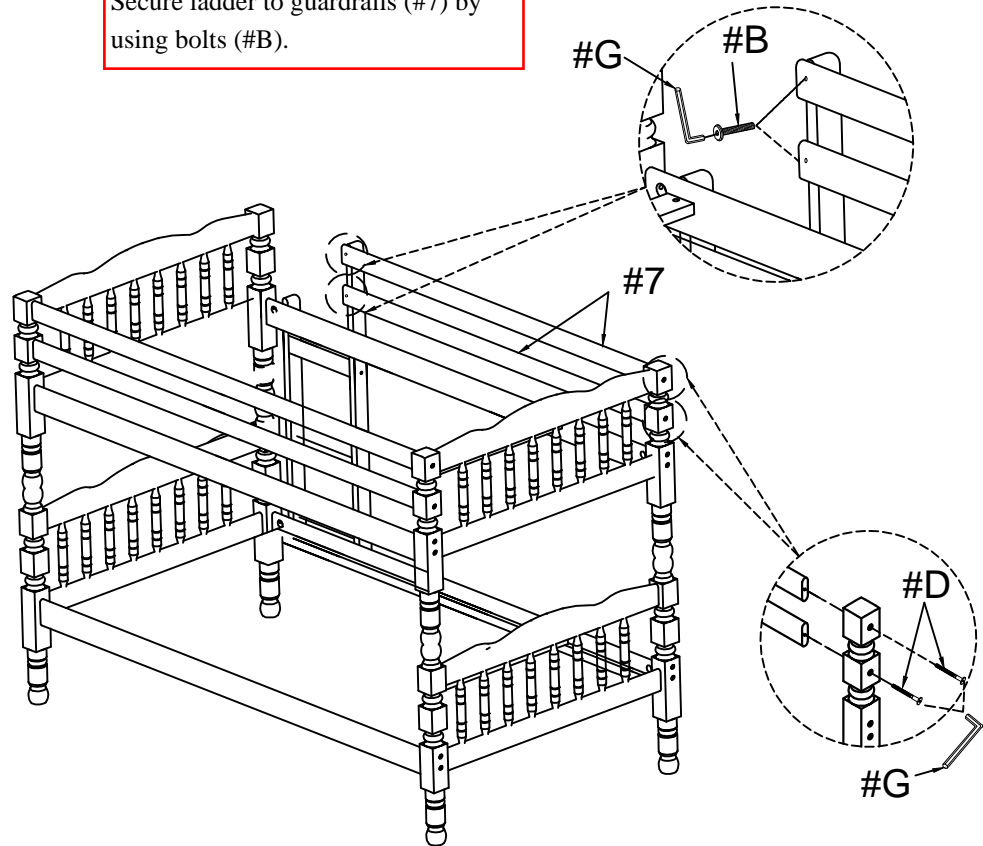
7

Part #7 x2pcs

Hardware #B x2pcs

Hardware #D x2pcs

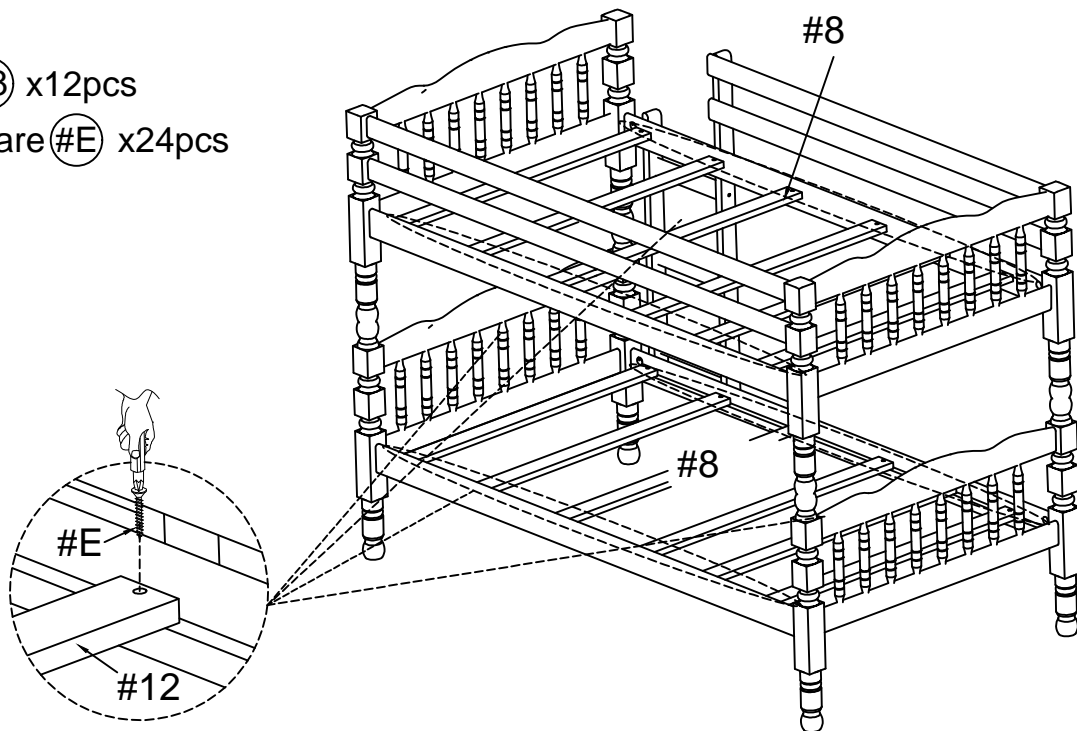
Align guardrails (#7) to top bunk side panel, then secure by using bolts (#D).
Secure ladder to guardrails (#7) by using bolts (#B).



8

Part #8 x12pcs

Hardware #E x24pcs



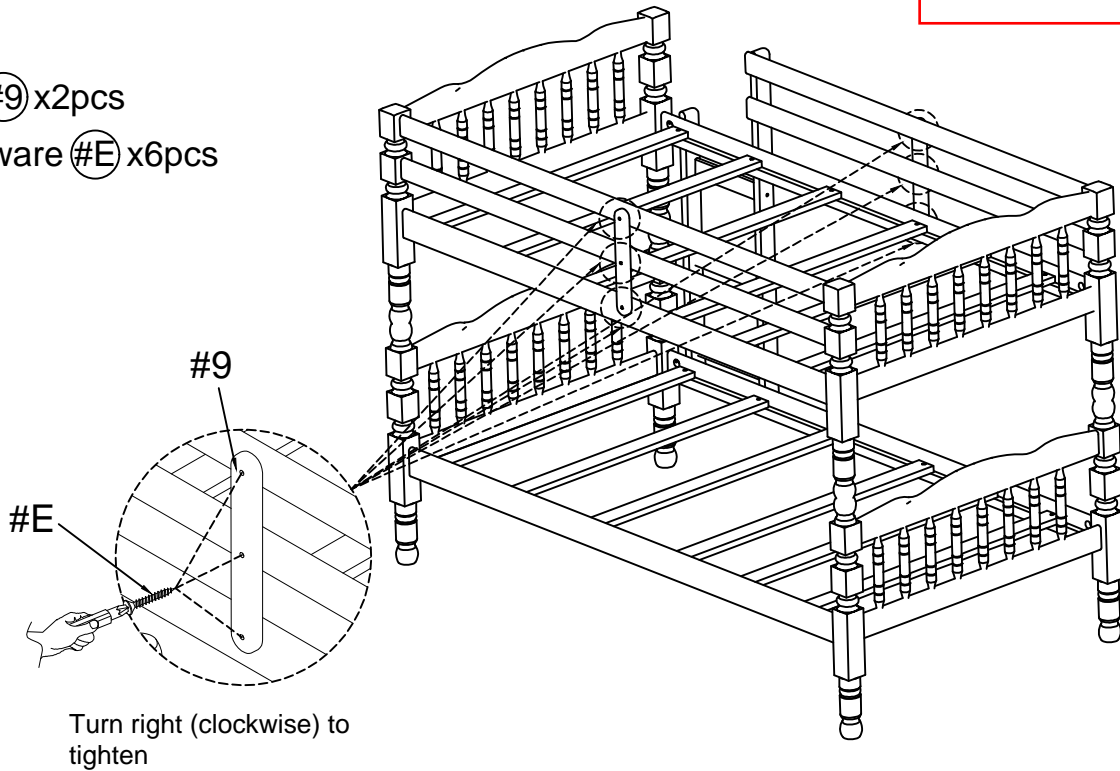
Align slats (#12) to the bunk bed, then secure by using screws (#E).

ASSEMBLY INSTRUCTIONS

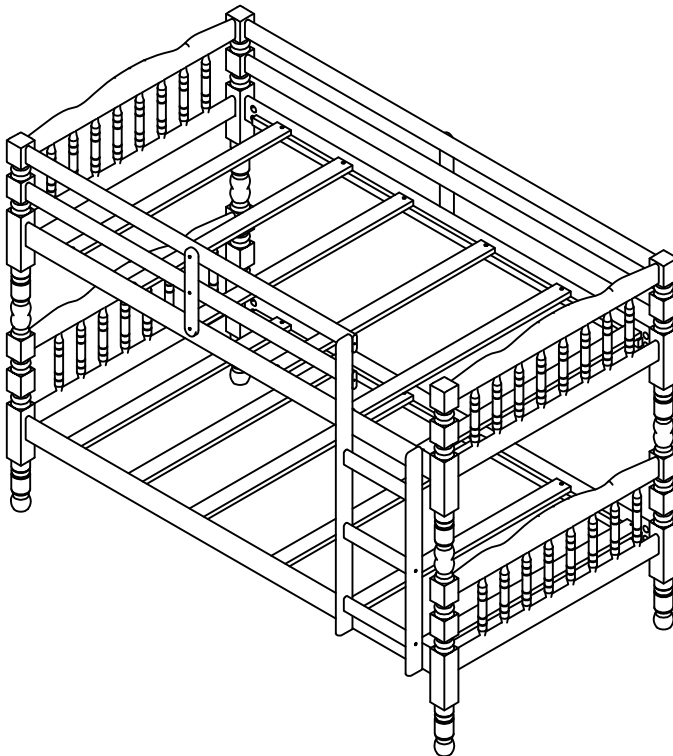
9

Part #9 x2pcs

Hardware #E x6pcs



10



ASSEMBLY COMPLETED



Please ensure the furniture rests on an even and flat surface. If the product wobbles or feels loose, double-check all bolts and/or screws are properly tightened and secured.

✓ Keep this handy!

Please retain this instruction manual and any order-related information for future reference.

✓ Lift, don't drag!

To avoid damage to product please always LIFT the product when transporting or adjusting the placement.

Safety Warnings for Bunk Beds

1. Read and follow the information on the WARNINGS shown on the end structure of the upper bunk and on the carton.
2. Do not remove warning label from the bed.
3. Keep these instructions for future reference.
4. **IMPORTANT: Must use Bunkie mattress or Bunkie board.** The proper sizes for the **UPPER/LOWER TWIN-SIZE** Bunkie mattress or Bunkie board should be 74" long and 37½" - 38½" wide with no more than 6" thickness and for the **UPPER/LOWER FULL-SIZE** should be 74" long and 53" - 54" wide with no more than 6" thickness.
5. Surface of mattress must be at least 5 inches (127 mm) **BELOW** the upper edge of guardrails.
6. The **MAXIMUM** weight capacity for the upper bunk is not to exceed 175 lbs.
7. Do not allow children under 6 years of age to use the upper bunk.
8. Periodically check and ensure that the guardrails, ladder, handle and other components are in their proper position, free from damage, and that all connectors are tightened and secured.
9. **DO NOT** allow horseplay, rough playing or jumping on the beds and do not allow playing or hiding under the beds.
10. Always use the ladder for entering or leaving the upper bunk.
11. Do not use substitute parts. Contact the manufacturer or dealer for replacement parts.
12. Use of a nightlight may provide added safety precaution for a person using the upper bunk.
13. Always use the guardrails on both sides of the upper bunk.
14. If the bunk bed will be placed next to a wall, the guardrail that runs the full length of the bed should be placed against the wall to prevent entrapment between the bed and the wall.
15. The use of water or sleep flotation mattresses is prohibited.
16. No more than one person is allowed on the upper bunk at all times.



WARNING: STRANGULATION HAZARD

Never attach or hang objects to any part of the bunk bed that are not designed for use with the bed. Objects such as hanger, hook, belt, bag, rope, string, etc. should not be used on or around the bunk bed.