



Furniture of America®

# ASSEMBLY INSTRUCTIONS

MODEL #

## CM-BK1029

Questions?

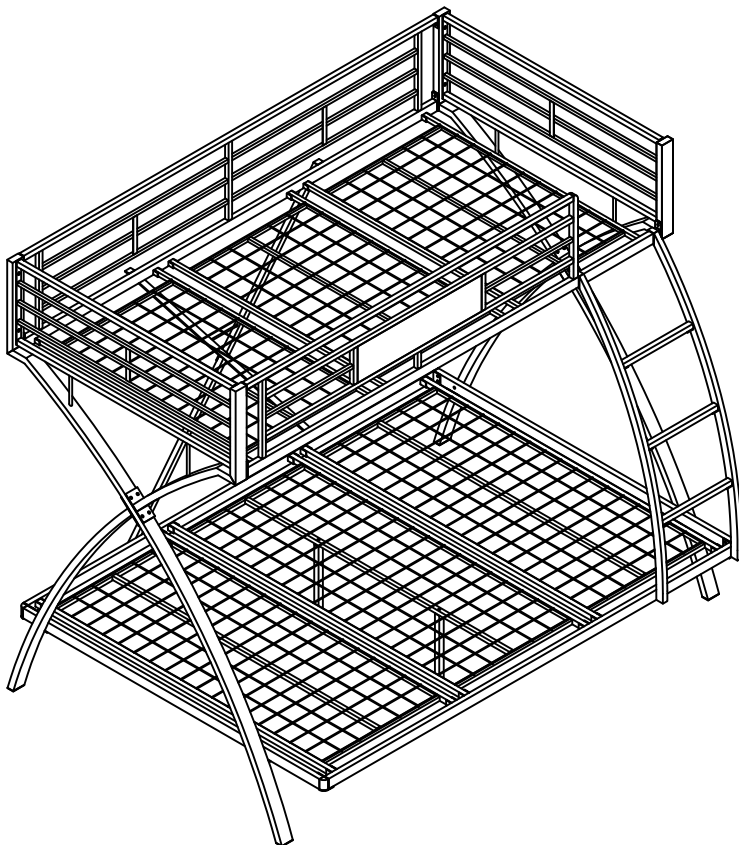
GIVE US A CALL: 1-888-980-5122  
MON – FRI 8:30AM – 5:30PM (PT)

### TOOLS REQUIRED



Allen Wrench

(Included)



3 - People Recommended

### ASSEMBLY RATING



EASY → DIFFICULT

The Assembly Rating is a 5-point system showing the level of effort needed to assemble a specific product.




FOA Intro

Thank you for your purchase!


We hope you enjoy this new addition to your home for many years to come.

Our commitment to providing quality products does not simply end when you purchase our product. We fully stand behind our products from start to finish. Our customer service department is available Monday – Friday 8:30 AM – 5:30 PM Pacific Time and can help with assembly questions as well as, if necessary, replacing damaged or missing parts. To help expedite our service, please have these assembly instructions readily available, along with your order receipt.


 **Consumer Hotline**  
Toll-Free 1-888-980-5122

 **WEBSITE**  
[www.foagroup.com](http://www.foagroup.com)

    foagroup

 **Monday to Friday**  
8:30AM- 5:30PM (PT)

 **E-MAIL**  
[cs.ec@foagroup.com](mailto:cs.ec@foagroup.com)

 FurnitureOfAmerica

---

## CHECK BEFORE STARTING

**Are you missing anything?**  
Double-check all parts, hardware and accessories listed are all accounted for.

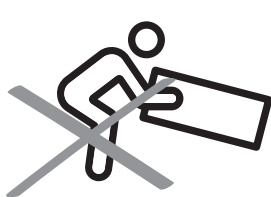
**Should we send any replacements?**  
Are there any irregularities or flaws in the parts? We can send replacements!

**Check out our Quick Tips!**  
We recommend reviewing the pre-assembly handouts. Even experts need a refresher now and then!

**Prep Time!**  
Please review the assembly instructions and all diagrams prior to assembling.

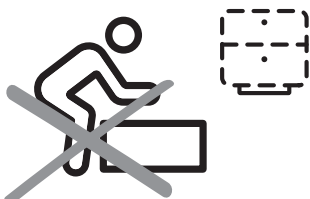
# PRE ASSEMBLY INTRODUCTION

We understand building ready-to-assemble furniture can be a challenging experience for some. To help avoid confusion, we have provided some helpful tips that may speed up the process.



## Teamwork

ALWAYS have at least two people to help with transporting and assembling the product to avoid potential injury and/or damage.



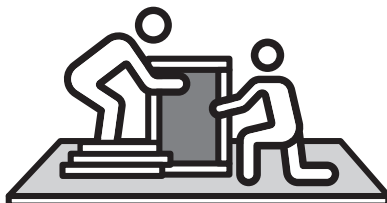
## Suitable Location

Assembling near the area of the intended location is highly recommended.



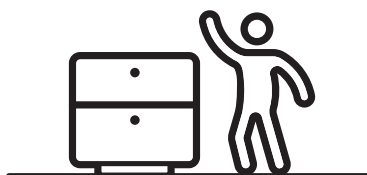
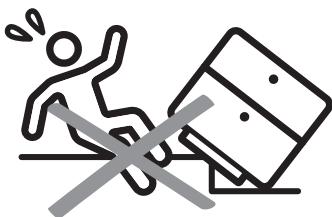
## Sufficient Space

Make sure you have enough space to move around during the assembly.



## Avoid Scratches

Use cardboard, blankets or a carpeted area while assembling furniture to prevent to prevent scratches and damages.



## Flat Surface

Make sure the furniture rests on a flat and level surface with each leg evenly touching the floor.

# ASSEMBLY AND CARE ADVICE



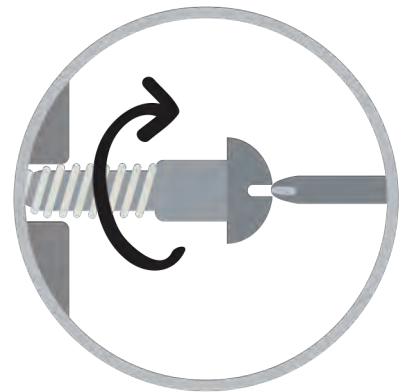
**FAILURE TO FOLLOW THE GUIDELINES BELOW MAY RESULT IN INJURY AND/OR PROPERTY DAMAGE.**



Position each part correctly and insert screws or bolts into their respective holes.



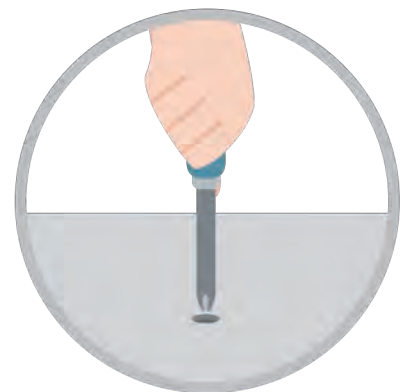
Use the appropriate hand tools or power tools for assembly. Select steps, such as tightening screws and/or bolts, may require hand tools to avoid causing damage during assembly.



Turn clockwise to tighten and only tighten when step is completed or when instructed to do so.



Save the instructions and store any supplied tools for later maintenance.



After two weeks, check and tighten any loose hardware and repeat again every six months thereafter.

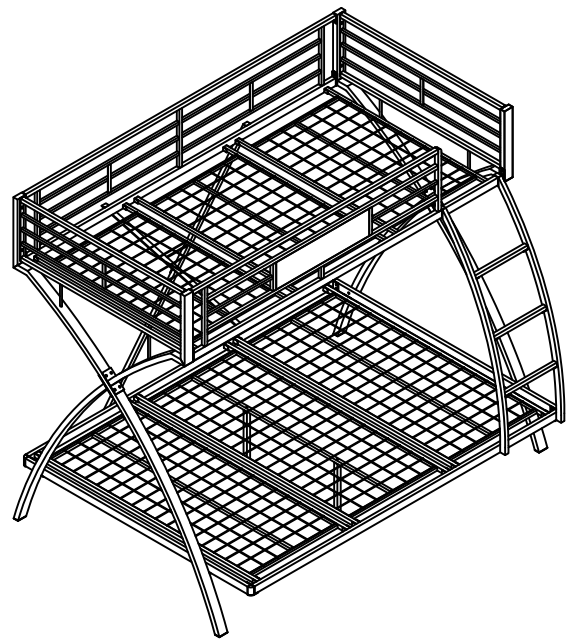
**IT IS THE USER'S RESPONSIBILITY TO MAINTAIN THE FURNITURE. THE HARDWARE MAY LOOSEN OVER TIME AND MAY CAUSE THE FURNITURE TO BE WOBBLY AND UNABLE TO SUPPORT ITS INTENDED WEIGHT CAPACITY. THIS MAY LEAD TO COLLAPSE AND MAY CAUSE SERIOUS INJURY.**

# BUNKBED

CM-BK1029

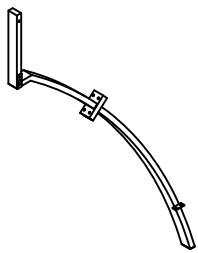


- Please keep instructions for future reference.
- Check the quantity and irregularity of parts and hardware before you start.



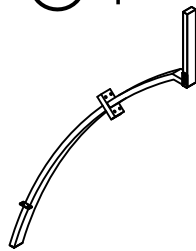
## PARTS

#1 1pc



Left Front Post

#2 1pc



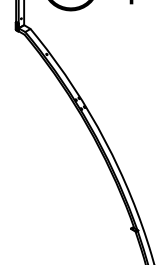
Right Front Post

#3 1pc



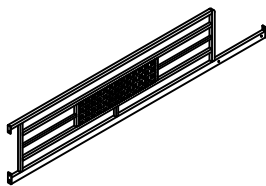
Left Back Post

#4 1pc



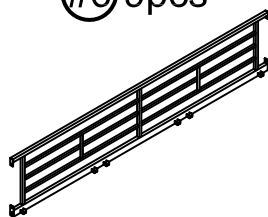
Right Back Post

#5 3pcs



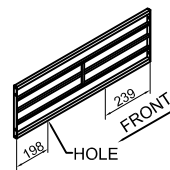
Front Guardrail

#6 9pcs



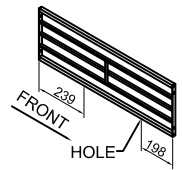
Back Guardrail

#7 1pc



Left Panel

#8 1pc



Right Panel

#9 1pc



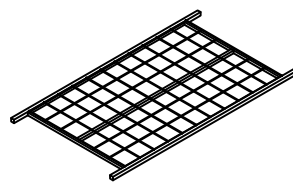
Back Cross bar A

#10 1pc



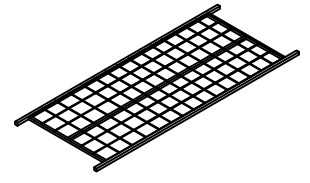
Back Cross bar B

#11 3pcs



Bed Base Frame A

#12 2pcs



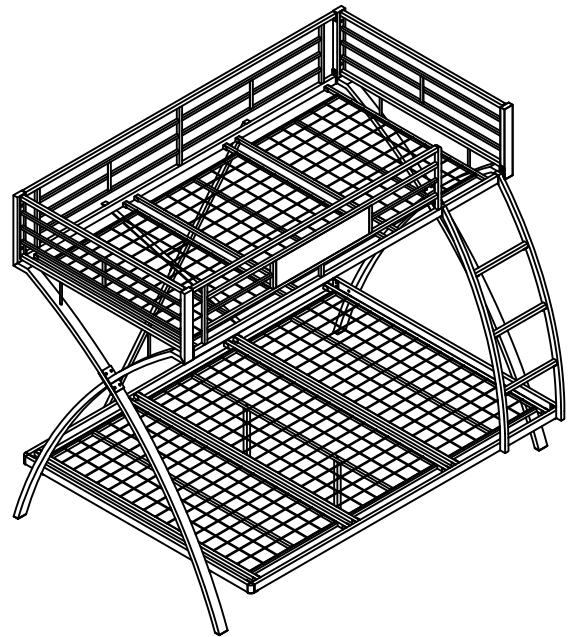
Bed Base Frame B

# BUNKBED

CM-BK1029

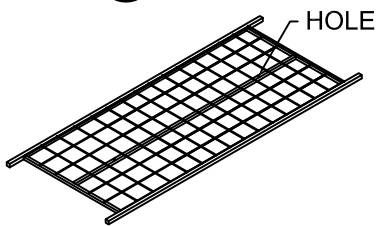


- Please keep instructions for future reference.
- Check the quantity and irregularity of parts and hardware before you start.



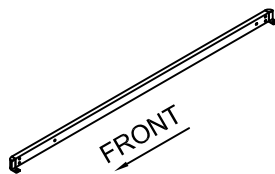
## PARTS

#13 1pc



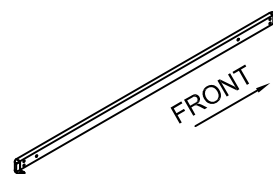
Bed Base Frame C

#14 1pc



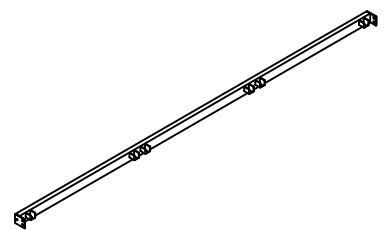
Left Side Rail

#15 1pc



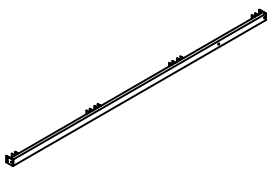
Right Side Rail

#16 1pc



Back Rail

#17 1pc



Front Rail

#18 1pc



Left Ladder Rail

#19 1pc



Right Ladder Rail

#20 3pcs



Ladder pedal

#21 2pc



Support Leg

#22 1pc



Connected Tube A

#23 4pcs



Connected Tube B

## HARDWARE

#A 14pcs



Bolt 1/4" x 1-3/8"

#B 8pcs



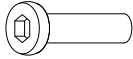
Bolt 1/4" x 1"

#C 66pcs



Bolt 1/4" x 5/8"

#D 8pcs



T Nut 1/4" x 5/8"

#E 88pcs



Flat Washer  $\phi$ 16mm

#F 2pcs



Allen Wrench M4



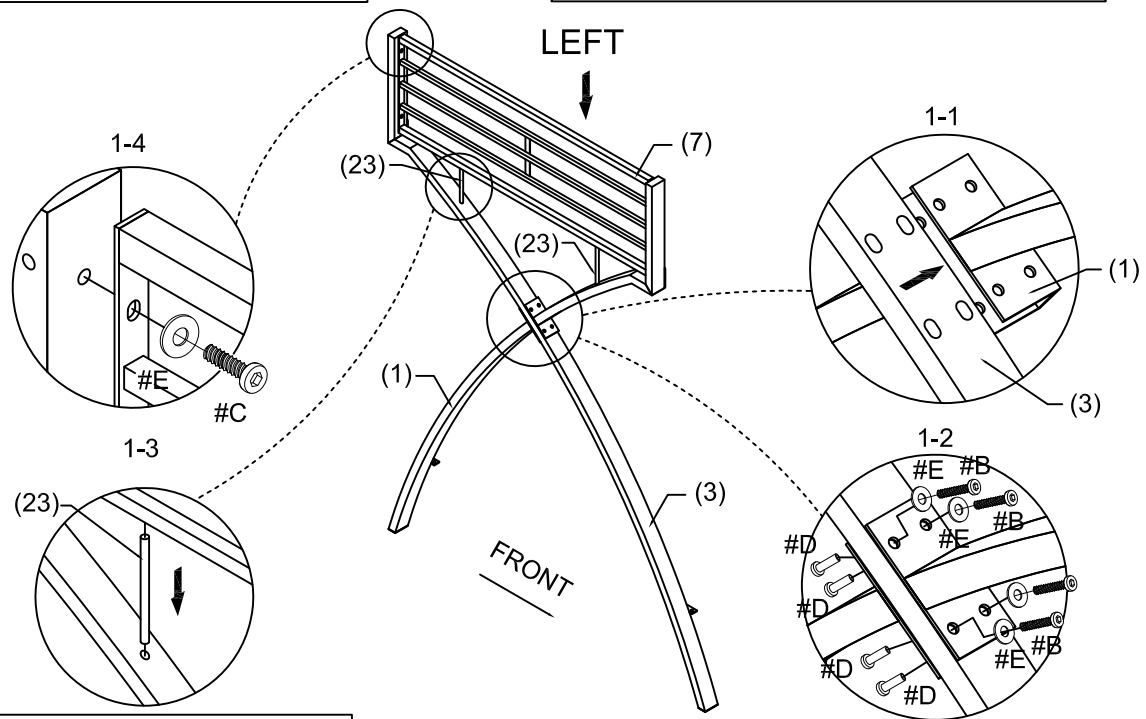
# ASSEMBLY INSTRUCTIONS

1

Note:  
Do not fully tighten all bolts until assembly is complete. This will help all parts to assemble properly.

1) Attach the left back post (#3) to the left front post (#1), then secure by using bolts (#B), T-nut (#D), with washers (#E).

- Part #1 x1pc
- Part #3 x1pc
- Part #7 x1pc
- Part #23 x1pc
- Hardware #B x4pcs
- Hardware #C x4pcs
- Hardware #D x4pcs
- Hardware #E x8pcs
- Hardware #F x1pc

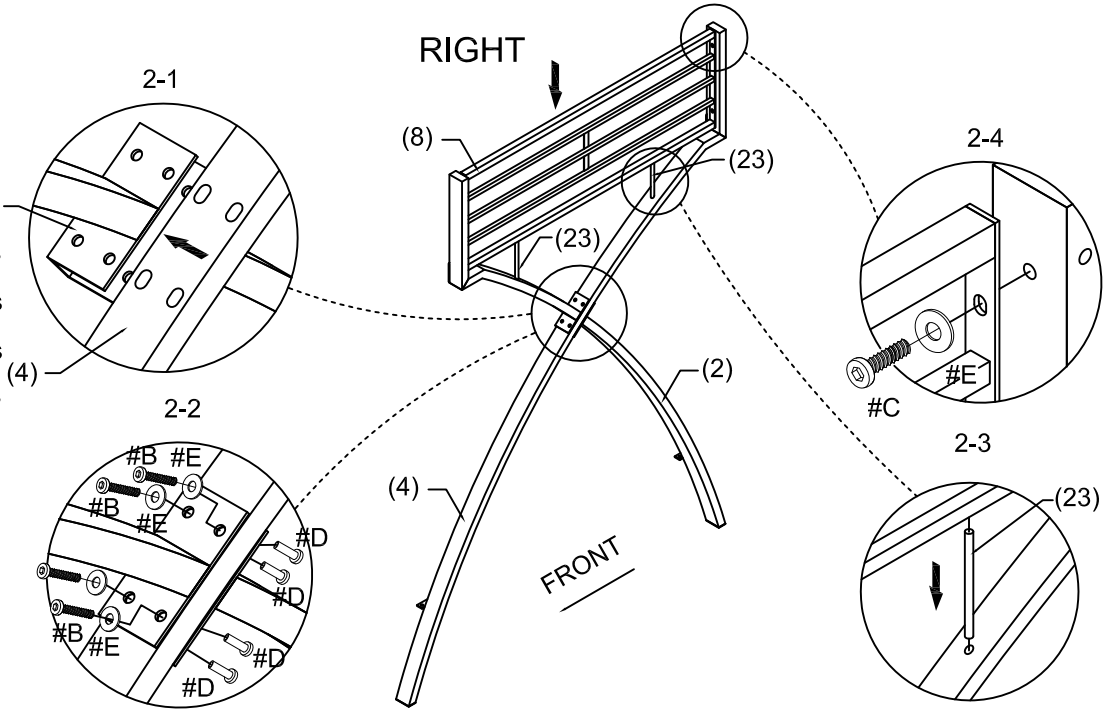


2) Attach the connected tube B (#23) to the holes of the left posts (#1,3) and left panel (#7), then secure by using bolts (#C) with washers (#E).

2) Attach the left back post (#3) to the left front post (#1), then secure by using bolts (#B), T-nut (#D), with washers (#E).

2

- Part #2 x1pc
- Part #4 x1pc
- Part #8 x1pc
- Part #23 x1pc
- Hardware #B x4pcs
- Hardware #C x4pcs
- Hardware #D x4pcs
- Hardware #E x8pcs
- Hardware #F x1pc



2) Attach the connected tube B (#23) to the holes of the left posts (#1,3) and left panel (#7), then secure by using bolts (#C) with washers (#E).



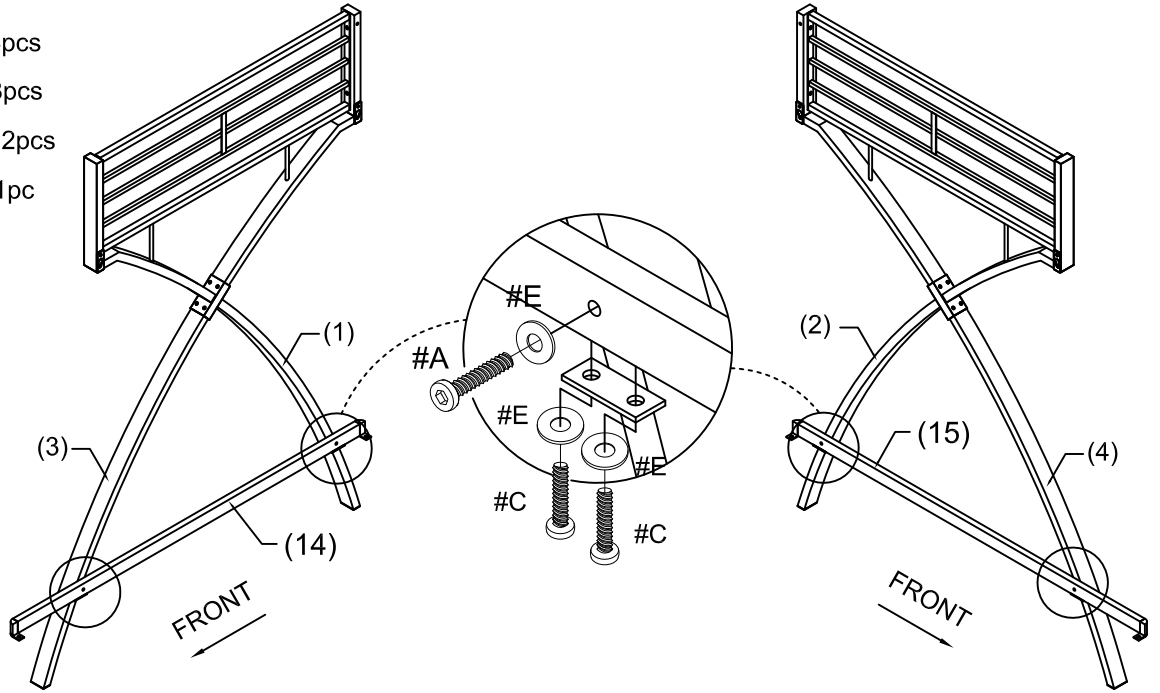
# ASSEMBLY INSTRUCTIONS

## 3

- Part #14 x1pc
- Part #15 x1pc
- Hardware #A x4pcs
- Hardware #C x8pcs
- Hardware #E x12pcs
- Hardware #F x1pc

1) Attach the left side panel (#14) to the left HB as shown in the picture, then secure by using bolts (#A) with washers (#E).

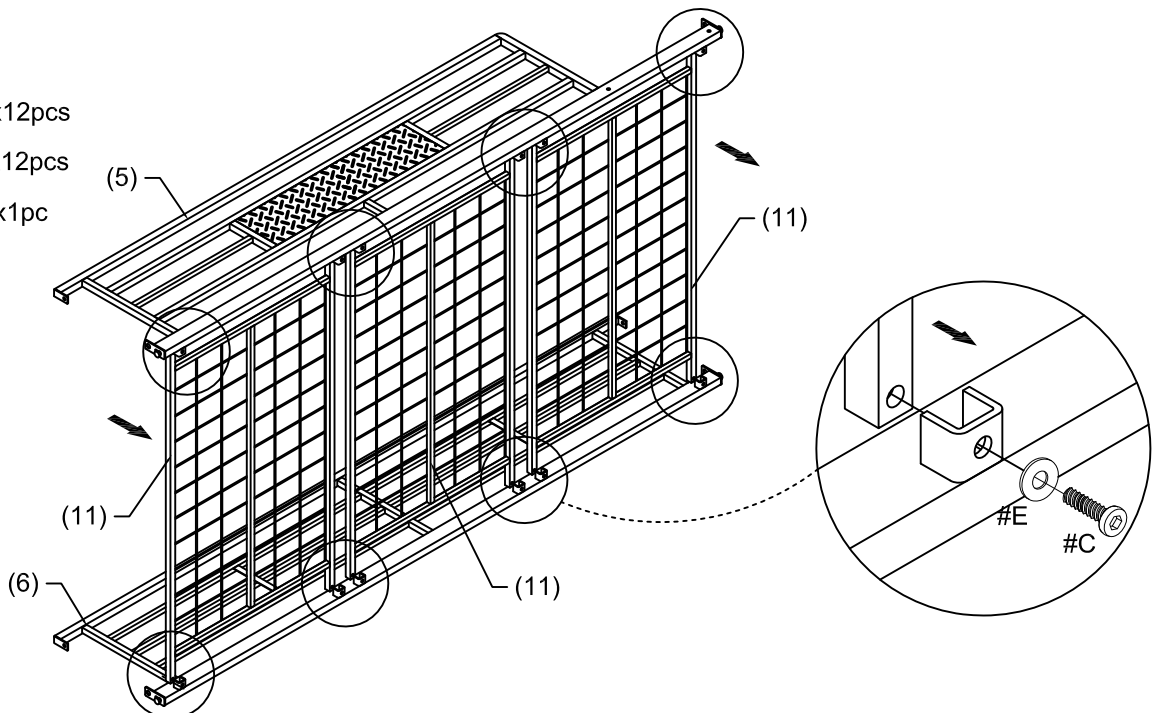
2) Attach the left side panel (#15) to the right HB as shown in the picture. (#2,4), then secure by using bolts (#A) with washers (#E).



## 4

- Part #5 x1pc
- Part #6 x1pc
- Part #11 x3pcs
- Hardware #C x12pcs
- Hardware #E x12pcs
- Hardware #F x1pc

Attach the bed base frame (#11) to the guardrails (#5,6), then secure by using bolts (#C) with washers (#E).



# ASSEMBLY INSTRUCTIONS

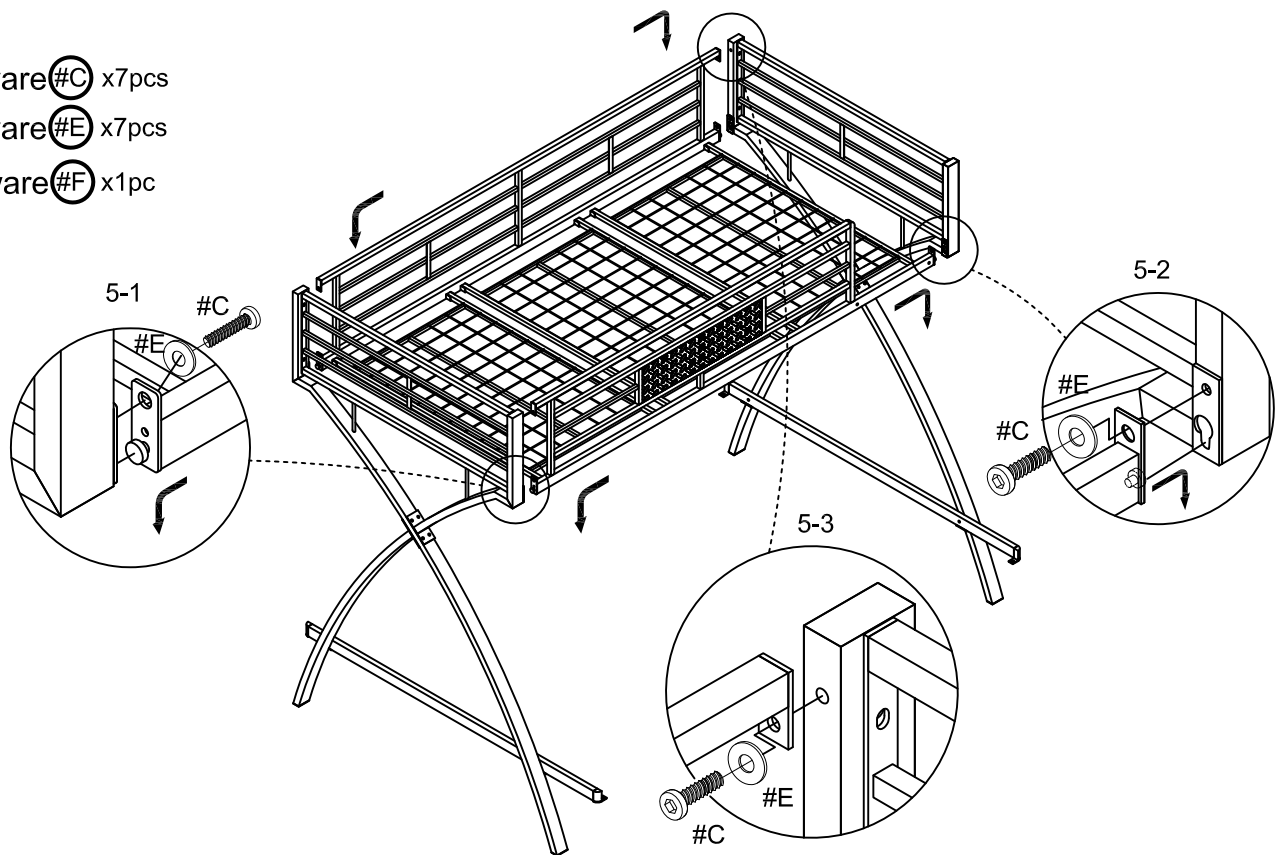
## 5

Hardware #C x7pcs

Hardware #E x7pcs

Hardware #F x1pc

Attach the guardrails (#5,6) to the left & right HB as shown in the picture, then secure by using bolts (#C) with washers (#E).



## 6

Part #16 x1pc

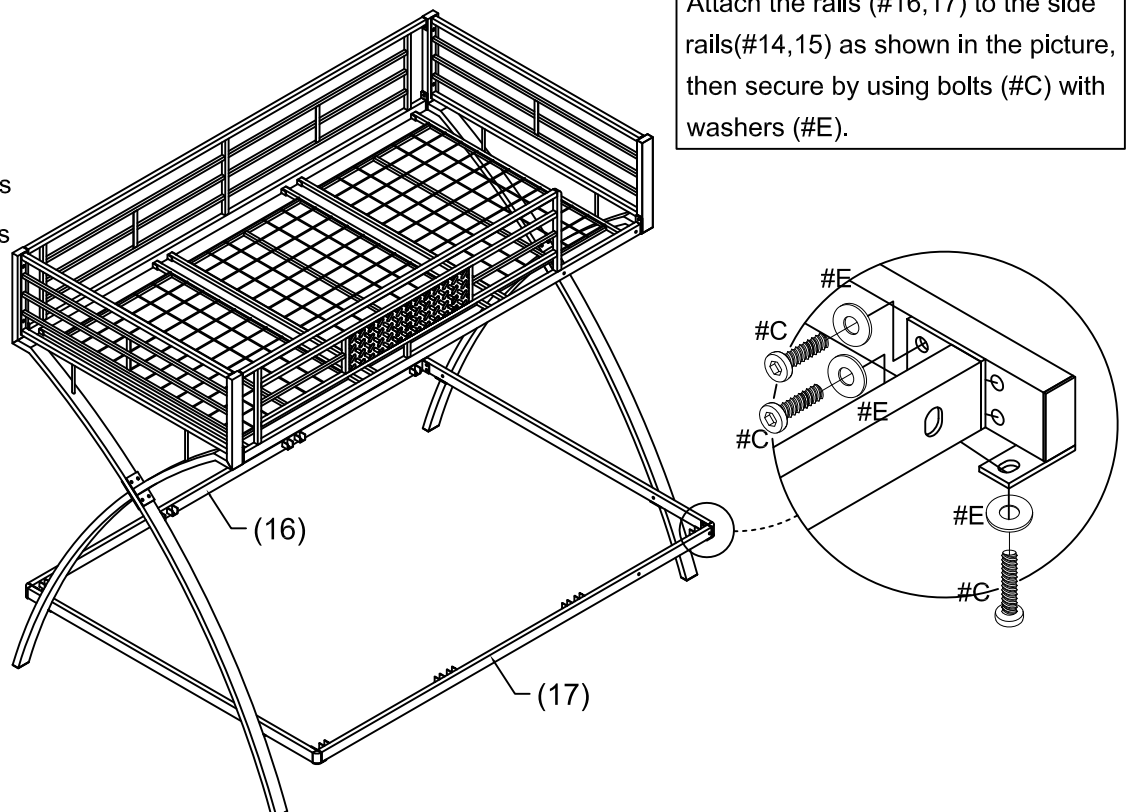
Part #17 x1pc

Hardware #C x12pcs

Hardware #E x12pcs

Hardware #F x1pc

Attach the rails (#16,17) to the side rails(#14,15) as shown in the picture, then secure by using bolts (#C) with washers (#E).



# ASSEMBLY INSTRUCTIONS

## 7

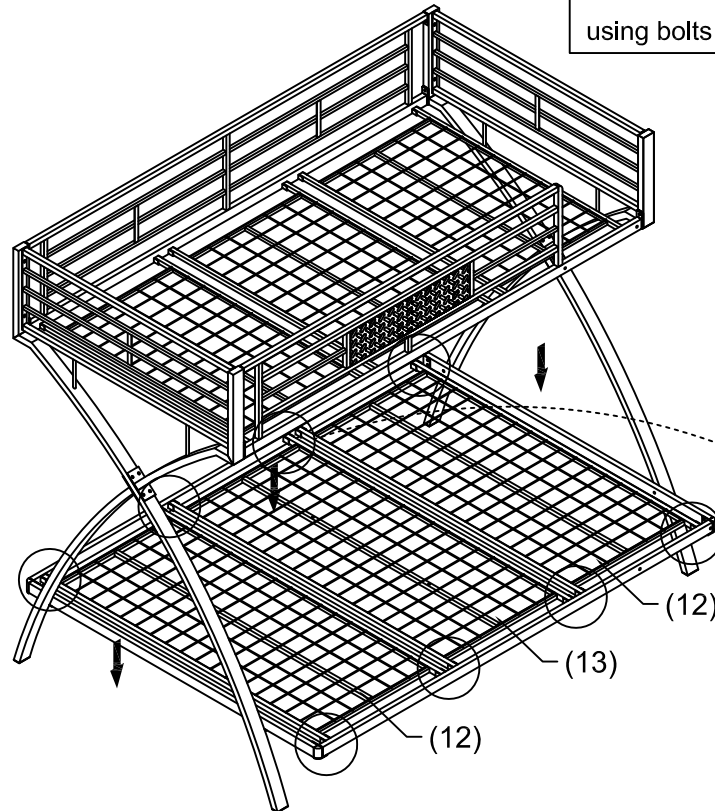
Part **#17** x1pc

Part **#18** x1pc

Hardware **#D** x6pcs

Hardware **#G** x6pcs

Hardware **#I** x1pc



Attach the bed base frames (#12,13) to the rails (#16,17) as shown in the picture, then secure by using bolts (#C) with washers (#E).

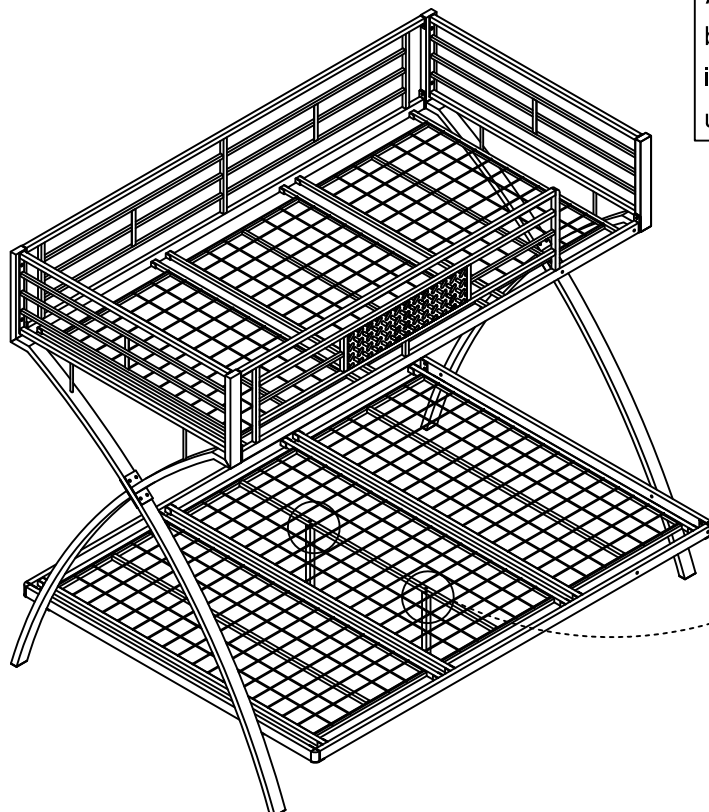
## 8

Part **#21** x2pcs

Hardware **#A** x2pcs

Hardware **#E** x2pcs

Hardware **#I** x1pc

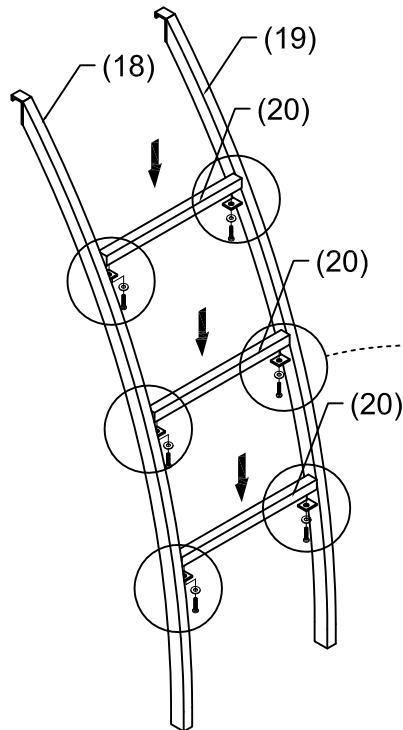


Attach the support legs (#21) to bed base frame C (#13) as shown in the picture, then secure by using bolts (#A) with washers (#E).

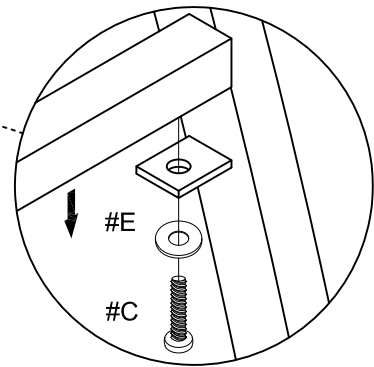
# ASSEMBLY INSTRUCTIONS

## 9

- Part #18 x1pc
- Part #19 x1pc
- Part #20 x3pcs
- Hardware #A x6pcs
- Hardware #E x6pcs
- Hardware #F x1pc

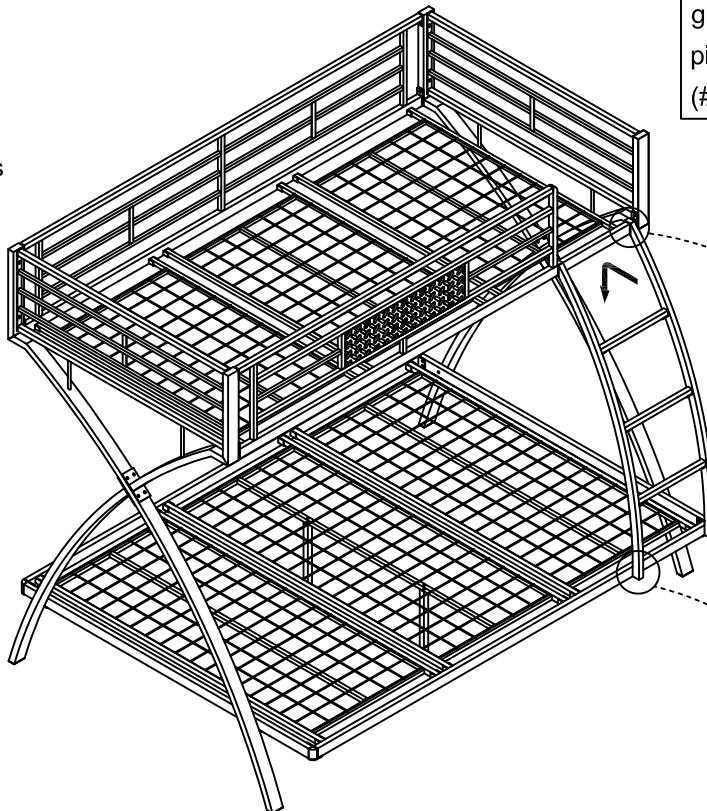


Attach the ladder pedals (#20) to ladder rails (#18,19) as shown in the picture, then secure by using bolts (#A) with washers (#E).

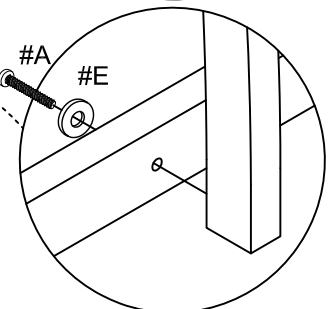
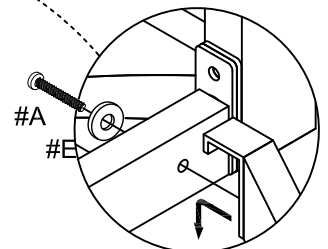


## 10

- Hardware #A x4pcs
- Hardware #E x4pcs
- Hardware #F x1pc



Place the ladder onto the front guardrail (#5) as shown in the picture, then secure by using bolts (#A) with washers (#E).

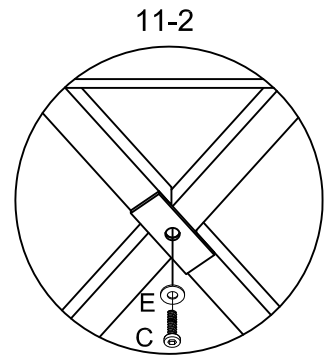
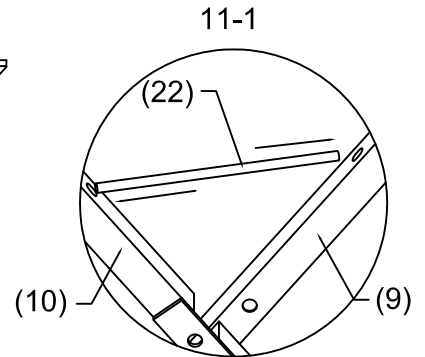
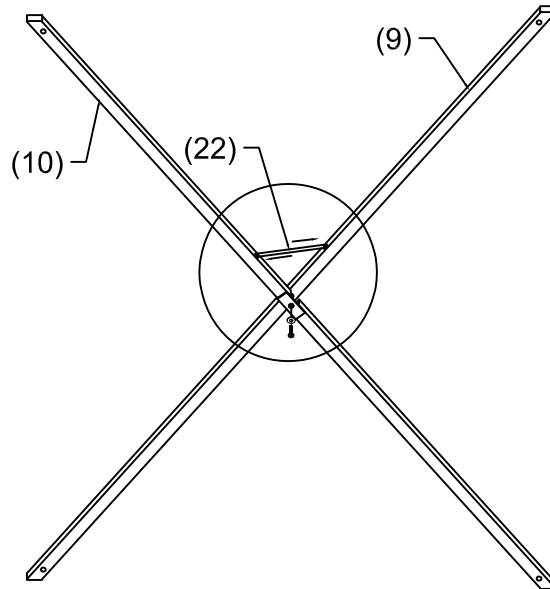


# ASSEMBLY INSTRUCTIONS

## 11

Attach the connected tube A (#22) to the middle holes of the back crossbars (#9,10) as shown in the picture, then secure by using bolts (#C) with washers (#E).

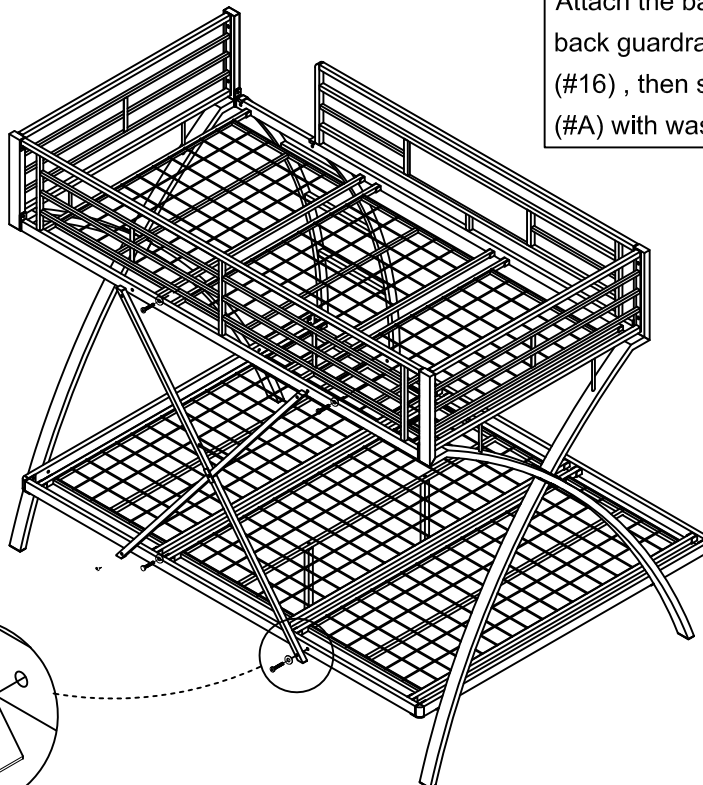
- Part #9 x1pc
- Part #10 x1pc
- Part #22 x1pc
- Hardware #C x1pc
- Hardware #E x1pc
- Hardware #F x1pc



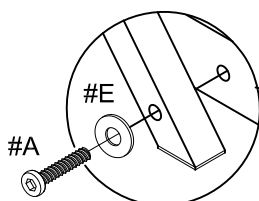
## 12

### #12

- Hardware #A x4pcs
- Hardware #E x4pcs
- Hardware #F x1pc



Attach the back cross bars to the back guardrail (#6) and back rail (#16), then secure by using bolts (#A) with washers (#E).



### ASSEMBLY COMPLETED



Please ensure the furniture rests on an even and flat surface. If the product wobbles or feels loose, double-check all bolts and/or screws are properly tightened and secured.



#### Keep this handy!

Please retain this instruction manual and any order-related information for future reference.



#### Lift, don't drag!

To avoid damage to product please always LIFT the product when transporting or adjusting the placement.

## Safety Warnings

1. Follow the information on the warnings appearing on the upper bunk end structure and on the carton. Do not remove warning label from bed.
2. Always use the recommended size mattresses or mattress supports, or both, to help prevent the likelihood of entrapment or falls.
3. Surface of mattress must be at least 5 in. (127mm) below the upper edge of guardrails .
4. Do not allow children under 6 years of age to use the upper bunk.
5. Periodically check and ensure that the guardrail, ladder, and other components are in their proper position, free from damage, and that all connectors are tight.
6. Do not allow horseplay on or under the bed and prohibit jumping on the bed.
7. Always use the ladder for entering and leaving the upper bunk.
8. Do not use substitute parts, Contact the manufacturer or dealer for replacement parts.
9. Use of a night light may provide added safety precaution for a child using the upper bunk.
10. Always use guardrails on both long sides of the upper bunk. If the bunk bed will be placed next to the wall, the guardrail that runs the full length of the bed should be placed against the wall to prevent entrapment between the bed and wall.
11. The use of water or sleep flotation mattress is prohibited .
12. Keep these instructions for future reference.
13. Use only mattress which is (74"-75")X(37 $\frac{1}{2}$ "-38 $\frac{1}{2}$ ")X6" on upper bunk and for bottom bunk required (74"-75")X(53 $\frac{1}{2}$ "- 54 $\frac{1}{2}$ ")X8" mattress.
14. Prohibit more than one person on upper bunk.
15. Maximum total weight is not to exceed 400 lbs. on the upper bunk.

### STRANGULATION HAZARD:

Never attach or hang items to any part of the bunk bed that are not designed for use with the bed, for example, but not limited to, hooks, belts, and jumpropes.