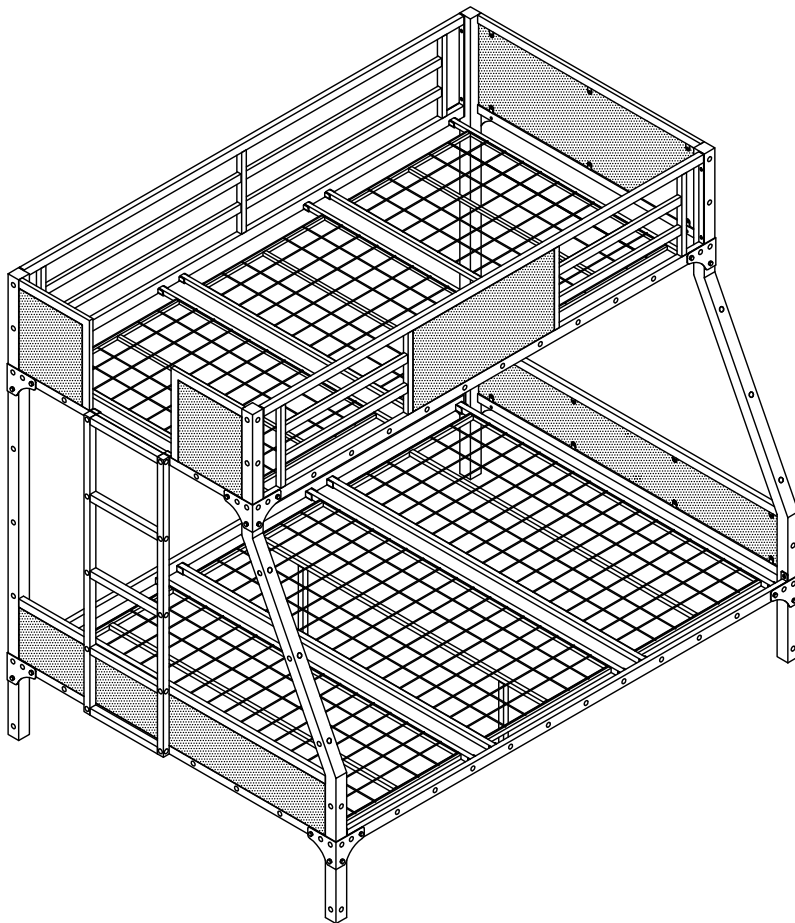


ASSEMBLY INSTRUCTIONS

Questions?

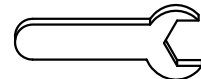
GIVE US A CALL: 1-888-980-5122
MON – FRI 8:30AM – 5:30PM (PT)



TOOLS REQUIRED



Allen Wrench
(Included)



Wrench
(Included)



3 - People
Recommended

ASSEMBLY RATING



EASY —————> DIFFICULT

The Assembly Rating is a 5-point system showing the level of effort needed to assemble a specific product.



FOA Intro

Thank you for your purchase!

We hope you enjoy this new addition to your home for many years to come.

Our commitment to providing quality products does not simply end when you purchase our product. We fully stand behind our products from start to finish. Our customer service department is available Monday - Friday 8:30 AM- 5:30 PM Pacific Time and can help with assembly questions as well as, if necessary, replacing damaged or missing parts. To help expedite our service, please have these assembly instruction readily available, along with your order receipt.



CHECK BEFORE STARTING

Are you missing anything?

Double-check all parts, hardware and accessories listed on Page 5 are accounted for.

Should we send any replacements?

Are there any irregularities or flaws in the parts? We can send replacements!

Check out our Quick Tips!

We recommend reviewing the pre-assembly handouts. Even experts need a refresher now and then!

Prep Time!

Please review the assembly instructions and all diagrams prior to assembling.

PRE ASSEMBLY INTRODUCTION

We understand building ready-to-assemble furniture can be a challenging experience for some. To help avoid confusion, we have provided some helpful tips that may speed up the process.



Teamwork

ALWAYS have at least two people to help with transporting and assembling the product to avoid potential injury and/or damage.



Suitable Location

Assembling near the area of the intended location is highly recommended.



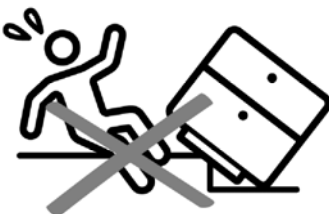
Sufficient Space

Make sure you have enough space to move around during the assembly.



Avoid Scratches

Use cardboard, blankets or a carpeted area while assembling furniture to prevent scratches.



Flat Surface

Make sure the furniture rests on a flat and level surface with each leg evenly touching the floor.

ASSEMBLY AND CARE ADVICE



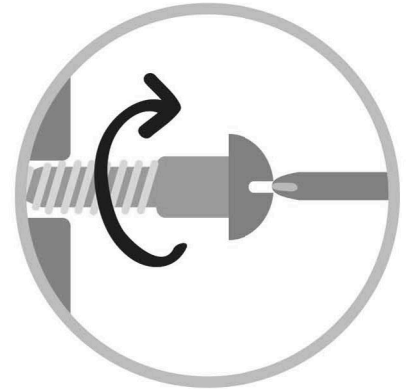
FAILURE TO FOLLOW THE GUIDELINES BELOW MAY RESULT IN INJURY AND/OR PROPERTY DAMAGE.



Position each part correctly and insert screws or bolts into their respective holes.



Use the appropriate hand tools or power tools for assembly. Select steps, such as tightening screws and/or bolts, may require hand tools to avoid causing damage during assembly.



Turn clockwise to tighten and only tighten when step is completed or when instructed to do so.



Save the instructions and store any supplied tools for later maintenance.



After two weeks, check and tighten any loose hardware and repeat again every six months thereafter.

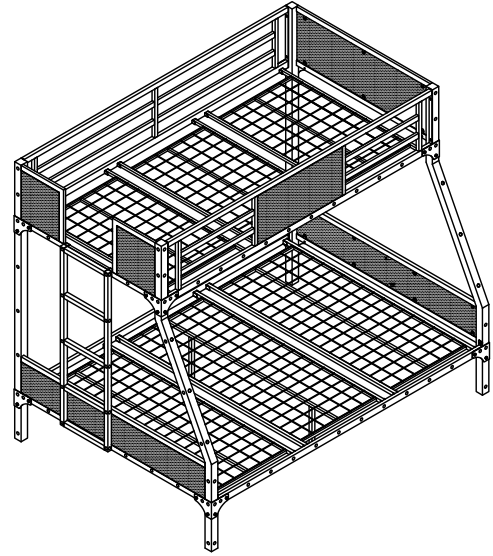
IT IS THE USER'S RESPONSIBILITY TO MAINTAIN THE FURNITURE. THE HARDWARE MAY LOOSEN OVER TIME AND MAY CAUSE THE FURNITURE TO BE WOBBLY AND UNABLE TO SUPPORT ITS INTENDED WEIGHT CAPACITY. THIS MAY LEAD TO COLLAPSE AND MAY CAUSE SERIOUS INJURY.

BUNKBED

CM-BK029TF

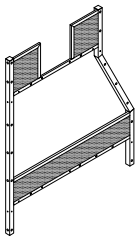


- Please keep instructions for future reference.
- Check the quantity and irregularity of parts and hardware before you start.



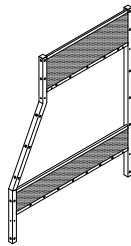
PARTS

#1 1pc



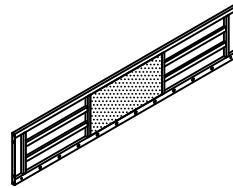
Left Panel

#2 1pc



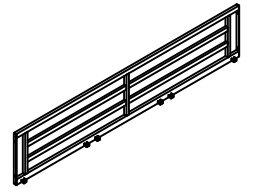
Right Panel

#3 1pc



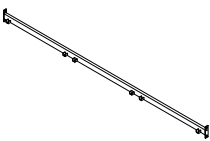
Front Guardrail

#4 1pc



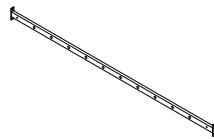
Back Guardrail

#5 1pc



Back Side Rail

#6 1pc



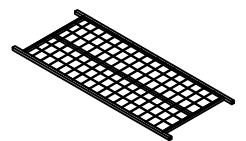
Front Side Rail

#7 1pc



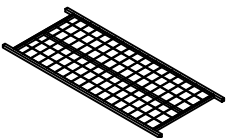
Ladder

#8 3pcs



Base Frame 1

#9 1pc



Base Frame 2

#10 2pcs



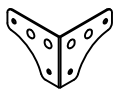
Base Frame 3

#11 2pcs



Support Leg

#12 8pcs



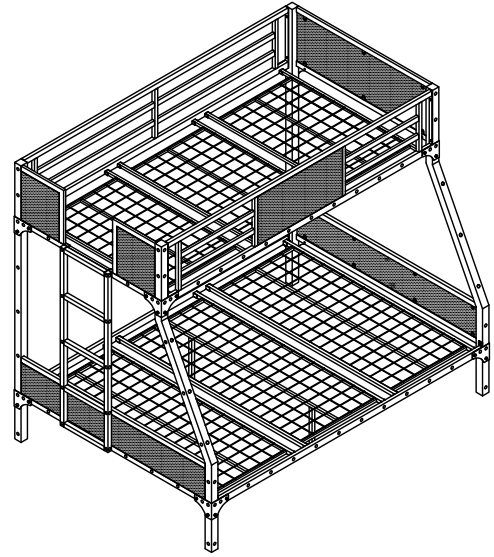
Garnish

BUNKBED

CM-BK029TF



- Please keep instructions for future reference.
- Check the quantity and irregularity of parts and hardware before you start.



HARDWARE

#A 24pcs



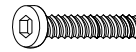
Bolt 1/4" x 5/8"
(Black)

#B 16pcs



Bolt 1/4" x 3/4"
(Black)

#C 4pcs



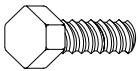
Bolt 1/4" x 1-1/4"
(Black)

#D 2pcs



Bolt 1/4" x 1-3/4"
(Black)

#E 32pcs



Hex Bolt 5/16" x 1/2"
(Black)

#F 46pcs



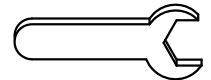
Flat Washer
Ø16mm (Black)

#G 1pc



Allen Wrench
4 x 4 mm (Black)

#H 1pc

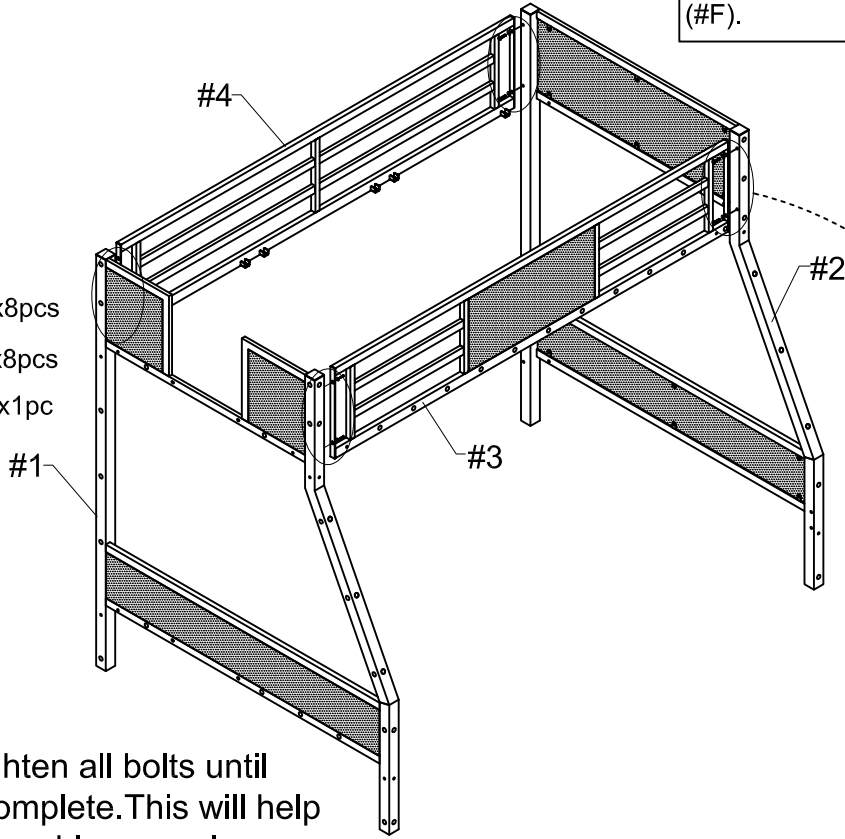


Wrench 14mm
(White)

ASSEMBLY INSTRUCTIONS

1

- Part #1 x1pc
- Part #2 x1pc
- Part #3 x1pc
- Part #4 x1pc
- Hardware #B x8pcs
- Hardware #F x8pcs
- Hardware #G x1pc



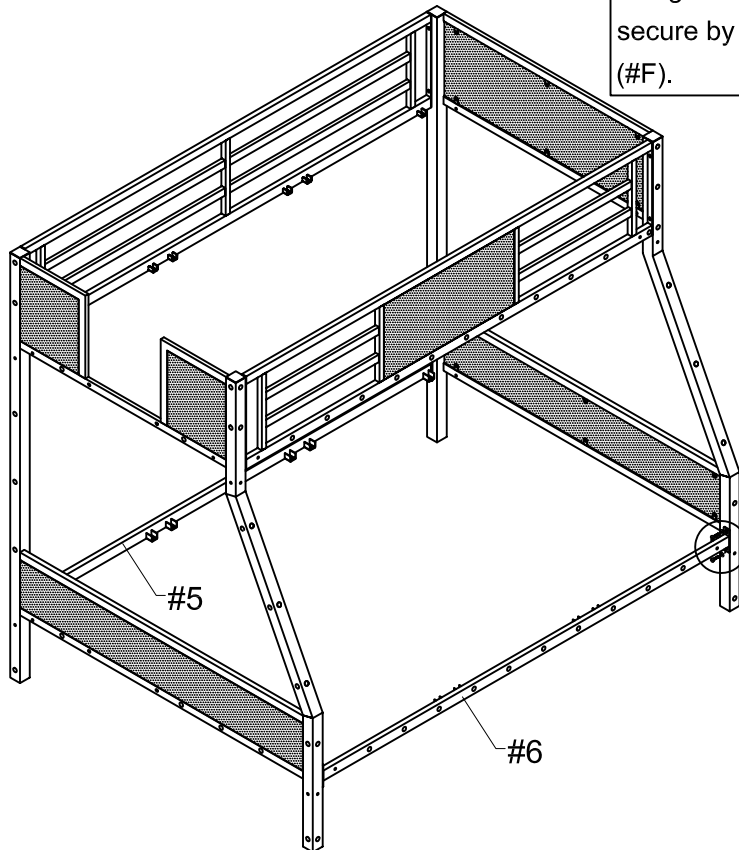
Align the guardrails (#3, #4) to the holes along the top of the panels (#1, #2), then secure by using bolts (#B) with washers (#F).

ASSEMBLY

Do not fully tighten all bolts until assembly is complete. This will help all parts to assemble properly.

2

- Part #5 x1pc
- Part #6 x1pc
- Hardware #B x8pcs
- Hardware #F x8pcs
- Hardware #G x1pc

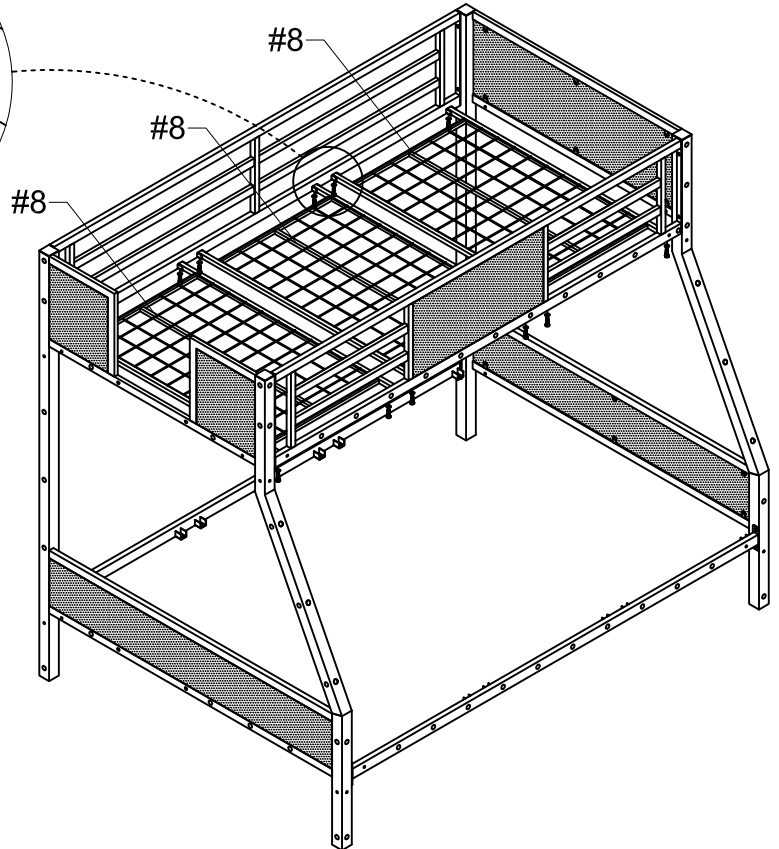
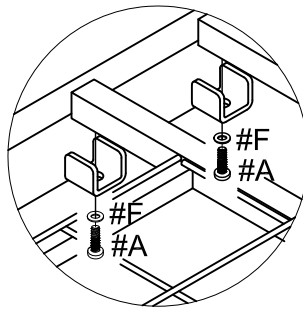


Align the side rails (#5, #6) to the holes along the bottom of panels (#1, #2), then secure by using bolts (#B) with washers (#F).

ASSEMBLY INSTRUCTIONS

3

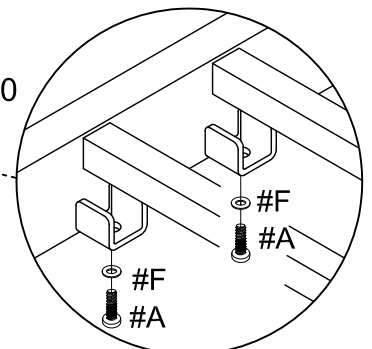
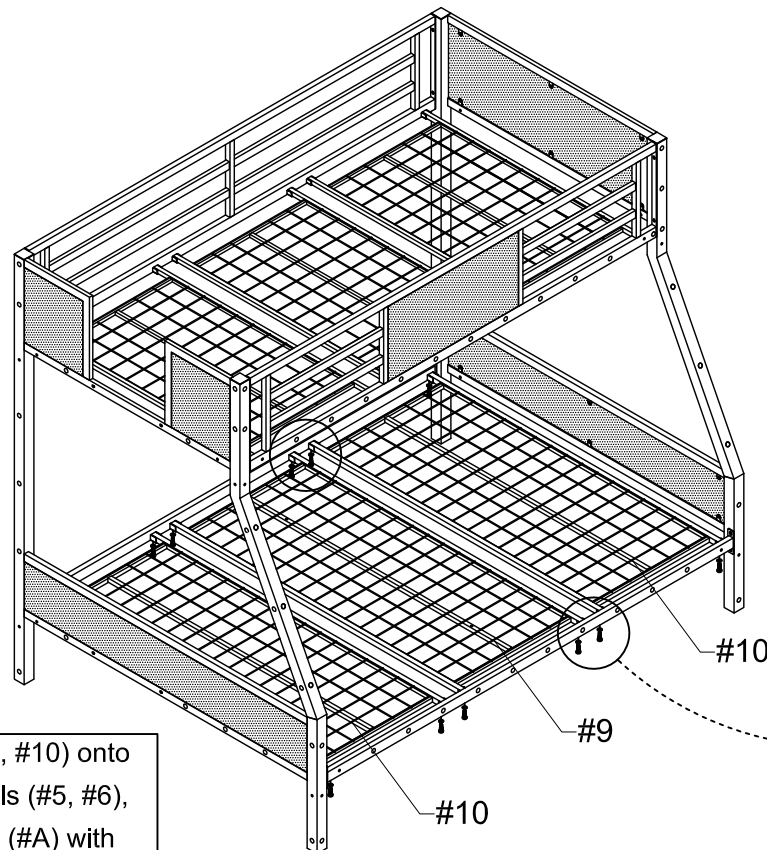
- Part #8 x3pc
- Hardware #A x12pcs
- Hardware #F x12pcs
- Hardware #G x1pc



Place the base frame 1 (#8) onto the top bed, then secure by using bolts (#A) with washers (#F).

4

- Part #9 x1pc
- Part #10 x2pcs
- Hardware #A x12pcs
- Hardware #F x12pcs
- Hardware #G x1pc

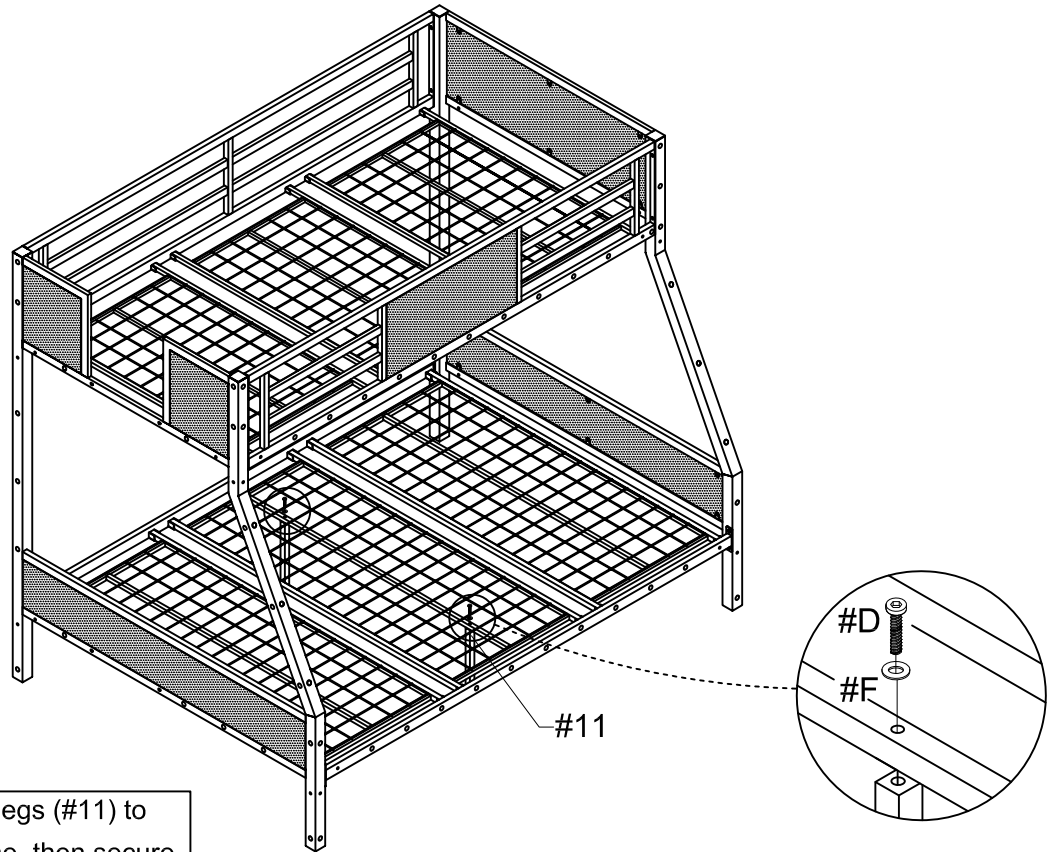


Place the base frames (#9, #10) onto the slots along the side rails (#5, #6), then secure by using bolts (#A) with washers (#F).

ASSEMBLY INSTRUCTIONS

5

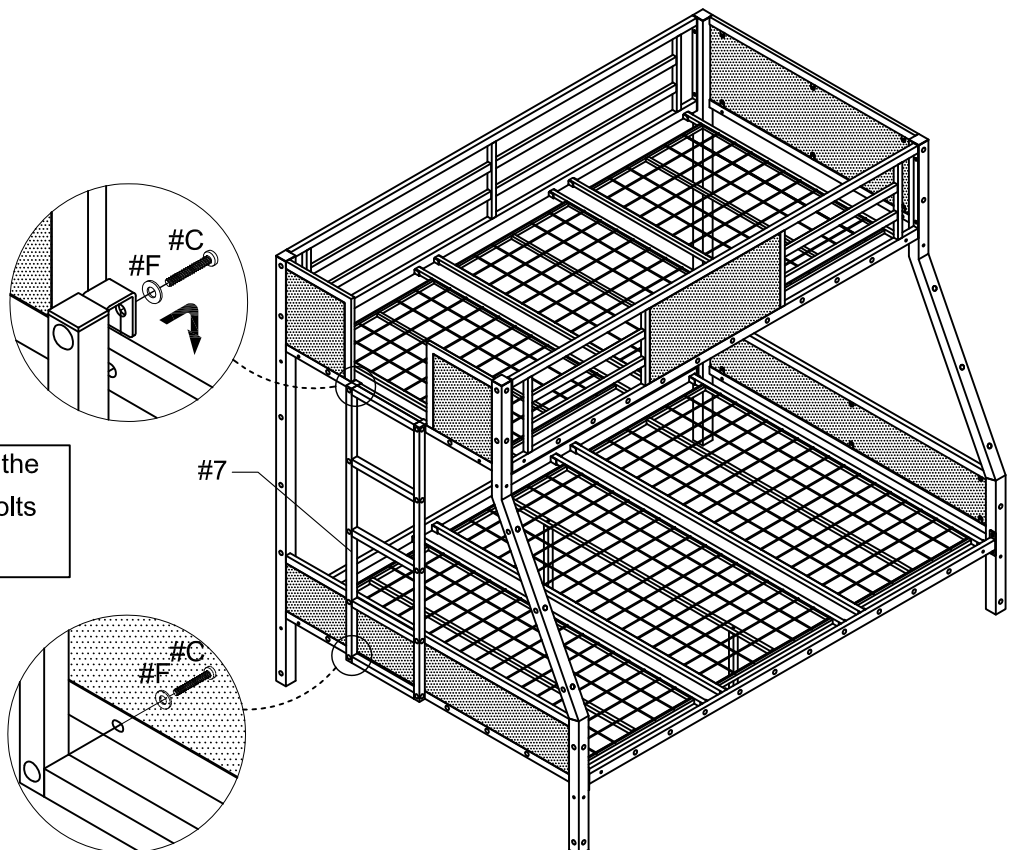
- Part #11 x2pcs
- Hardware #D x2pcs
- Hardware #F x2pcs
- Hardware #G x1pc



Align the top of the support legs (#11) to the bottom center base frame, then secure by using bolts (#D) with washers (#F).

6

- Part #7 x1pc
- Hardware #C x4pcs
- Hardware #F x4pcs
- Hardware #G x1pc

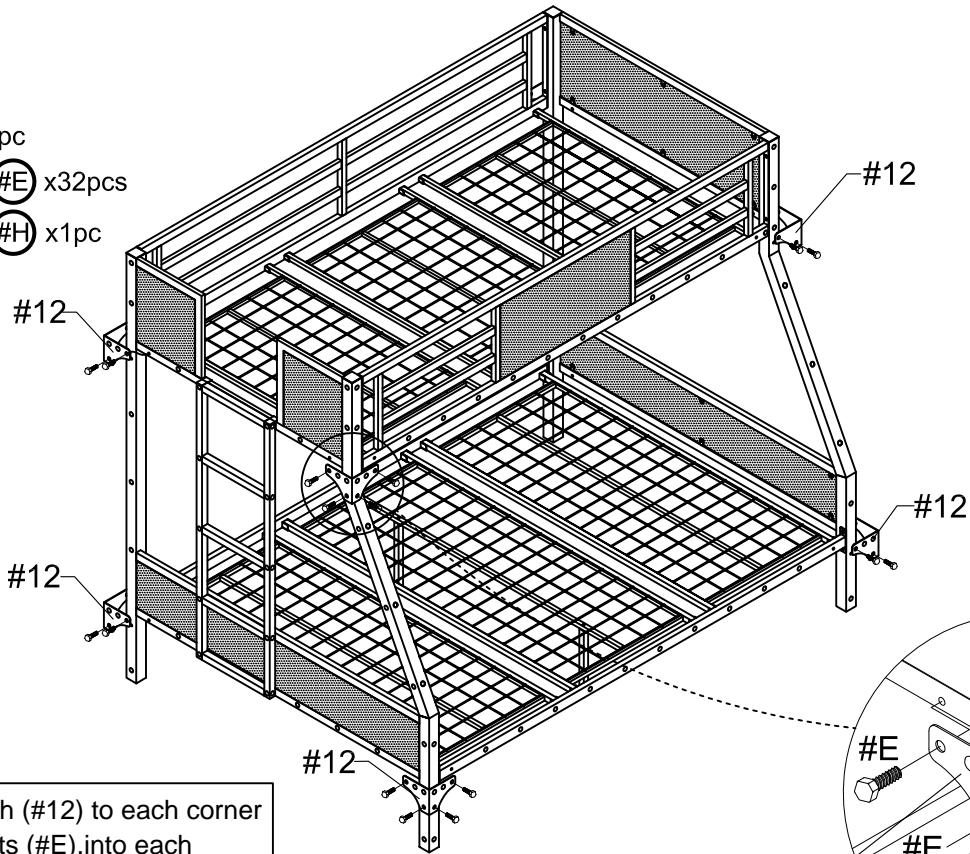


Hook the top of the ladder (#7) to the left panel, then secure by using bolts (#C) with washers (#F).

ASSEMBLY INSTRUCTIONS

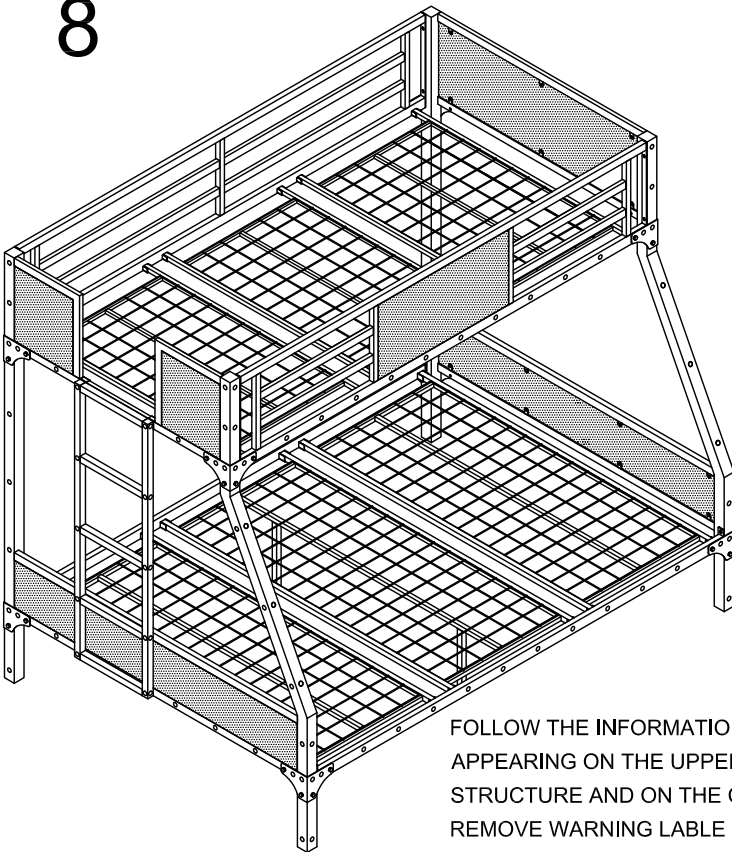
7

Part **#12** x8pc
Hardware **#E** x32pcs
Hardware **#H** x1pc



Align the garnish (#12) to each corner and insert 4 bolts (#E) into each garnish, then secure using wrench (#H).

8



FOLLOW THE INFORMATION ON THE WARNING APPEARING ON THE UPPER BUNK BED STRUCTURE AND ON THE CARTON. DO NOT REMOVE WARNING LABEL FROM BED. KEEP THESE INSTRUCTIONS FOR FUTURE REFERENCE.

ASSEMBLY COMPLETED



Please ensure the furniture rests on an even and flat surface. If the product wobbles or feels loose, double-check all bolts and/or screws are properly tightened and secured.



Keep this handy!

Please retain this instruction manual and any order-related information for future reference.



Lift, don't drag!

To avoid damage to product please always LIFT the product when transporting or adjusting the placement.

Safety Warnings

1. Follow the information on the warnings appearing on the upper bunk end structure and on the carton. Do not remove warning label from bed.
2. Always use the recommended size mattresses or mattress supports, or both, to help prevent the likelihood of entrapment or falls.
3. Surface of mattress must be at least 5 in. (127mm) below the upper edge of guardrails.
4. Do not allow children under 6 years of age to use the upper bunk.
5. Periodically check and ensure that the guardrail, ladder, and other components are in their proper position, free from damage, and that all connectors are tight.
6. Do not allow horseplay on or under the bed and prohibit jumping on the bed.
7. Always use the ladder for entering and leaving the upper bunk.
8. Do not use substitute parts. Contact the manufacturer or dealer for replacement parts.
9. Use of a night light may provide added safety precaution for a child using the upper bunk.
10. Always use guardrails on both long sides of the upper bunk. If the bunk bed will be placed next to the wall, the guardrail that runs the full length of the bed should be placed against the wall to prevent entrapment between the bed and wall.
11. The use of water or sleep flotation mattresses is prohibited.
12. Keep these instructions for future reference.
13. Use only mattress which is (74"-75")X(37 $\frac{1}{2}$ "-38 $\frac{1}{2}$ ")X6" on upper bunk and for bottom bunk required (74"-75")X(53 $\frac{1}{2}$ "-54 $\frac{1}{2}$ ")X8" mattress.
14. Prohibit more than one person on upper bunk.
15. Maximum total weight is not to exceed 400 lbs. on the upper bunk.

STRANGULATION HAZARD:

Never attach or hang items to any part of the bunk bed that are not designed for use with the bed; for example, but not limited to, hooks, belts and jump ropes.