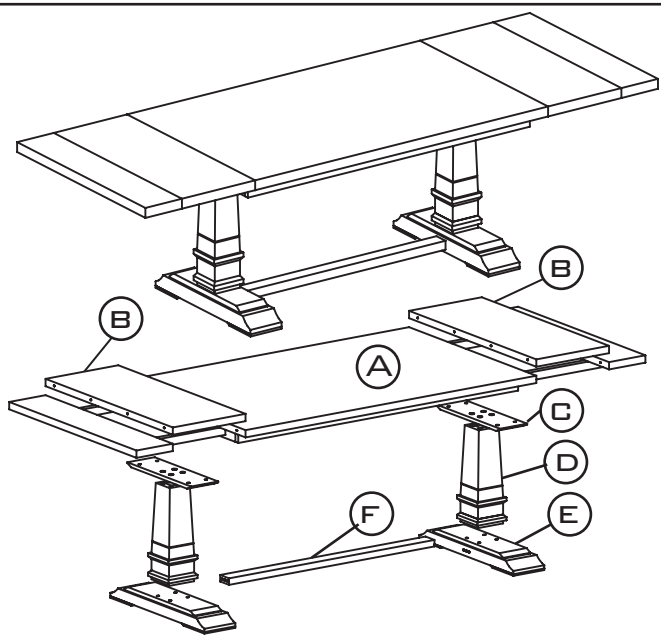


ASSEMBLY INSTRUCTIONS


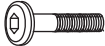



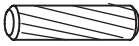


HUDSON DINING TABLE



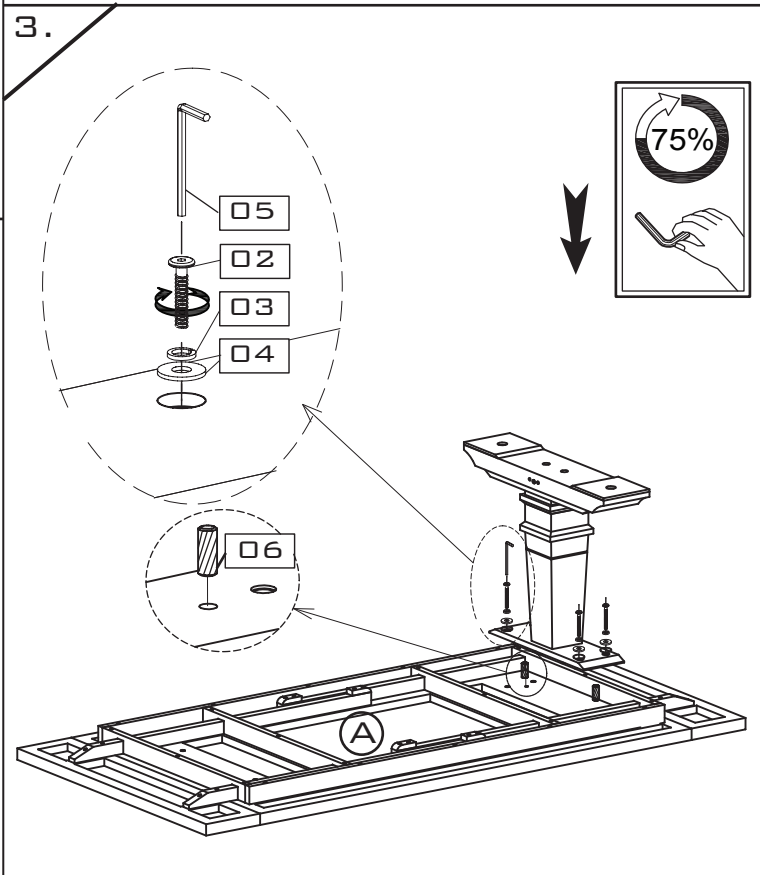
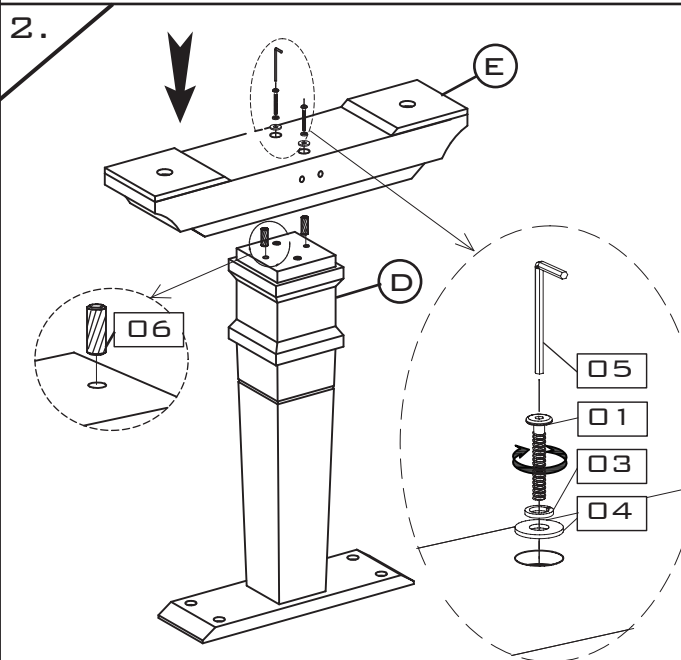
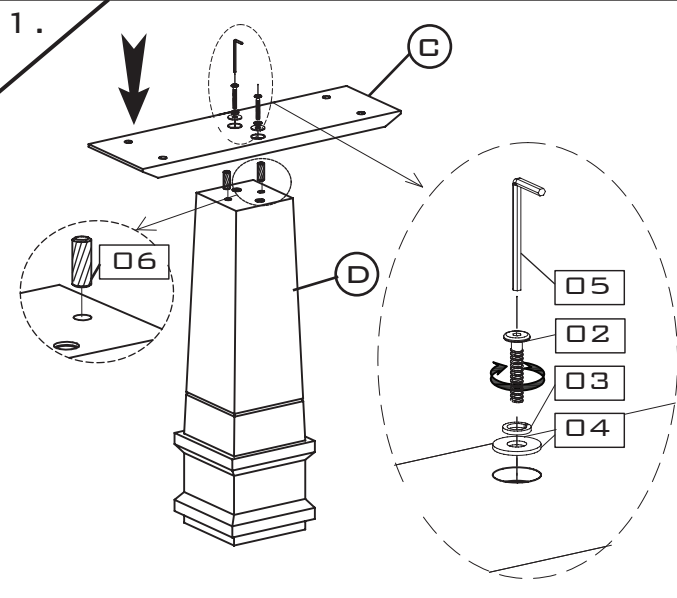
PARTS CHECK LIST

CODE	COMPONENTS	QTY
(A)	TABLE TOP	X1
(B)	LEAF	X2
(C)	TOP LEG	X2
(D)	CENTER LEG	X2
(E)	BASE	X2
(F)	STRETCHER	X1

FITTINGS CHECK LIST

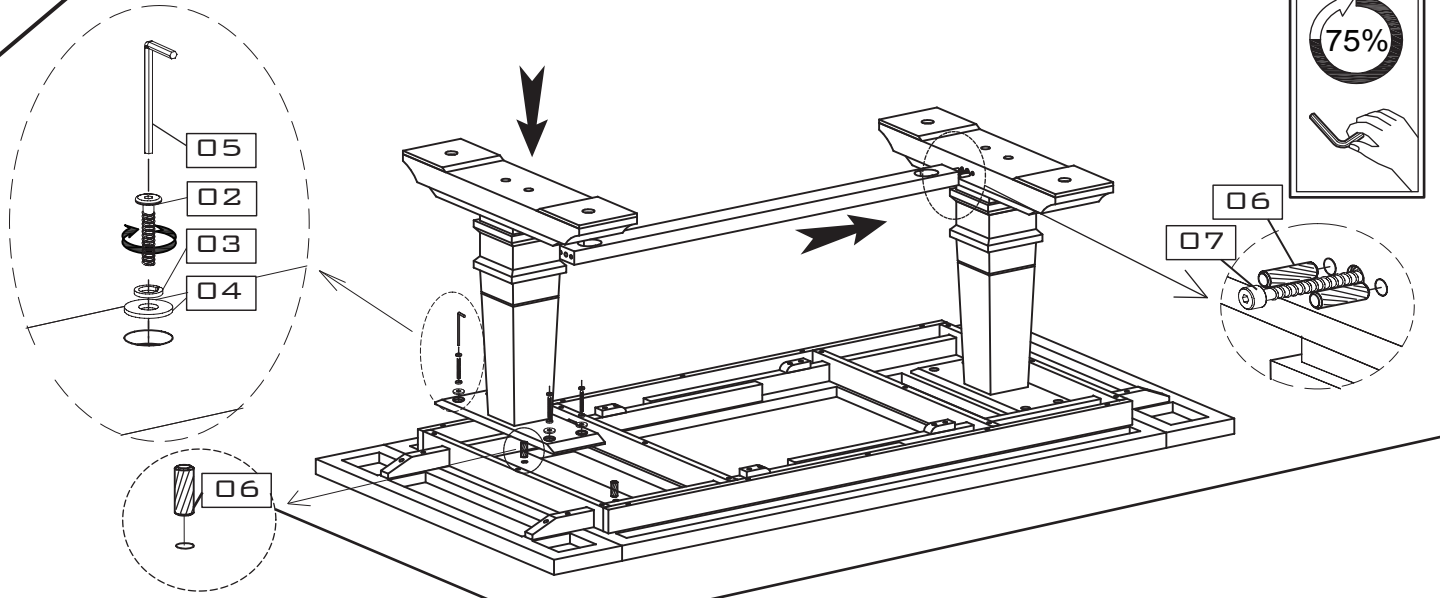
CODE	COMPONENTS	QTY
01	LONG ALLEN BOLT 	X4
02	SHORT ALLEN BOLT 	X12
03	SPRING WASHER 	X16
04	FLAT WASHER 	X16
05	ALLEN KEY 	X1
06	DOWEL 	X16
07	CAP BOLT 	X2
08	U-WASHER 	X2

PLEASE DO NOT DISCARD ANY OF THE PACKAGING UNTIL YOU HAVE CHECKED ALL THE PARTS AND THE PACKS OF FITTINGS.

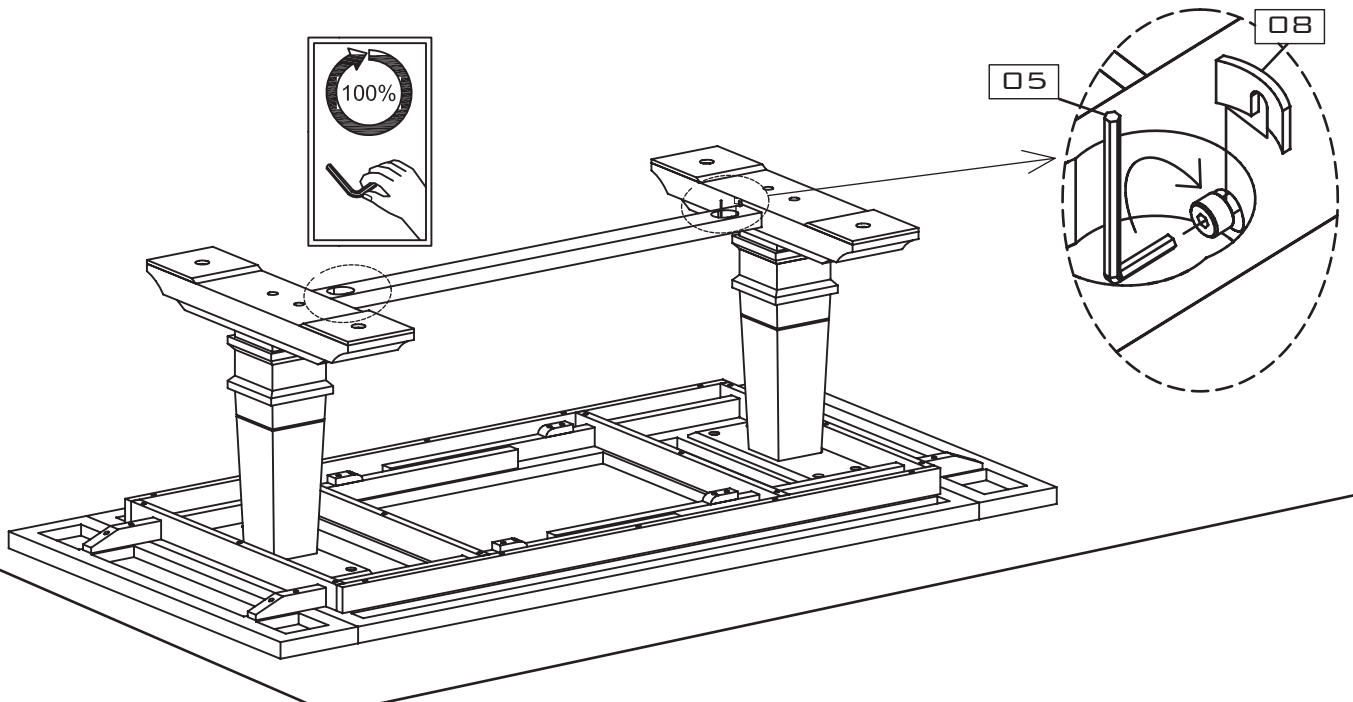


ASSEMBLY INSTRUCTIONS HUDSON DINING TABLE

4.



5.



6.

CLOSE

OPEN

