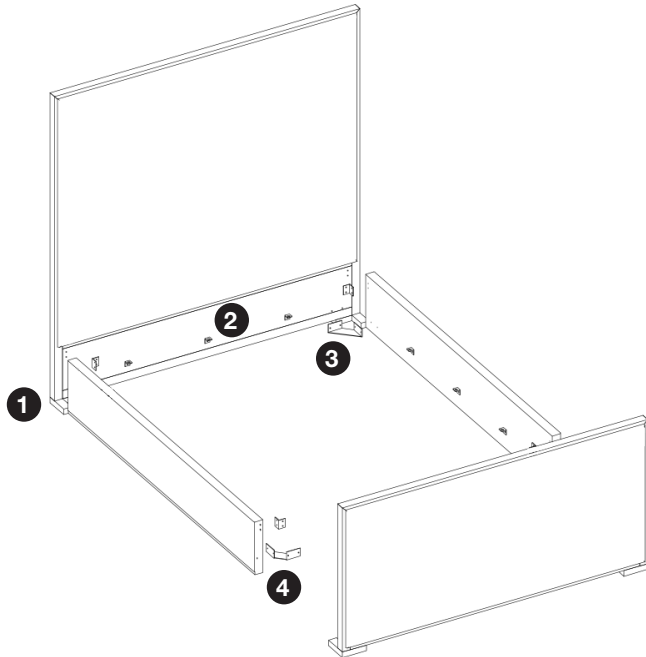


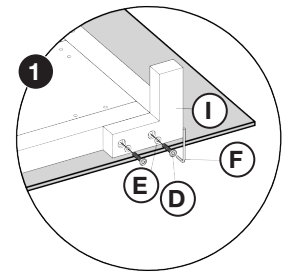
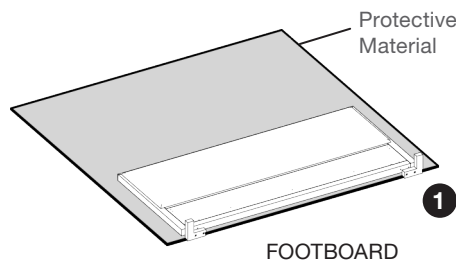
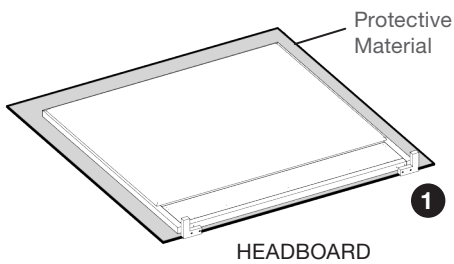
ASSEMBLY INSTRUCTIONS | TAILOR UPHOLSTERED BED



HARDWARE CHECKLIST		
A		Corner Braces (4pcs)
A1		Corner C Braces (4pcs)
B		Angle Irons (12pcs)
C		Bolts 30*8mm (44pcs)
D		Bolts 50*8mm (8pcs)
E		Flat Washer (8pcs)
F		Allen Key (1pc)
G		Black Cotton Pad (12pcs)
H		Stand - 22cm (2 or 3pcs)
I		Base Legs (4pcs)

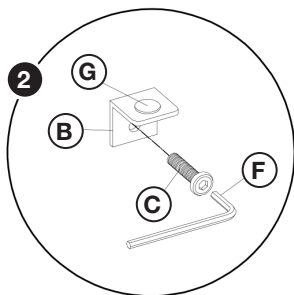
Step 1

Place headboard and footboard face up on a soft surface, like a rug or carpet. Install type I base onto the headboard and the footboard.



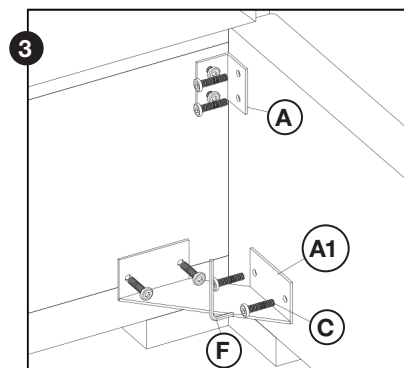
Step 2

Install type B angle irons on the headboard, along the inside of the headboard, side rails and footboard. Then, place type G cotton pads on top of type B angle irons



Step 3

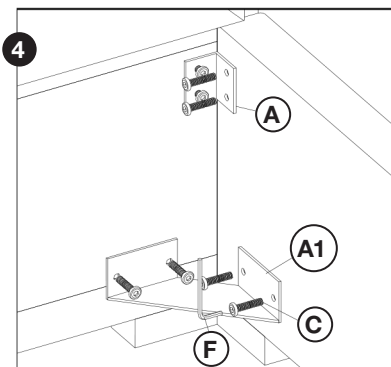
Use type A & A1 corner braces to connect the headboard and side rails



ASSEMBLY INSTRUCTIONS | TAILOR UPHOLSTERED BED

Step 4

Use type A & A1 corner braces to connect the side rails and footboard.



Step 5

For Queen Bed: Place slats on top of angle irons. Install the 2pcs type H stands to the middle of the slat. Type H stand height can be adjusted further as needed.

For Cal King & Std King Bed: Place slats on top of angle irons. Install the 3pcs type H stands to the middle of the slat. Type H stand height can be adjusted further as needed.

