

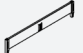











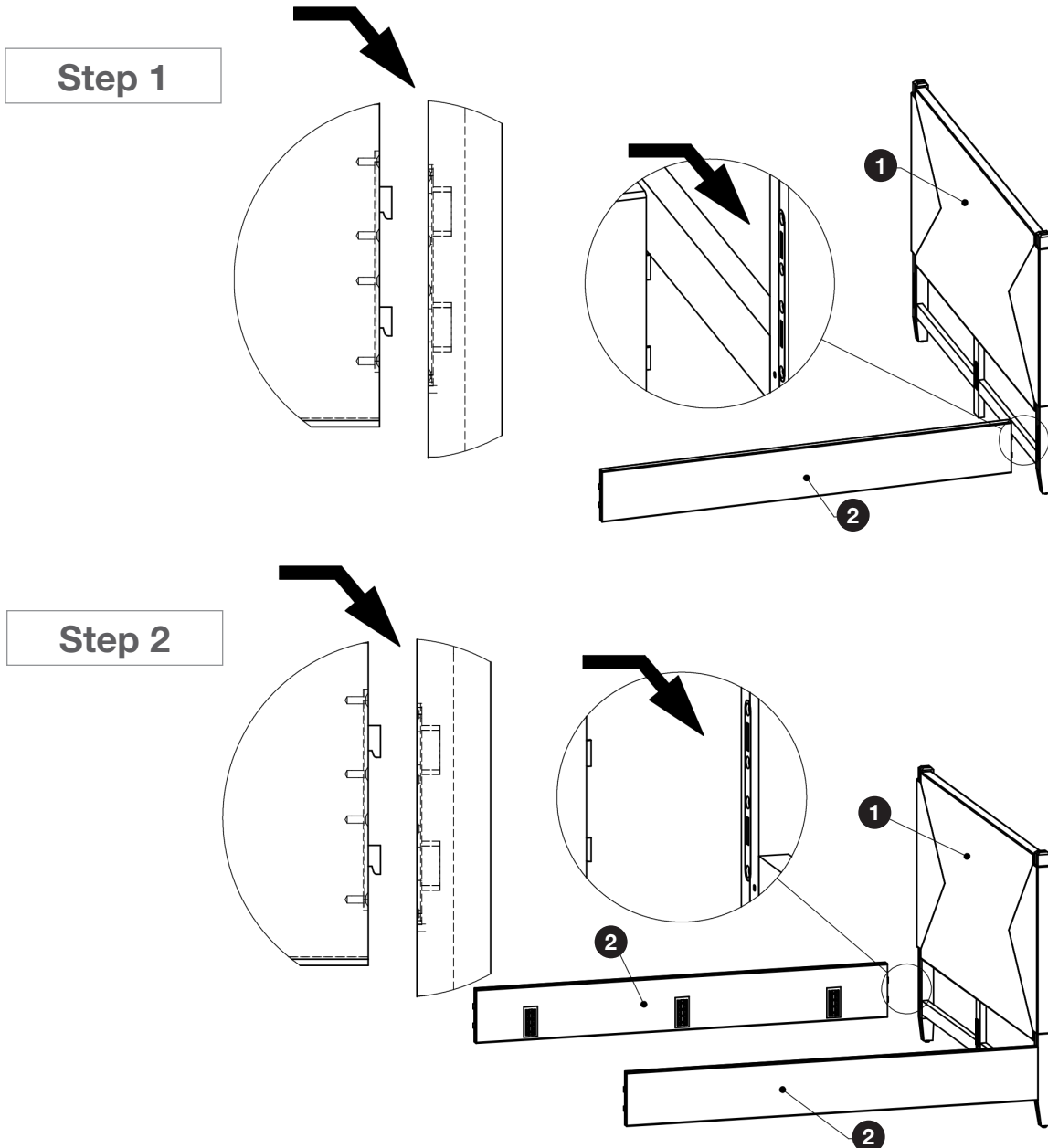


ASSEMBLY INSTRUCTIONS | MALAY BED

PARTS CHECKLIST		
1		Headboard (1pc)
2		Side Rail (2pcs)
3		Footboard (1pc)
4		Middle Support (1pc)
5		Cross Bar (8pcs)
6		Side Bar (2pcs)

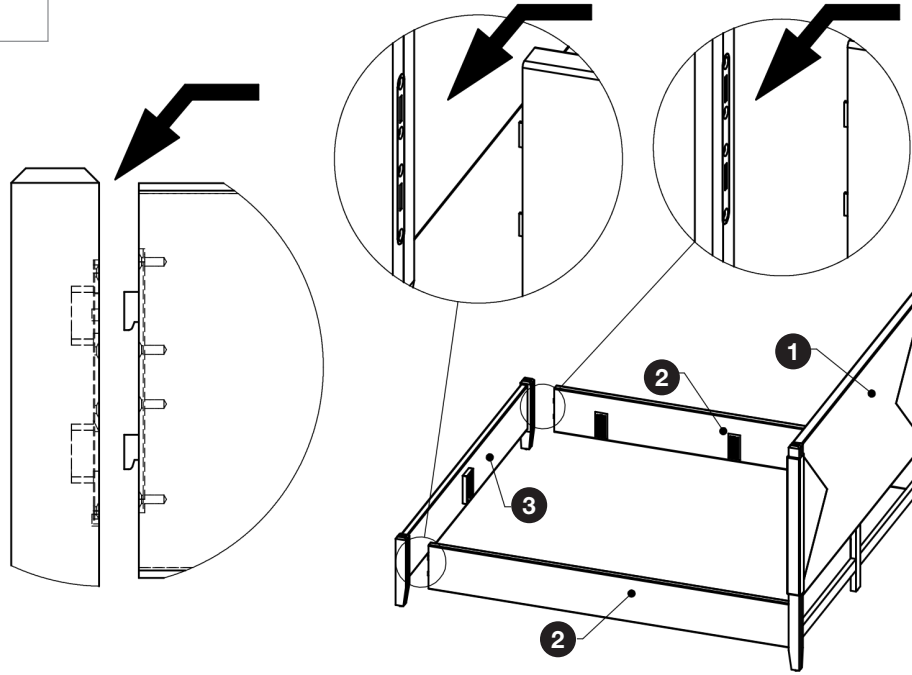
HARDWARE CHECKLIST					
A		Brackets (8pcs)	E		Nut M6 (8pcs)
B		JCBC Bolt M6x60mm (8pcs)	F		Allen Key L4 (1pc)
C		Flat Washer M6xø18mm (16pcs)	G		Wrench 10 (1pc)
D		Spring Washer M6xø11mm (8pcs)	H		Fab Screw ø8x1.5" (16pcs)

Please do not discard any of the packaging until you have checked all the parts and hardware have been supplied. Before you begin assembly, decide on the height you would like to set the cross bars as they can be adjusted to desired distance from the floor (10"-13"). Follow instructions closely as deviation from them may void your warranty and present a possible safety risk. It is recommended that assembly is done on a soft surface like carpet to avoid any damage. Though not necessary, it is advised that assembly be completed by a team of at least two people.

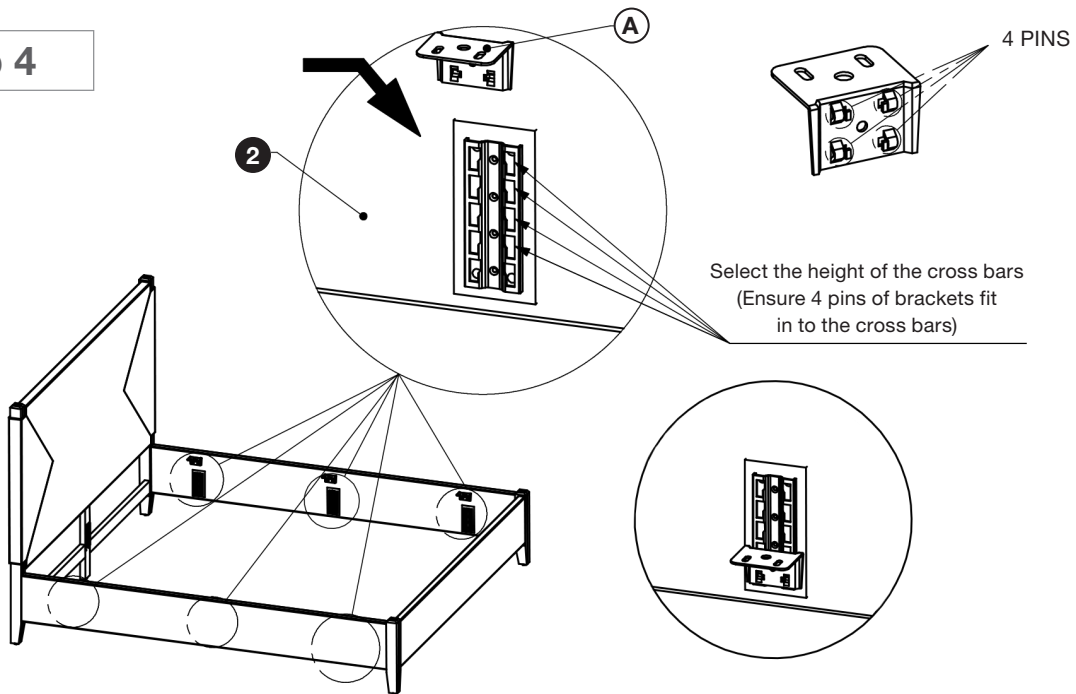


ASSEMBLY INSTRUCTIONS | MALAY BED

Step 3



Step 4

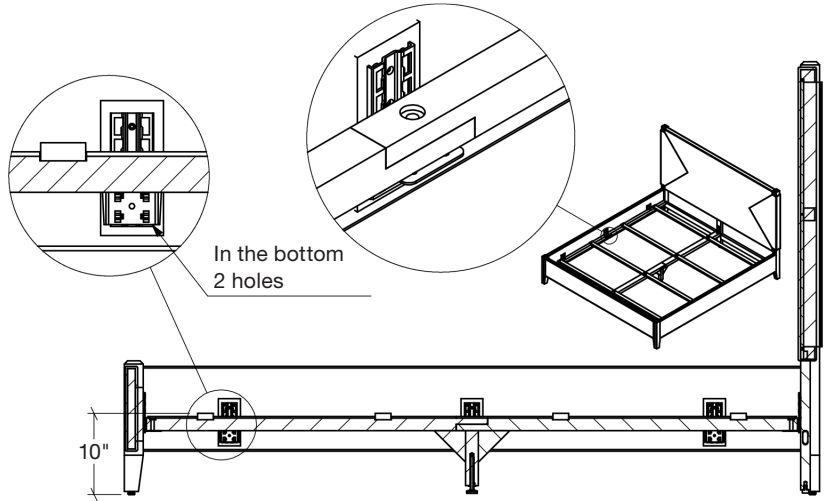


Ensure all brackets are installed at the same height position before continuing

ASSEMBLY INSTRUCTIONS | MALAY BED

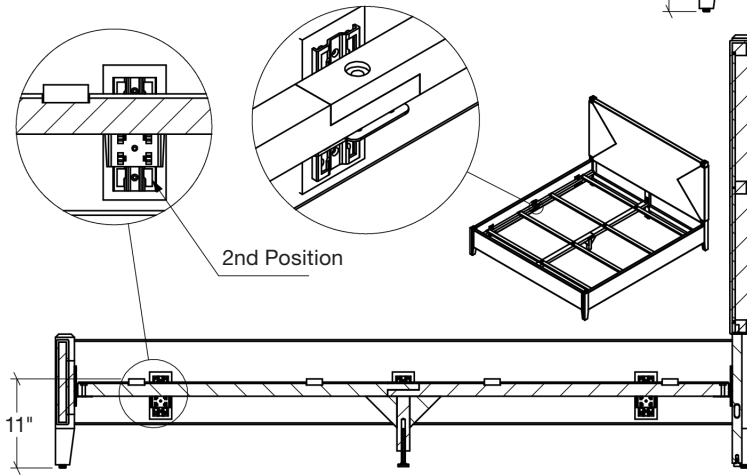
AVAILABLE HEIGHT OPTIONS (4 POSITIONS)

Lowest Position



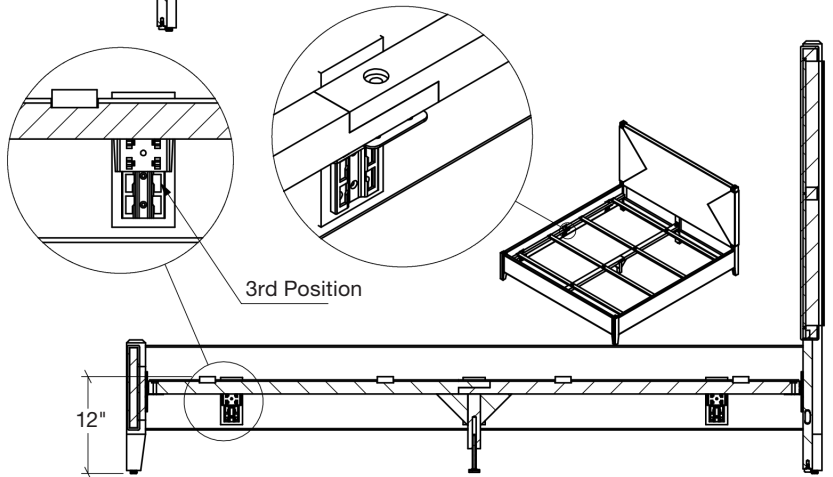
2nd Position

2nd Position



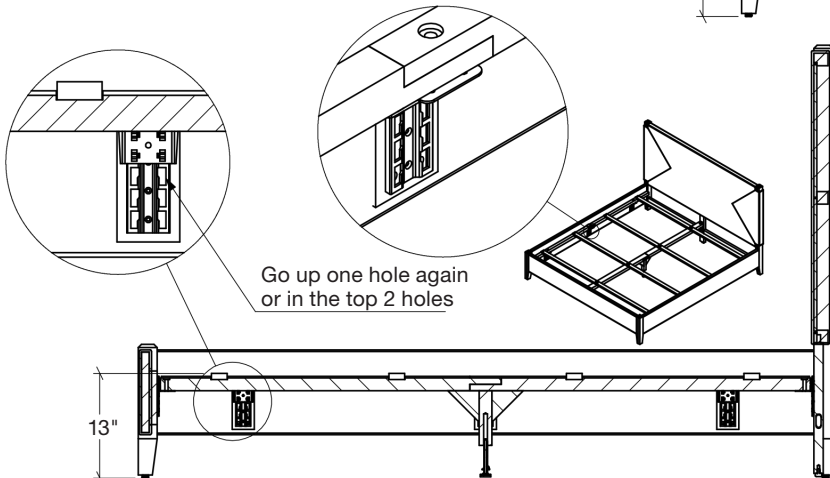
3rd Position

3rd Position



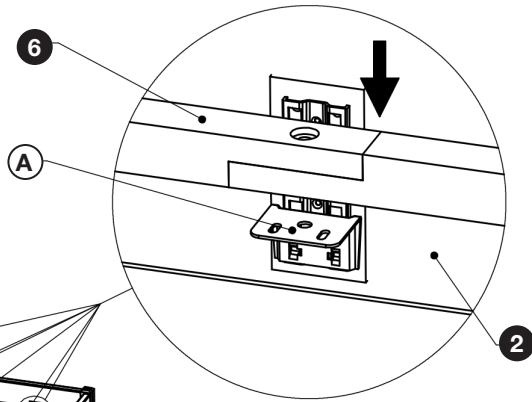
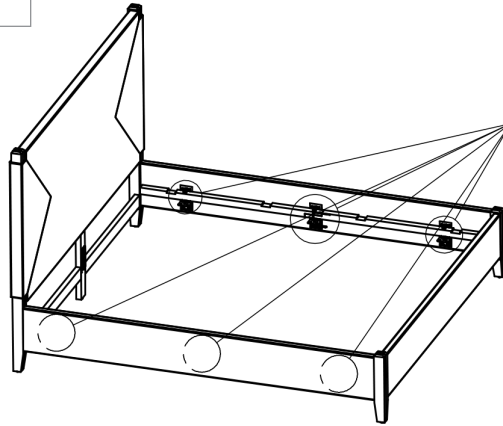
Go up one hole again
or in the top 2 holes

Highest Position

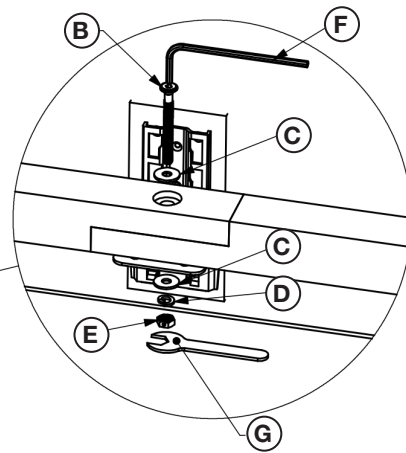
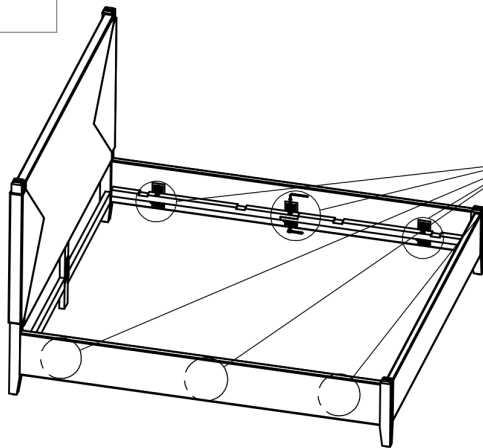


ASSEMBLY INSTRUCTIONS | MALAY BED

Step 5

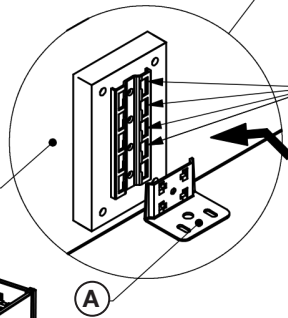
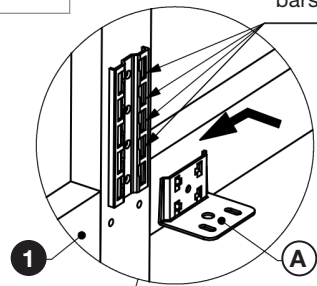
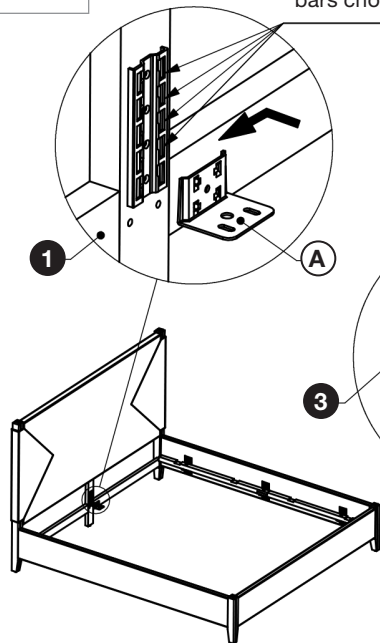


Step 6

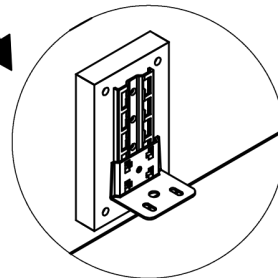
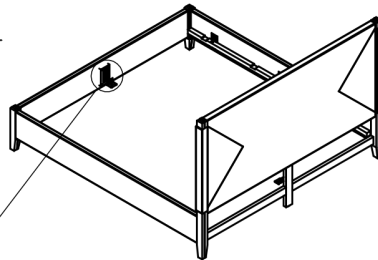


Step 7

Match position of cross bars chosen in step 4

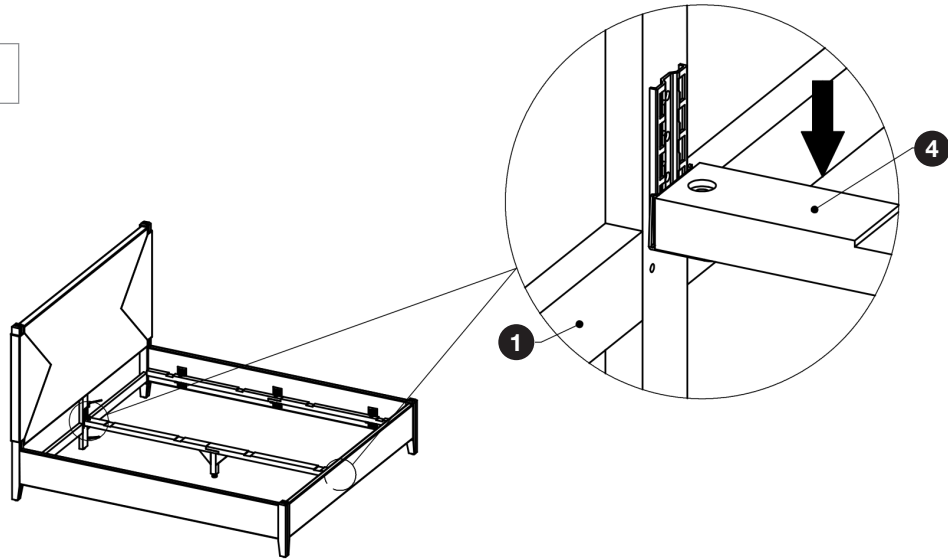


Match position of cross bars chosen in step 4

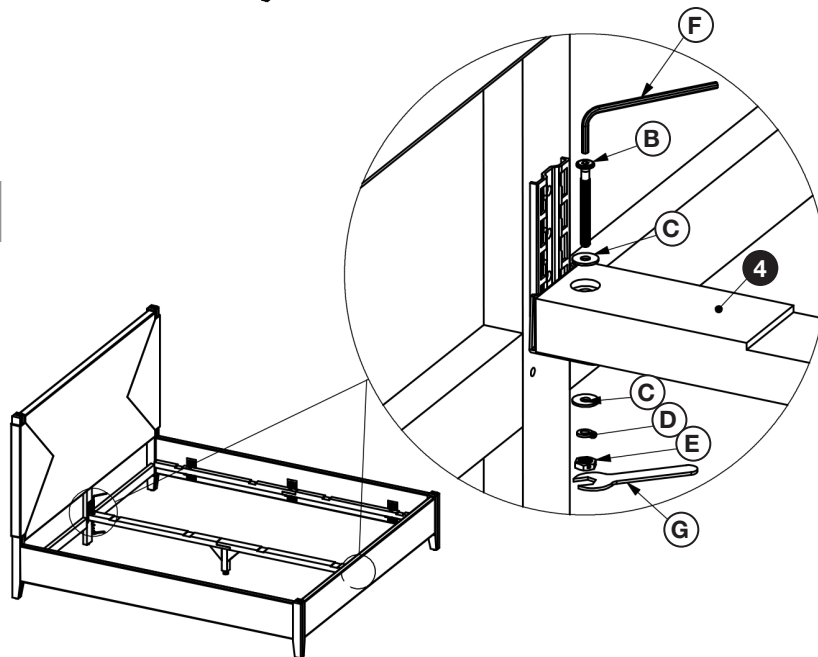


ASSEMBLY INSTRUCTIONS | MALAY BED

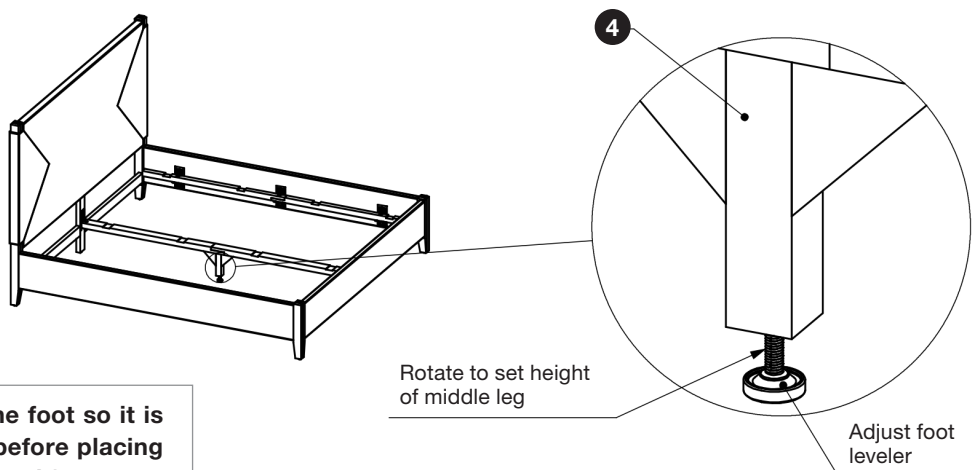
Step 8



Step 9

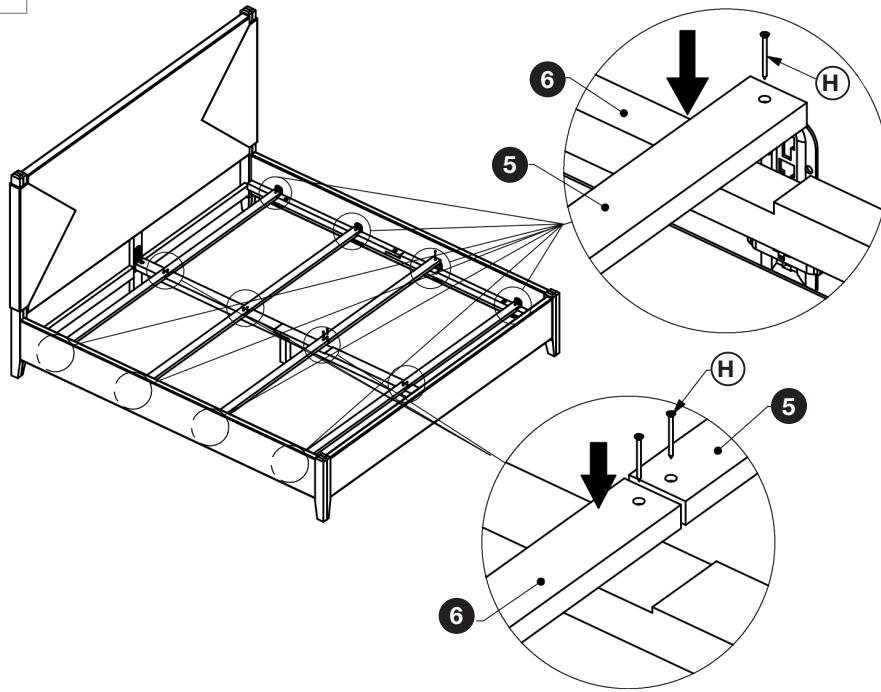


Step 10

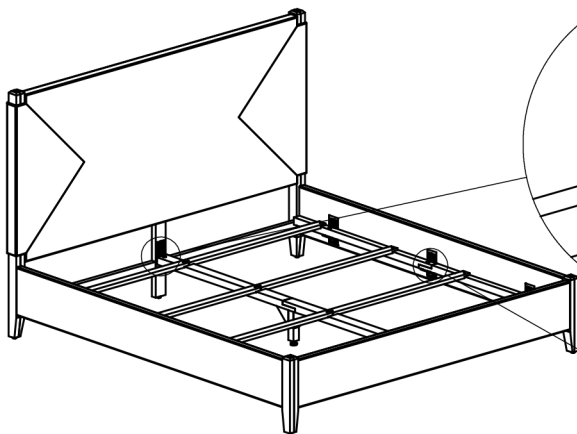


ATTENTION: Adjust the foot so it is touching the ground before placing anything on the wood frame

Step 11



Finish



Height of cross bars can be adjusted after assembly

Follow Steps 9-4 backwards to reset bracket position then repeat Steps 4-9

WARNING: Do not place a mattress directly on wood cross bar included with the bed. A box spring or similar device must be used in between the wood frame and mattress.

