

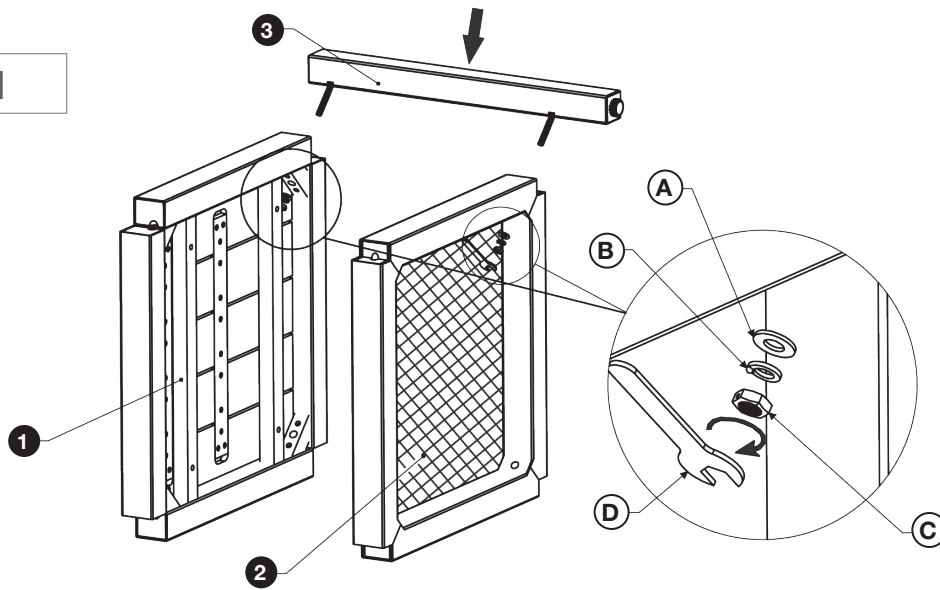
# ASSEMBLY INSTRUCTIONS | WRAP OUTDOOR END TABLE

PARTS CHECKLIST		
1		Table Top (1pc)
2		Shelf (1pc)
3		Leg (4pcs)

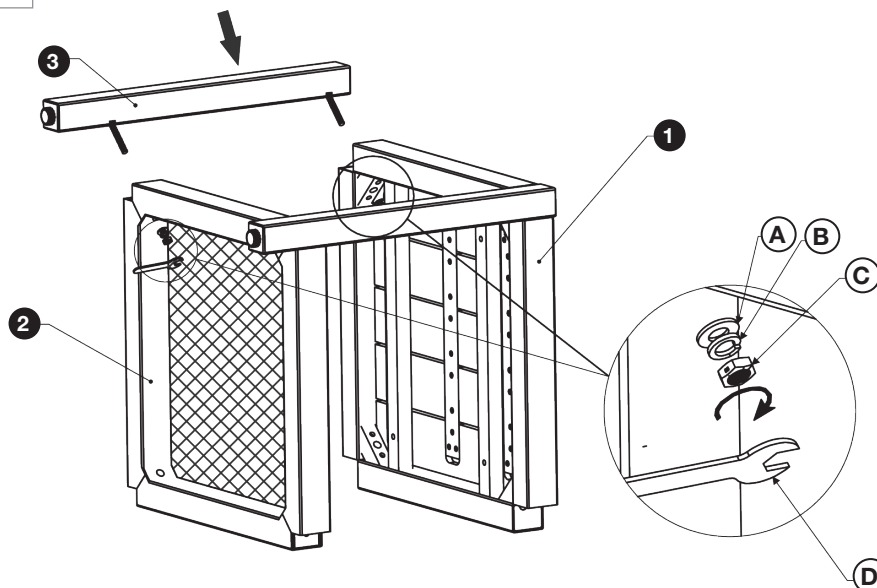
HARDWARE CHECKLIST		
A		Flat Washer M8x16mm (8pcs)
B		Spring Washer M8xø14mm (8pcs)
C		Nut M8 SS (8pcs)
D		Wrench 13 (1pc)

Please do not discard any of the packaging until you have checked all the parts and hardware have been supplied. Follow instructions closely as deviation from them may void your warranty and present a possible safety risk. It is recommended that assembly is done on a soft surface like carpet to avoid any damage. Though not necessary, it is advised that assembly be completed by a team of at least two people.

## Step 1

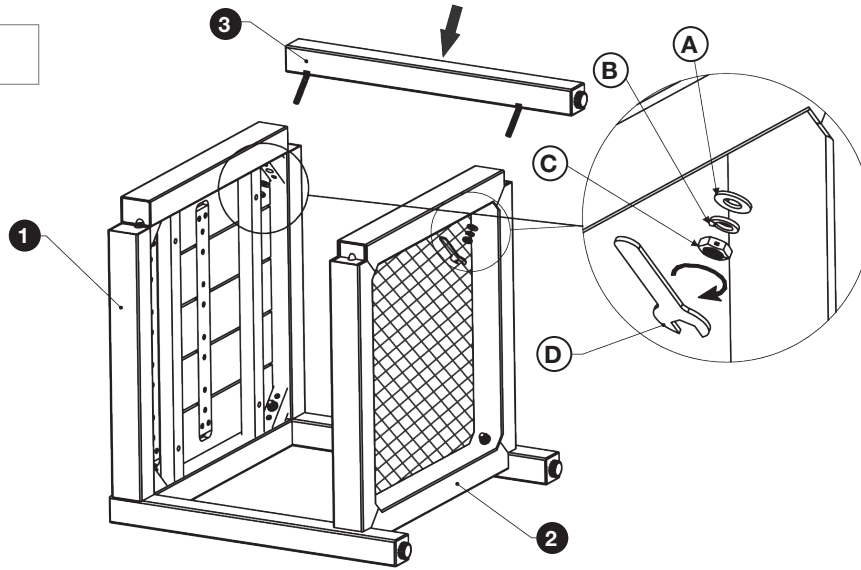


## Step 2

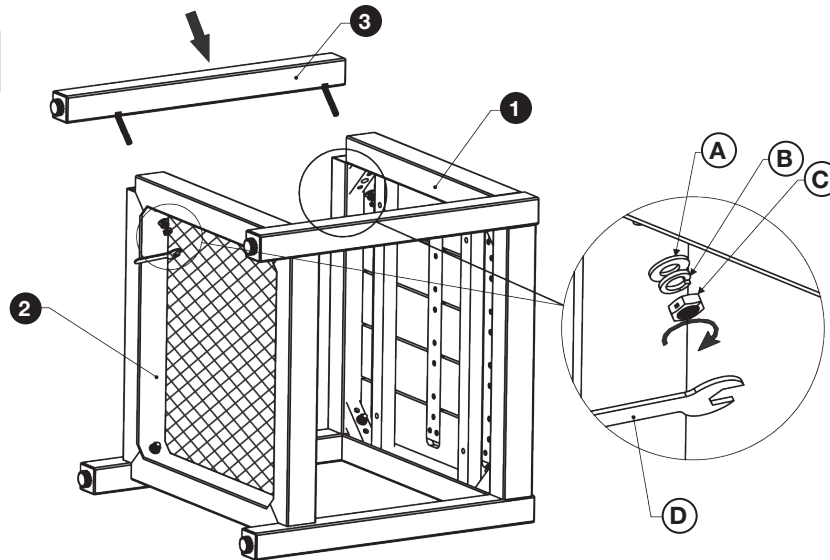


# ASSEMBLY INSTRUCTIONS | WRAP OUTDOOR END TABLE

## Step 3



## Step 4



## Finish

