

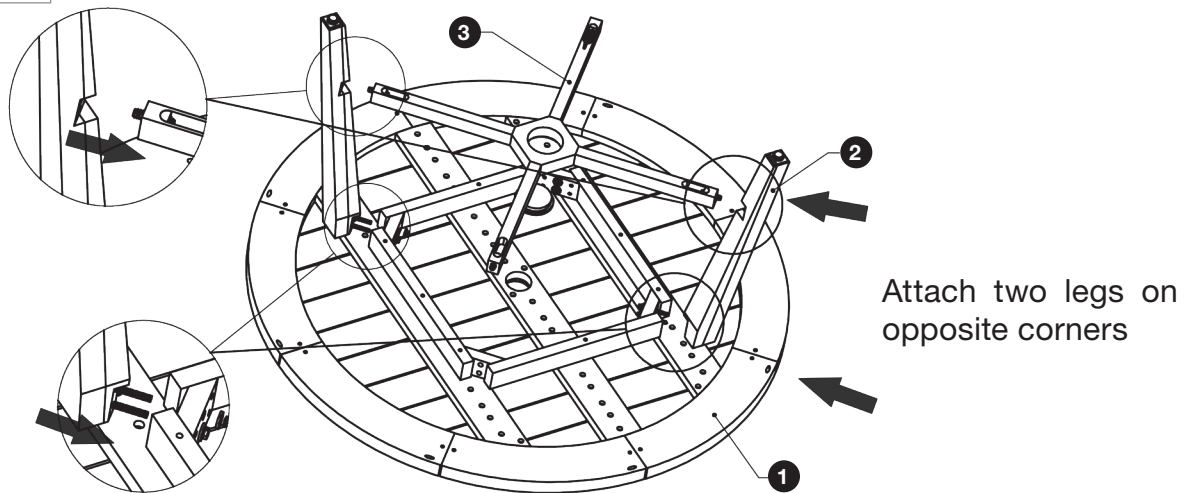
# ASSEMBLY INSTRUCTIONS | CARMEL OUTDOOR 54" RD DINING TABLE

PARTS CHECKLIST		
1		Table Top (1 pc)
2		Legs (4 pcs)
3		X-Base Stretcher (1 pc)

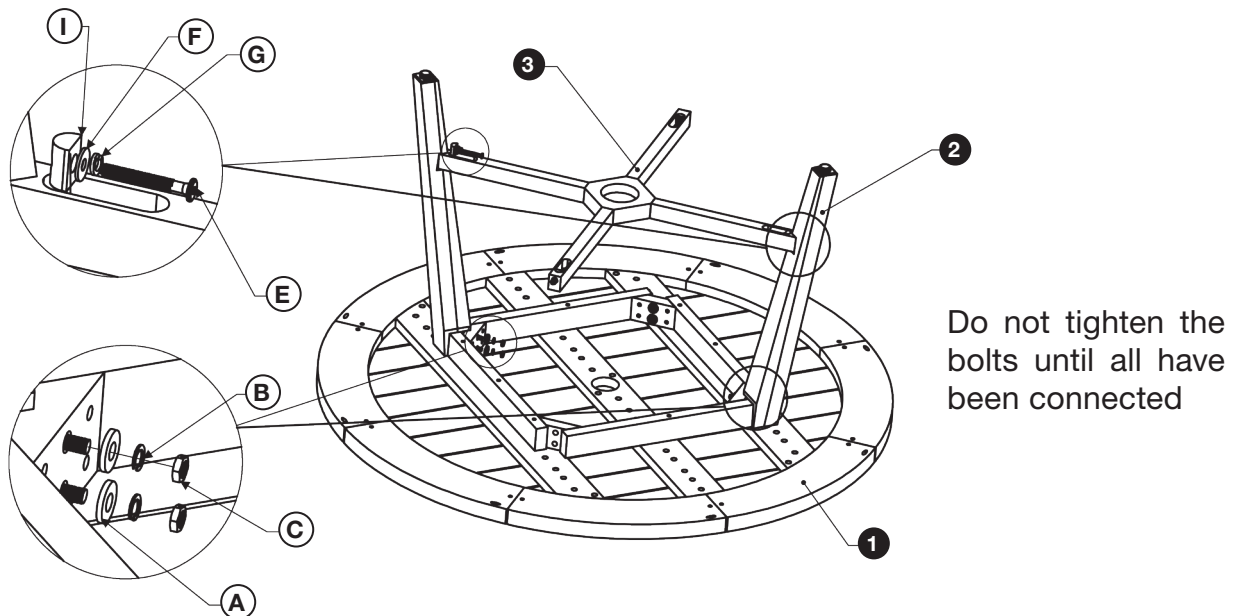
HARDWARE CHECKLIST		
A		Flat Washer M8x23mm (8pcs)
B		Spring Washer M8xø14mm (8pcs)
C		Nut M8 SS (8pcs)
D		Wrench 13 (1pc)
E		JCBC Bolt M6ø50mm (4pcs)
F		Flat Washer M6xø18mm (4pcs)
G		Spring Washer M6xø11mm (4pcs)
H		Hex Key L4 Ballpoint (1pc)
I		Halfmoon Teak (4pcs)

Please do not discard any of the packaging until you have checked all the parts and hardware have been supplied. Follow instructions closely as deviation from them may void your warranty and present a possible safety risk. It is recommended that assembly is done on a soft surface like carpet to avoid any damage. Though not necessary, it is advised that assembly be completed by a team of at least two people.

## Step 1

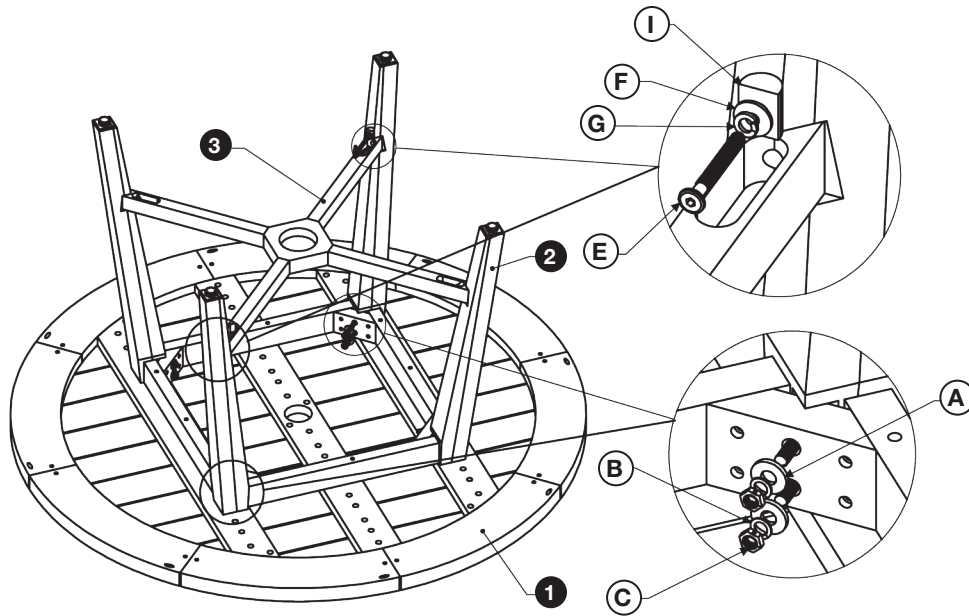


## Step 2



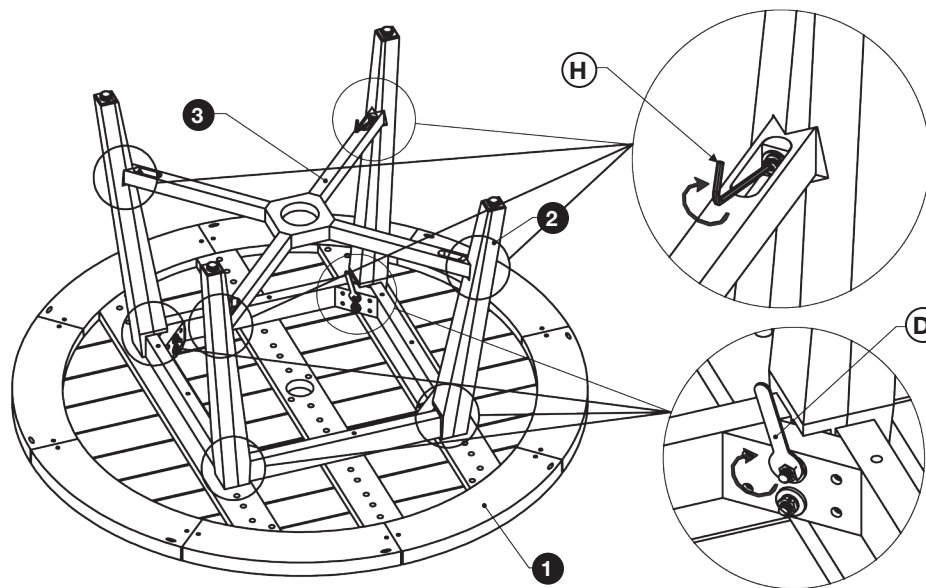
**Step 3**

Attach the remaining two legs on opposite corners. Do not tighten the bolts until all pieces have been connected.



**Step 4**

Tighten all the bolts completely



# ASSEMBLY INSTRUCTIONS | CARMEL OUTDOOR 54" RD DINING TABLE

**Finish**

