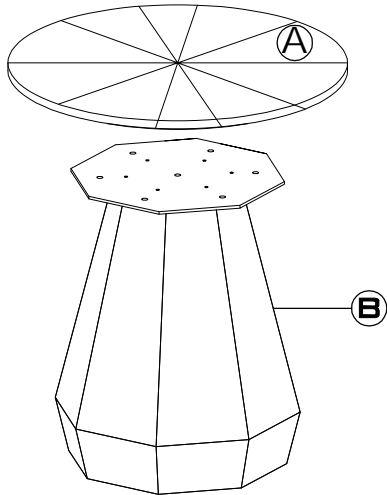


# ASSEMBLY INSTRUCTIONS COULTER ROUND END TABLE



- PLEASE DO NOT DISCARD ANY OF THE PACKAGING UNTIL YOU HAVE CHECKED ALL THE PARTS AND THE PACKS OF HARDWARE.  
 - BEFORE YOU BEGIN TO ASSEMBLE YOUR NEW PIECE OF FURNITURE, PLEASE CHECK TO ENSURE THAT ALL PARTS HAVE BEEN SUPPLIED.  
 - FOLLOW INSTRUCTIONS CLOSELY AS DEVIATION FROM THEM MAY VOID YOUR WARRANTY AND PRESENT A POSSIBLE SAFETY RISK.  
 - IT IS RECOMMENDED THAT ASSEMBLY IS DONE ON A SOFT SURFACE LIKE CARPET TO AVOID ANY DAMAGE.  
 - PERIODICALLY CHECK AND RE-TIGHTEN ANY FASTENERS. WIPE DOWN ALL SURFACES WEEKLY WITH A CLEAN CLOTH. DO NOT CLEAN ANY SURFACES WITH HARSH ABRASIVES OR CHEMICALS.

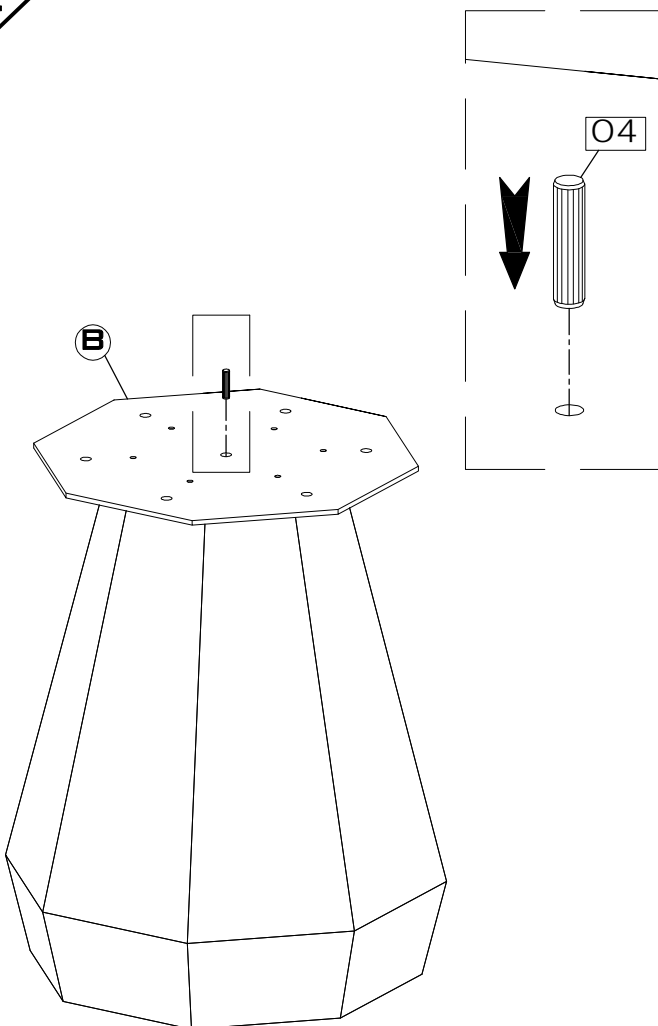
## Parts Check List

Code	Components	Qty
(A)	TABLE TOP	x01
(B)	LEG	x01

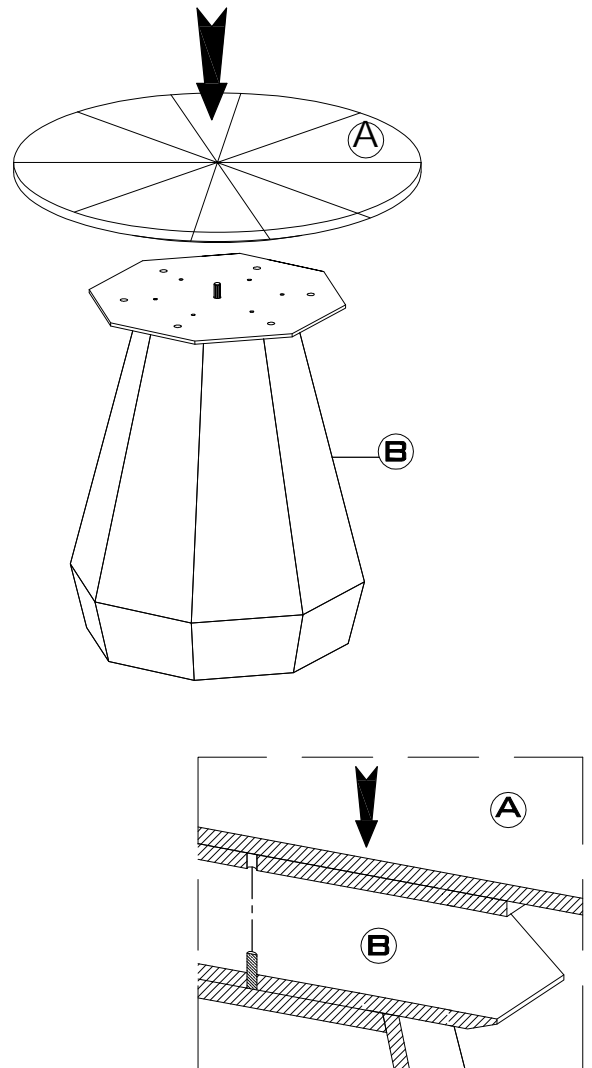
## Hardware Check List

Code	Description	Qty
01	BOLT	x06
02	SPRING WASHER	x06
03	FLAT WASHER	x06
04	WOODEN DOWEL	x01
05	ALLEN KEY	x01

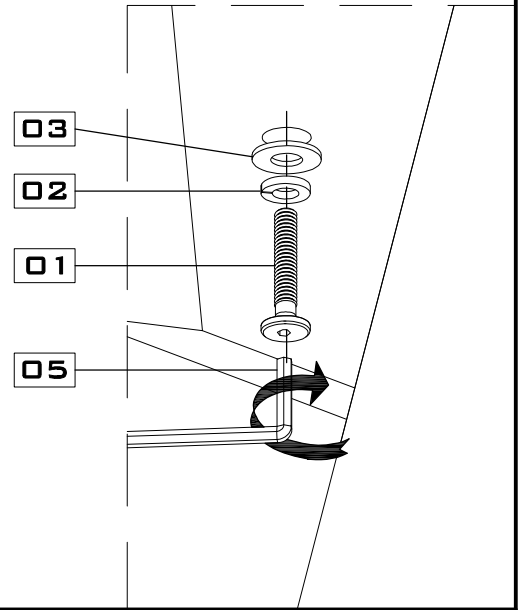
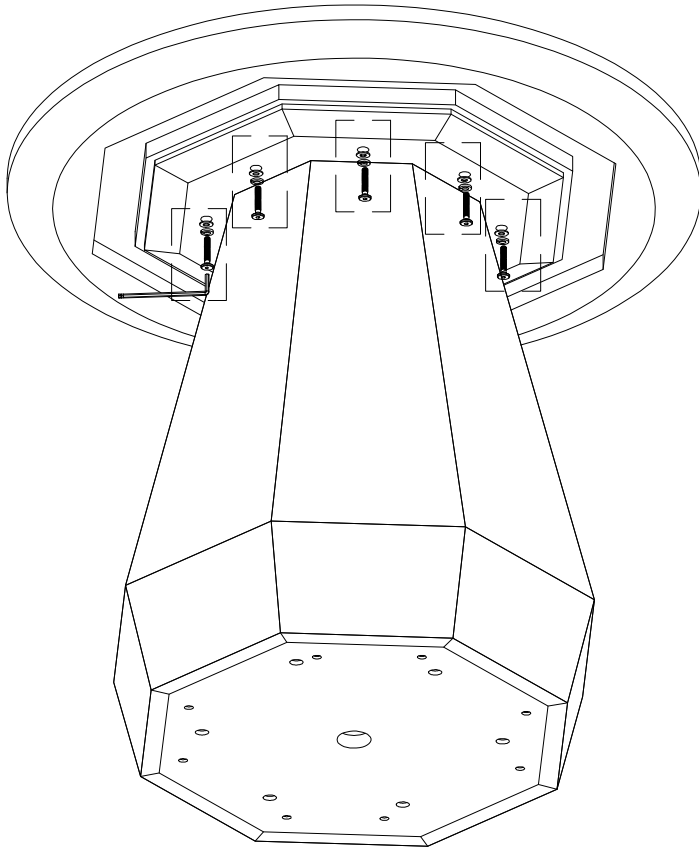
1.



2.



3.



4.

