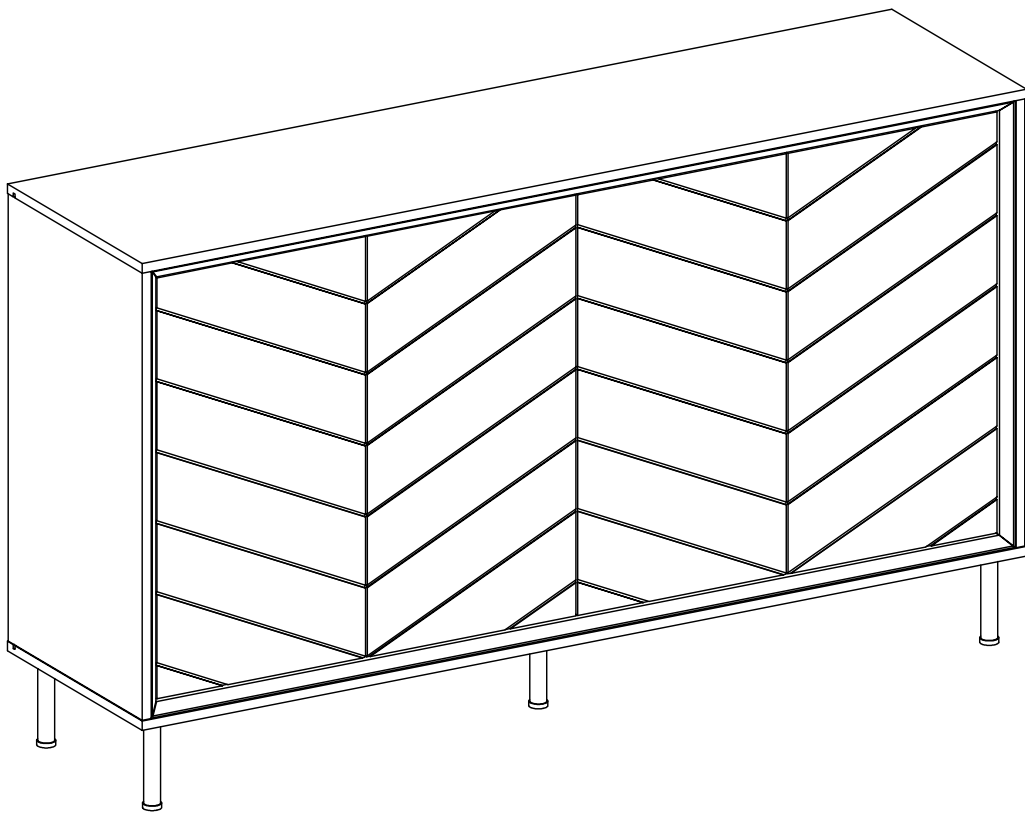


# ASSEMBLY INSTRUCTIONS

# EEI-6336

V0.02.02.23



**Questions? Contact us!**

609.256.9000 • [cs@modway.com](mailto:cs@modway.com)  
[www.modway.com](http://www.modway.com)

**\*modway**

# Let's get started!

\*modway



Read through all of the instructions before starting



Care instructions are listed in the last step of this manual



Approx. 60 minutes assembly time



Make sure you have all parts and components before discarding any packing materials



2 people recommended for assembly

**Only use hand tools to assemble this item.** Do not use power tools. Do not tighten bolts or screws completely until all hardware is lined up and inserted into the holes.

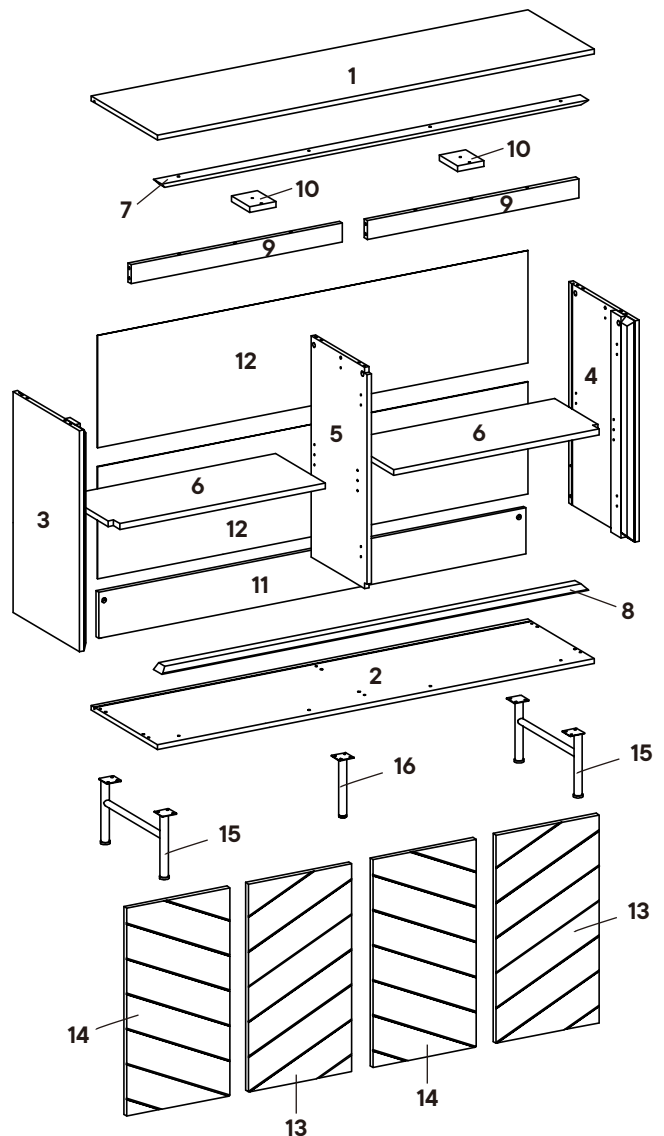
Do not over-tighten screws and bolts to avoid stripping the hardware or cracking the item.

Assemble your item on a flat, carpeted area, with plenty of space to work. This will prevent damage and scratches to your floors or the item while you're assembling the product.

Keep all components and packaging out of reach of children or animals to avoid risk of choking or suffocation.

## Furniture components:

1	Top Board	x1	13	Right Door	x1
2	Bottom Board	x1	14	Left Door	x1
3	Left Side Board	x1	15	Side Leg	x2
4	Right Side Board	x1	16	Middle Leg	x1
5	Divider Board	x1			
6	Adjustable Shelf	x2			
7	Top Support	x1			
8	Bottom Support	x1			
9	Middle Support	x2			
10	Rectangle Support	x2			
11	Bottom Backboard	x1			
12	Backboard	x2			






Wait!



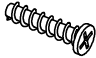




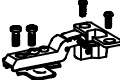

**Missing parts or hardware? Need assistance?**

Contact us before returning your item. We're here to help!

609.256.9000 • [cs@modway.com](mailto:cs@modway.com)

## Provided hardware:

A		Cam Lock Ø15 mm	x14
B		Cam Bolt Ø7.5 x 32 mm	x14
C		Cam Cover Ø17 mm	x10
D		Plastic Dowel Ø8 x 32 mm	x24
E		Cover Shock Ø15 mm	x2
F		Screw M 10 x 33.5 mm	x10
G		Screw M 6 x 8 mm	x8
H		Backply Stopper	x14
I		Screw M 4 x 19 mm	x14

J		Push To Open	x4
K		Screw M 3 x 12 mm	x2
L		Screw M 10 x 25 mm	x12
M		Full Curve Door Hinge	x4
N		Screw M 4 x 10 mm	x16
O		H-Profile	x1
P		Shelf Pin Ø7 x 16.5 mm	x8
Q		Half Curve Door Hinge	x4
R		Wall Bracket Set	x1

## What you need:


 Phillips Head Screwdriver

**Wait!**

**Missing parts or hardware? Need assistance?**

Contact us before returning your item. We're here to help!

609.256.9000 • [cs@modway.com](mailto:cs@modway.com)

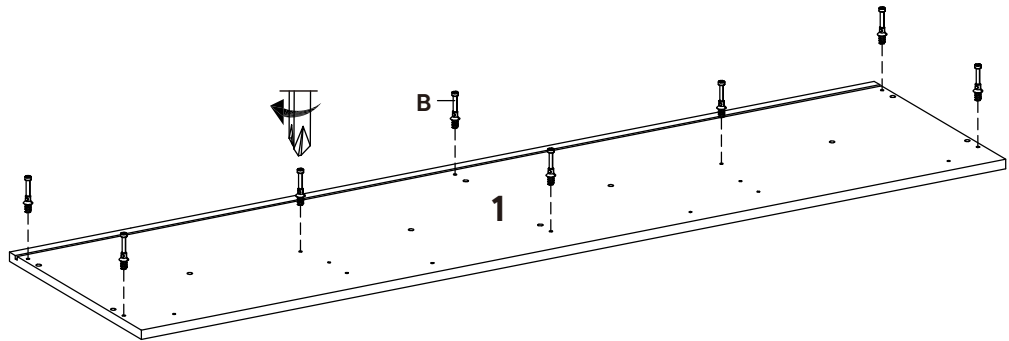
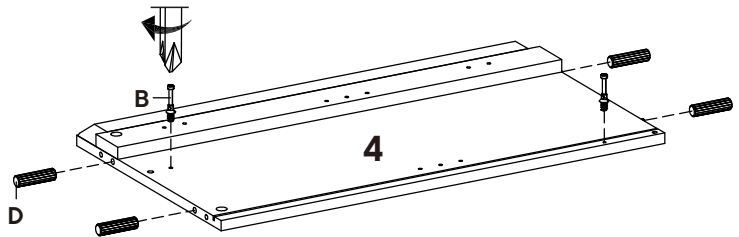
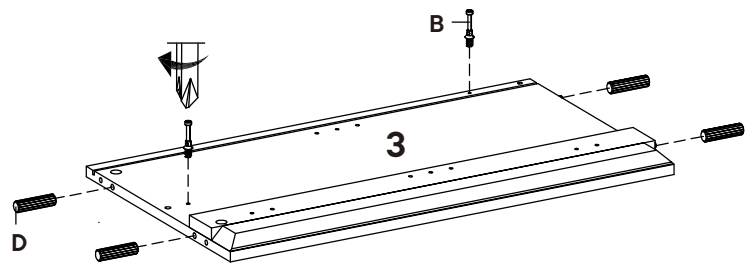
# Step 1

## HARDWARE

- B** Cam Bolt  $\varnothing 7.5 \times 32$  mm x12
- D** Plastic Dowel  $\varnothing 8 \times 32$  mm x8

## COMPONENTS

- 1** Top Board x1
- 3** Left Side Board x1
- 4** Right Side Board x1



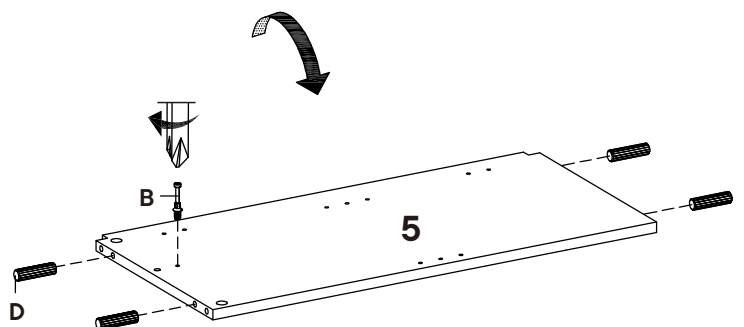
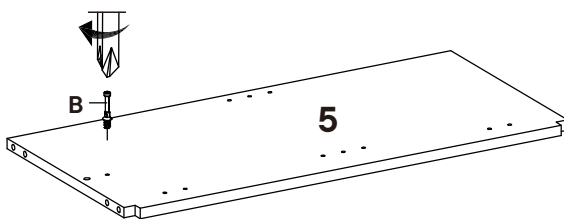
# Step 2

## HARDWARE

- B** Cam Bolt  $\varnothing 7.5 \times 32$  mm x2
- D** Plastic Dowel  $\varnothing 8 \times 32$  mm x4

## COMPONENTS

- 5** Divider Board x1



## Step 3

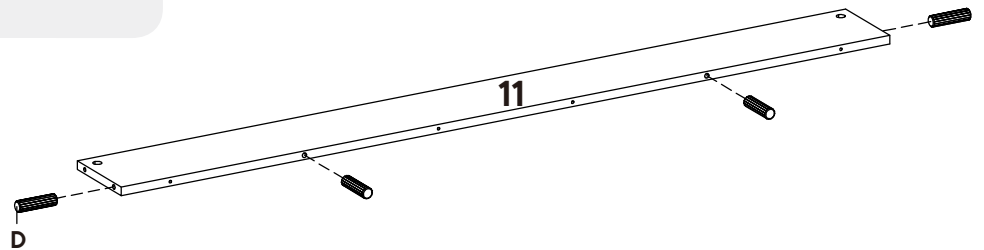
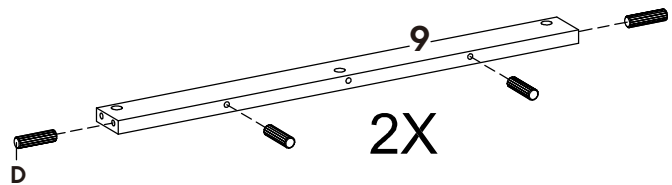
### HARDWARE

**D** Plastic Dowel Ø8 x 32 mm x12

### COMPONENTS

**9** Middle Support x2

**11** Bottom Backboard x1



## Step 4

### HARDWARE

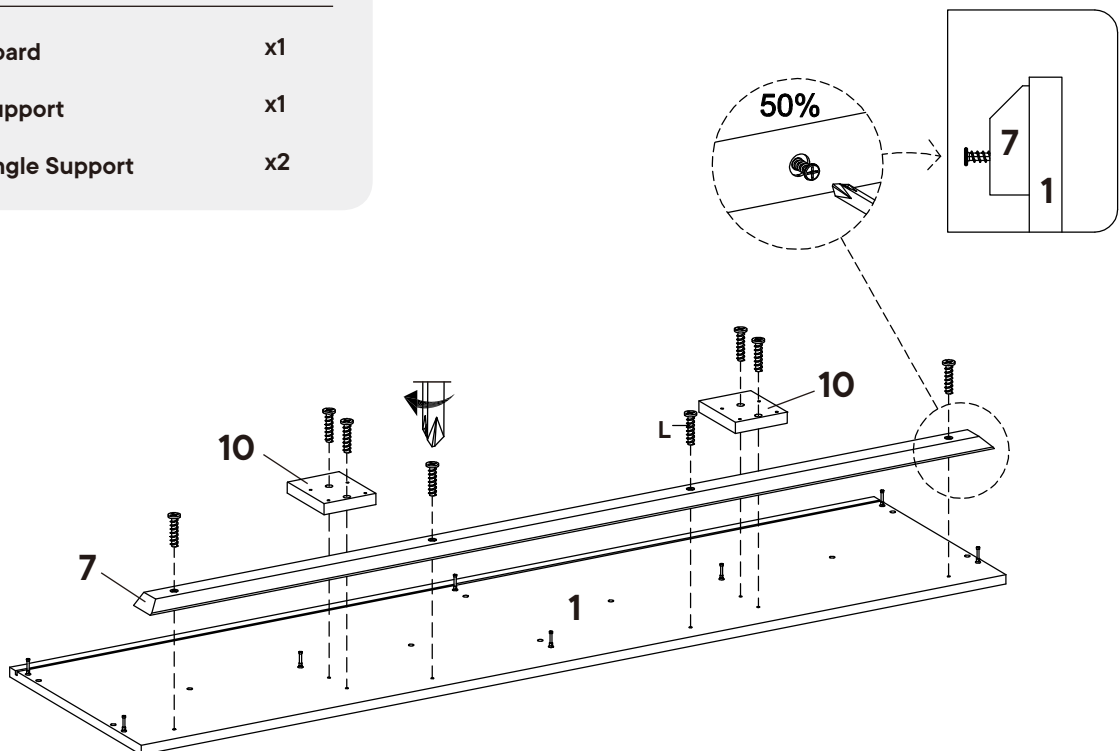
**L** Screw M 10 x 25 mm x8

### COMPONENTS

**1** Top Board x1

**7** Top Support x1

**10** Rectangle Support x2



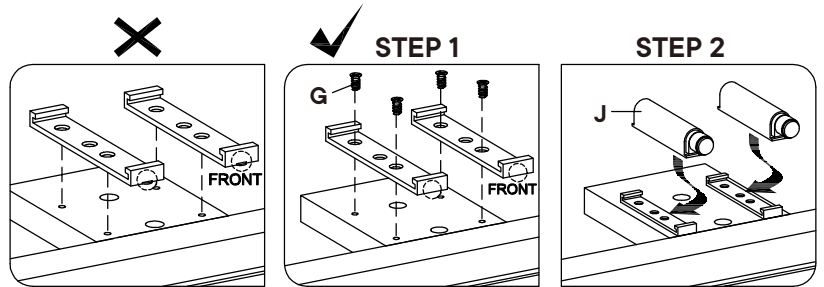
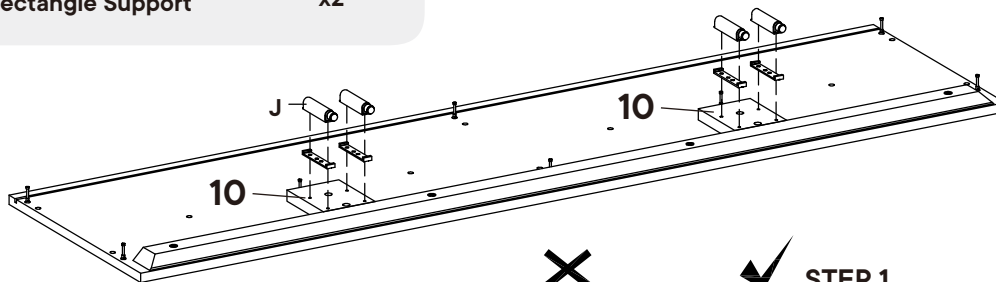
## Step 5

### HARDWARE

- G** Screw M 6 x 8 mm x8
- J** Push To Open x4

### COMPONENTS

- 10** Rectangle Support x2



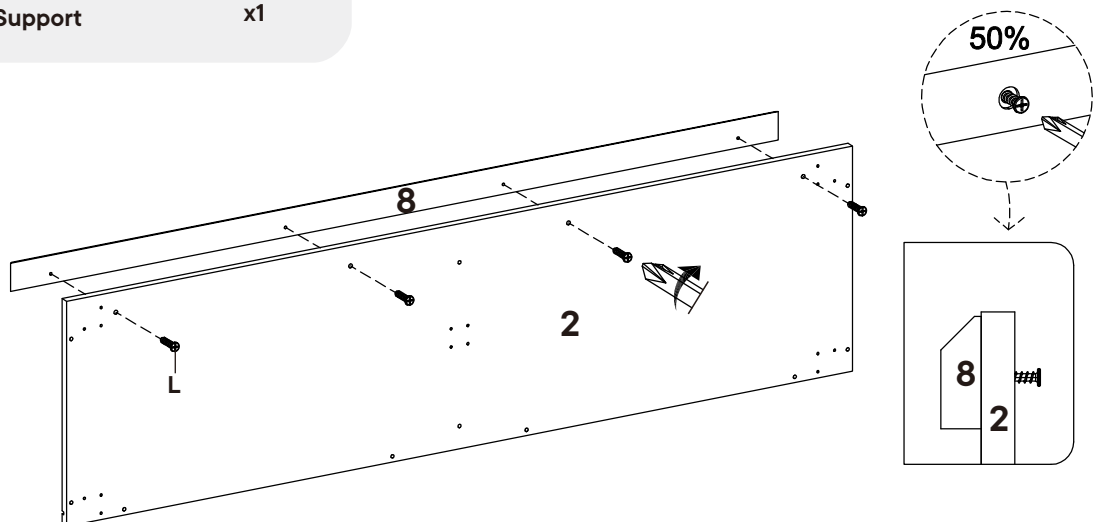
## Step 6

### HARDWARE

- L** Screw M 10 x 25 mm x4

### COMPONENTS

- 2** Bottom Panel x1
- 8** Bottom Support x1



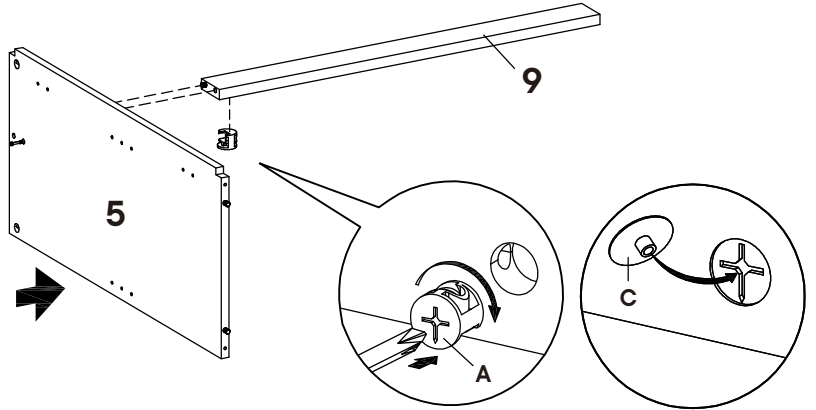
## Step 7

### HARDWARE

- A** Cam Lock Ø15 mm x1
- C** Cam Cover Ø17 mm x1

### COMPONENTS

- 5** Divider Board x1
- 9** Middle Support x1



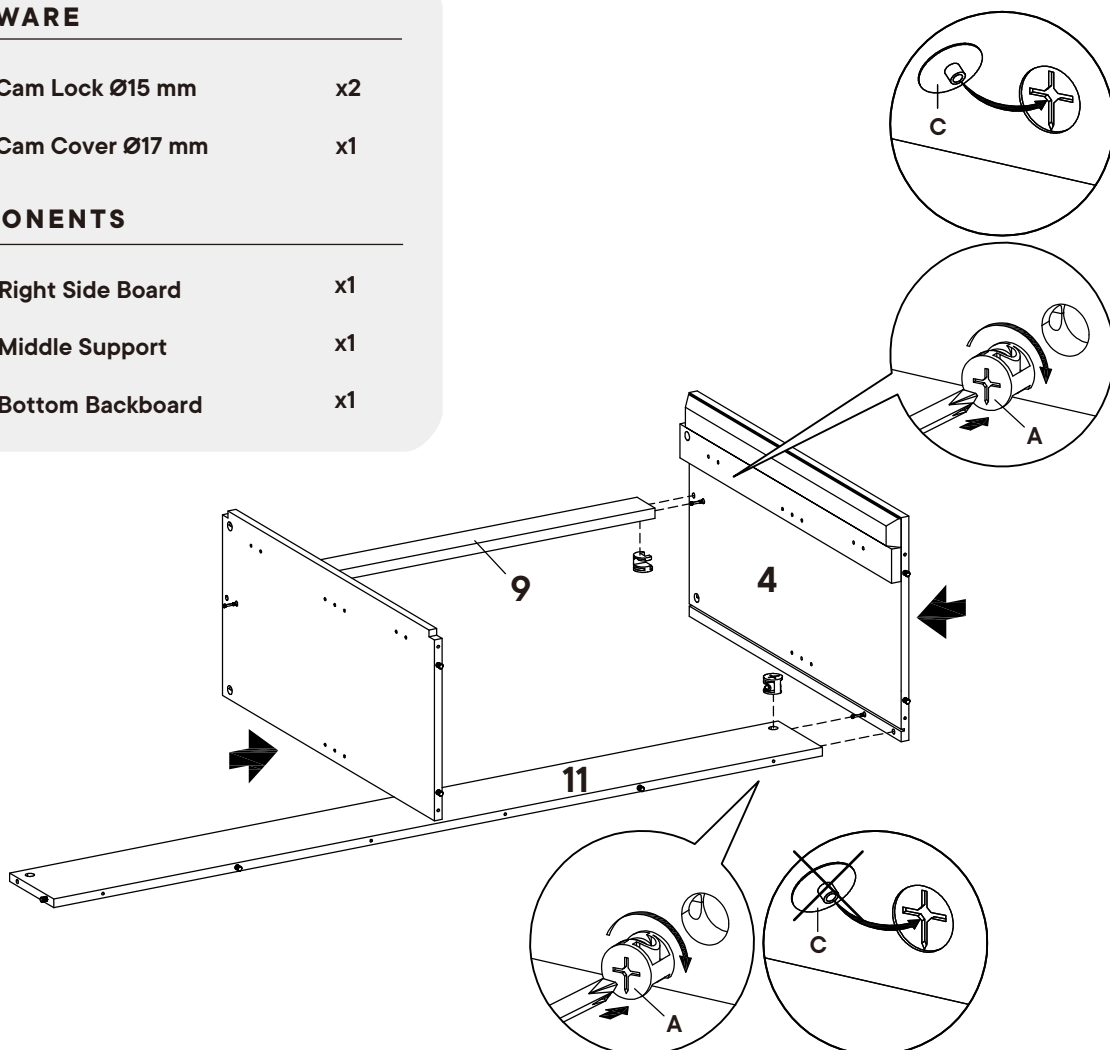
## Step 8

### HARDWARE

- A** Cam Lock Ø15 mm x2
- C** Cam Cover Ø17 mm x1

### COMPONENTS

- 4** Right Side Board x1
- 9** Middle Support x1
- 11** Bottom Backboard x1



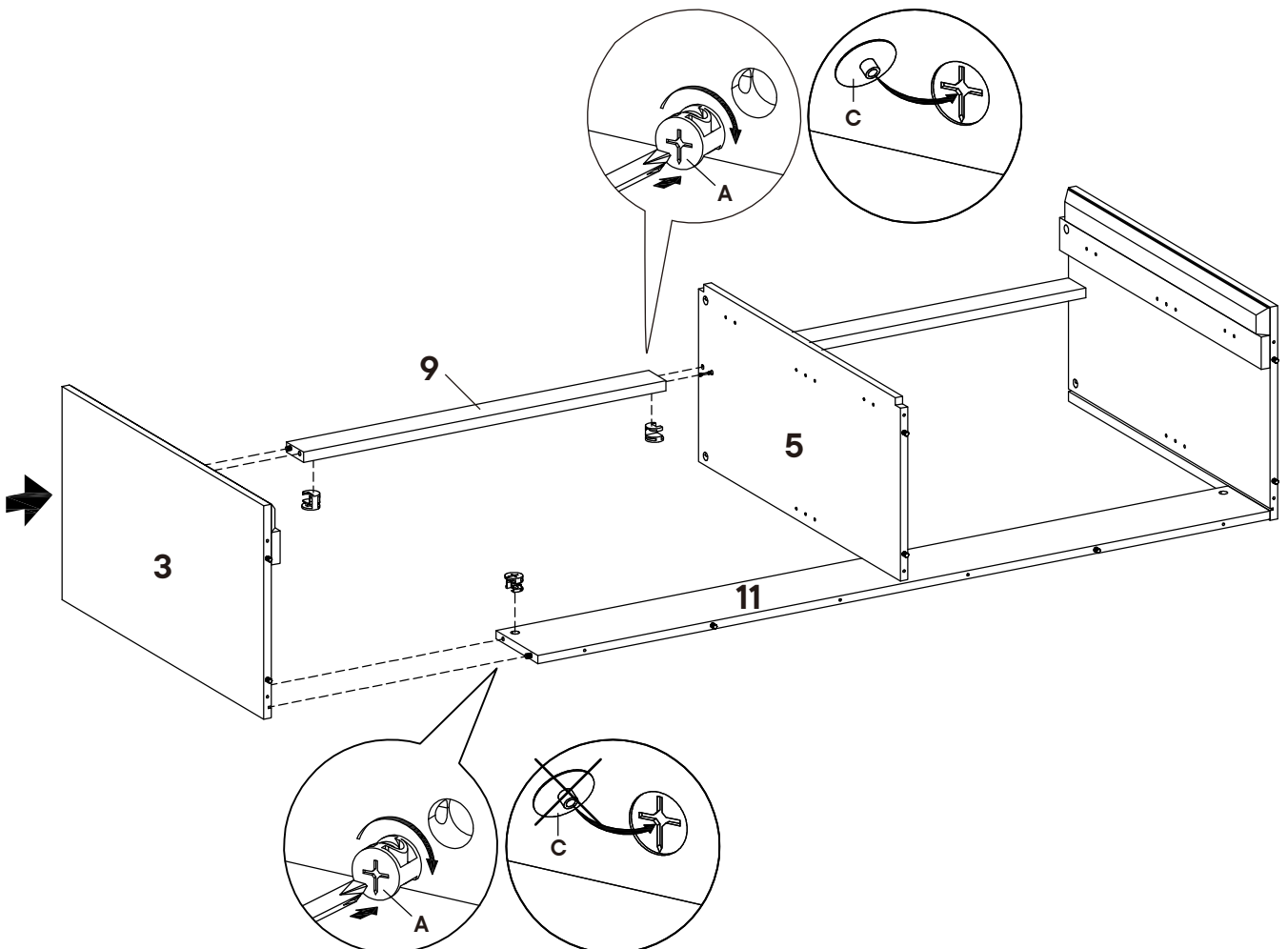
# Step 9

## HARDWARE

- A** Cam Lock  $\varnothing$ 15 mm x3
- C** Cam Cover  $\varnothing$ 17 mm x2

## COMPONENTS

- 3** Left Side Board x1
- 5** Divider Board x1
- 9** Middle Support x1
- 11** Bottom Backboard x1





# Step 10

## HARDWARE

**F** Screw M 10 x 33.5 mm x10

## COMPONENTS

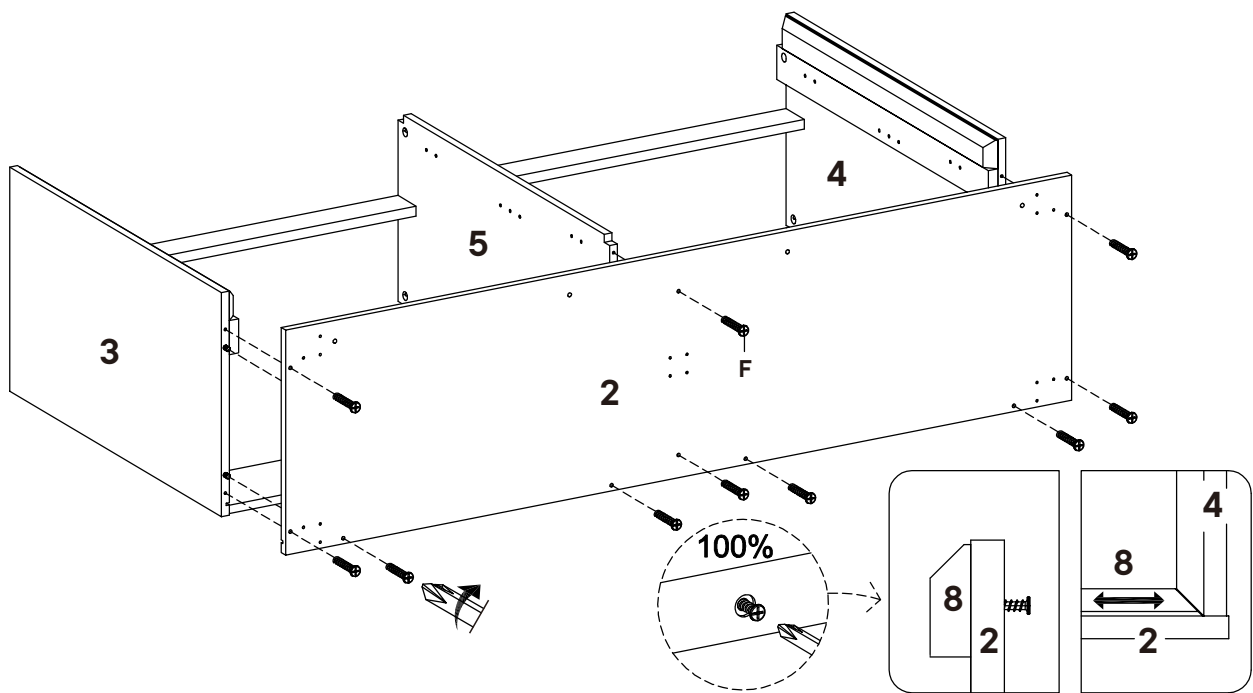
**2** Bottom Board x1

**3** Left Side Board x1

**4** Right Side Board x1

**5** Divider Board x1

**11** Bottom Backboard x1



## Step 11

### HARDWARE

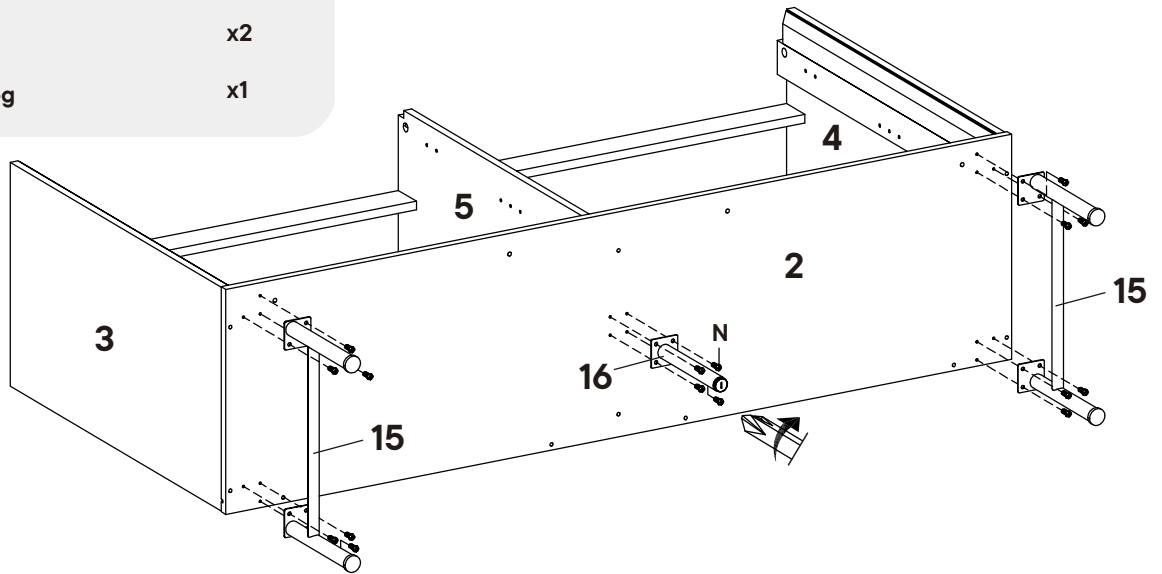
**N** Screw M 4 x 10 mm x16

### COMPONENTS

**2** Bottom Board x1

**15** Side Leg x2

**16** Middle Leg x1



## Step 12

### HARDWARE

**O** H-Profile x1

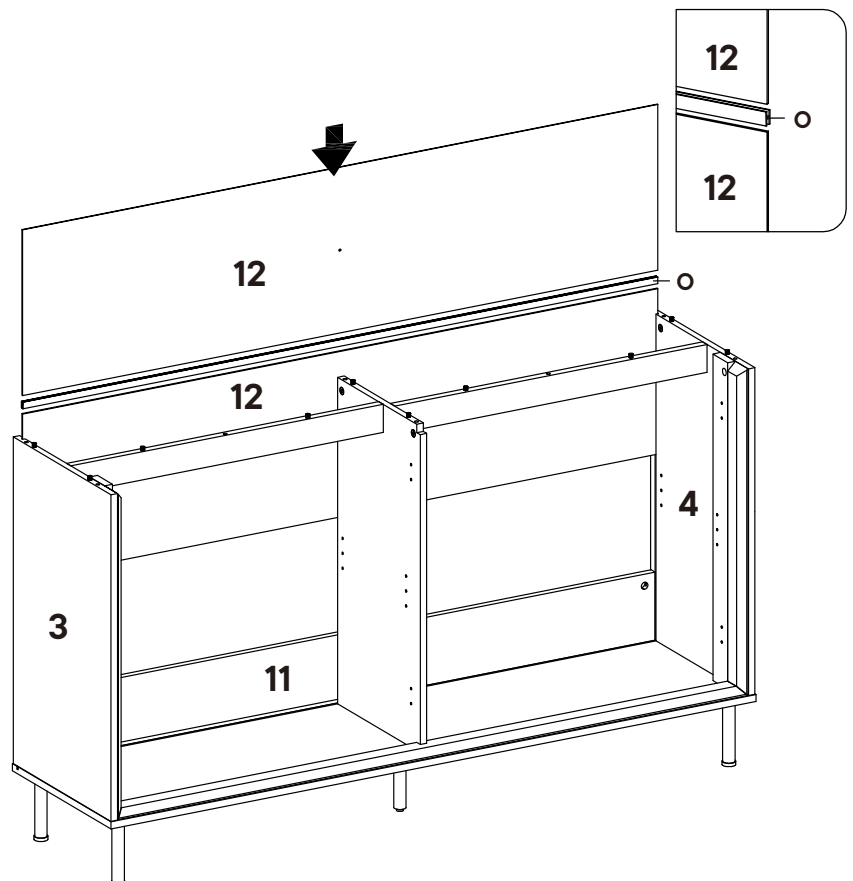
### COMPONENTS

**3** Left Side Board x1

**4** Right Side Board x1

**11** Bottom Backboard x1

**12** Backboard x2



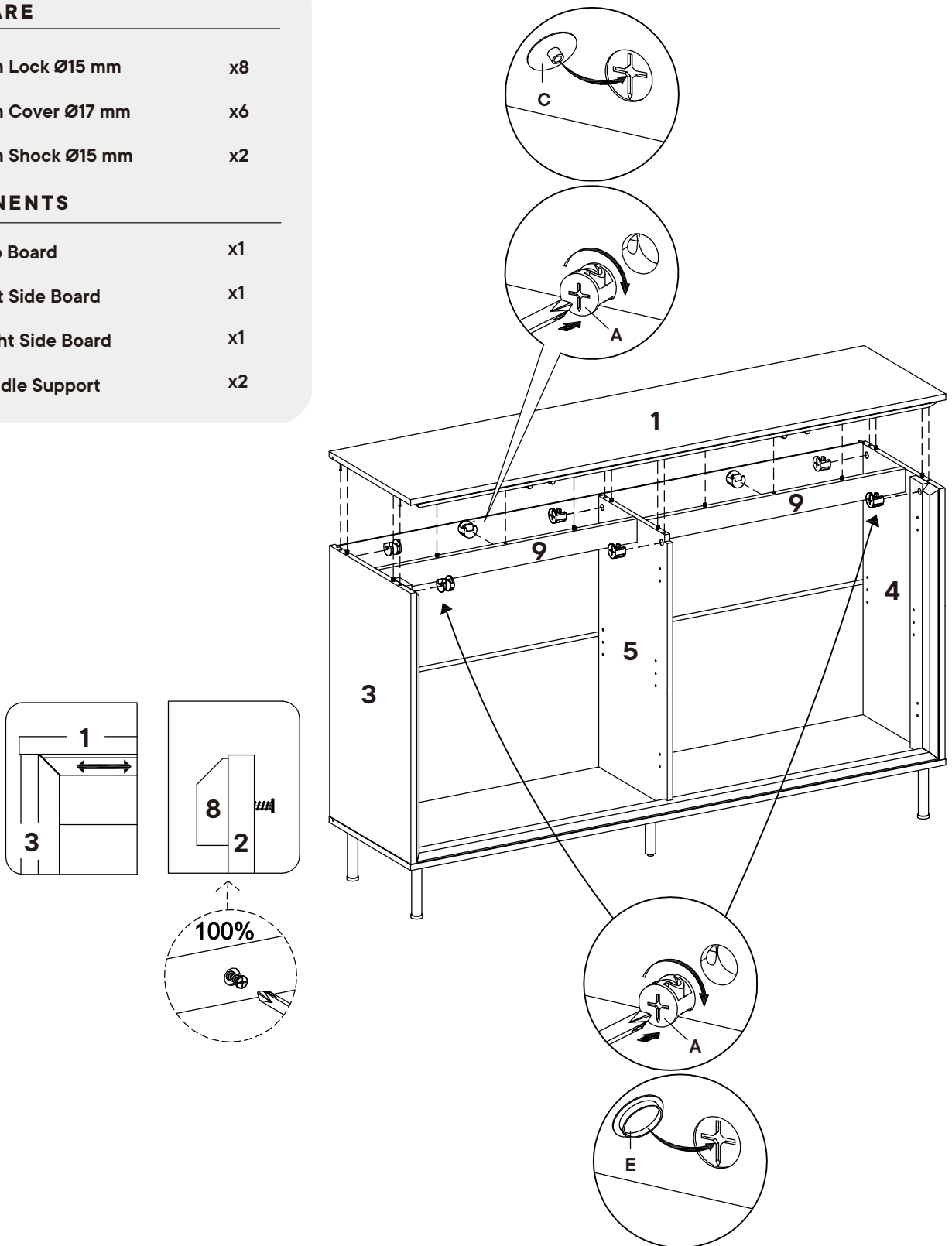
# Step 13

## HARDWARE

<b>A</b>	Cam Lock $\varnothing 15$ mm	x8
<b>C</b>	Cam Cover $\varnothing 17$ mm	x6
<b>E</b>	Cam Shock $\varnothing 15$ mm	x2

## COMPONENTS

<b>1</b>	Top Board	x1
<b>3</b>	Left Side Board	x1
<b>4</b>	Right Side Board	x1
<b>9</b>	Middle Support	x2



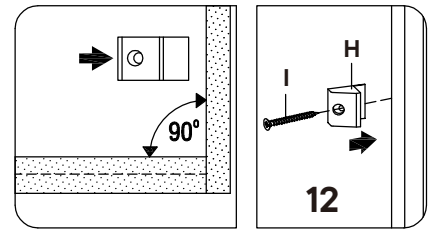
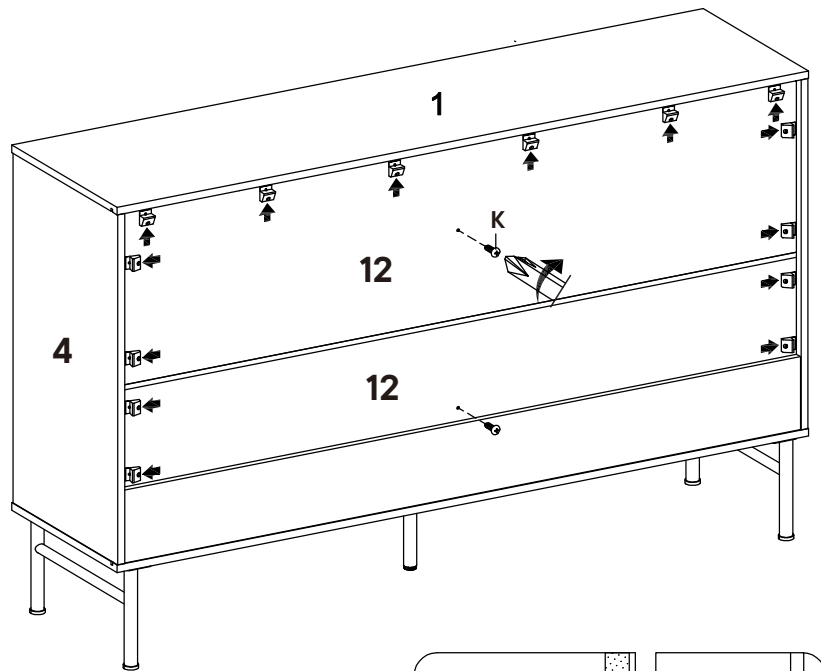
## Step 14

### HARDWARE

<b>H</b>	Backply Stopper	x14
<b>I</b>	Screw M 4 x 19 mm	x14
<b>K</b>	Screw M 3 x 12 mm	x2

### COMPONENTS

<b>1</b>	Top Board	x1
<b>3</b>	Left Side Board	x1
<b>4</b>	Right Side Board	x1
<b>12</b>	Backboard	x2



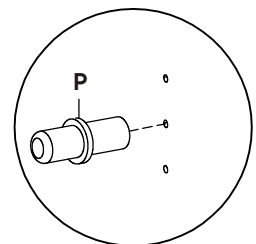
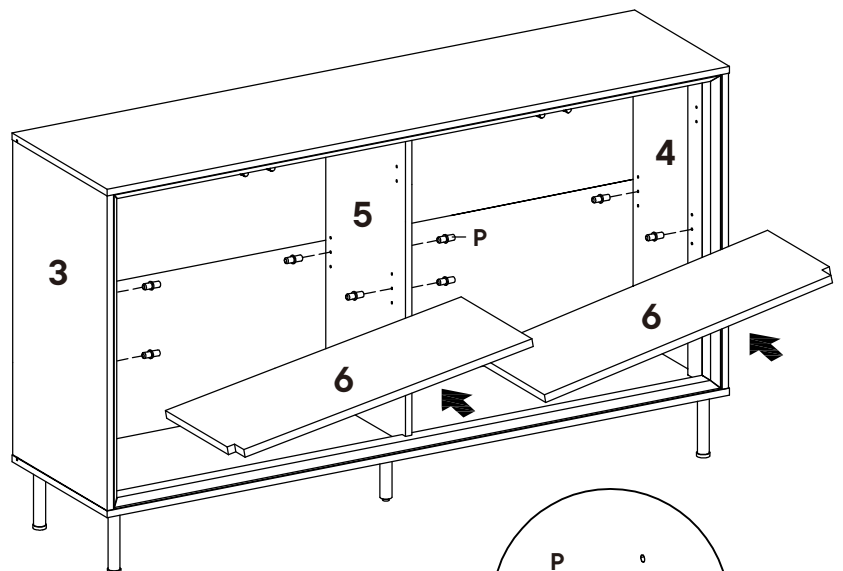
## Step 15

### HARDWARE

<b>P</b>	Shelf Pin Ø7 x 16.5 mm	x8
----------	------------------------	----

### COMPONENTS

<b>3</b>	Left Side Board	x1
<b>4</b>	Right Side Board	x1
<b>5</b>	Divider Board	x1
<b>6</b>	Adjustable Shelf	x2



# Step 16

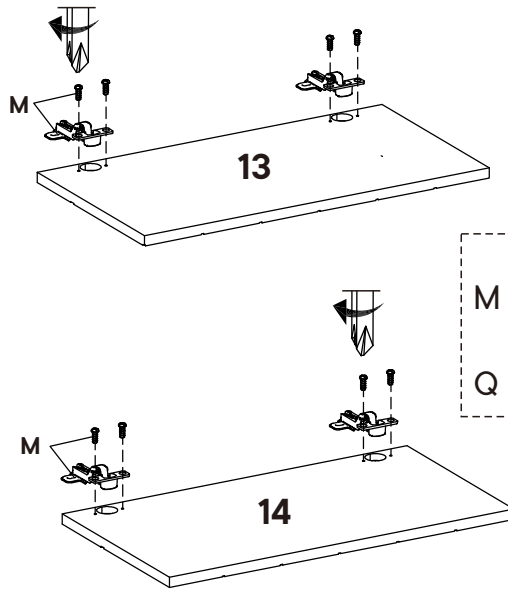
## HARDWARE

**M** Full Curve Door Hinge x4

## COMPONENTS

**13** Right Door x1

**14** Left Door x1



# Step 17

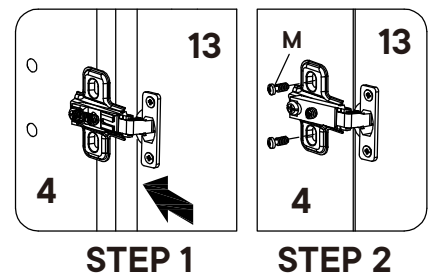
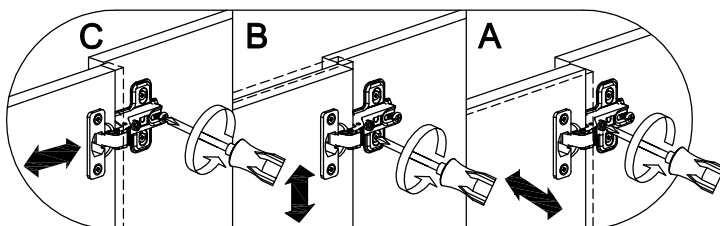
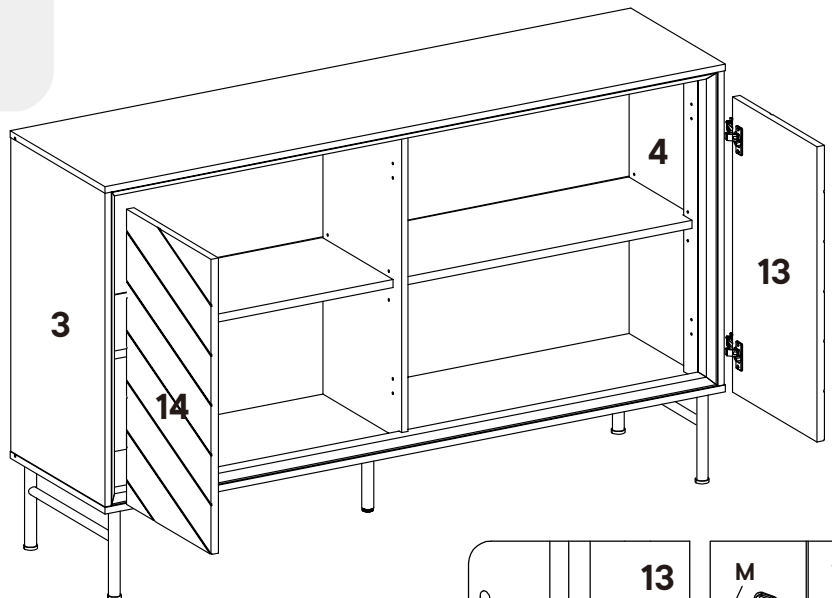
## COMPONENTS

**3** Left Side Board x1

**4** Right Side Board x1

**13** Right Door x1

**14** Left Door x1



# Step 18

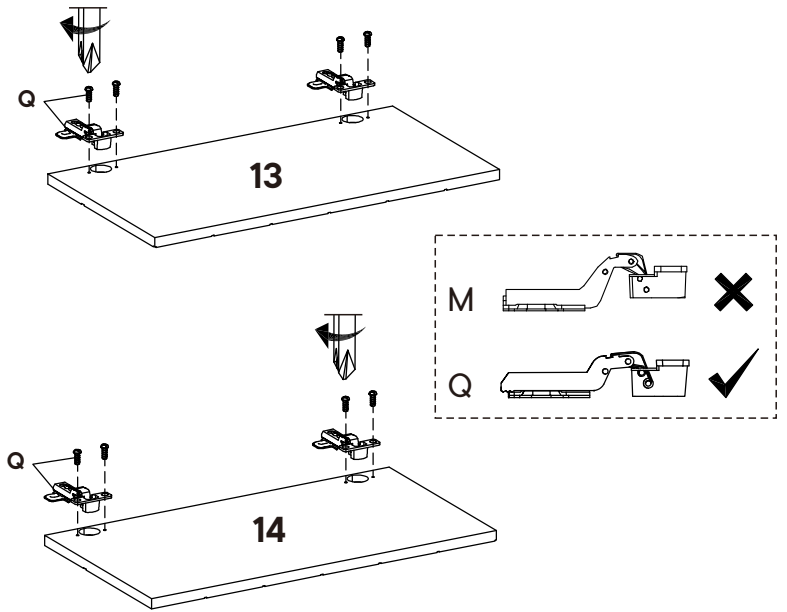
## HARDWARE

Q Half Curve Door Hinge x4

## COMPONENTS

13 Right Door x1

14 Left Door x1



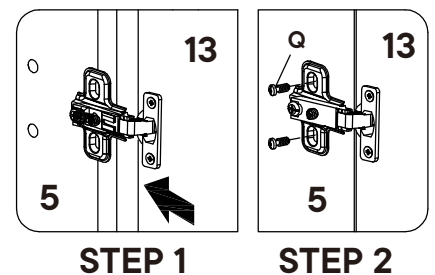
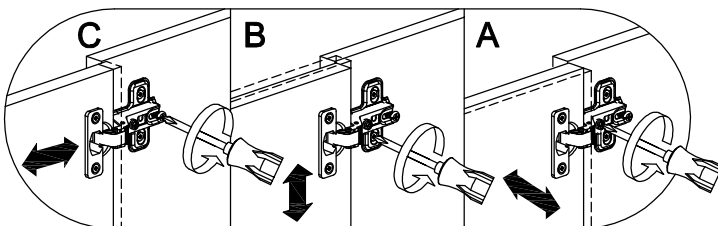
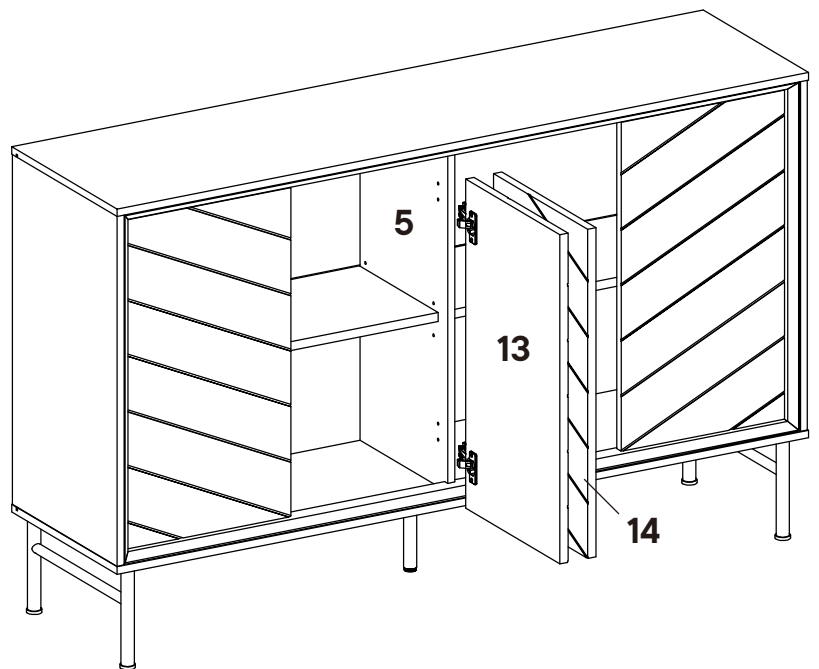
# Step 19

## COMPONENTS

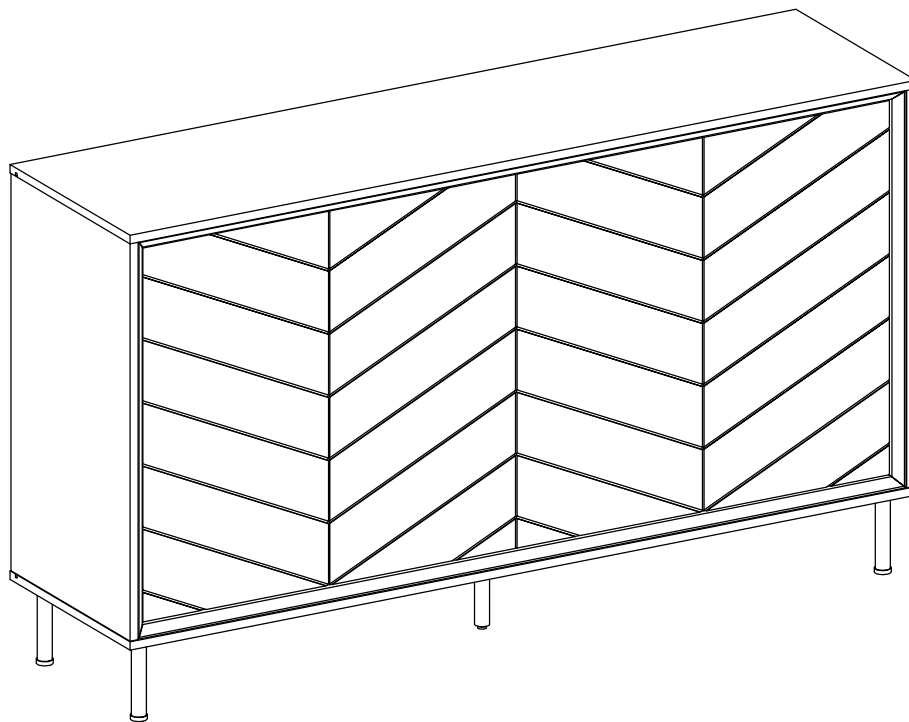
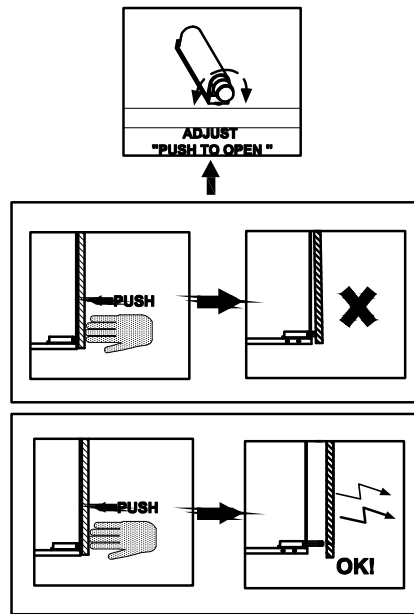
5 Divider Board x1

13 Right Door x1

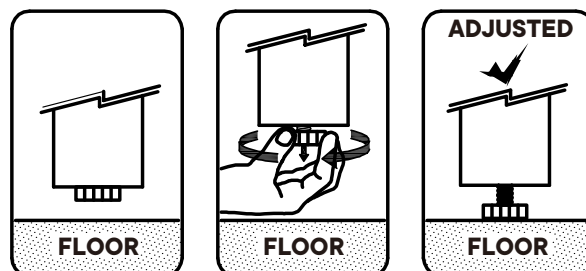
14 Left Door x1



# Step 20



## ADJUSTABLE FEET



# Great job!

Sideboard assembly is complete



## CARING FOR YOUR ITEM

Indoor use only.

Not contract grade.

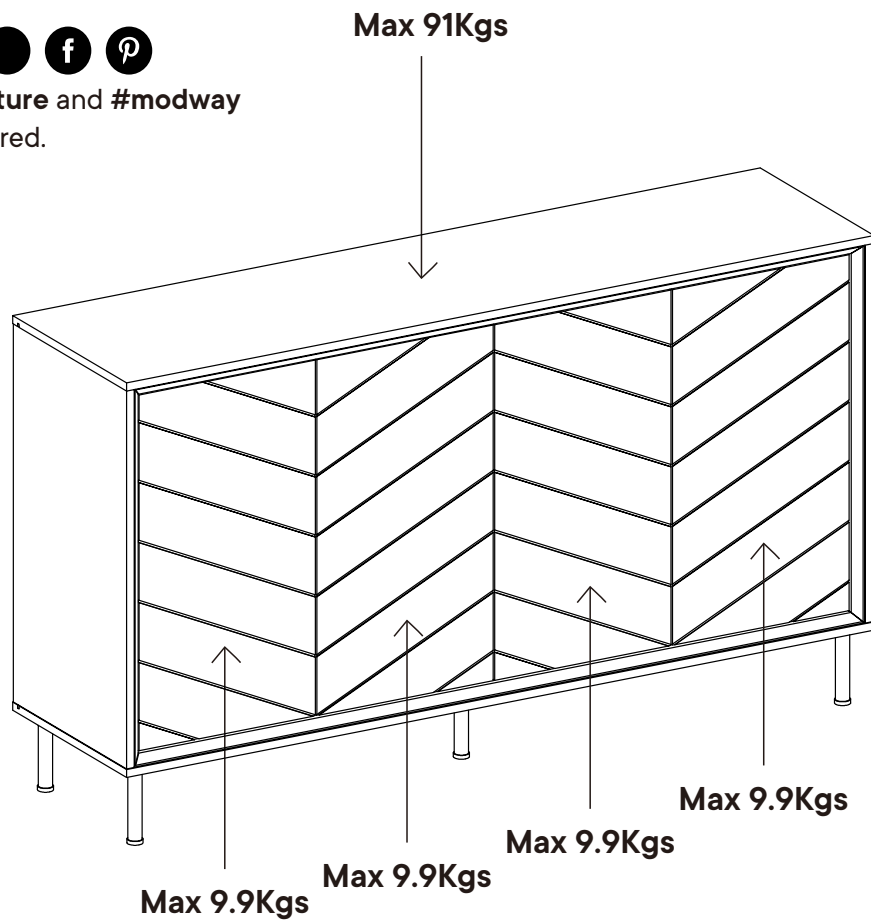
Clean using a non-abrasive cloth and a mild cleaner.

Never use harsh chemicals, as they could damage the finish or integrity of the item.

## CONNECT WITH US!



Tag us @modway\_furniture and #modway for a chance to be featured.

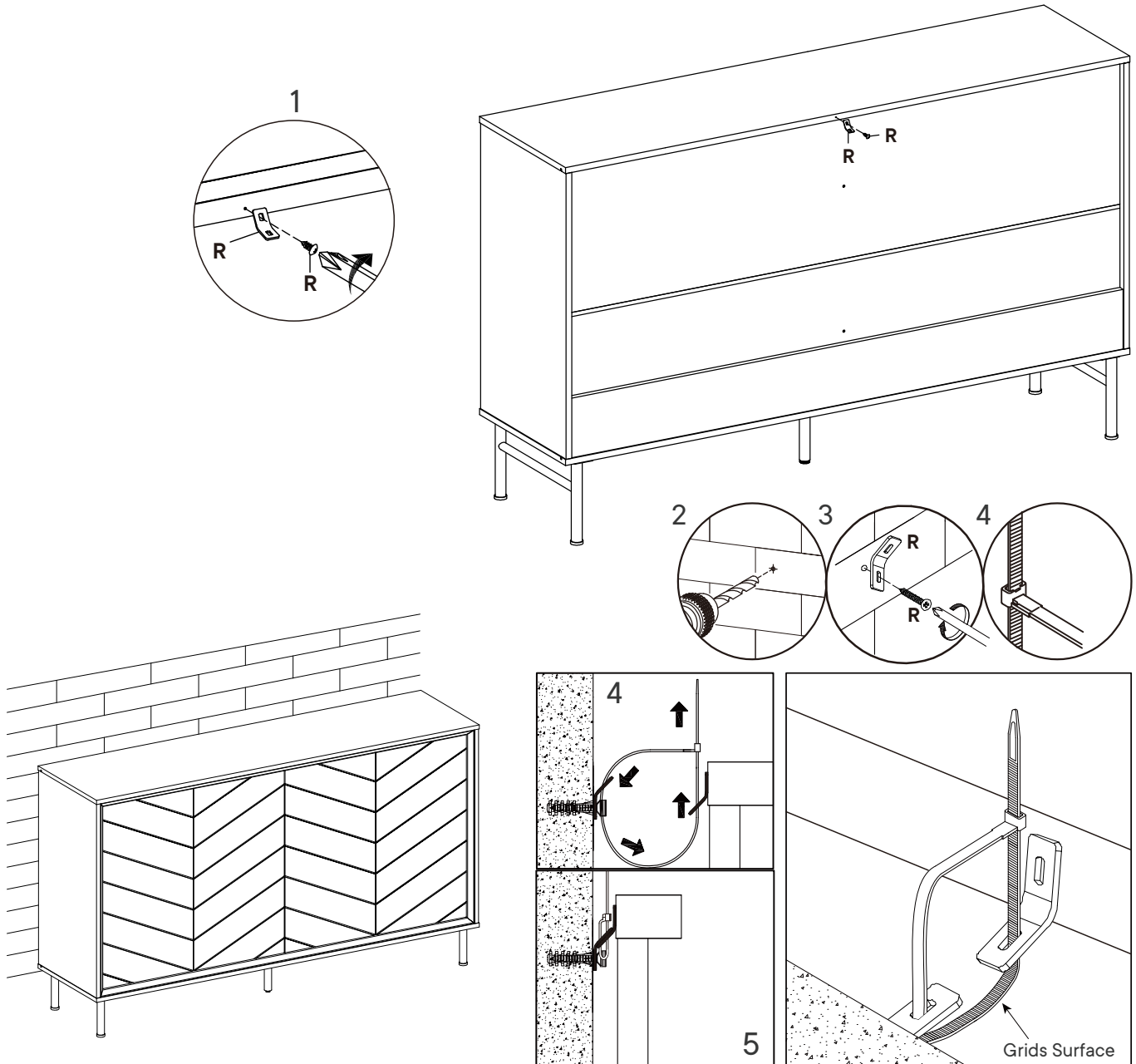
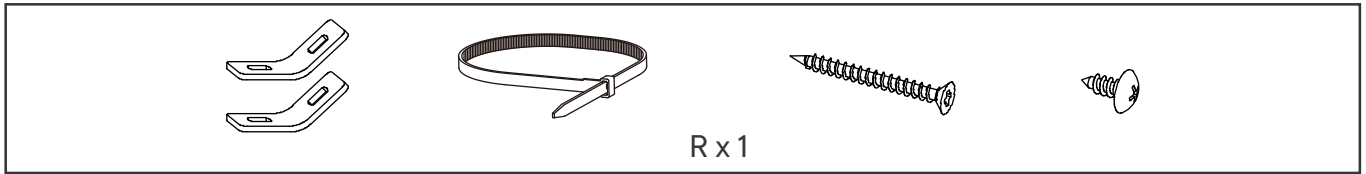




## TIPPING RESTRAINTS KIT INSTALLATION GUIDANCE

Different wall materials require unique wall fasteners.

Please consult your local hardware store to ensure you are using the correct hardware for you wall type.



### **Installation Instructions :**

1. Attach bracket (R) securely to the back top of the furniture using short screw (R) provided.
2. Please make a hole on the wall for attach the bracket (R) to the back of unit.
3. Attach bracket (R) on the wall using long screw (R) as shown.  
Locate the other bracket (R) on the wall. Place furniture into position so both brackets (R) as shown.
4. Lace the end of the restrains strap through the larger hole in each bracket. Ensure the restrains strap with grids surface facing the inner loops. Bring both ends together and slide the flat end through the locking end and draw it through until all slack is removed.
5. Make sure that the strap is securely laced & locked.