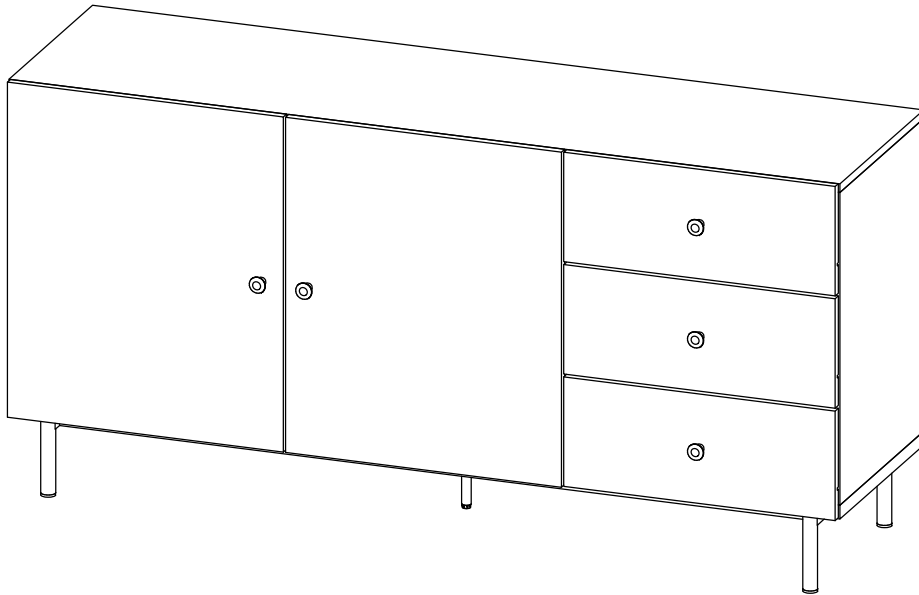


ASSEMBLY INSTRUCTIONS

EEI-6283

V1.15.01.23



Questions? Contact us!

609.256.9000 • cs@modway.com
www.modway.com

*modway

Let's get started!

***modway**



Read through all of the instructions before starting



Care instructions are listed in the last step of this manual



Approx. 60 minutes assembly time



Make sure you have all parts and components before discarding any packing materials



2 people recommended for assembly

Only use hand tools to assemble this item. Do not use power tools. Do not tighten bolts or screws completely until all hardware is lined up and inserted into the holes.

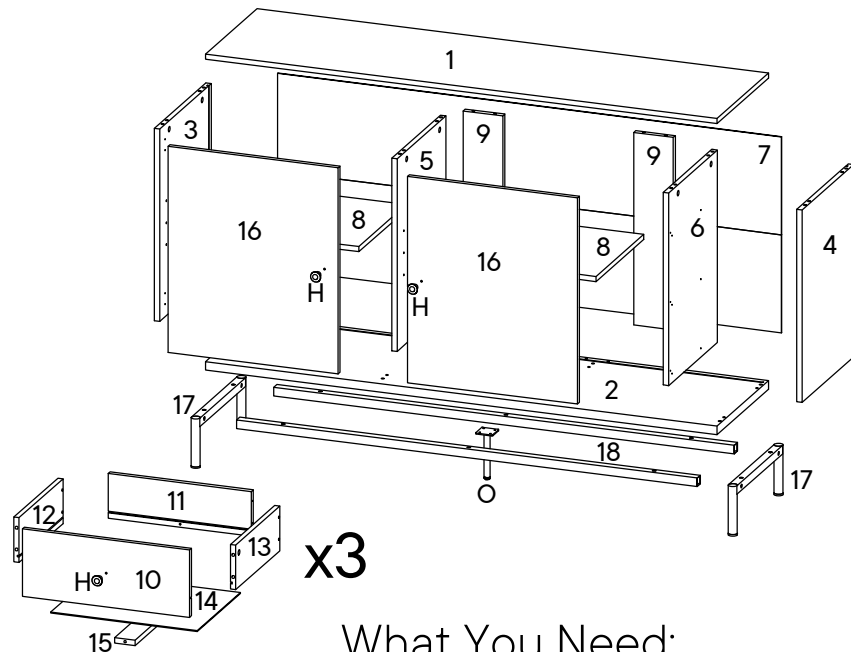
Do not over-tighten screws and bolts to avoid stripping the hardware or cracking the item.

Assemble your item on a flat, carpeted area, with plenty of space to work. This will prevent damage and scratches to your floors or the item while you're assembling the product.

Keep all components and packaging out of reach of children or animals to avoid risk of choking or suffocation.

Furniture components:

1	Top Panel	x1	10	Drawer Front	x3
2	Bottom Panel	x1	11	Drawer Back	x3
3	Side Panel - L	x1	12	Drawer Side - L	x3
4	Side Panel - R	x1	13	Drawer Side - R	x3
5	Center Panel - L	x1	14	Drawer Bottom	x3
6	Center Panel - R	x1	15	Drawer Support	x3
7	Back Panel	x1	16	Door Panel	x2
8	Shelf Panel	x2	17	Metal Leg	x2
9	Body Support	x2	18	Metal Leg Support	x2



Provided hardware:

A1		Cam Lock	x24	I1		Stud	x10
A2		Minifix Screw	x24	I2		Stud Screw	x10
A3		Plastic Cap	x12	J		JCBC Screw M6 x 35mm	x10
A4		Plastic Cap	x12	K		JCBC Screw M6 x 50mm	x4
B		Wood Dowel M8 x 30mm	x22	L		Metal Shelf Support	x8
C		CSK Cap Wood Screw M6 x 60mm	x12	M		Soft Closing 5/8 Hinges	x4
D		Allen Key M4	x1	N1		12" Drawer Slide - L/R	x6
E		C.B Screw M3.5 x 16mm	x70	N2		12" Drawer Slide - L/R	x6
F		C.B Screw M4 x 25mm	x5	O		Metal Leg	x1
G		C.B Screw M4 x 38mm	x12	P		Anti - Tipping Kit	x1
H		Handle 209 Knob	x5				

What You Need:

	Phillips Head Screwdriver
	Hammer

Wait!

Missing parts or hardware? Need assistance?
Contact us before returning your item. We're here to help!
609.256.9000 • cs@modway.com

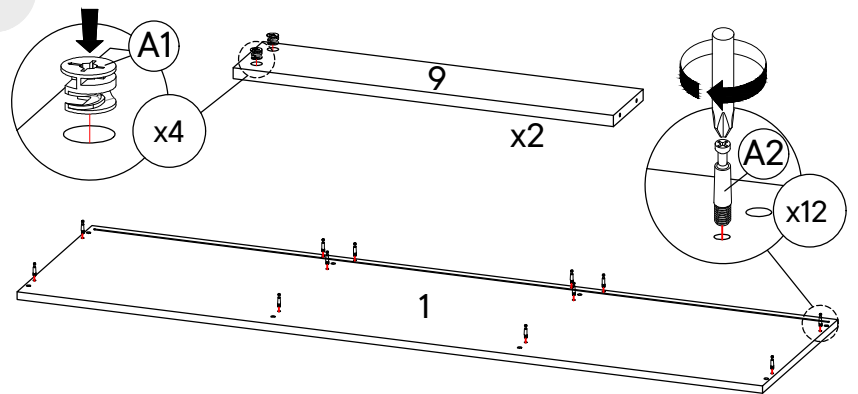
Step 1

HARDWARE

A1	Cam Lock	x4
A2	Minifix Screw	x12

COMPONENTS

1	Top Panel	x1
9	Body Support	x2



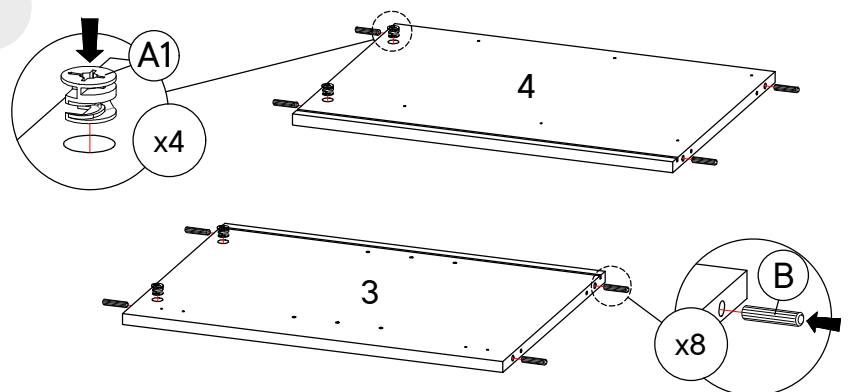
Step 2

HARDWARE

A1	Cam Lock	x4
B	Wood Dowel M8 x 30mm	x8

COMPONENTS

3	Side Panel - L	x1
4	Side Panel - R	x1



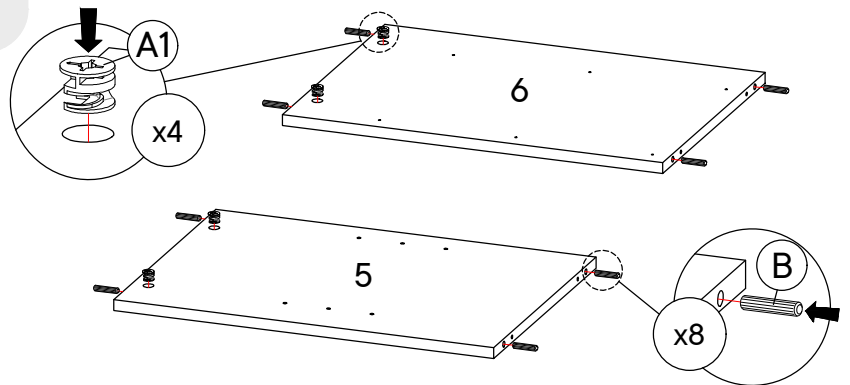
Step 3

HARDWARE

A1	Cam Lock	x4
B	Wood Dowel M8 x 30mm	x8

COMPONENTS

5	Center Panel - L	x1
6	Center Panel - R	x1



Step 4

HARDWARE

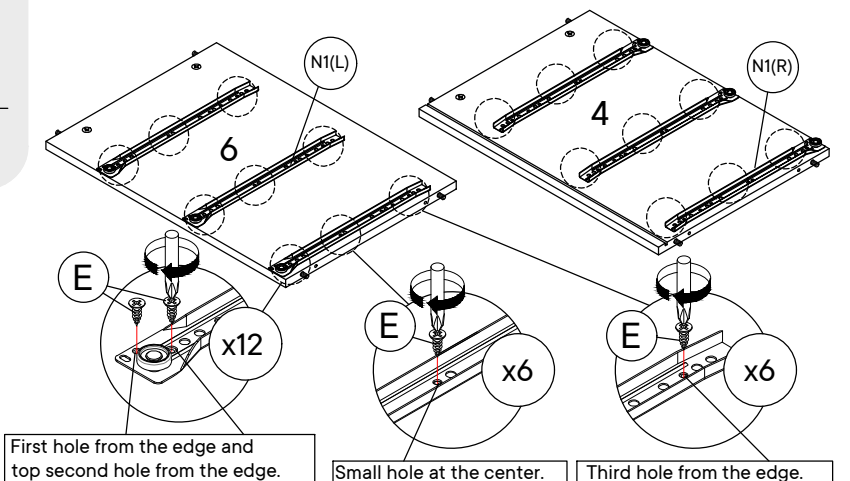
E	C.B Screw M3.5 x 16mm	x24
N1	12" Drawer Slide - L	x3
N1	12" Drawer Slide - R	x3

COMPONENTS

4	Side Panel - R	x1
6	Center Panel - R	x1

TOOLS

-	Screwdriver	x1
----------	-------------	----



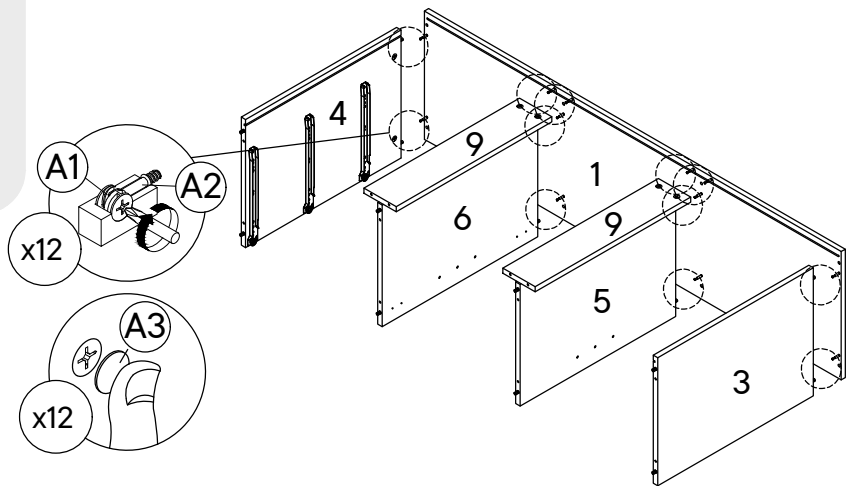
Step 5

HARDWARE

A3	Plastic Cap	x12
D	Allen Key M4	x1

COMPONENTS

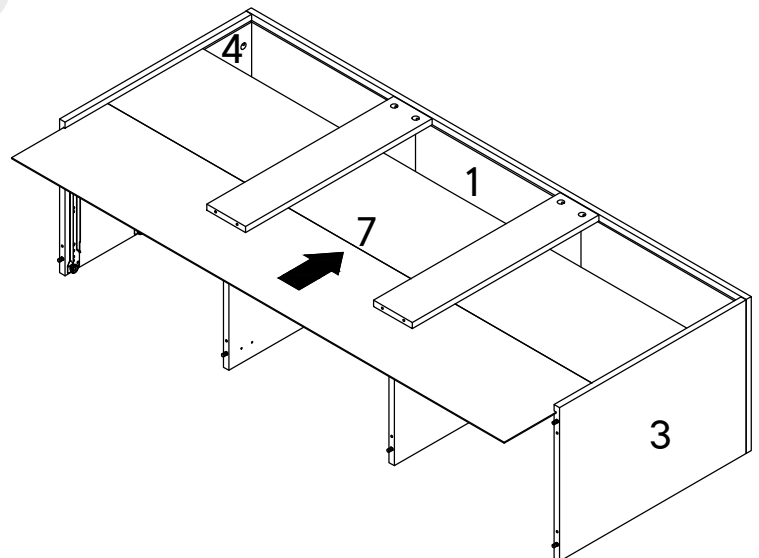
1	Top Panel	x1
3	Side Panel - L	x1
4	Side Panel - R	x1
5	Center Panel - L	x1
6	Center Panel - R	x1
9	Body Support	x2



Step 6

COMPONENTS

7	Back Panel	x1
----------	------------	----



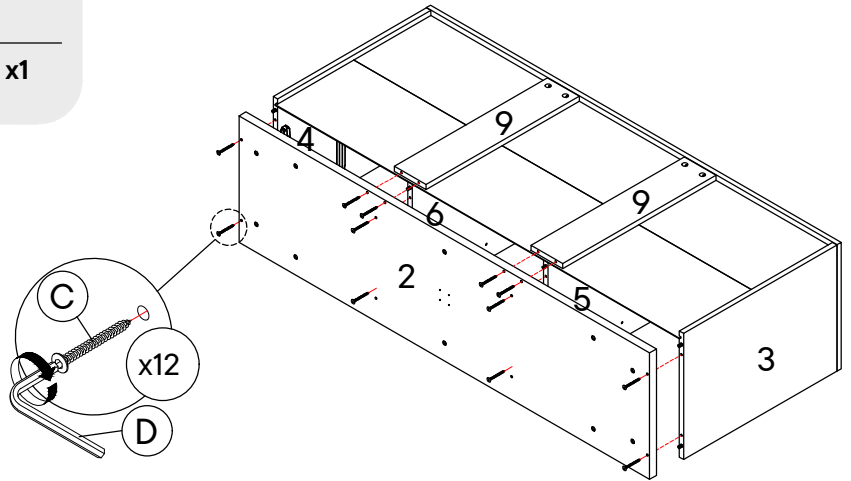
Step 7

HARDWARE

- C** CSK Cap Wood Screw M6 x 60mm x12
- D** Allen Key M4 x1

COMPONENTS

- 2** Bottom Panel x1



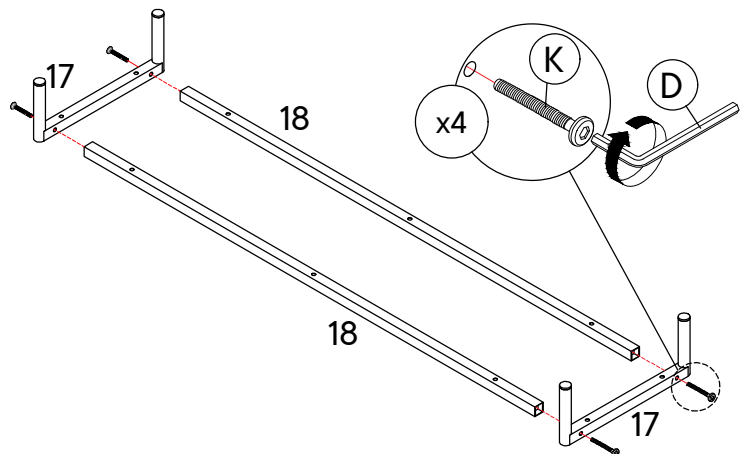
Step 8

HARDWARE

- D** Allen Key M4 x1
- K** JCBC Screw M6 x 50mm x4

COMPONENTS

- 17** Metal Leg x2
- 18** Metal Leg Support x2



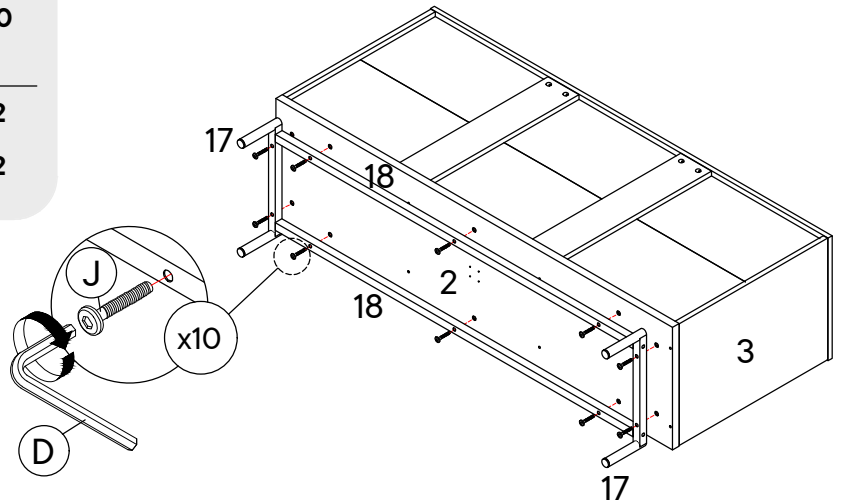
Step 9

HARDWARE

- | | | |
|----------|----------------------|-----|
| D | Allen Key M4 | x1 |
| J | JCBC Screw M6 x 35mm | x10 |

COMPONENTS

- | | | |
|-----------|-------------------|----|
| 17 | Metal Leg | x2 |
| 18 | Metal Leg Support | x2 |



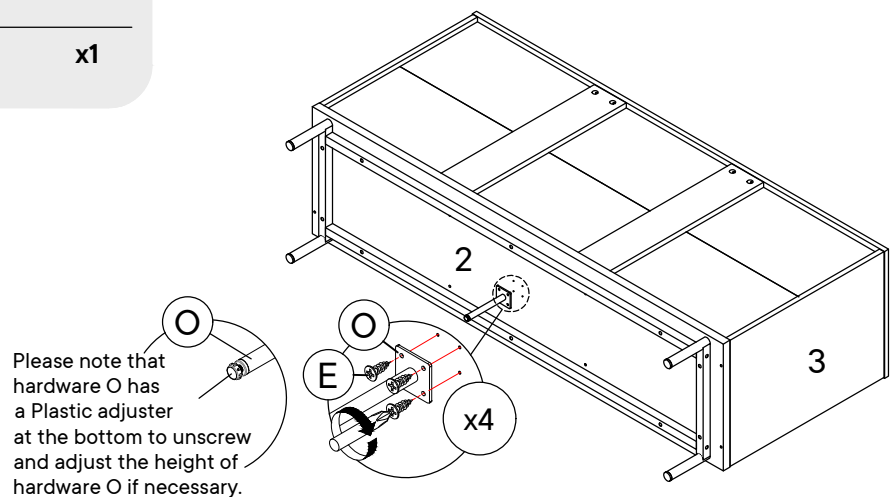
Step 10

HARDWARE

- | | | |
|----------|-----------------------|----|
| E | C.B Screw M3.5 x 16mm | x4 |
| O | Metal Leg | x1 |

TOOLS

- | | | |
|----------|-------------|----|
| - | Screwdriver | x1 |
|----------|-------------|----|



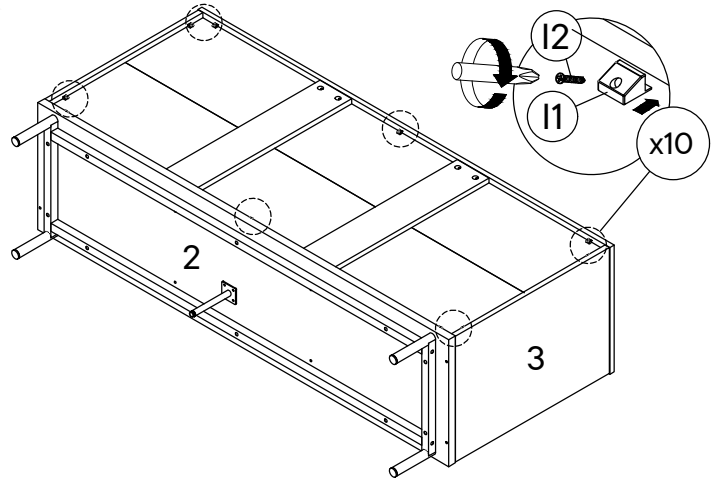
Step 11

HARDWARE

- 11 Stud x10
- 12 Stud Screw x10

TOOLS

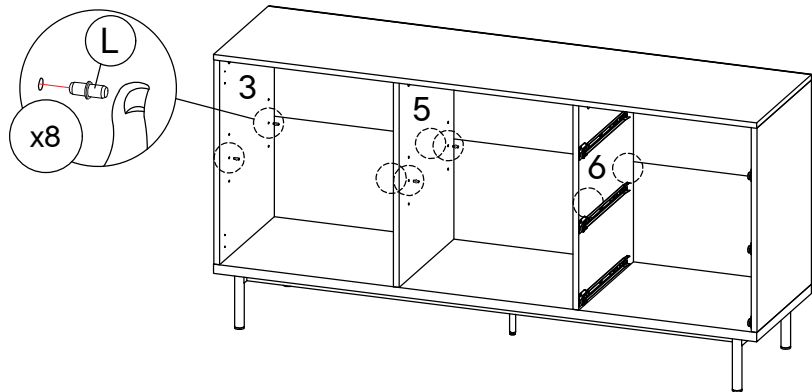
- Screwdriver x1



Step 12

HARDWARE

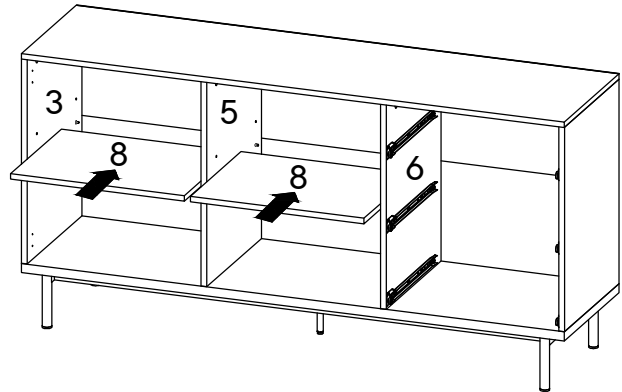
- L Metal Shelf Support x8



Step 13

COMPONENTS

- 8** Shelf Panel x2



Step 14

HARDWARE

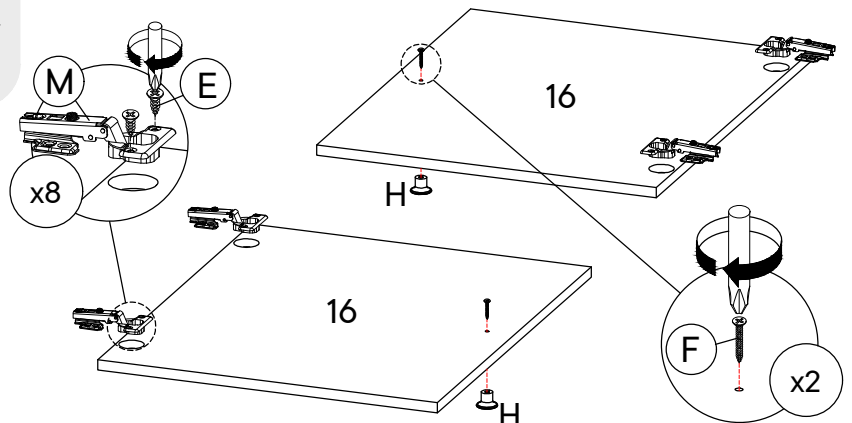
- E** C.B Screw M3.5 x 16mm x8
- F** C.B Screw M4 x 25mm x2
- H** Handle 209 Knob x2
- M** Soft Closing 5/8 Hinges x4

COMPONENTS

- 16** Door Panel x2

TOOLS

- Screwdriver x1



Step 15

HARDWARE

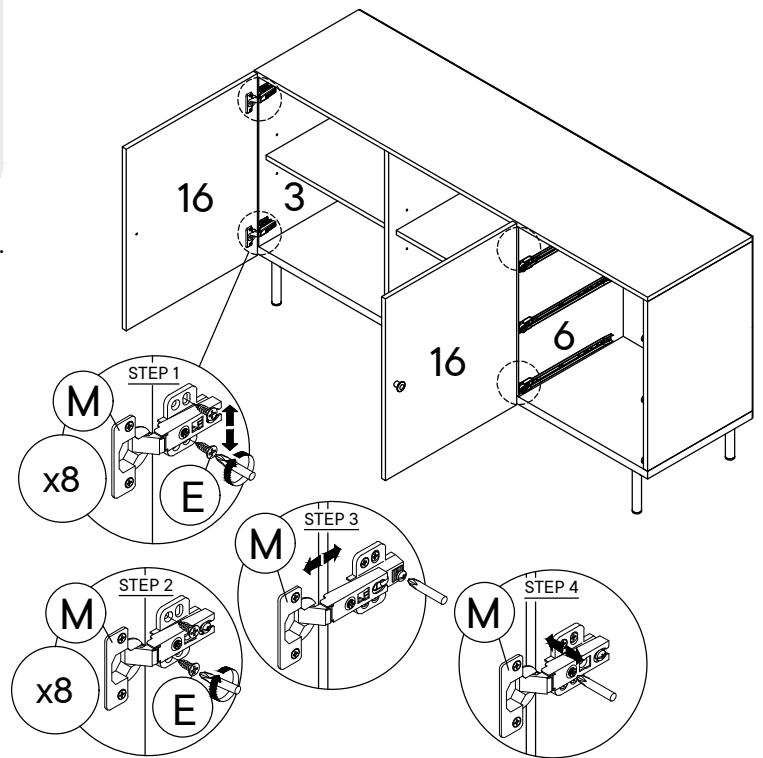
E C.B Screw M3.5 x 16mm x16

TOOLS

- Screwdriver x1

Fix hardware M into panel (3) and (6) by using hardware E. (Repeat 4 times for each hardware.)

Tighten or loosen the screw to adjust position of panel (16). (Do only when needed.)



Step 16

HARDWARE

A1 Cam Lock x12

A2 Minifix Screw x12

B Wood Dowel M8 x 30mm x6

COMPONENTS

10 Drawer Front x3

11 Drawer Back x3

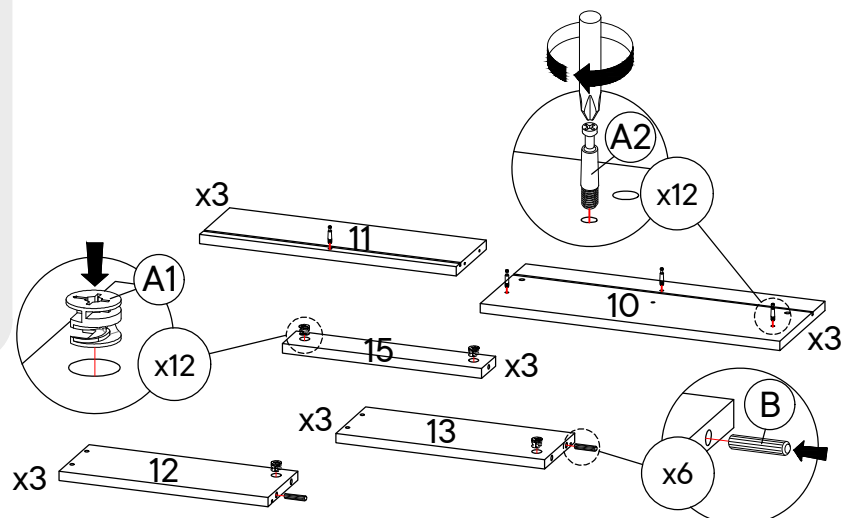
12 Drawer Side - L x3

13 Drawer Side - R x3

15 Drawer Support x3

TOOLS

- Screwdriver x1



Step 17

HARDWARE

G C.B Screw M4 x 38mm x12

COMPONENTS

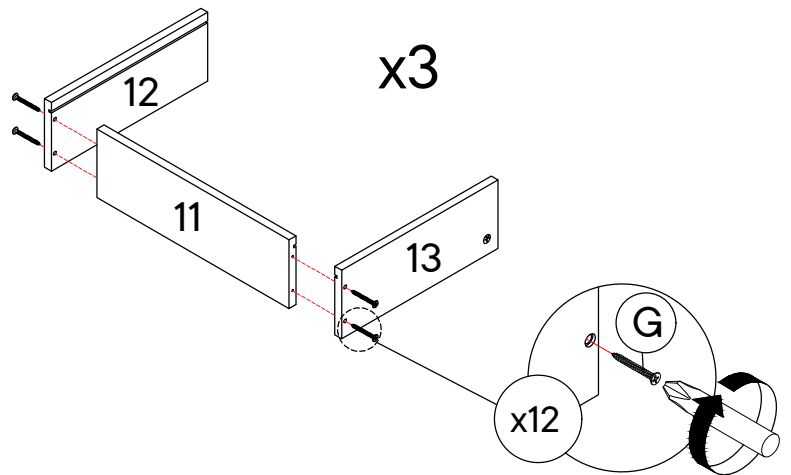
11 Drawer Back x3

12 Drawer Side - L x3

13 Drawer Side - R x3

TOOLS

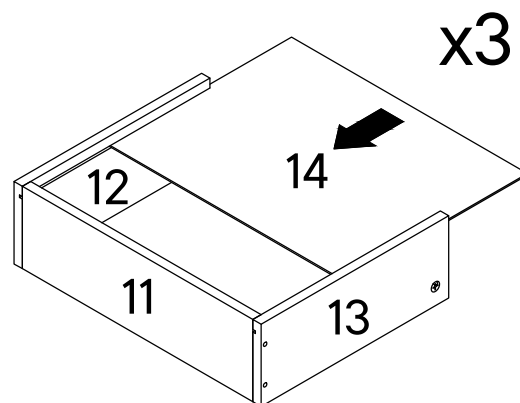
- Screwdriver x1



Step 18

COMPONENTS

14 Drawer Bottom x3



Step 19

HARDWARE

A4 Plastic Cap x12

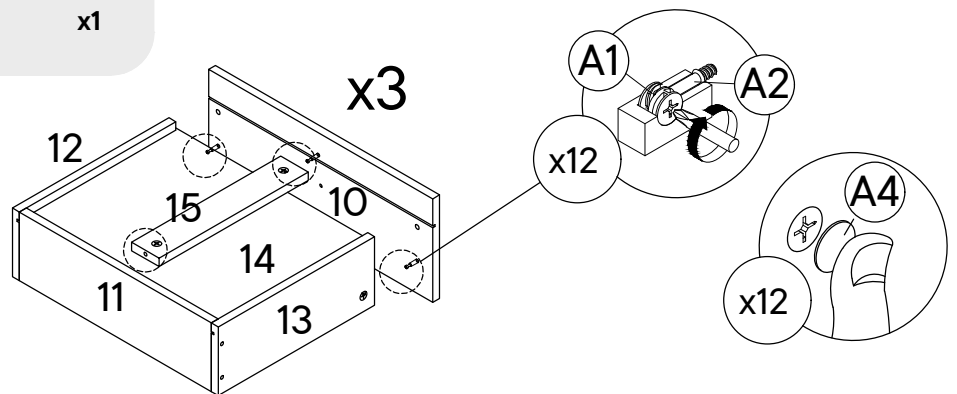
COMPONENTS

10 Drawer Front x3

15 Drawer Support x3

TOOLS

- Screwdriver x1



Step 20

HARDWARE

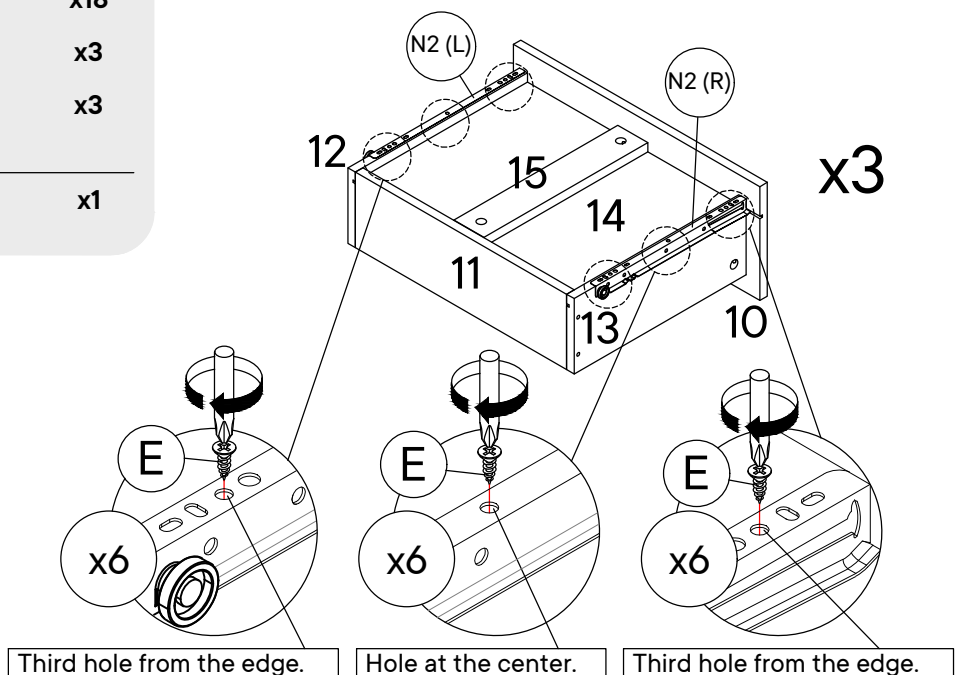
E C.B Screw M3.5 x 16mm x18

N2 12" Drawer Slide - L x3

N2 12" Drawer Slide - R x3

TOOLS

- Screwdriver x1



Step 21

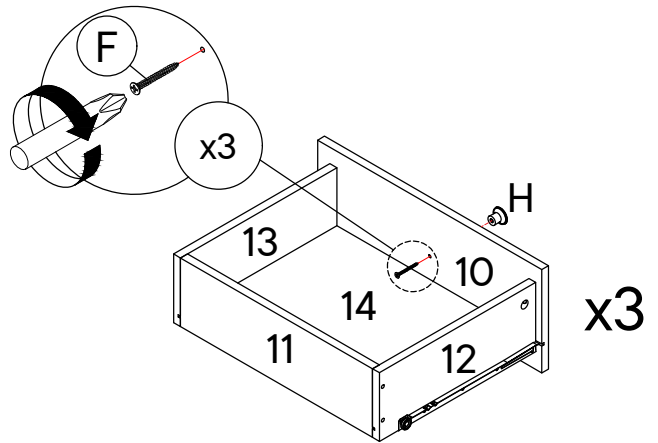
HARDWARE

F C.B Screw M4 x 25mm x3

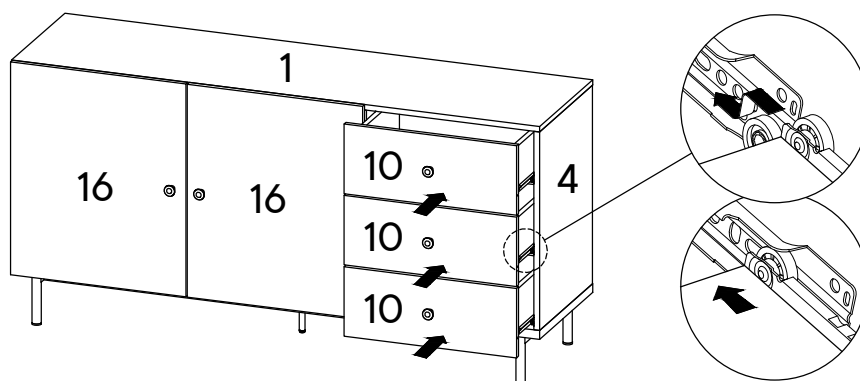
H Handle 209 Knob x3

TOOLS

- Screwdriver x1



Step 22



Put all the drawer in place along the drawer slides.

Great job!

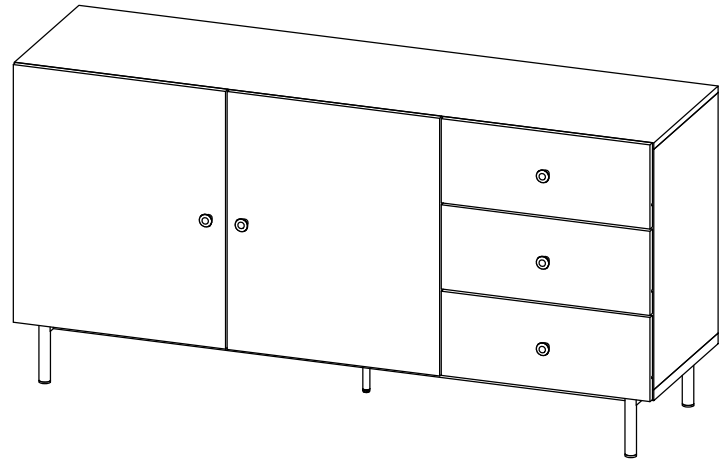
Your new cabinet is ready.

♥ CARING FOR YOUR ITEM

Depending on use, it may be necessary to tighten the hardware from time to time, so please save the tools that have been provided.

Not contract grade.

Clean using a non-abrasive cloth and a mild cleaner.



CONNECT WITH US!

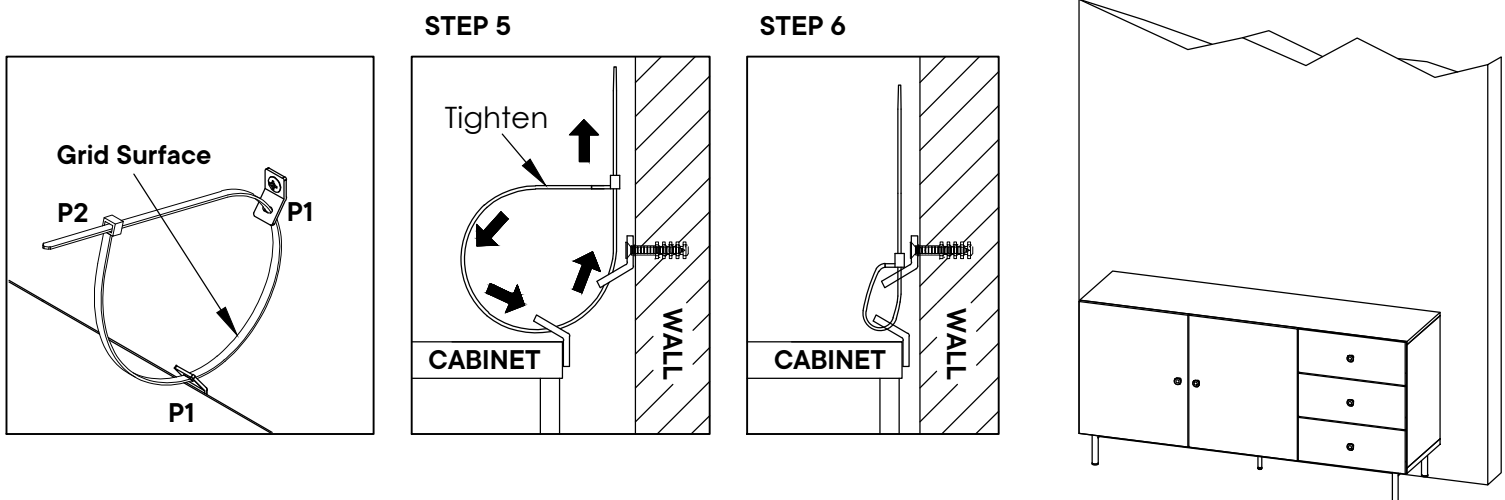
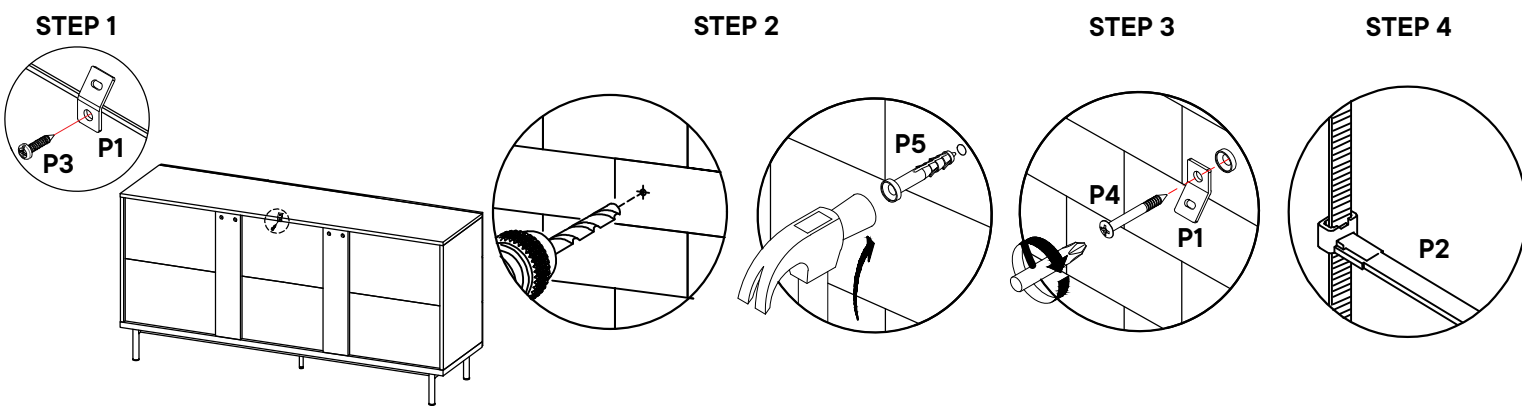
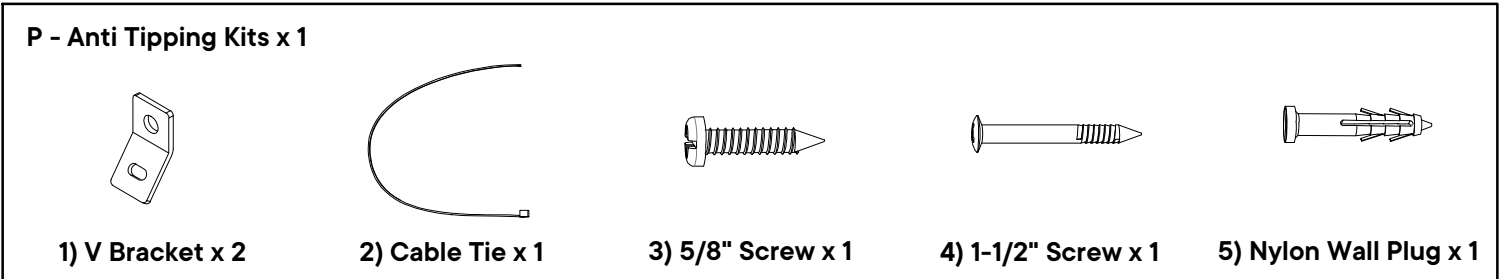
Tag us [@modway_furniture](#) and [#modway](#) for a chance to be featured.

TIPPING RESTRAINTS KIT INSTALLATION GUIDANCE

Different wall materials require unique wall fasteners.

The wall plugs (P5) are designed for fixing to concrete walls only.

Please consult your local hardware store to ensure you are using the correct hardware for your wall type



Installation Instruction:

1. Attach a bracket (P1) securely to the back top rail of the furniture using screw (P3) provided through the smaller hole.
2. Make a hole for wall plugs (P5) position on the wall above the bracket (P1) that secured to the back unit. Attach the wall plug (P5) into the hole by hammer. Fix the other bracket (P1) to the wall plug (P5) through the smaller hole using screw (P4).
3. Place the furniture unit into position so both mounting brackets are vertically in line.
4. Lace the end of cable tie (P2) through the larger hole in each mounting bracket, bring both ends together and slide the flat end through the locking end and draw it through until all slack is removed.
5. Make sure the strap is securely laced and locked.