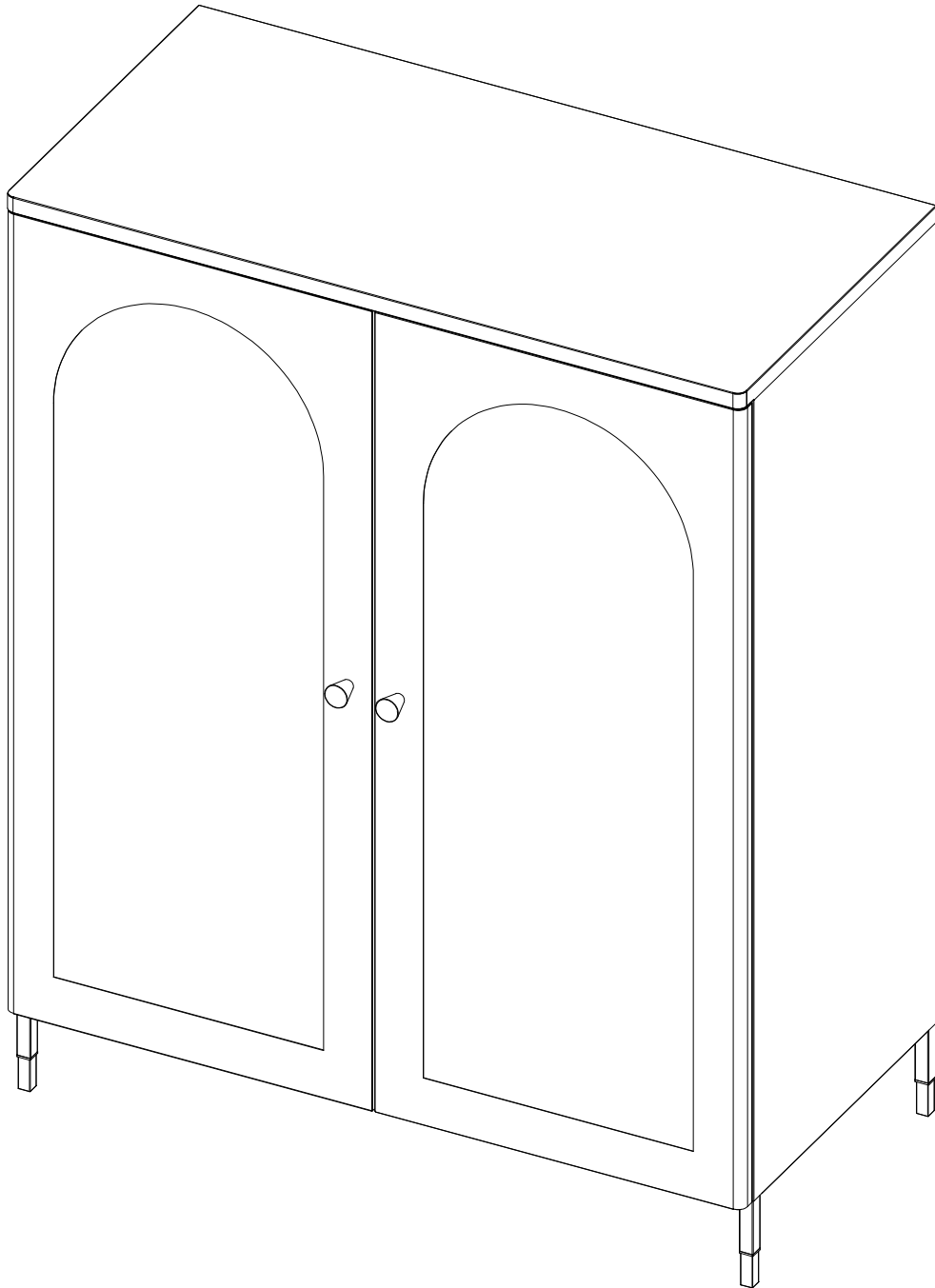


ASSEMBLY INSTRUCTIONS

EEI-6221

V1.30.11.22



Questions? Contact us!

609.256.9000 • cs@modway.com
www.modway.com

***modway**

Let's get started!

*modway



Read through all of the instructions before starting



Care instructions are listed in the last step of this manual



Approx. 30 minutes assembly time



Make sure you have all parts and components before discarding any packing materials



2 people recommended for assembly

Only use hand tools to assemble this item. Do not use power tools. Do not tighten bolts or screws completely until all hardware is lined up and inserted into the holes.

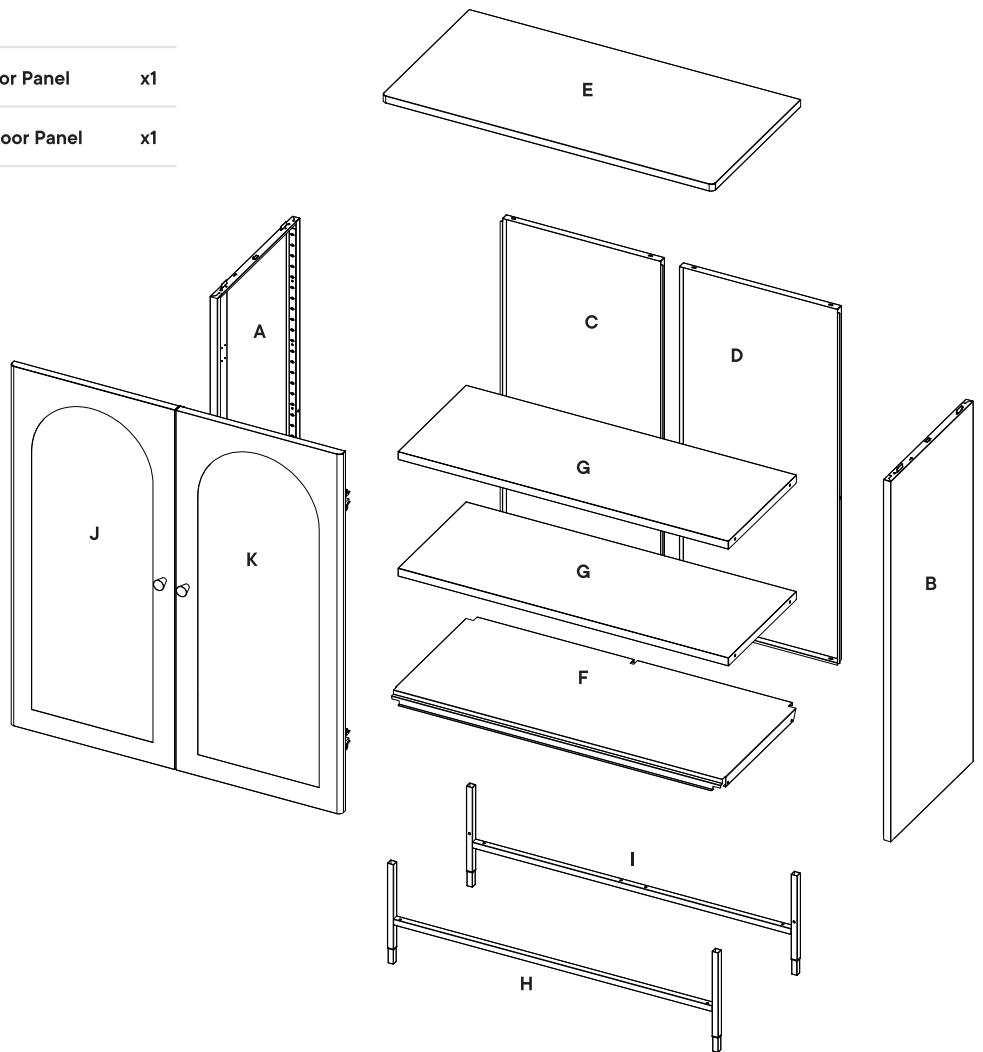
Do not over-tighten screws and bolts to avoid stripping the hardware or cracking the item.

Assemble your item on a flat, carpeted area, with plenty of space to work. This will prevent damage and scratches to your floors or the item while you're assembling the product.

Keep all components and packaging out of reach of children or animals to avoid risk of choking or suffocation.

Furniture components:

A	Left Panel	x1	J	Left Door Panel	x1
B	Right Panel	x1	K	Right Door Panel	x1
C	Back Left Panel	x1			
D	Back Right Panel	x1			
E	Top Panel	x1			
F	Bottom Panel	x1			
G	Shelf	x2			
H	Front Leg	x1			
I	Back Leg	x1			



Provided hardware:

O	Door Hinge Set	x4
P	Plastic Cap	x15
Q	Pan Head Screw M4 x 25mm	x2
S	Foot Protectors	x4
T	Door Handle	x2
U	Shelf Holder	x8
V	Shelf Stopper	x8
W	Adjustable Foot Pads	x4
X	Magnet Bar Set	x4

Y	Glove	x1
Z	Anti Tipping Kits	x1

What you need:

	Phillips Head Screwdriver Not Included
	Flat Head Screwdriver Not Included

Wait!

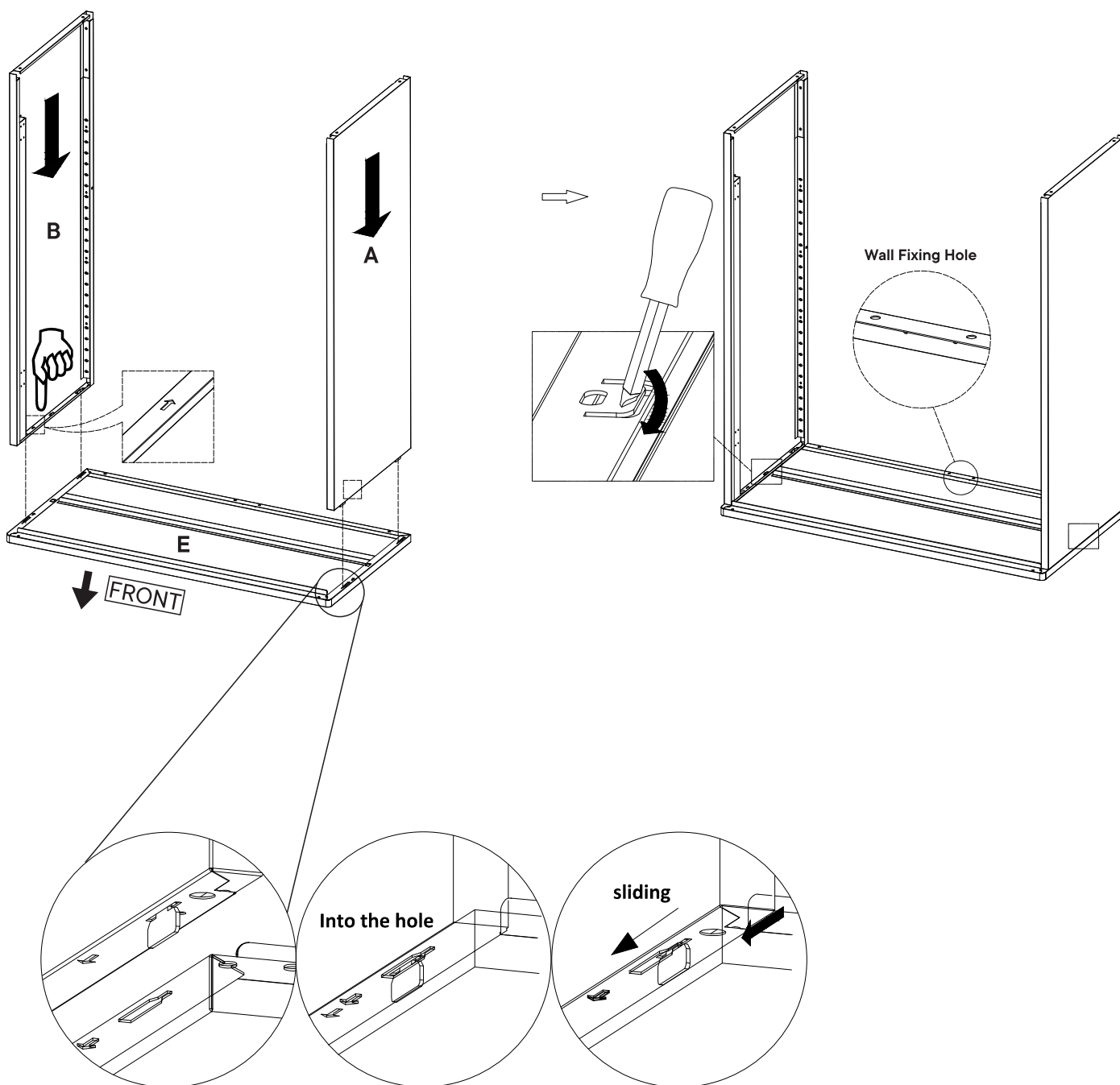
Missing parts or hardware? Need assistance?
Contact us before returning your item. We're here to help!
609.256.9000 • cs@modway.com

Step 1

COMPONENTS

- | | | |
|----------|-------------|----|
| A | Left Panel | x1 |
| B | Right Panel | x1 |
| E | Top Panel | x1 |

Notes: Make sure the arrow direction for the Top Panel and Left/Right Panel is the same, then can fasten. If wrongly assembled, it won't be easy to disassembly.



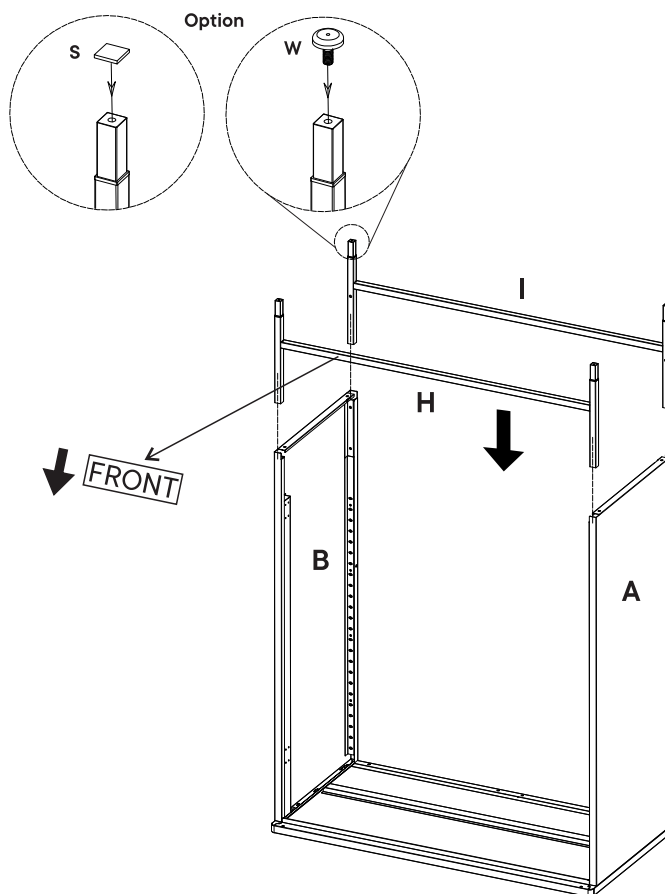
Step 2

COMPONENTS

- A** Left Panel x1
- B** Right Panel x1
- H** Front Leg x1
- I** Back Leg x1

HARDWARE

- S** Foot Protectors x4
- W** Adjustable Foot Pads x4



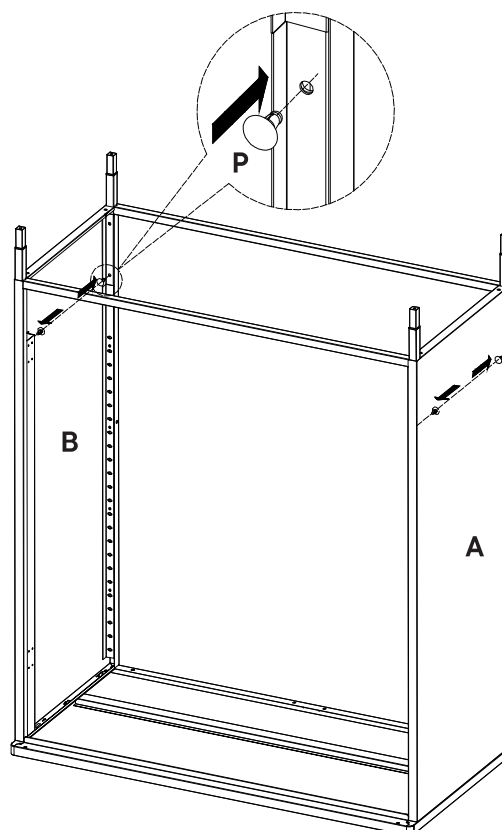
Step 3

COMPONENTS

- A** Left Panel x1
- B** Right Panel x1

HARDWARE

- P** Plastic Cap x4



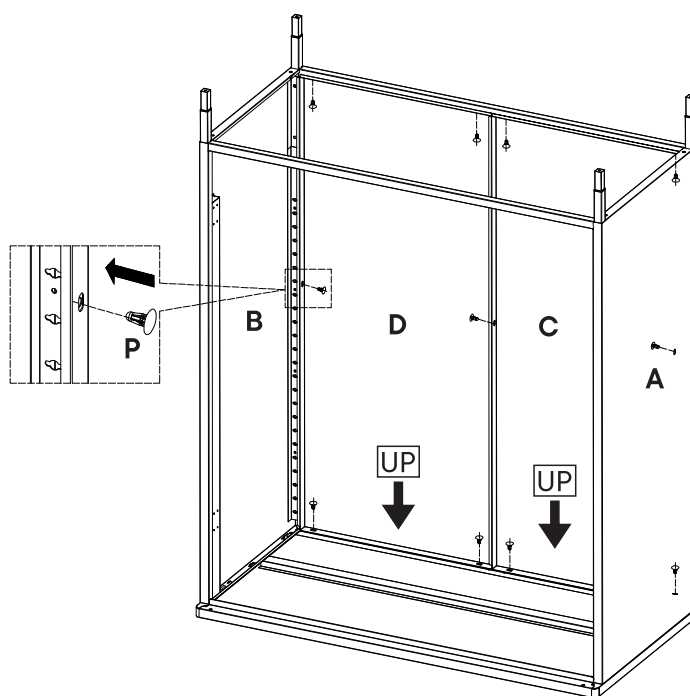
Step 4

COMPONENTS

- A** Left Panel x1
- B** Right Panel x1
- C** Back Left Panel x1
- D** Back Right Panel x1

HARDWARE

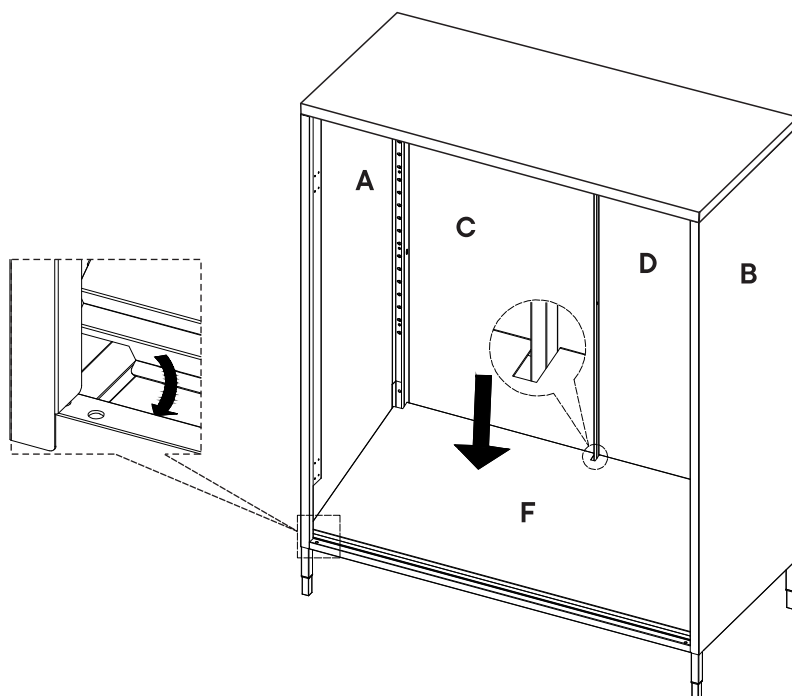
- P** Plastic Cap x11



Step 5

COMPONENTS

- A** Left Panel x1
- B** Right Panel x1
- C** Back Left Panel x1
- D** Back Right Panel x1
- F** Bottom Panel x1



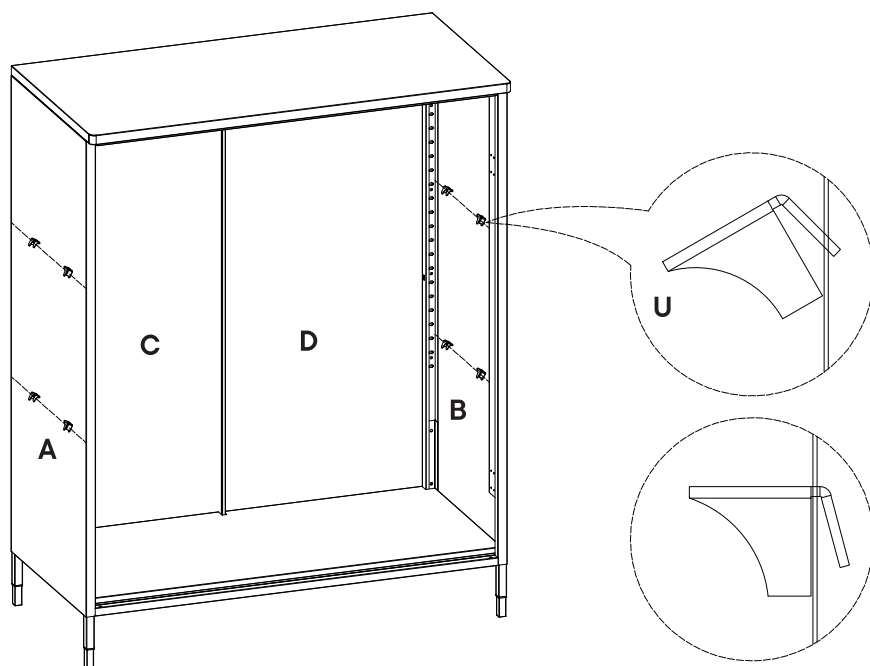
Step 6

COMPONENTS

A	Left Panel	x1
B	Right Panel	x1
C	Back Left Panel	x1
D	Back Right Panel	x1

HARDWARE

U	Shelf Holder	x8
----------	--------------	----



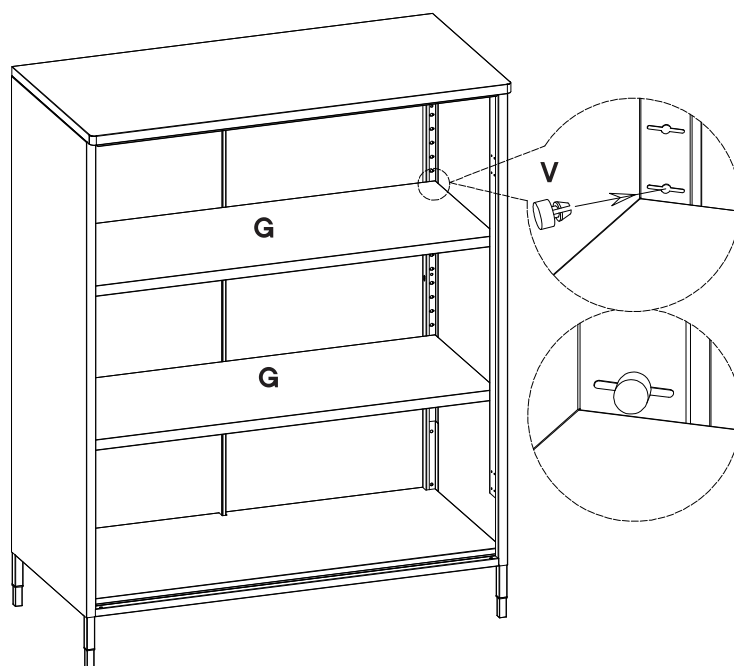
Step 7

COMPONENTS

G	Shelf	x2
----------	-------	----

HARDWARE

V	Shelf Stopper	x8
----------	---------------	----



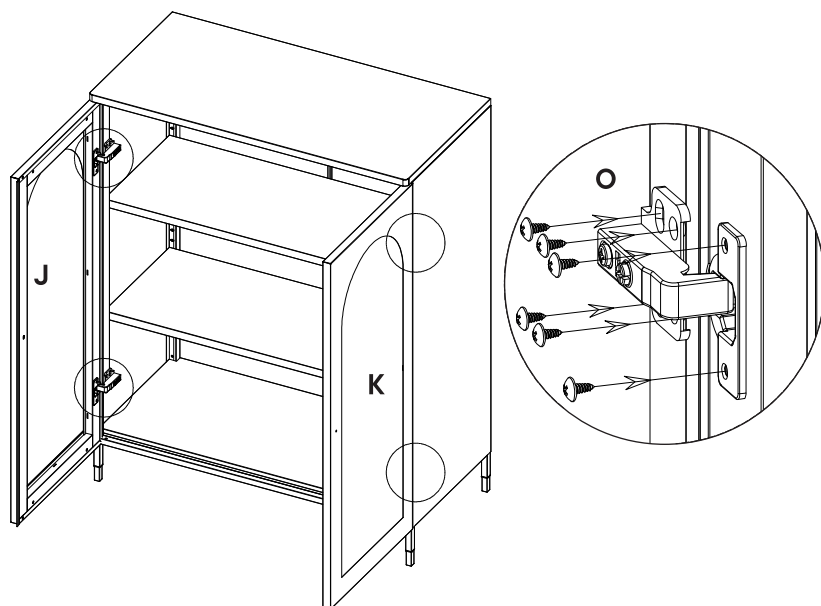
Step 8

COMPONENTS

- J** Left Door Panel x1
- K** Right Door Panel x1

HARDWARE

- O** Door Hinge Set x4



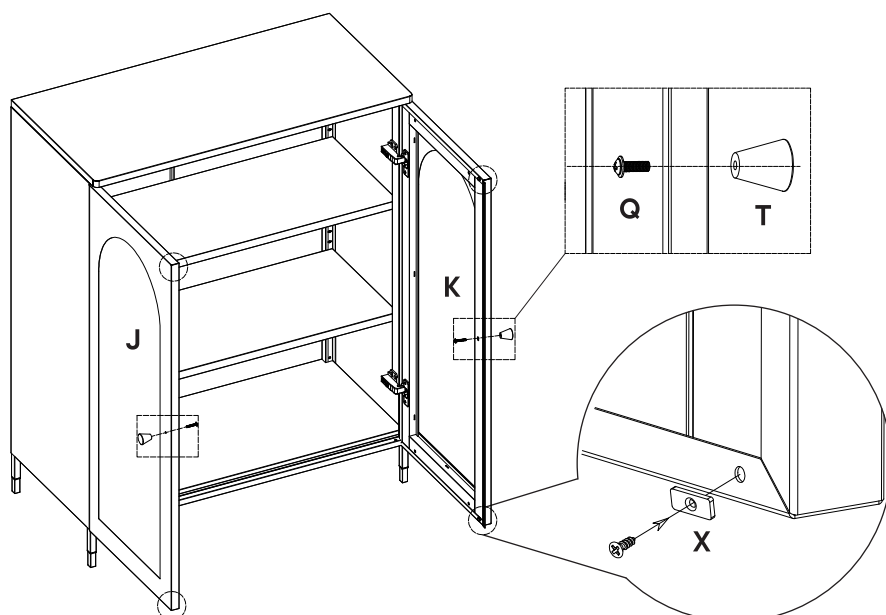
Step 9

COMPONENTS

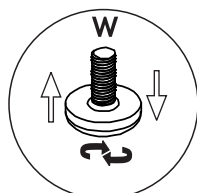
- J** Left Door Panel x1
- K** Right Door Panel x1

HARDWARE

- Q** Pan Head Screw M4 x 25mm x2
- T** Door Handle x2
- X** Magnet Bar Set x4
- W** Adjustable Foot Pads x4



Notes: If there is a gap in the door, it may be caused by an uneven floor, which can be adjusted by adjustable foot pads (W).



Great job!

Your cabinet is complete.

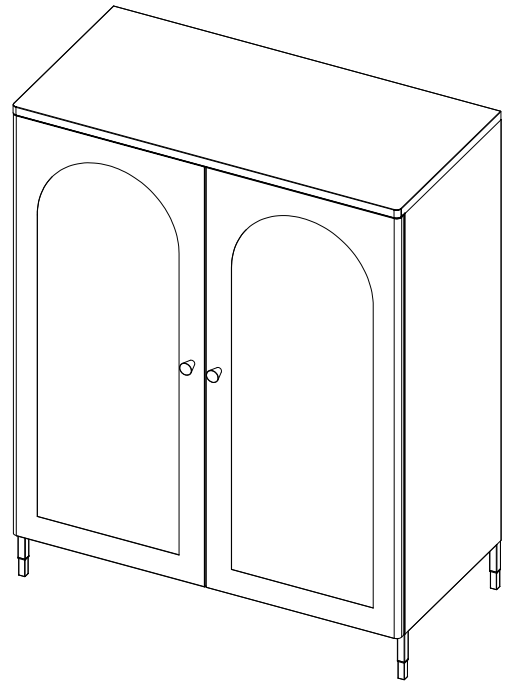
♥ CARING FOR YOUR ITEM

Indoor use only.

Not contract grade.

Clean using a non-abrasive cloth and a mild cleaner.

Never use harsh chemicals, as they could damage the finish or integrity of the item.



CONNECT WITH US!   

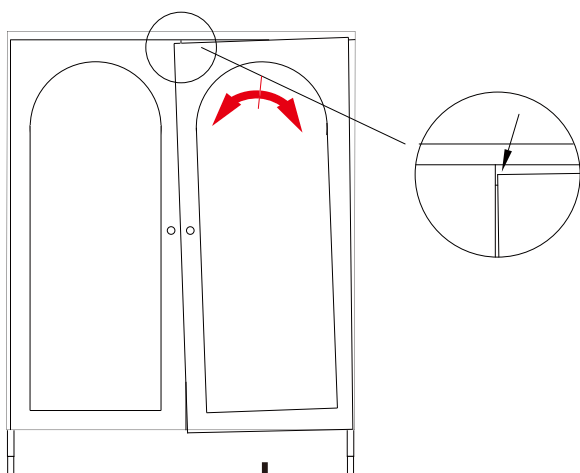
Tag us @modway_furniture and #modway for a chance to be featured.

Guide to hinges adjustment facilities

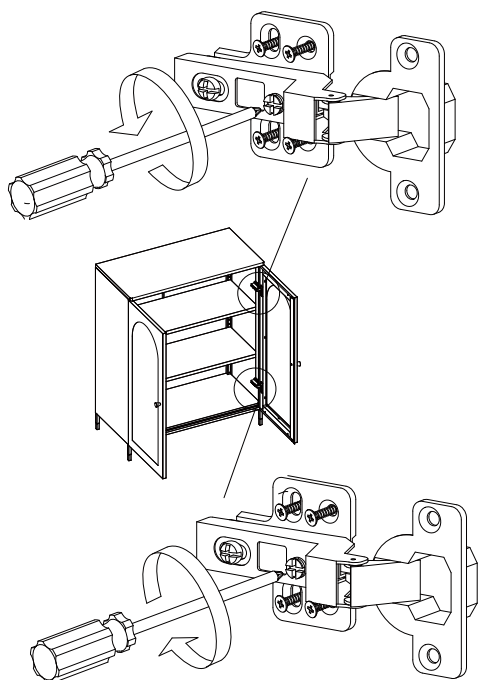
Warning : To ensure all hinges continue to work smoothly, pls check them regularly and adjust them necessary.

Question 1

How to adjust the two door are not aligned and lower with screw adjustment?



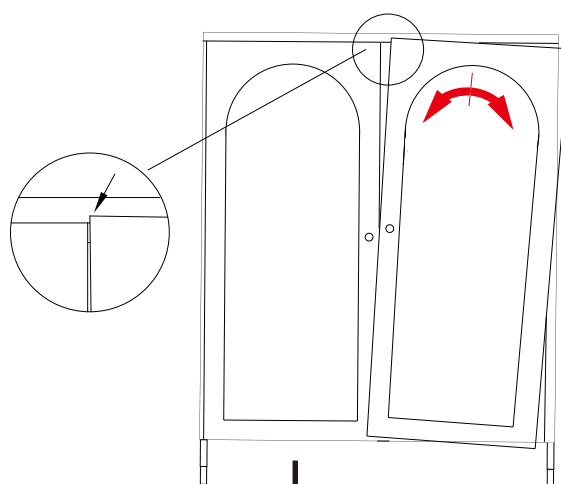
Turn left middle bolt adjuster properly until door is balanced



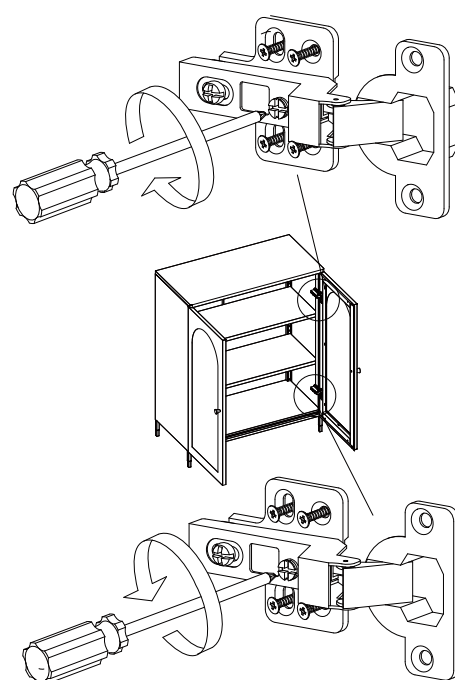
Turn right middle bolt adjuster properly until door is balanced

Question 2

How to adjust the two door are not aligned and higher with screw adjustment?



Turn right middle bolt adjuster properly until door is balanced



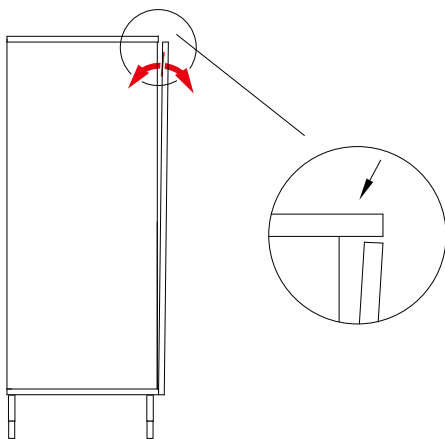
Turn left middle bolt adjuster properly until door is balanced

Guide to hinges adjustment facilities

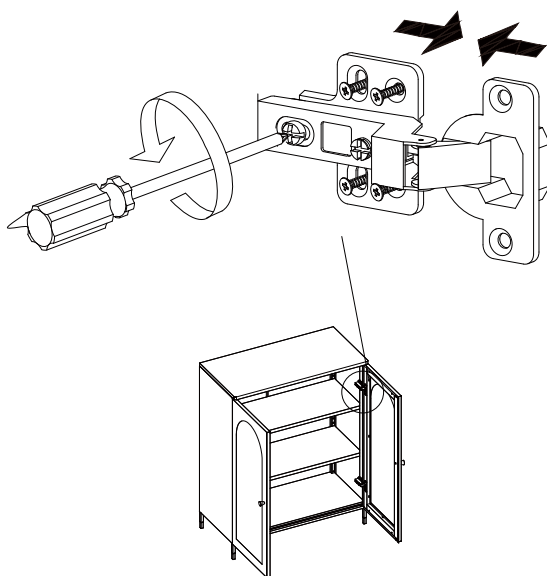
Warning : To ensure all hinges continue to work smoothly, pls check them regularly and adjust them necessary.

Question 3

How to adjust the door gap at side with screw adjustment?

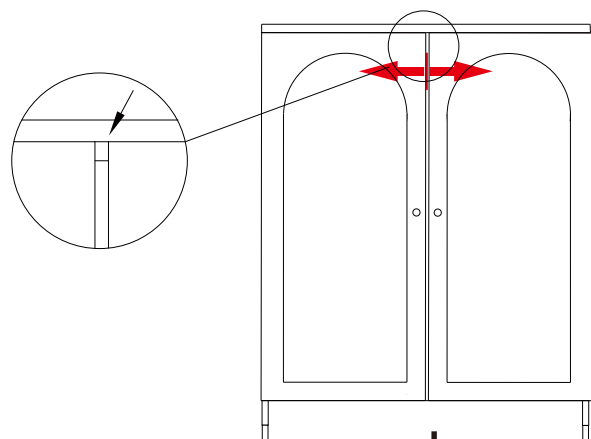


Turn left the adjuster properly until door is balanced

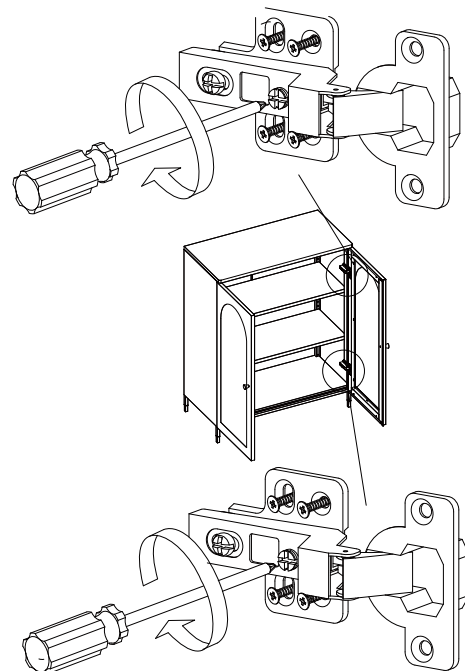


Question 4

How to adjust the door gap at front with screw adjustment?



Turn right middle bolt adjuster properly until door is balanced



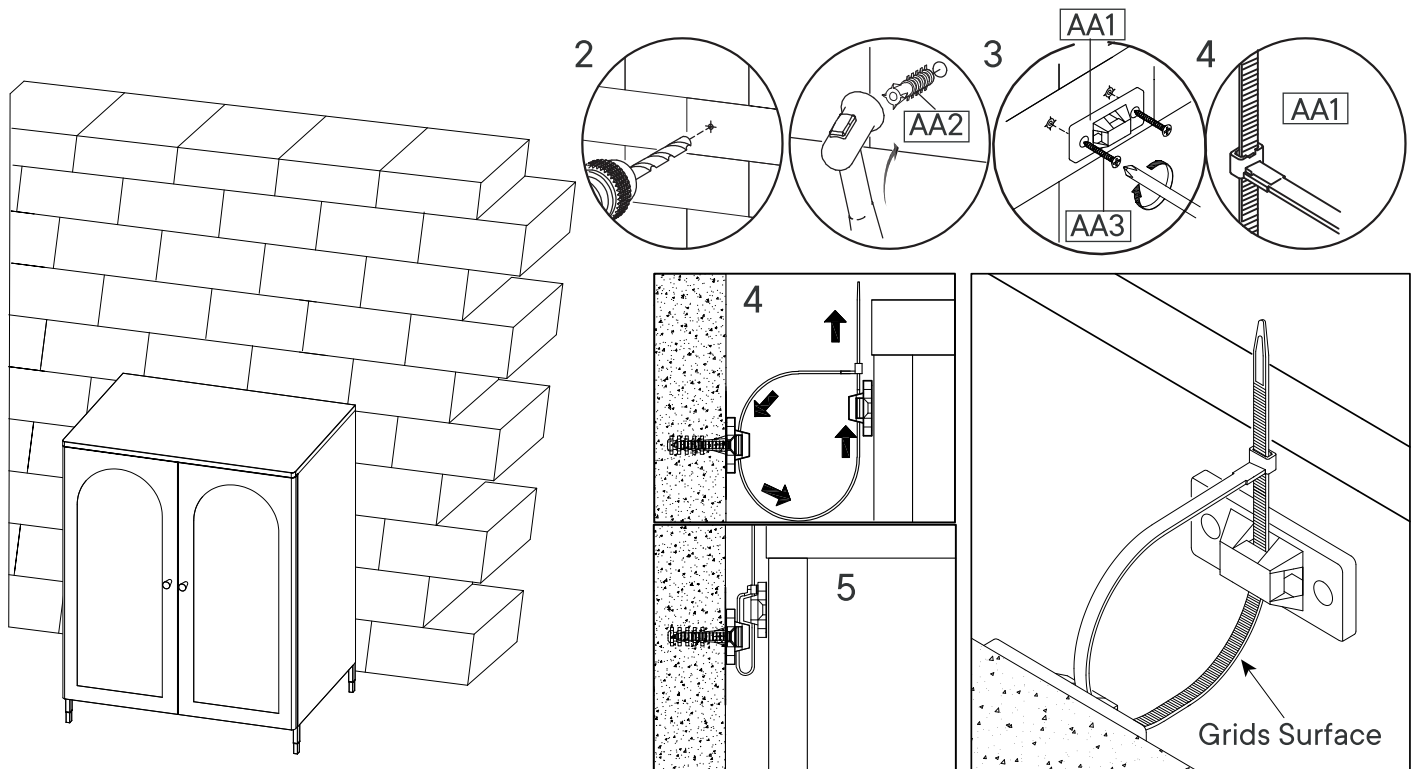
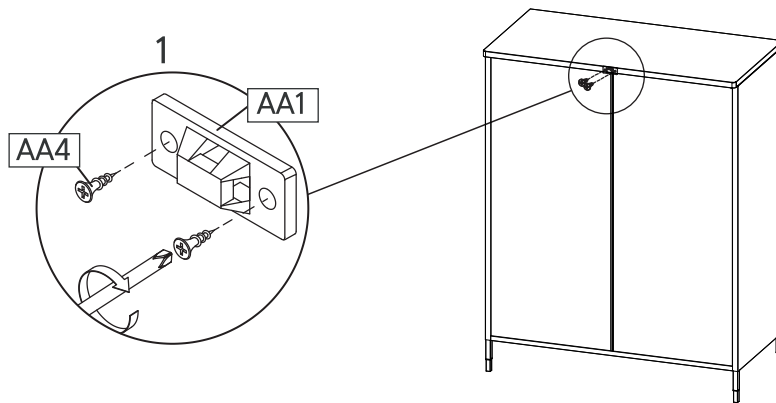
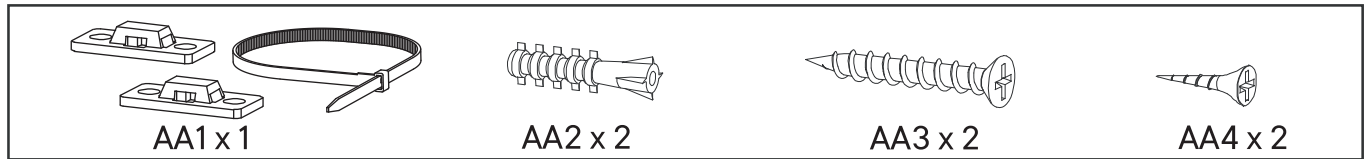
Turn right middle bolt adjuster properly until door is balanced

TIPPING RESTRAINTS KIT (Z) INSTALLATION GUIDANCE

Different wall materials require unique wall fasteners.

The wall plugs (AA2) and screws (AA3) are designed for fixing to concrete walls only.

Please consult your local hardware store to ensure you are using the correct hardware for you wall type.



Installation Instructions :

1. Attach bracket (AA1) securely to the back top of the furniture using screw (AA4) provided.
2. Please make a hole for wall plugs position on the wall and minimum 15 mm below bracket secured to the back of unit attach the wall plugs (AA2).
3. Lace the end of the restraints strap through the larger hole in each bracket. Ensure the restraints strap with grids surface facing the inner loops. Bring both ends together and slide the at end through the locking end and draw it through until all slack is removed.
4. Make sure that the strap is securely laced & locked.