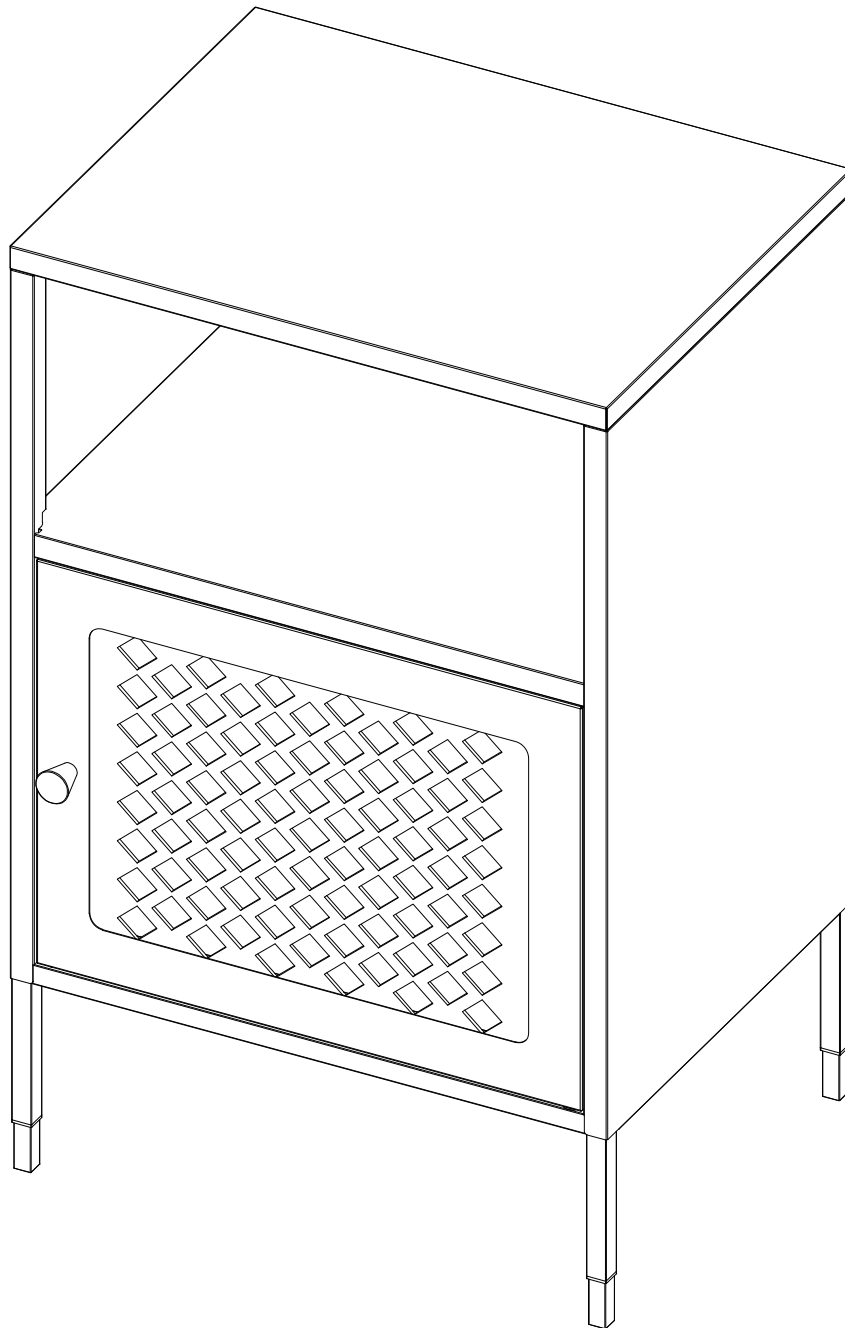


ASSEMBLY INSTRUCTIONS

EEI-6212

V1.30.11.22



Questions? Contact us!

609.256.9000 • cs@modway.com
www.modway.com

*modway

Let's get started!

*modway



Read through all of the instructions before starting



Care instructions are listed in the last step of this manual



Approx. 30 minutes assembly time



Make sure you have all parts and components before discarding any packing materials



2 people recommended for assembly

Only use hand tools to assemble this item. Do not use power tools. Do not tighten bolts or screws completely until all hardware is lined up and inserted into the holes.

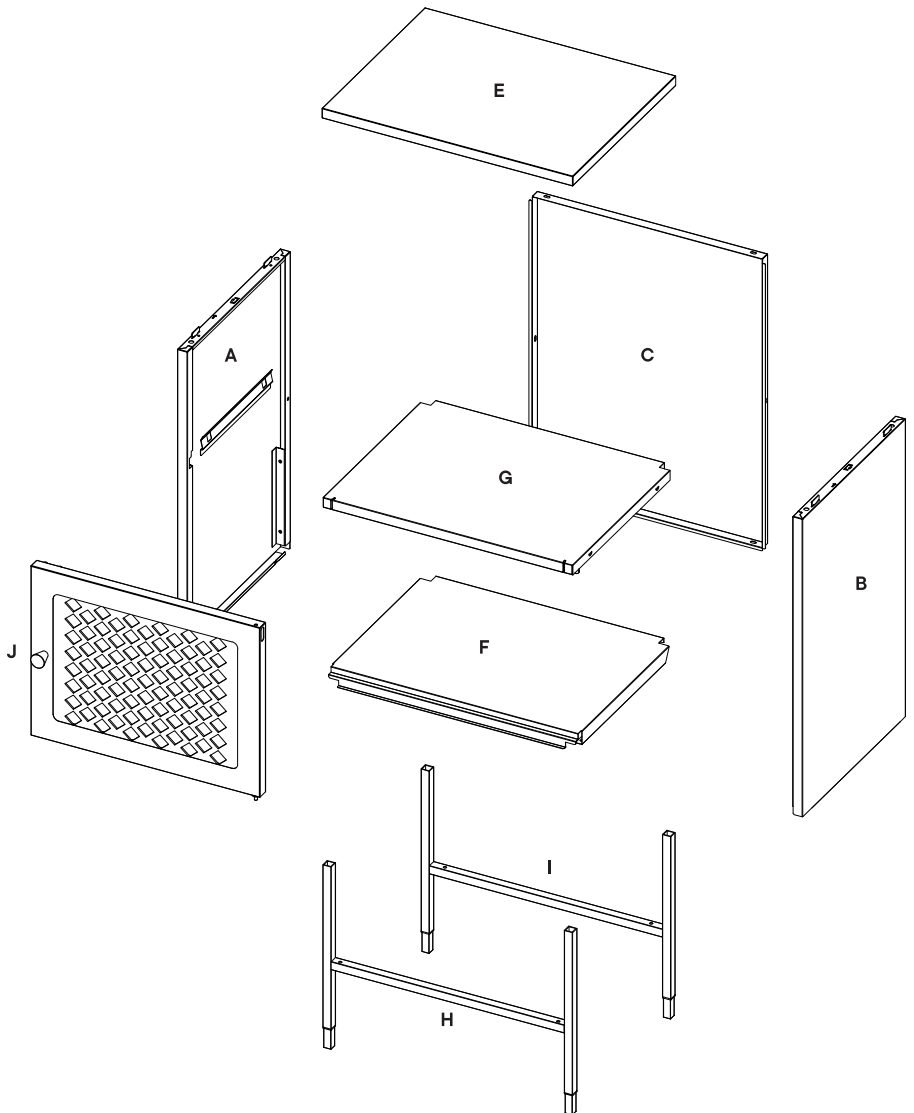
Do not over-tighten screws and bolts to avoid stripping the hardware or cracking the item.

Assemble your item on a flat, carpeted area, with plenty of space to work. This will prevent damage and scratches to your floors or the item while you're assembling the product.

Keep all components and packaging out of reach of children or animals to avoid risk of choking or suffocation.

Furniture components:

A	Left Panel	x1
B	Right Panel	x1
C	Back Panel	x1
E	Top Panel	x1
F	Bottom Panel	x1
G	Shelf	x1
H	Front Leg	x1
I	Back Leg	x1
J	Door Panel	x1



Provided hardware:

O		Bottom Hinge	x1
P		Plastic Cap	x10
Q		Pan Head Screw M4 x 25mm	x1
R		Ø10-Ø5.2	x1
S		Foot Protectors	x4
T		Door Handle	x1
W		Adjustable Foot Pads	x4
X		Magnet Bar Set	x2
Y		Glove	x1

Z		Anti Tipping Kits	x1
---	--	-------------------	----

What you need:

	Phillips Head Screwdriver Not Included
	Flat Head Screwdriver Not Included

Wait!

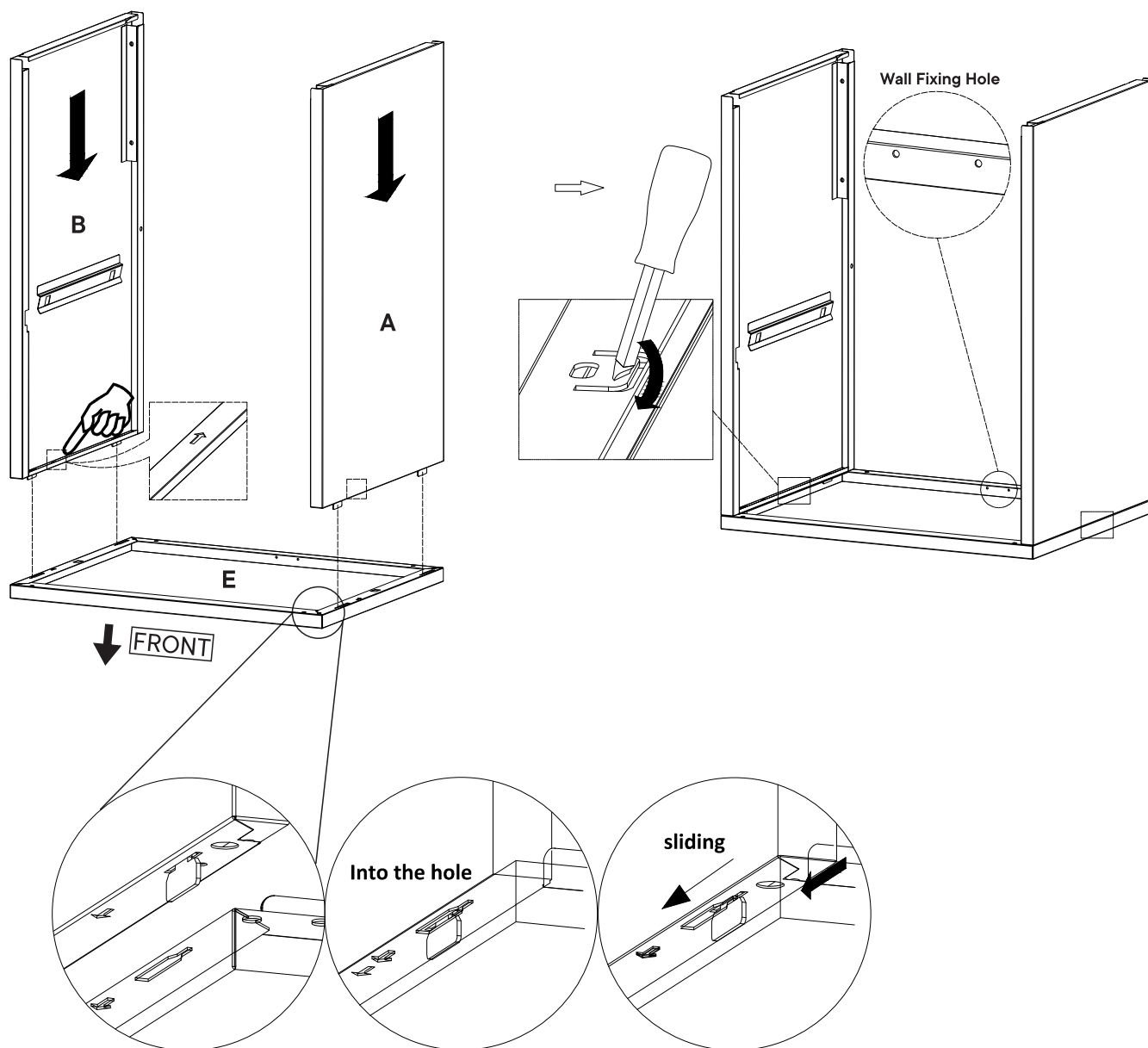
Missing parts or hardware? Need assistance?
Contact us before returning your item. We're here to help!
609.256.9000 • cs@modway.com

Step 1

COMPONENTS

- A** Left Panel x1
- B** Right Panel x1
- E** Top Panel x1

Notes: Make sure the arrow direction for the Top Panel and Left/Right Panel is the same, then can fasten. If wrongly assembled, it won't be easy to disassembly.



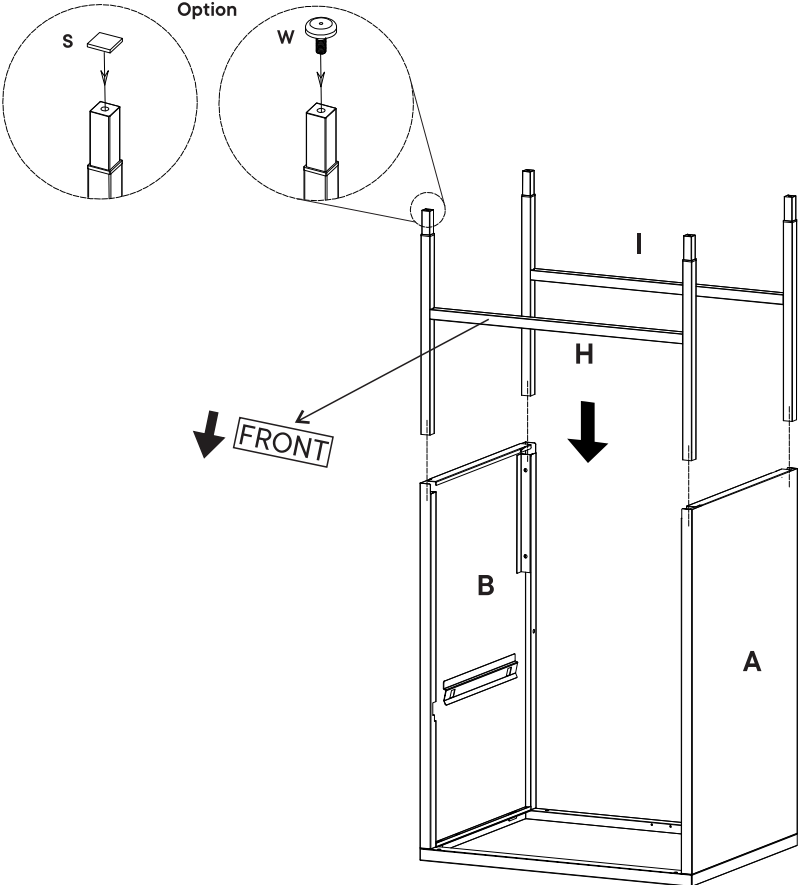
Step 2

COMPONENTS

- A** Left Panel x1
- B** Right Panel x1
- H** Front Leg x1
- I** Back Leg x1

HARDWARE

- S** Foot Protectors x4
- W** Adjustable Foot Pads x4



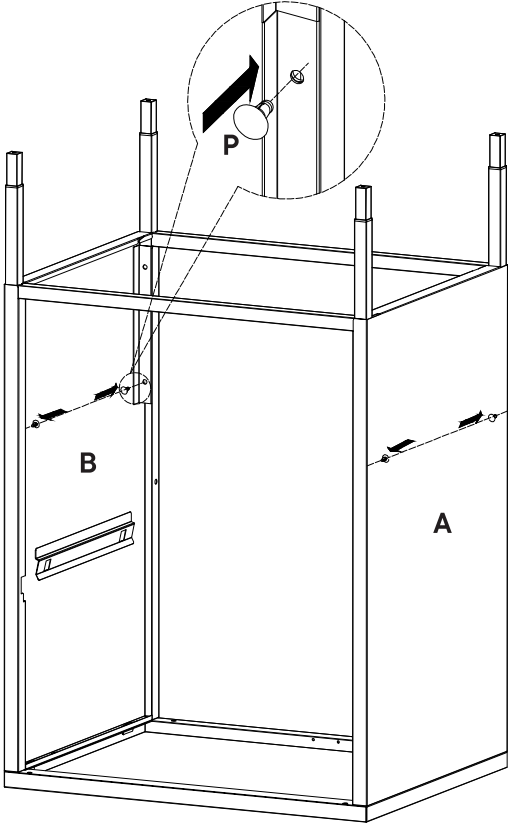
Step 3

COMPONENTS

- A** Left Panel x1
- B** Right Panel x1

HARDWARE

- P** Plastic Cap x4



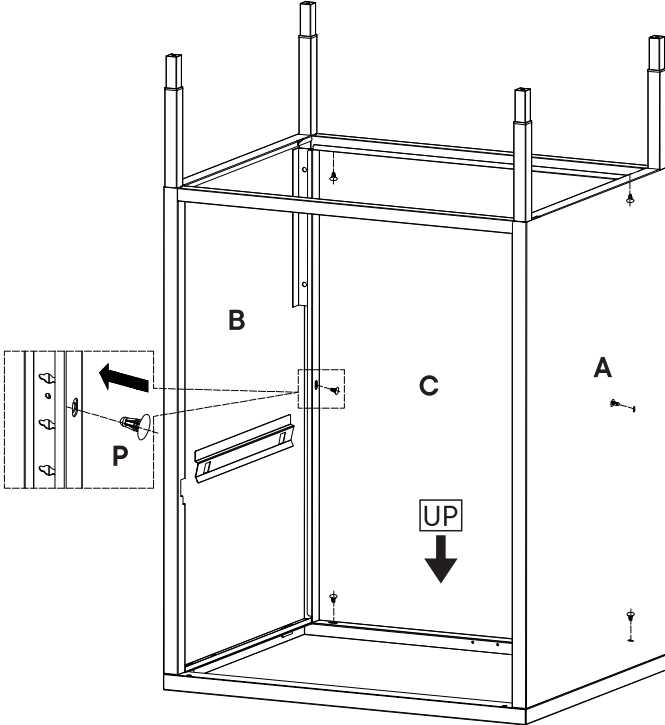
Step 4

COMPONENTS

- A** Left Panel x1
- B** Right Panel x1
- C** Back Panel x1

HARDWARE

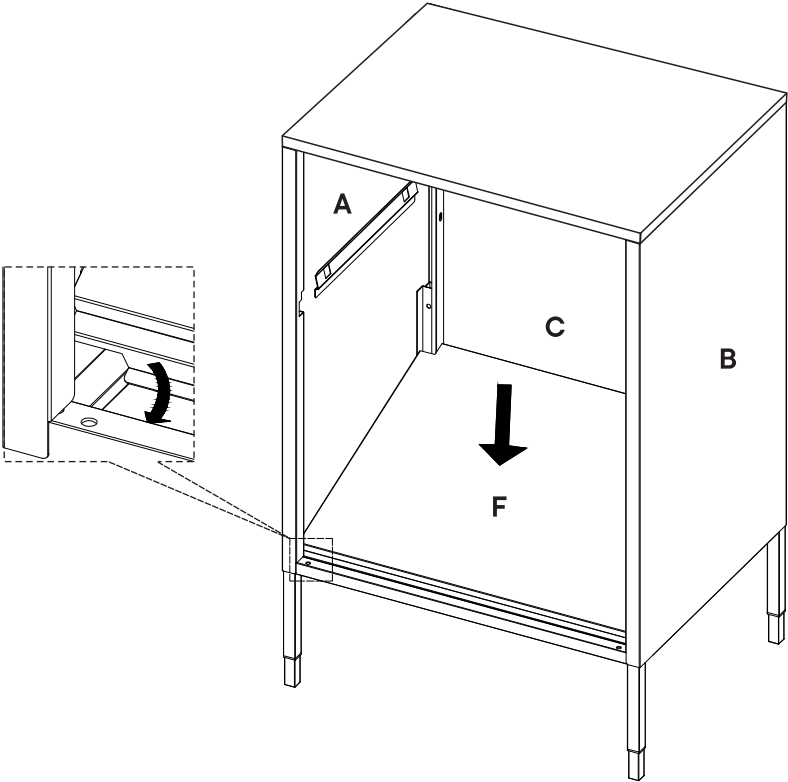
- P** Plastic Cap x6



Step 5

COMPONENTS

- A** Left Panel x1
- B** Right Panel x1
- C** Back Panel x1
- F** Bottom Panel x1

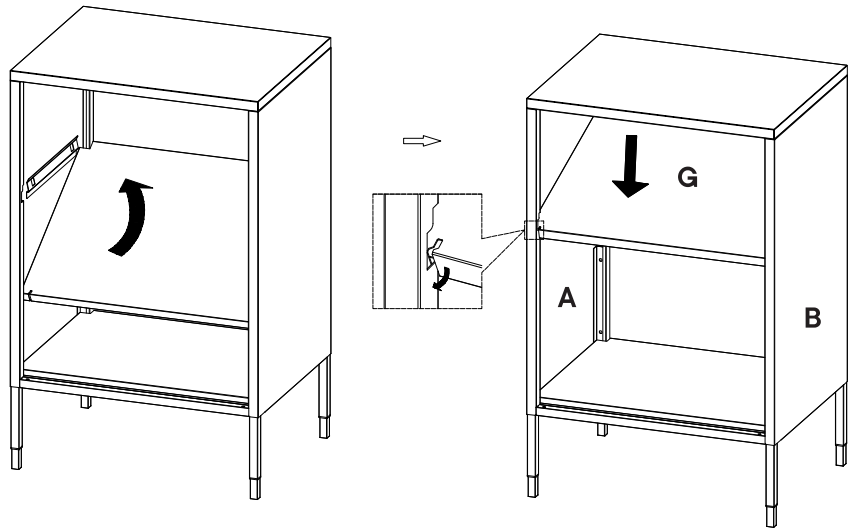


Step 6

COMPONENTS

- A** Left Panel x1
- B** Right Panel x1
- G** Shelf x1

Tilt the Shelf (G) and move it from the bottom to the top position.



Step 7

COMPONENTS

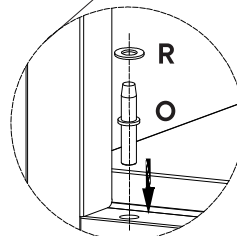
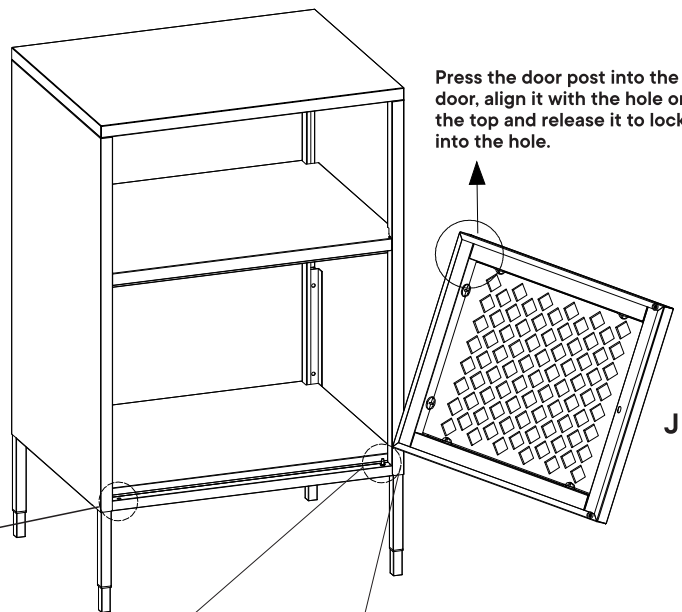
- J** Door Panel x1

HARDWARE

- O** Bottom Hinge x1
- R** $\varnothing 10-\varnothing 5.2$ x1

Press the door post into the door, align it with the hole on the top and release it to lock into the hole.

Option: Bottom Hinge(O) can be assembled on the left side.



Step 8

COMPONENTS

J Door Panel x1

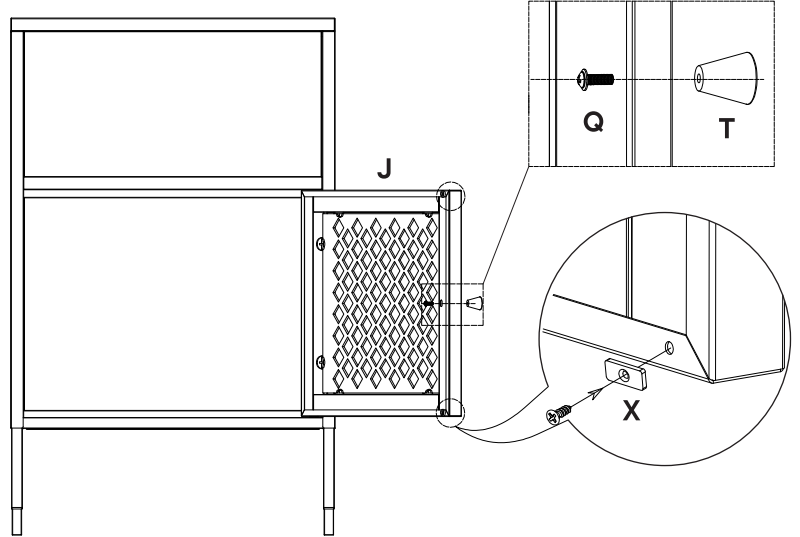
HARDWARE

Q Pan Head Screw M4 x 25mm x1

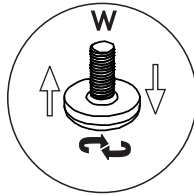
T Door Handle x1

X Magnet Bar Set x2

W Adjustable Foot Pads x4



Notes: If there is a gap in the door, it may be caused by an uneven floor, which can be adjusted by adjustable foot pads (W).



Great job!

Your nightstand is complete.

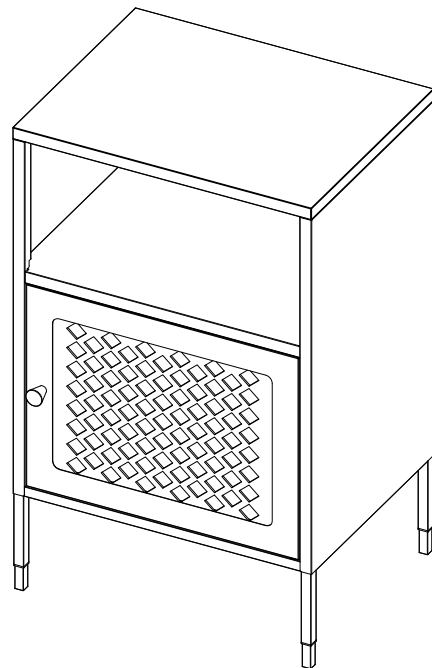
♥ CARING FOR YOUR ITEM

Indoor use only.

Not contract grade.

Clean using a non-abrasive cloth and a mild cleaner.

Never use harsh chemicals, as they could damage the finish or integrity of the item.



CONNECT WITH US!   

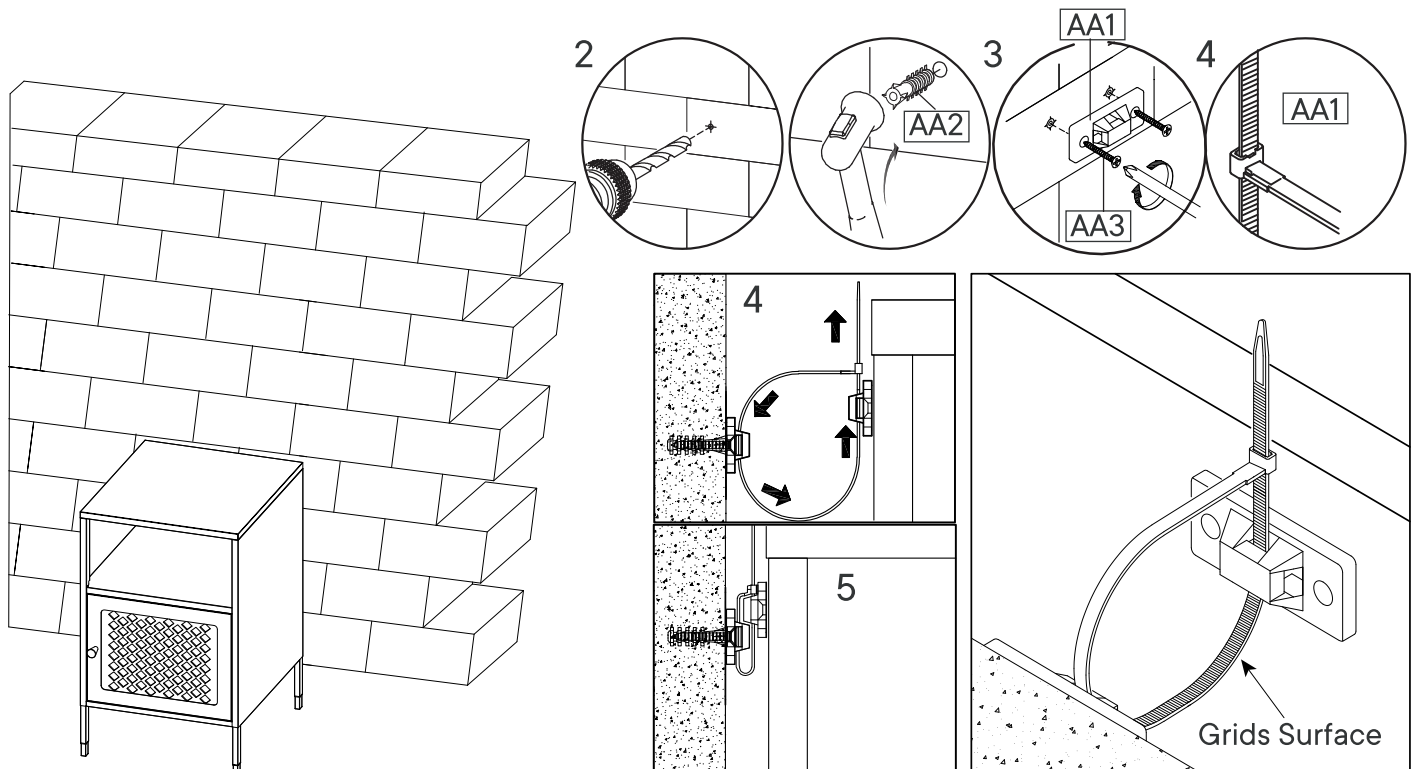
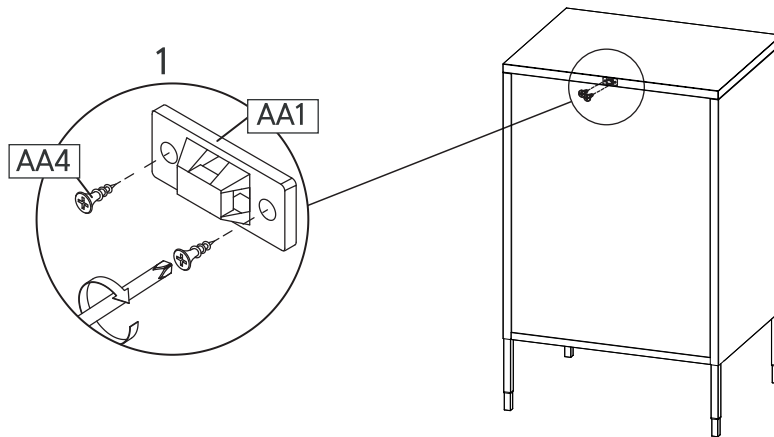
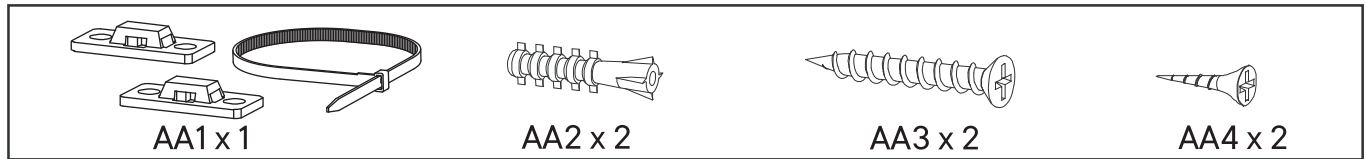
Tag us @modway_furniture and #modway for a chance to be featured.

TIPPING RESTRAINTS KIT (Z) INSTALLATION GUIDANCE

Different wall materials require unique wall fasteners.

The wall plugs (AA2) and screws (AA3) are designed for fixing to concrete walls only.

Please consult your local hardware store to ensure you are using the correct hardware for you wall type.



Installation Instructions :

1. Attach bracket (AA1) securely to the back top of the furniture using screw (AA4) provided.
2. Please make a hole for wall plugs position on the wall and minimum 15 mm below bracket secured to the back of unit attach the wall plugs (AA2).
3. Lace the end of the restrains strap through the larger hole in each bracket. Ensure the restrains strap with grids surface facing the inner loops. Bring both ends together and slide the at end through the locking end and draw it through until all slack is removed.
4. Make sure that the strap is securely laced & locked.