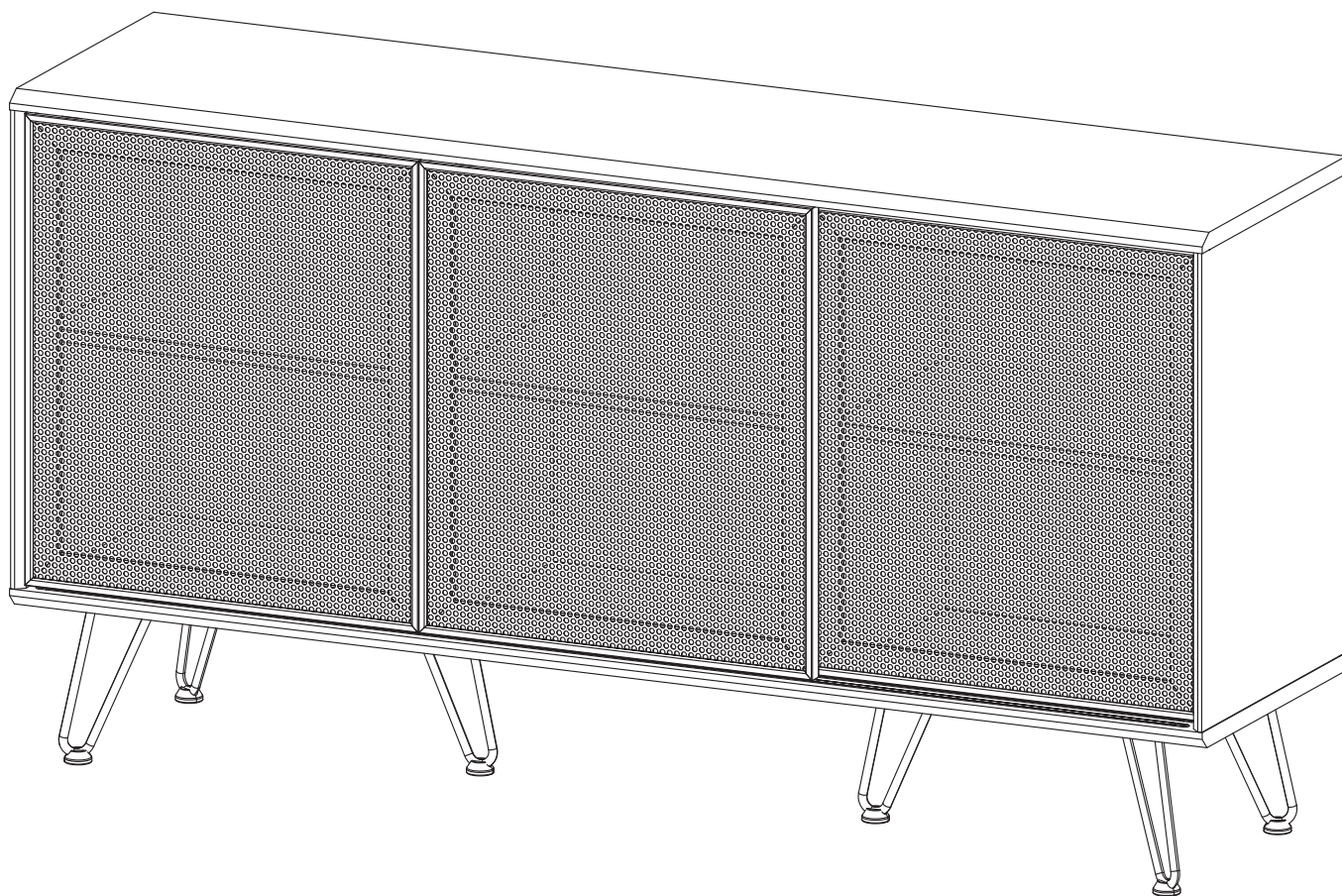


# ASSEMBLY INSTRUCTIONS

# EEI-6204

V0.09.08.22



**Questions? Contact us!**

609.256.9000 • [cs@modway.com](mailto:cs@modway.com)  
[www.modway.com](http://www.modway.com)

\*modway

# Let's get started!

\*modway



Read through all of the instructions before starting



Care instructions are listed in the last step of this manual



Approx. 60 minutes assembly time



Make sure you have all parts and components before discarding any packing materials



2 people recommended for assembly

**Only use hand tools to assemble this item.** Do not use power tools. Do not tighten bolts or screws completely until all hardware is lined up and inserted into the holes.

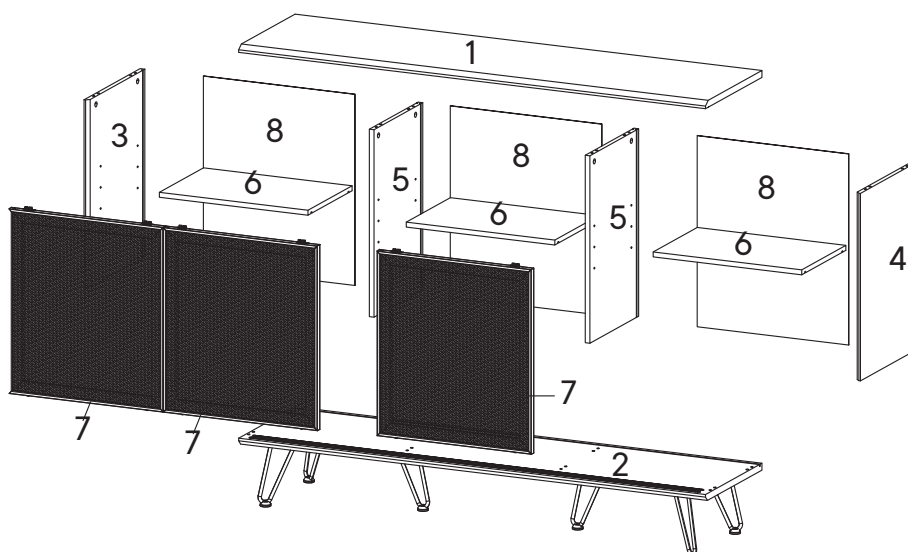
Do not over-tighten screws and bolts to avoid stripping the hardware or cracking the item.

Assemble your item on a flat, carpeted area, with plenty of space to work. This will prevent damage and scratches to your floors or the item while you're assembling the product.

Keep all components and packaging out of reach of children or animals to avoid risk of choking or suffocation.

## Furniture components:

1	Top Board	x1
2	Bottom Board	x1
3	Side Board Left	x1
4	Side Board Right	x1
5	Center Board	x2
6	Adjustable Shelf	x3
7	Door	x3
8	Back Board	x3



## Provided hardware:

A		Cam Bolt Ø6 x 35 mm	x8
B		Cam Lock Ø15 mm	x8
C		Wood Dowel Ø8 x 30 mm	x16
D		Screw M 7 x 50 mm	x8
E		Screw M 3.5 x 13 mm	x24
F		Screw Cap Ø15 mm	x8
G		Allen Key	x2
H		Wedge	x24
I		Screw M 3.5 x 15.5 mm	x24

J		Shelf Pin	x12
K		Silicon Bumper	x5
L		Screw M 4.5 x 12.5 mm	x24
M		Floor Pad	x6
N		Sliding Top	x6
O		Sliding Bottom	x6
LM19A1		Leg Hairpin	x6

## What you need:

Phillips Head Screwdriver

Wait!

Missing parts or hardware? Need assistance?  
Contact us before returning your item. We're here to help!  
609.256.9000 • cs@modway.com

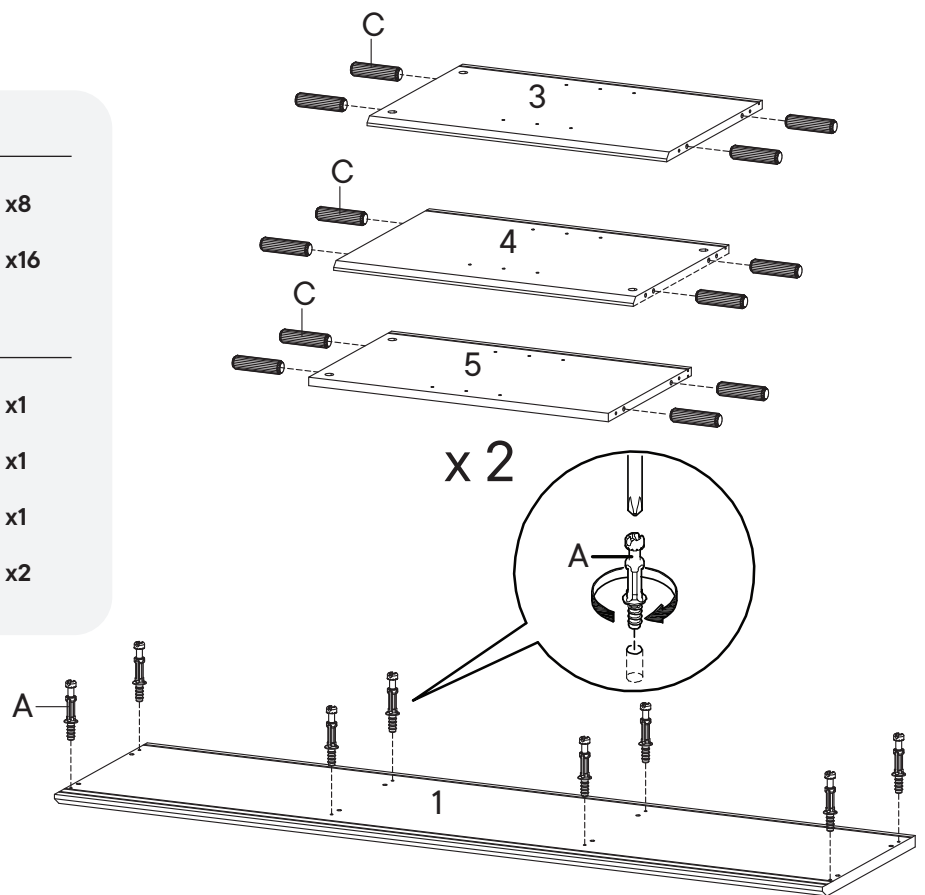
# Step 1

## HARDWARE

- A** Cam Bolt  $\varnothing 6 \times 35$  mm x8
- C** Wood Dowel  $\varnothing 8 \times 30$  mm x16

## COMPONENTS

- 1** Top Board x1
- 3** Side Board Left x1
- 4** Side Board Right x1
- 5** Center Board x2



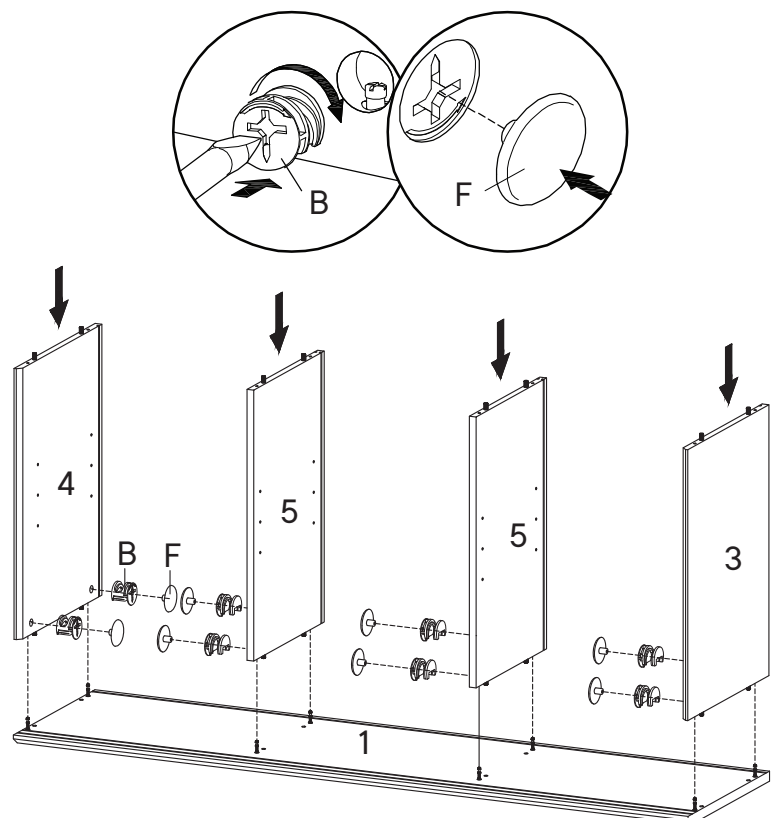
# Step 2

## HARDWARE

- B** Cam Lock  $\varnothing 15$  mm x8
- F** Screw Cap  $\varnothing 15$  mm x8

## COMPONENTS

- 1** Top Board x1
- 3** Side Board Left x1
- 4** Side Board Right x1
- 5** Center Board x2



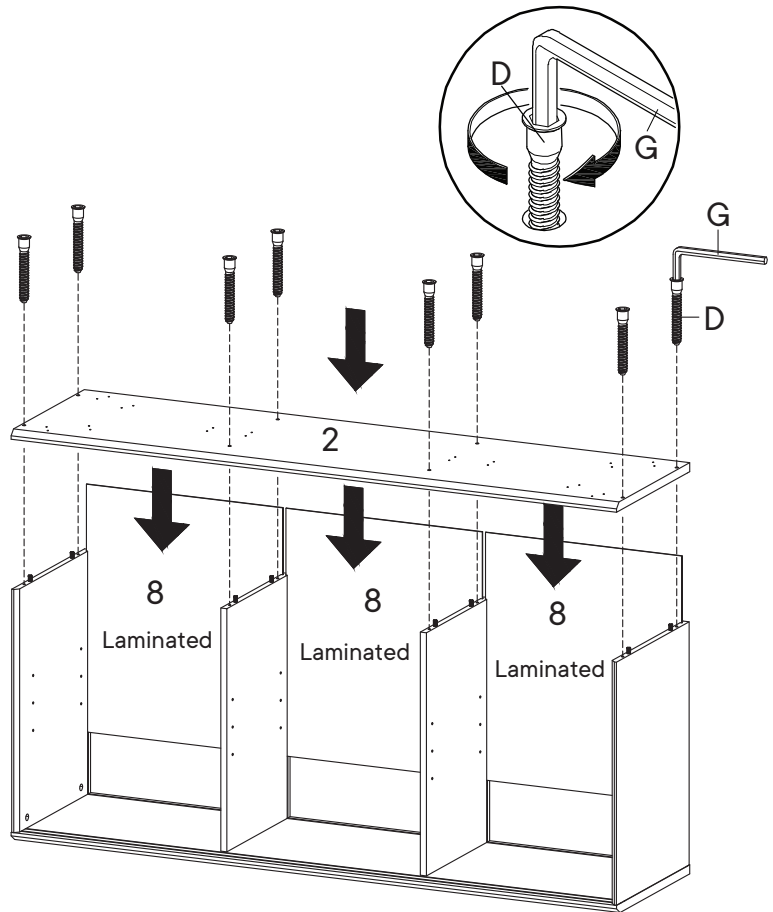
# Step 3

## HARDWARE

- D** Screw M 7 x 50 mm x8
- G** Allen Key x1

## COMPONENTS

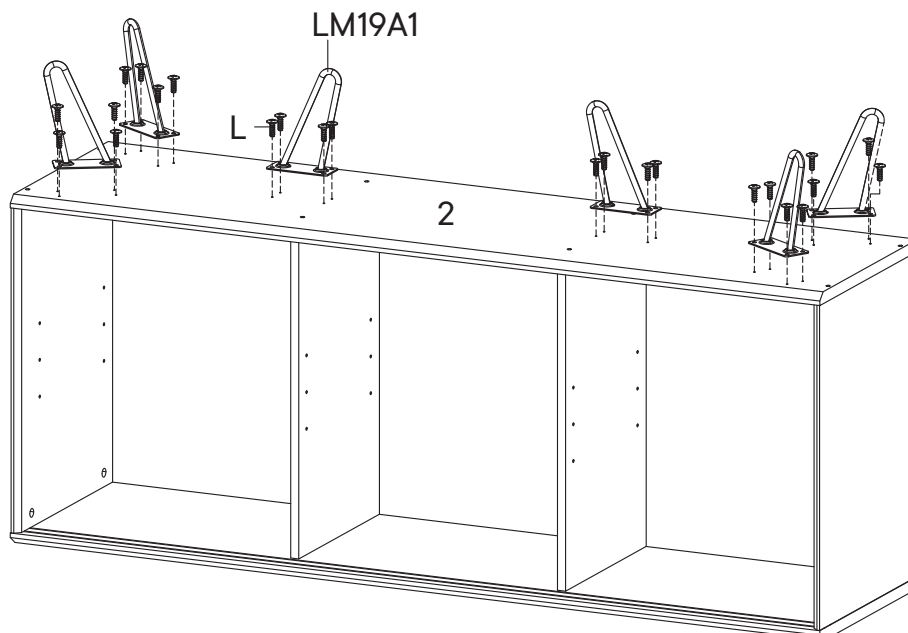
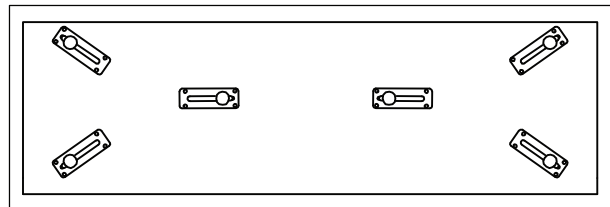
- 2** Bottom Board x1
- 8** Back Board x3



# Step 4

## HARDWARE

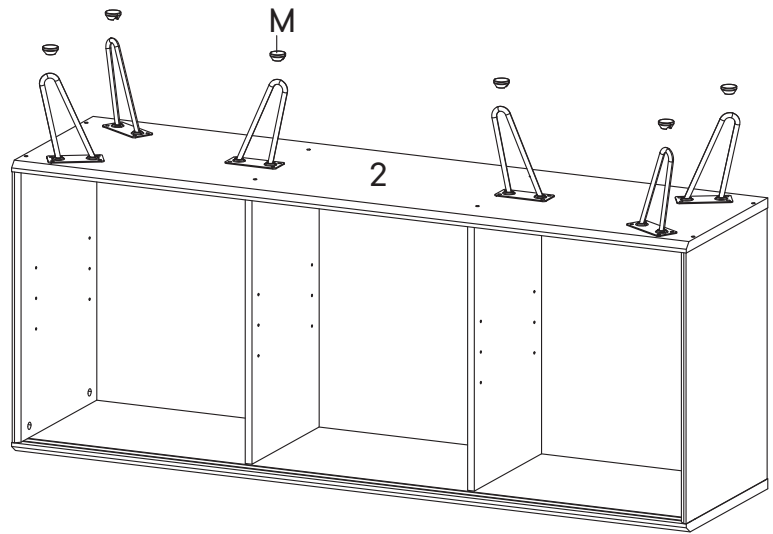
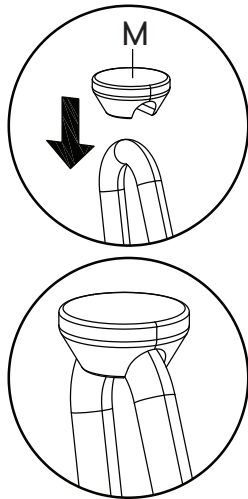
- L** Screw M 4.5 x 12.5 mm x24
- LM19A1** Leg Hairpin x6



# Step 5

## HARDWARE

**M** Floor Pad x6



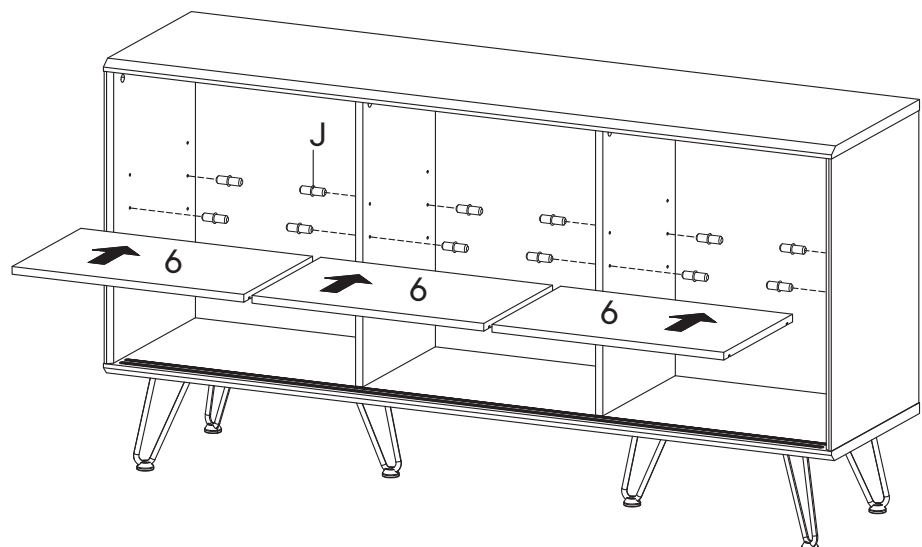
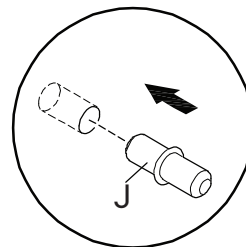
# Step 6

## HARDWARE

**J** Shelf Pin x12

## COMPONENTS

**6** Adjustable Shelf x3



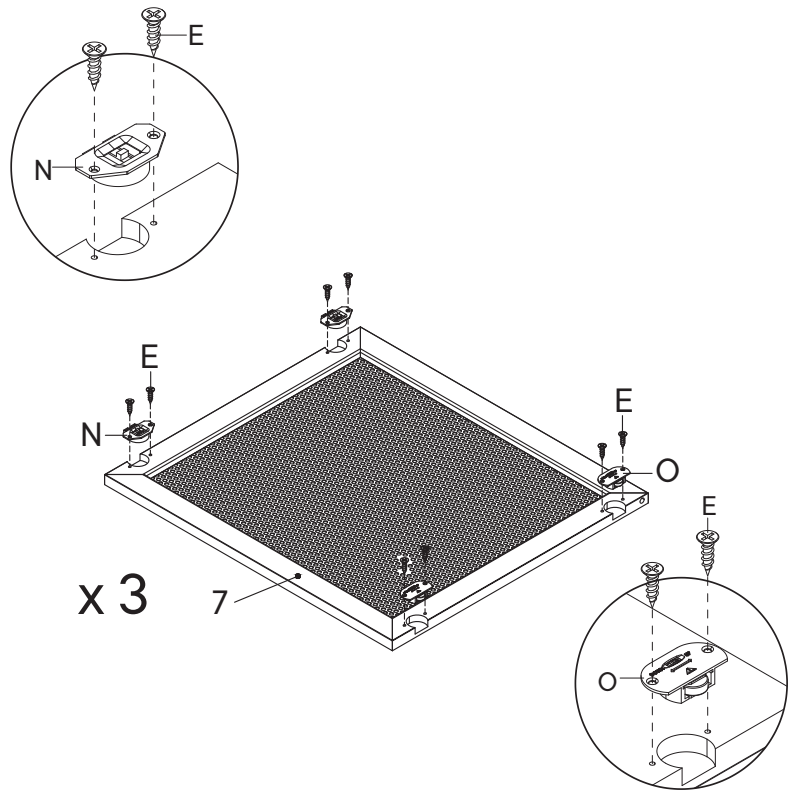
# Step 7

## HARDWARE

- E** Screw M 3.5 x 13 mm x24
- N** Sliding Top x6
- O** Sliding Bottom x6

## COMPONENTS

- 7** Door x3



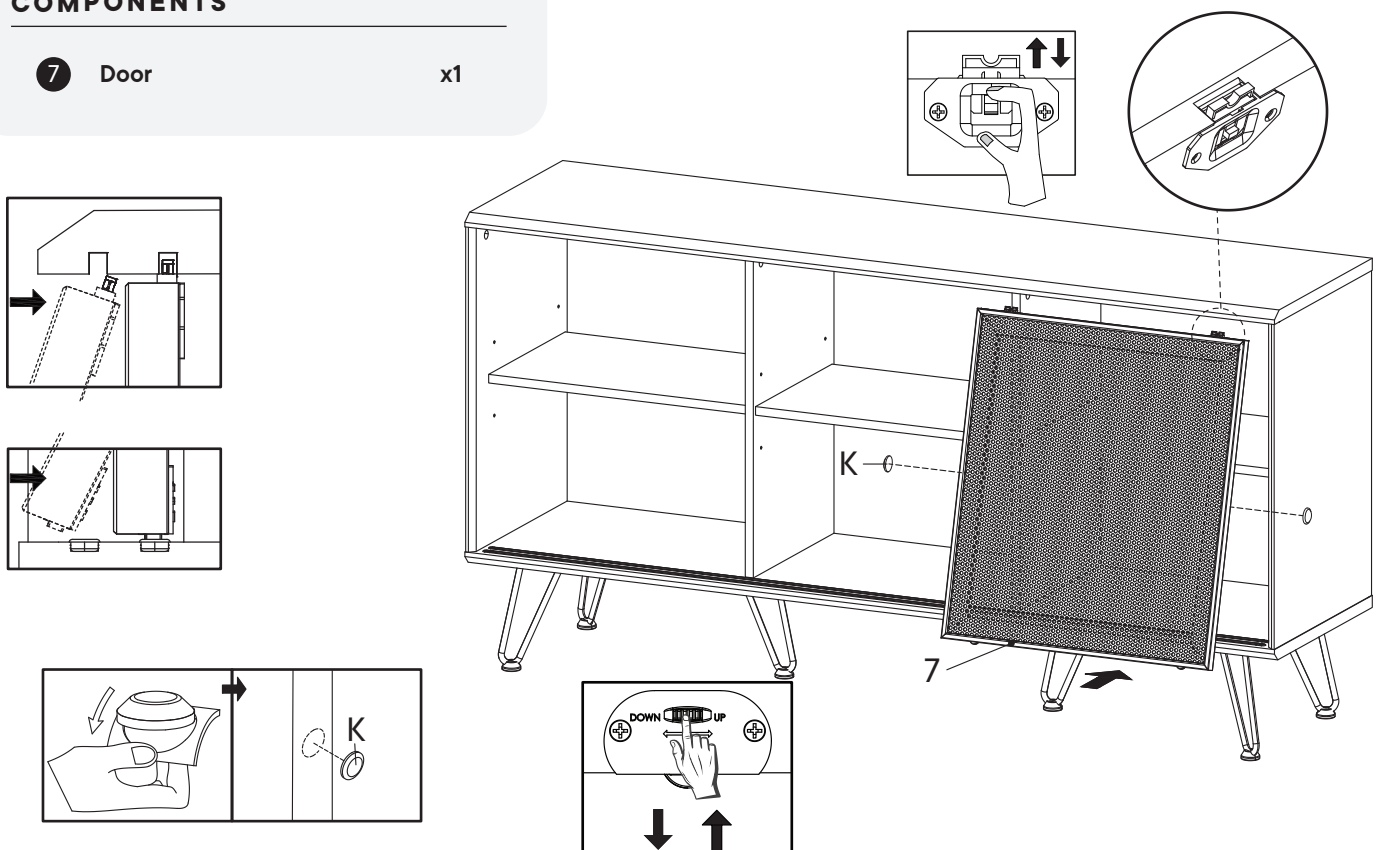
# Step 8

## HARDWARE

- K** Silicon Bumper x2

## COMPONENTS

- 7** Door x1



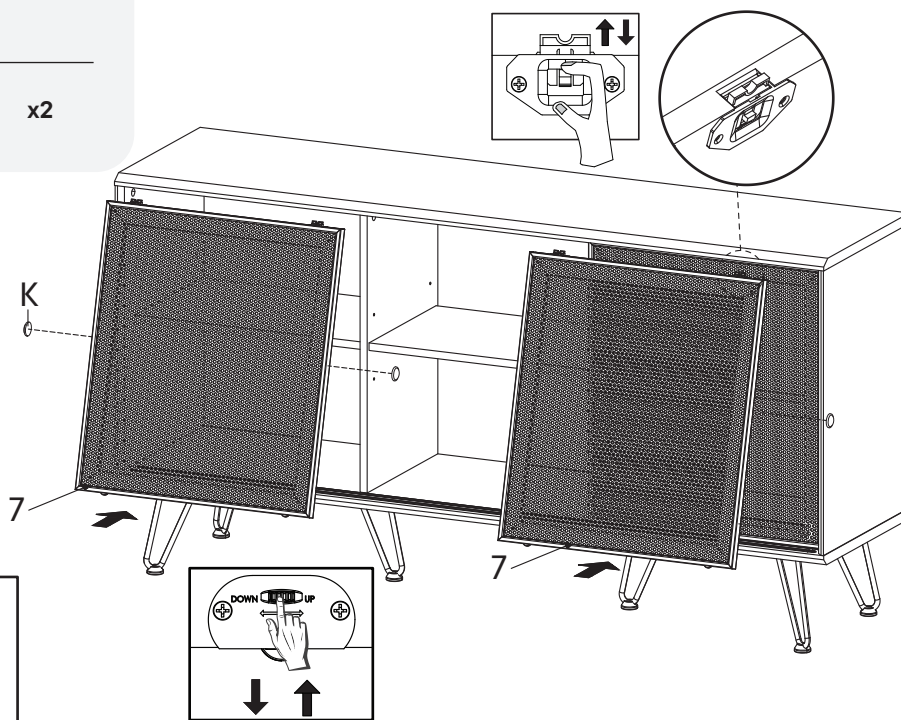
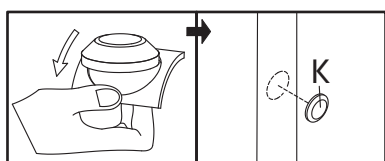
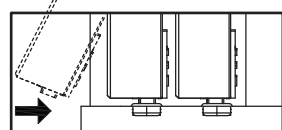
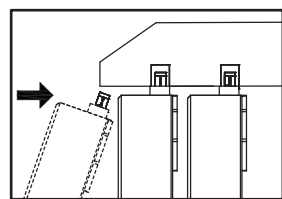
# Step 9

## HARDWARE

**K** Silicon Bumper x3

## COMPONENTS

**7** Door x2

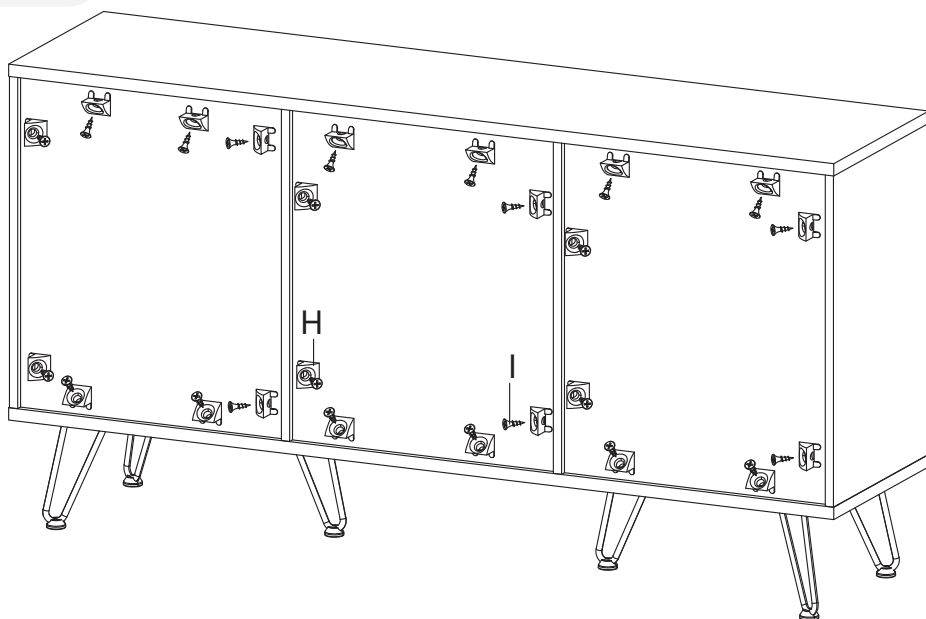
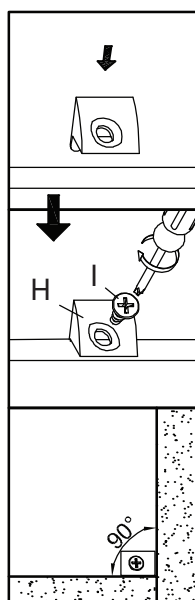


# Step 10

## HARDWARE

**H** Wedge x24

**I** Screw M 3.5 x 15.5 mm x24



# Great job!

Sideboard assembly is complete.

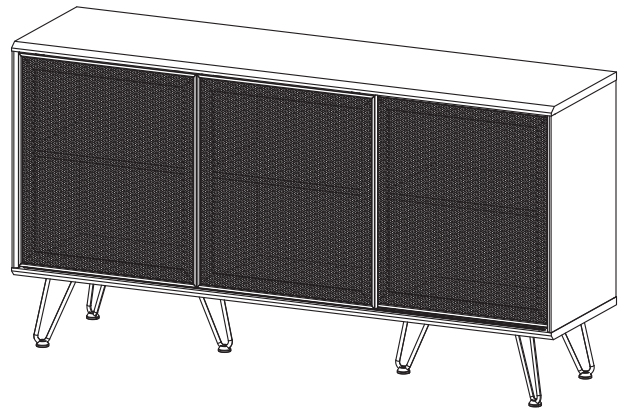
## ♥ CARING FOR YOUR ITEM

Indoor use only.

Not contract grade.

Clean using a non-abrasive cloth and a mild cleaner.

Never use harsh chemicals, as they could damage the finish or integrity of the item.



CONNECT WITH US!   

Tag us [@modway\\_furniture](#) and [#modway](#) for a chance to be featured.

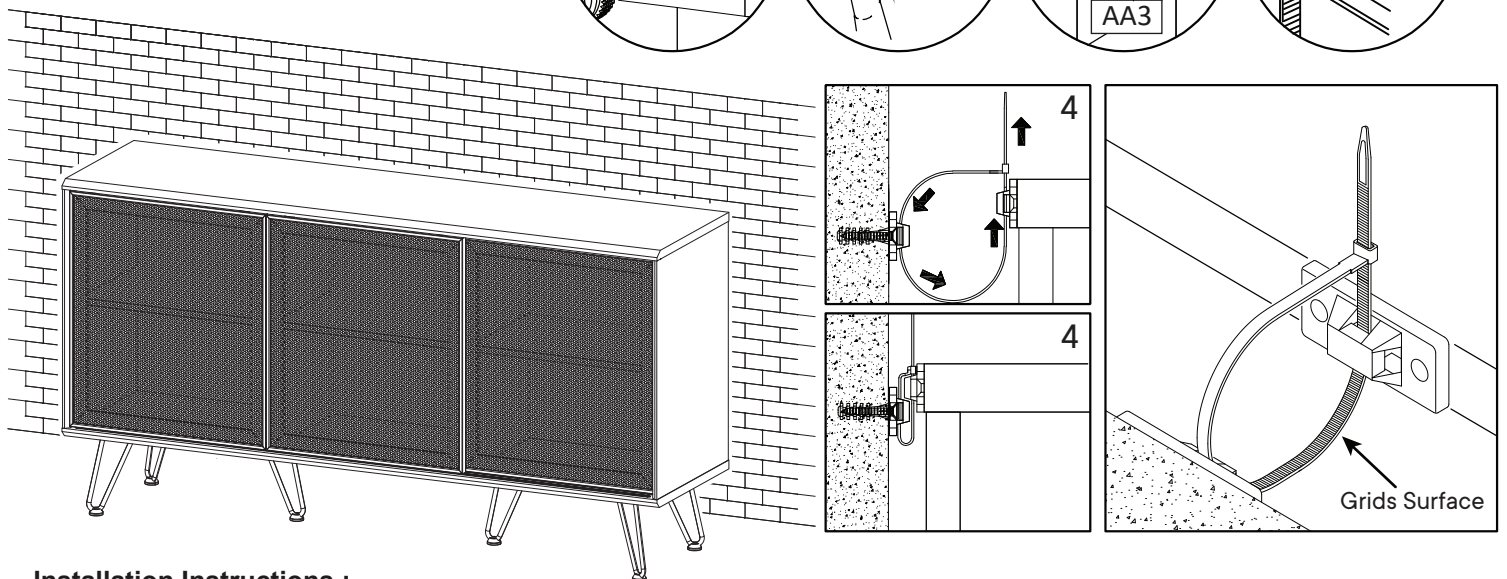
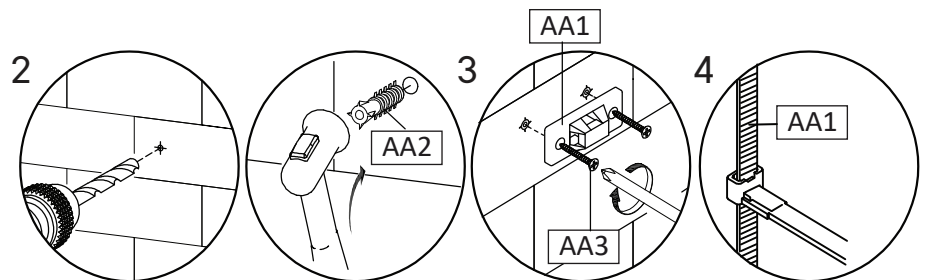
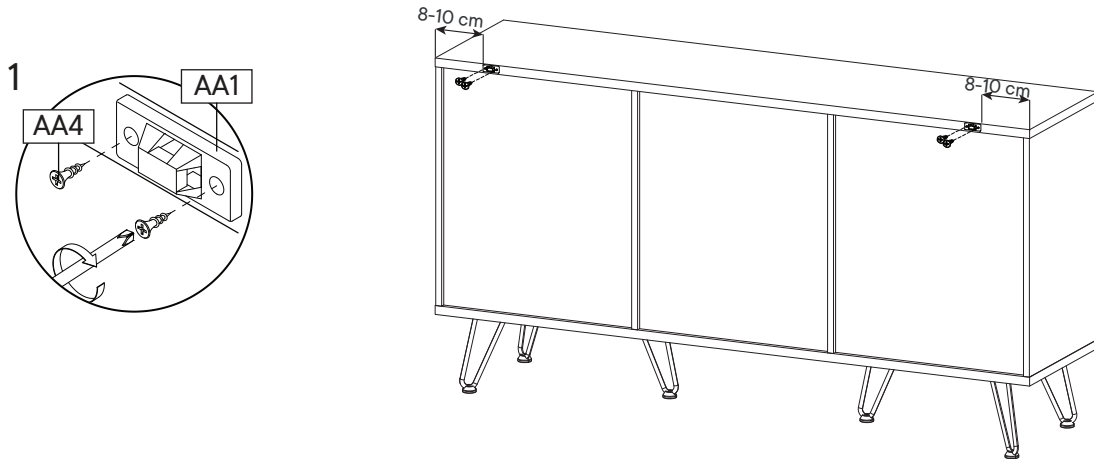
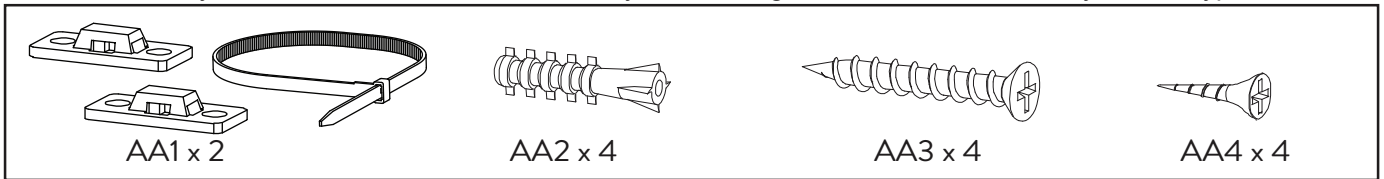


# TIPPING RESTRAINTS KIT INSTALLATION GUIDANCE

Different wall materials require unique wall fasteners.

The wall plugs (AA2) and screws (AA3) are designed for fixing to concrete walls only.

Please consult your local hardware store to ensure you are using the correct hardware for your wall type.



## **Installation Instructions :**

1. Attach bracket (AA1) securely to the back top of the furniture using screw (AA4) provided. Allow 8 - 10 cm from each side.
2. Please make a hole for wall plugs position on the wall and minimum 15 mm below bracket secured to the back of unit attach the wall plugs (AA2).
3. Locate the other bracket (AA1) on the wall over wall plugs (AA2). Place furniture into position so both brackets (AA1) are vertically in the line.
4. Lace the end of the restraints strap through the larger hole in each bracket. Ensure the restraints strap with grids surface facing the inner loops. Bring both ends together and slide the flat end through the locking end and draw it through until all slack is removed.
5. Make sure that the strap is securely laced & locked.