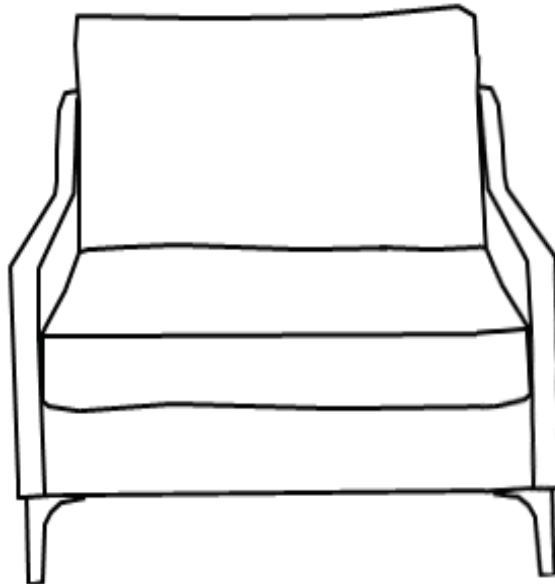


# ASSEMBLY INSTRUCTIONS

# EEI-6022

V1.03.07.22



**Questions? Contact us!**

609.256.9000 • [cs@modway.com](mailto:cs@modway.com)  
[www.modway.com](http://www.modway.com)

\*modway

# Let's get started!

\*modway



Read through all of the instructions before starting



Care instructions are listed in the last step of this manual



Approx. 30 minutes assembly time



Make sure you have all parts and components before discarding any packing materials



2 people recommended for assembly

**Only use hand tools to assemble this item.** Do not use power tools. Do not tighten bolts or screws completely until all hardware is lined up and inserted into the holes.

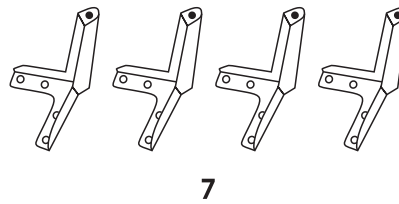
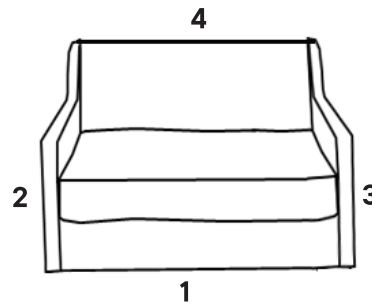
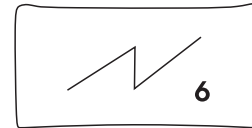
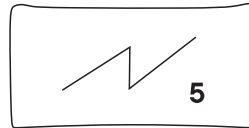
Do not over-tighten screws and bolts to avoid stripping the hardware or cracking the item.

Assemble your item on a flat, carpeted area, with plenty of space to work. This will prevent damage and scratches to your floors or the item while you're assembling the product.

Keep all components and packaging out of reach of children or animals to avoid risk of choking or suffocation.

## Furniture components:

|   |                    |    |
|---|--------------------|----|
| 1 | Armchair Seat      | x1 |
| 2 | Left Arm           | x1 |
| 3 | Right Arm          | x1 |
| 4 | Armchair Back      | x1 |
| 5 | Back Cushion Core  | x1 |
| 6 | Back Cushion Cover | x1 |
| 7 | Metal Leg          | x4 |



## Provided hardware:

|   |  |                 |     |
|---|--|-----------------|-----|
| A |  | Bolt M8 x 60mm  | x12 |
| B |  | Flat Washer M8  | x12 |
| C |  | Allen Wrench M5 | x1  |

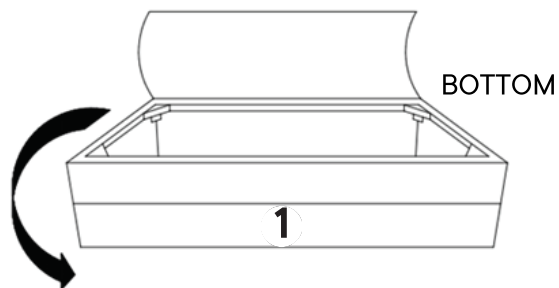
Wait!

Missing parts or hardware? Need assistance?  
Contact us before returning your item. We're here to help!  
609.256.9000 • cs@modway.com

# Step 1

## COMPONENTS

|   |                    |    |
|---|--------------------|----|
| 1 | Armchair Seat      | x1 |
| 2 | Left Arm           | x1 |
| 3 | Right Arm          | x1 |
| 5 | Back Cushion Core  | x1 |
| 6 | Back Cushion Cover | x1 |
| 7 | Metal Leg          | x4 |

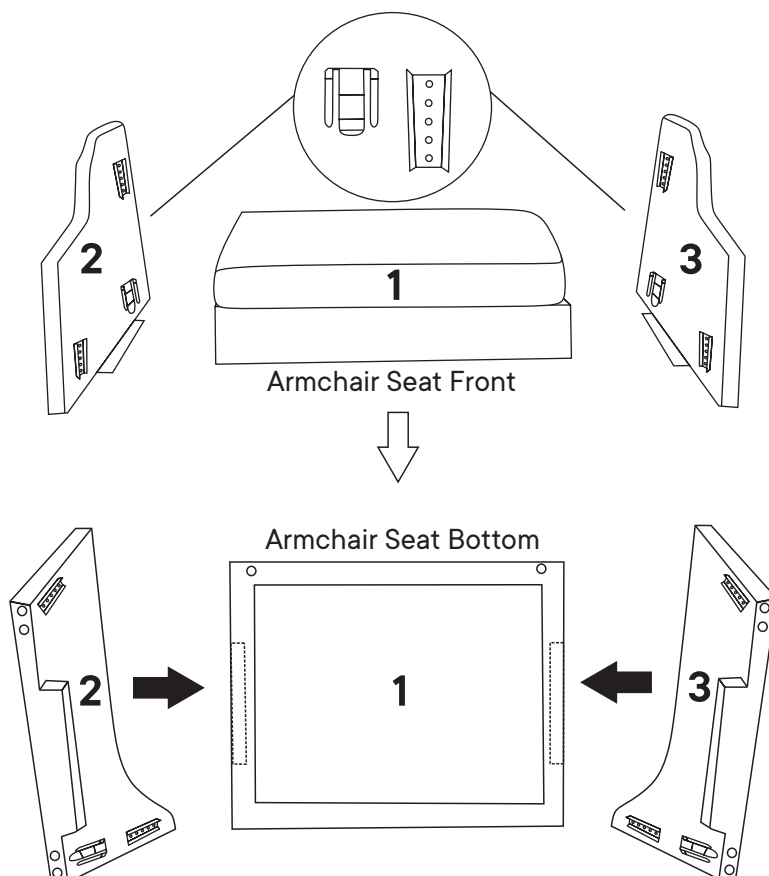


Unzip the bottom cover and locate the Left Arm (2) + Right Arm (3) + Back Cushion Core (5) + Back Cushion Cover (6) + 4 Metal Leg (7) + Hardware package.

# Step 2

## COMPONENTS

|   |               |    |
|---|---------------|----|
| 1 | Armchair Seat | x1 |
| 2 | Left Arm      | x1 |
| 3 | Right Arm     | x1 |



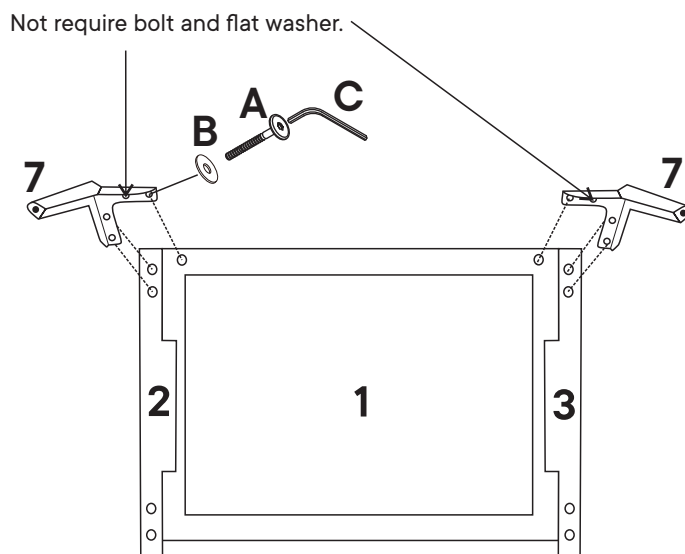
## Step 3

### HARDWARE

|          |                 |    |
|----------|-----------------|----|
| <b>A</b> | Bolt M8 x 60mm  | x6 |
| <b>B</b> | Flat Washer M8  | x6 |
| <b>C</b> | Allen Wrench M5 | x1 |

### COMPONENTS

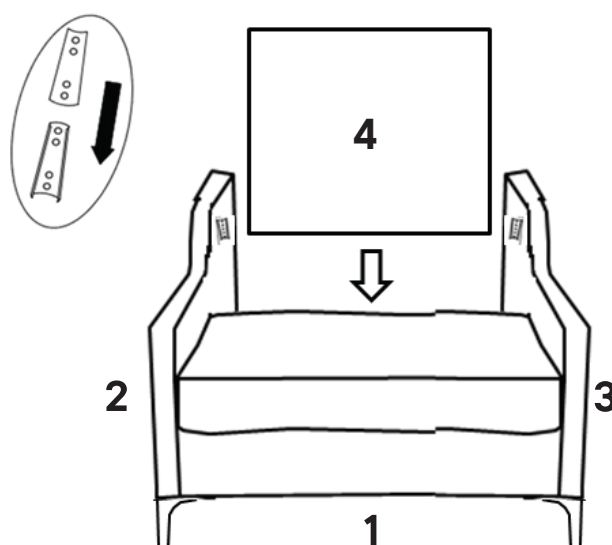
|          |               |    |
|----------|---------------|----|
| <b>1</b> | Armchair Seat | x1 |
| <b>2</b> | Left Arm      | x1 |
| <b>3</b> | Right Arm     | x1 |
| <b>7</b> | Metal Leg     | x2 |



## Step 4

### COMPONENTS

|          |               |    |
|----------|---------------|----|
| <b>1</b> | Armchair Seat | x1 |
| <b>2</b> | Left Arm      | x1 |
| <b>3</b> | Right Arm     | x1 |
| <b>4</b> | Armchair Back | x1 |



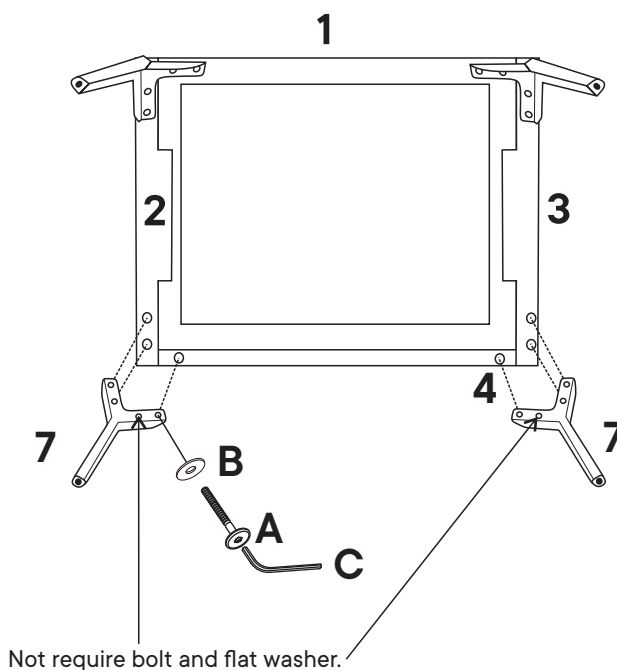
# Step 5

## HARDWARE

- A** Bolt M8 x 60mm x6
- B** Flat Washer M8 x6
- C** Allen Wrench M5 x1

## COMPONENTS

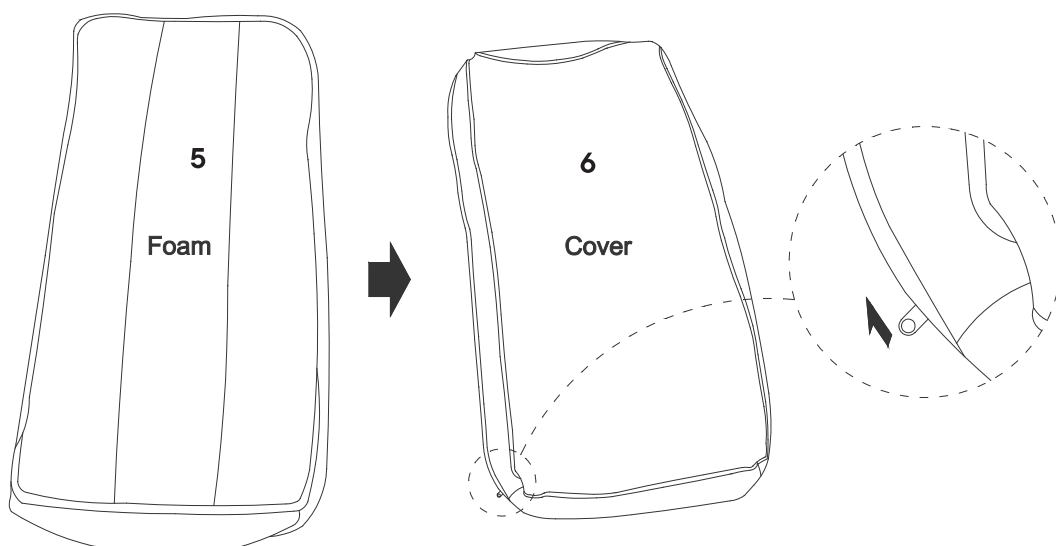
- 1** Armchair Seat x1
- 2** Left Arm x1
- 3** Right Arm x1
- 4** Armchair Back x1
- 7** Metal Leg x2



# Step 6

## COMPONENTS

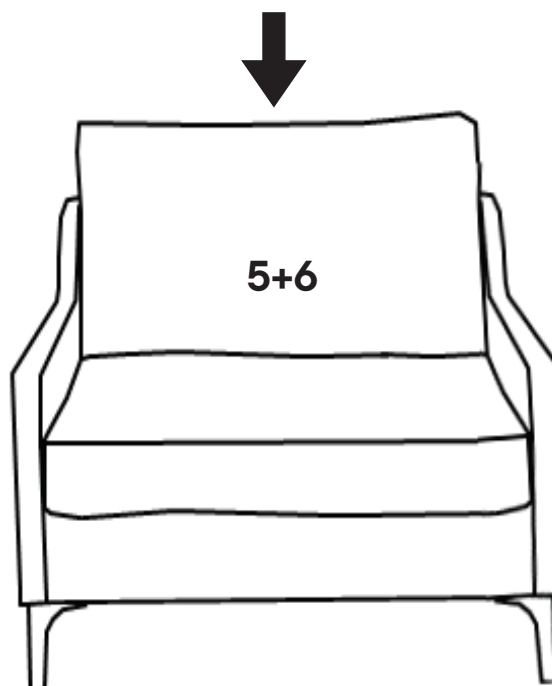
- 5** Back Cushion Core x1
- 6** Back Cushion Cover x1



# Step 7

## COMPONENTS

6 Back Cushion x1



# Great job!

Your Armchair is complete.

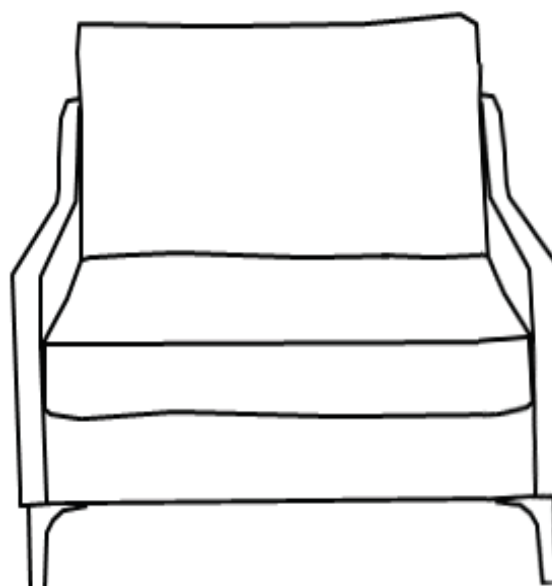
## ♥ CARING FOR YOUR ITEM

Indoor use only.

Not contract grade.

Clean using a non-abrasive cloth and a mild cleaner.

Never use harsh chemicals, as they could damage the finish or integrity of the item.



CONNECT WITH US!   

Tag us @modway\_furniture and #modway for a chance to be featured.