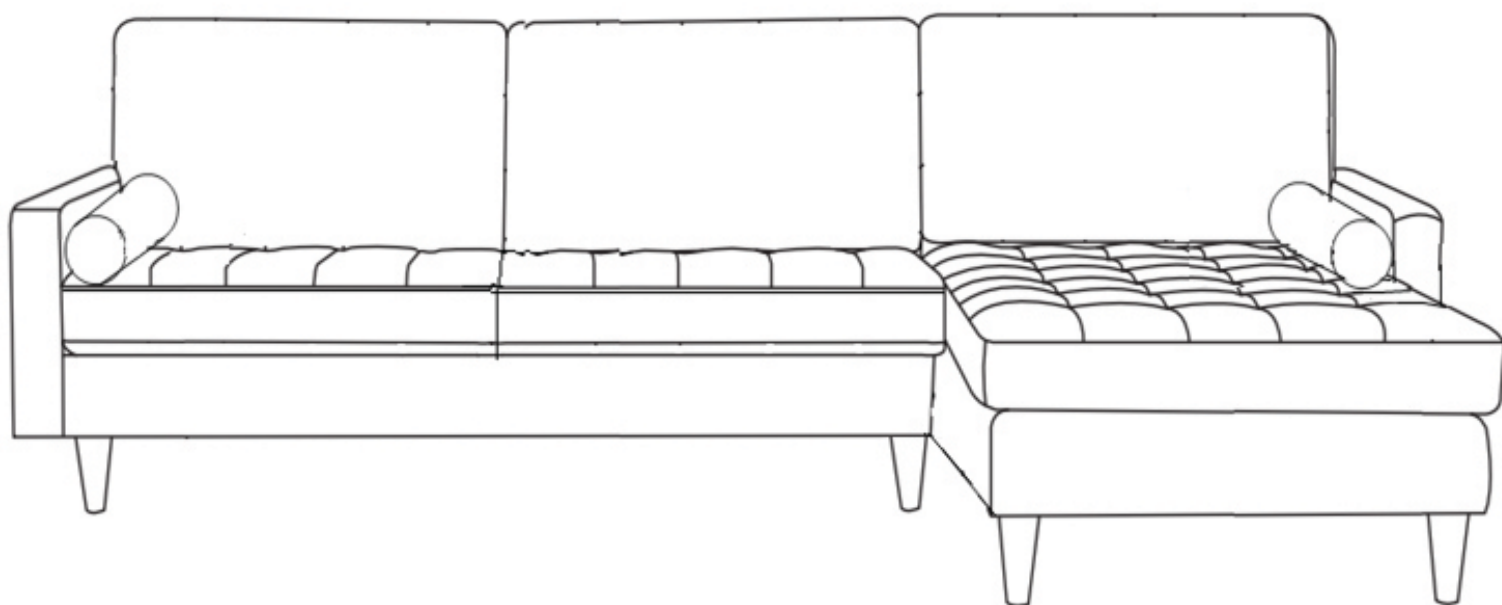


# ASSEMBLY INSTRUCTIONS

# EEI-5873

V1.03.05.22



**Questions? Contact us!**

609.256.9000 • [cs@modway.com](mailto:cs@modway.com)  
[www.modway.com](http://www.modway.com)

\*modway

# Let's get started!

\*modway



Read through all of the instructions before starting



Care instructions are listed in the last step of this manual



Approx. 30 minutes assembly time



Make sure you have all parts and components before discarding any packing materials



2 people recommended for assembly

**Only use hand tools to assemble this item.** Do not use power tools. Do not tighten bolts or screws completely until all hardware is lined up and inserted into the holes.

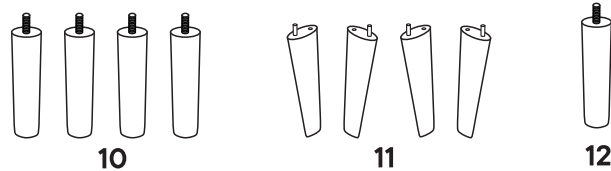
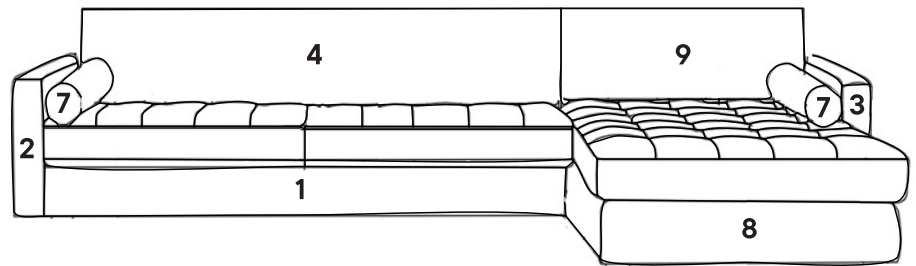
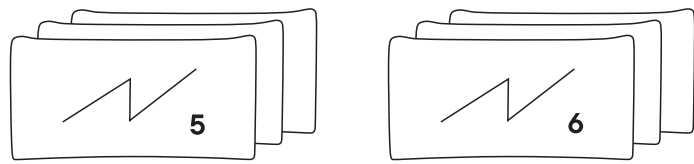
Do not over-tighten screws and bolts to avoid stripping the hardware or cracking the item.

Assemble your item on a flat, carpeted area, with plenty of space to work. This will prevent damage and scratches to your floors or the item while you're assembling the product.

Keep all components and packaging out of reach of children or animals to avoid risk of choking or suffocation.

## Furniture components:

1	LHF Sofa Seat	x1
2	Left Arm	x1
3	Right Arm	x1
4	LHF Sofa Back	x1
5	Back Cushion Core	x3
6	Back Cushion Cover	x3
7	Pillow	x2
8	RHF Chaise Seat	x1
9	RHF Chaise Back	x1
10	Front Legs	x4
11	Back Legs	x4
12	Middle Leg	x1



## Provided hardware:

A		Bolt M8 x 60mm	x4
B		Flat Washer M8	x4
C		Allen Wrench M5	x1
D		L Shape Metal	x2
E		Bolt M6 x 60mm	x12

## What you need:

Phillips Head Screwdriver

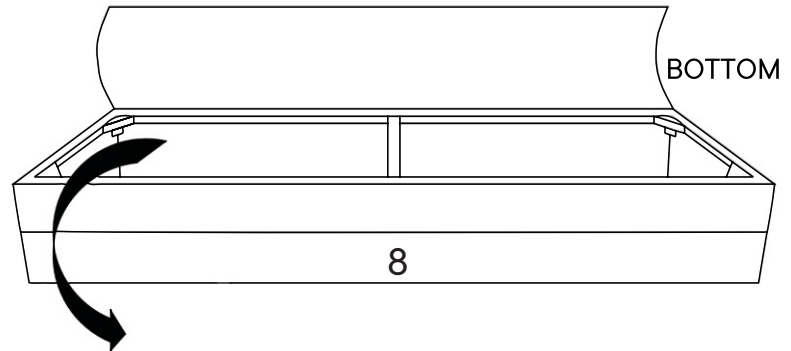
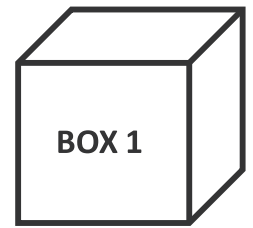
Wait!

Missing parts or hardware? Need assistance?  
Contact us before returning your item. We're here to help!  
609.256.9000 • cs@modway.com

# Step 1

## COMPONENTS

3	Right Arm	x1
5	Back Cushion Core	x1
6	Back Cushion Cover	x1
8	RHF Chaise Seat	x1
9	RHF Chaise Back	x1

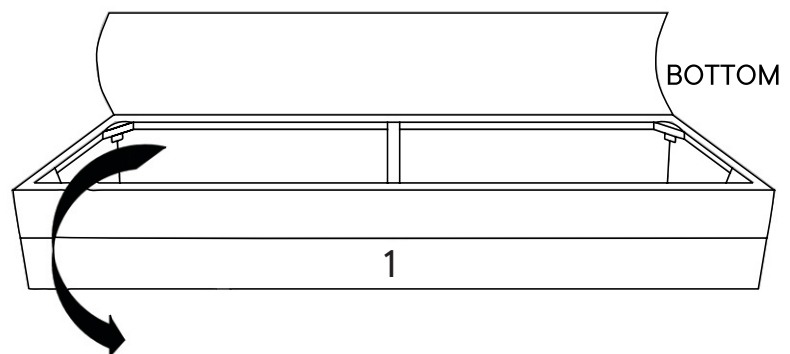
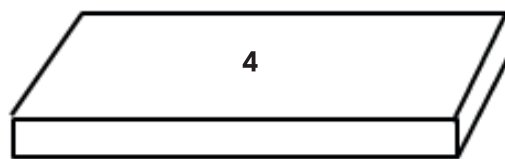
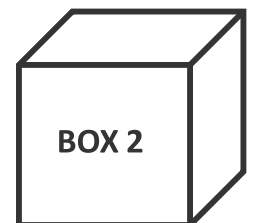
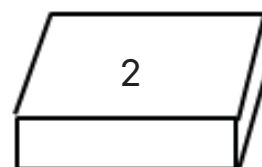
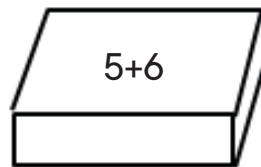


Unzip the bottom cover and locate the Right Arm (3) + 1 Back Cushion Core (5) + 1 Back Cushion Cover (6) and RHF Chaise Back (9).

# Step 2

## COMPONENTS

1	LHF Sofa Seat	x1
2	Left Arm	x1
4	LHF Sofa Back	x1
5	Back Cushion Core	x2
6	Back Cushion Cover	x2
7	Pillow	x2
10	Front Legs	x4
11	Back Legs	x4
12	Middle Leg	x1



Unzip the bottom cover and locate the 1 Back Cushion Core (5) + 1 Back Cushion Cover (6) + 2 Pillow (7) + 4 Front Legs (10) + 4 Back Legs (11) and 1 Middle Leg (12).

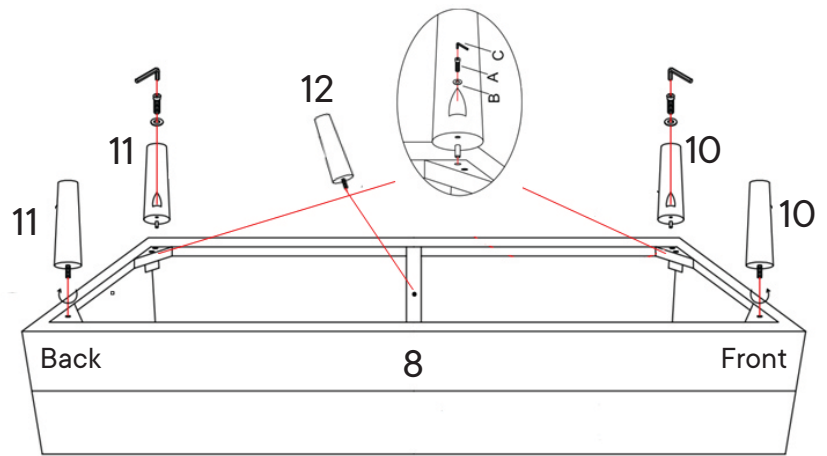
## Step 3

### HARDWARE

<b>A</b>	Bolt M8 x 60mm	x2
<b>B</b>	Flat Washer M8	x2
<b>C</b>	Allen Wrench M5	x1

### COMPONENTS

<b>8</b>	RHF Chaise Seat	x1
<b>10</b>	Front Legs	x2
<b>11</b>	Back Legs	x2
<b>12</b>	Middle Leg	x1



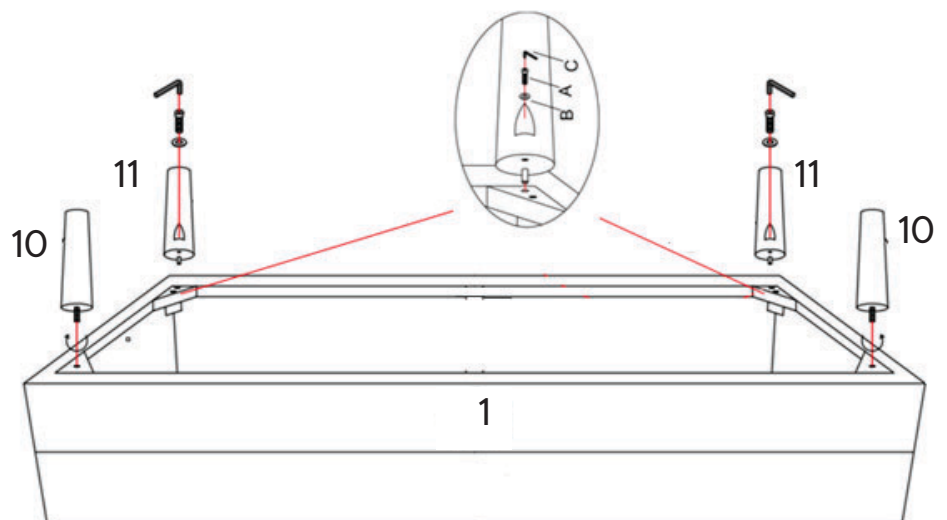
## Step 4

### HARDWARE

<b>A</b>	Bolt M8 x 60mm	x2
<b>B</b>	Flat Washer M8	x2
<b>C</b>	Allen Wrench M5	x1

### COMPONENTS

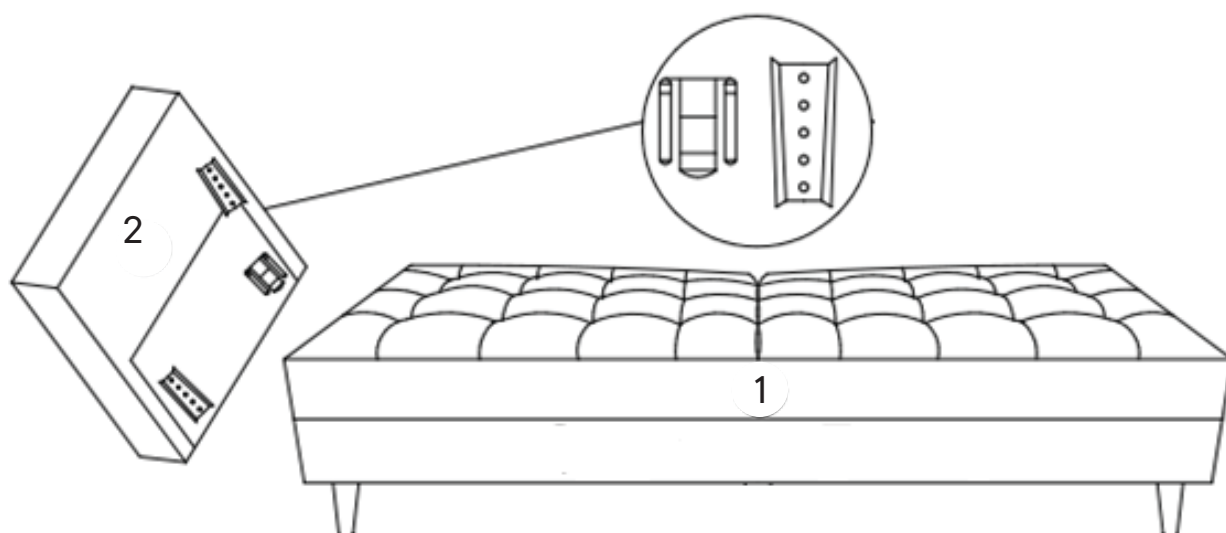
<b>1</b>	LHF Sofa Seat	x1
<b>10</b>	Front Legs	x2
<b>11</b>	Back Legs	x2



## Step 5

### COMPONENTS

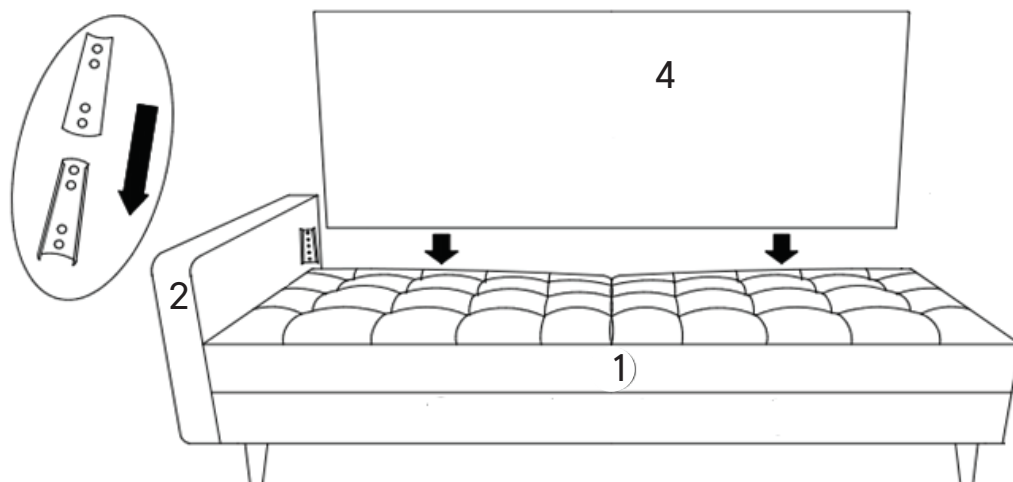
- |   |               |    |
|---|---------------|----|
| 1 | LHF Sofa Seat | x1 |
| 2 | Left Arm      | x1 |



## Step 6

### COMPONENTS

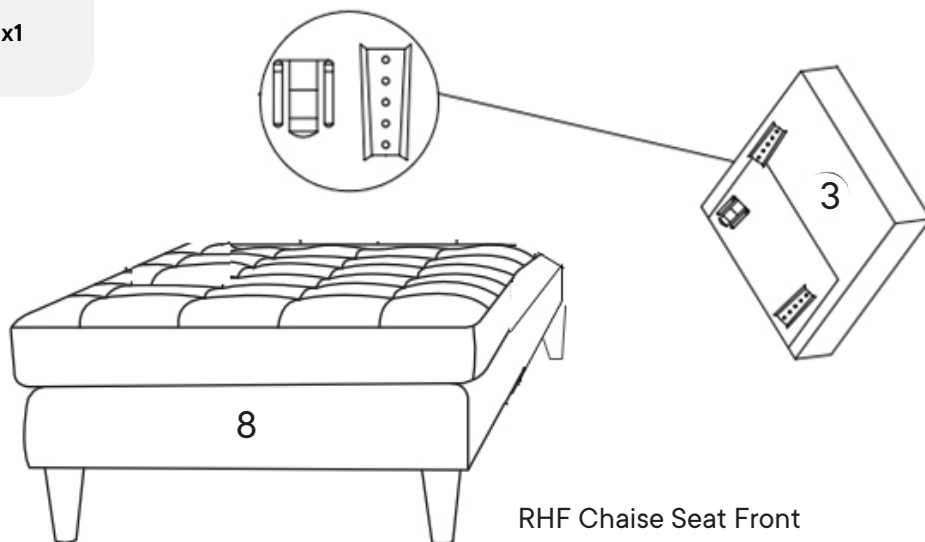
- |   |               |    |
|---|---------------|----|
| 1 | LHF Sofa Seat | x1 |
| 2 | Left Arm      | x1 |
| 4 | LHF Sofa Back | x1 |



# Step 7

## COMPONENTS

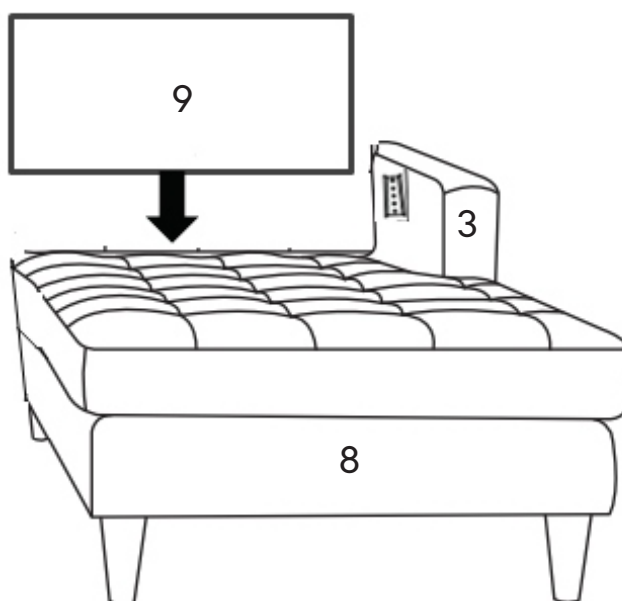
- 3 Right Arm x1
- 8 RHF Chaise Seat x1



# Step 8

## COMPONENTS

- 3 Right Arm x1
- 8 RHF Chaise Seat x1
- 9 RHF Chaise Back x1



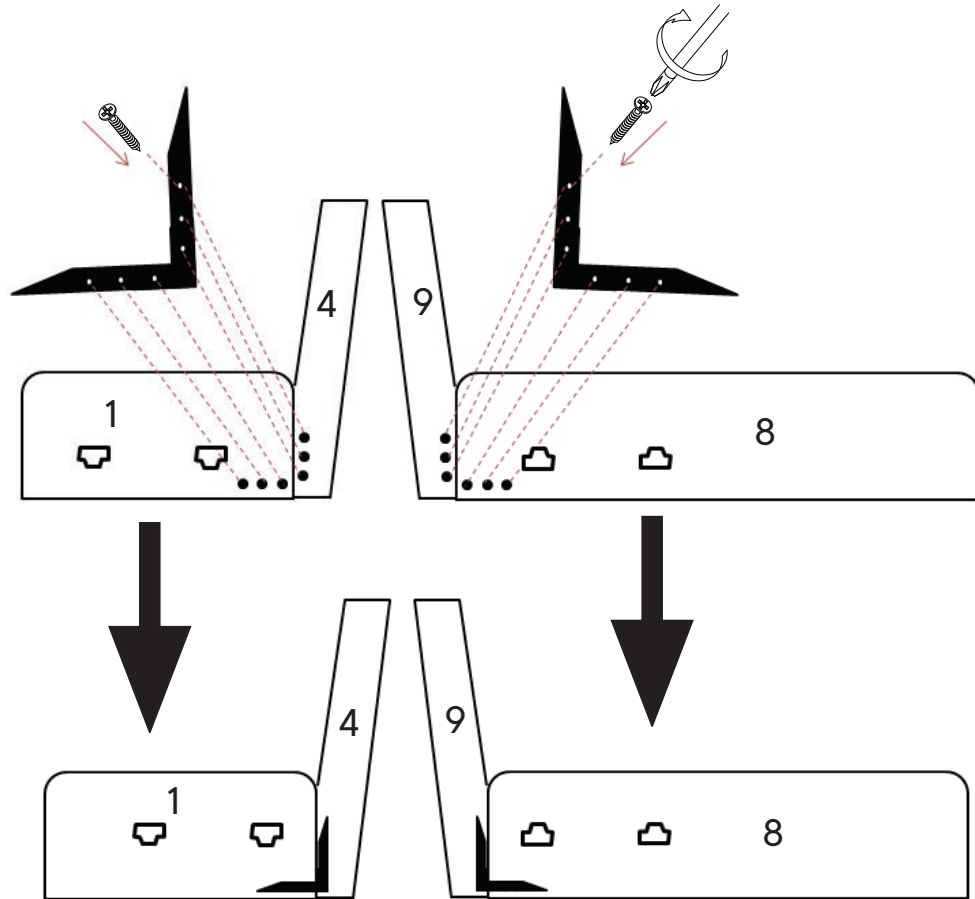
# Step 9

## HARDWARE

- D** L Shape Metal x2
- E** Bolt M6 x 60mm x12

## COMPONENTS

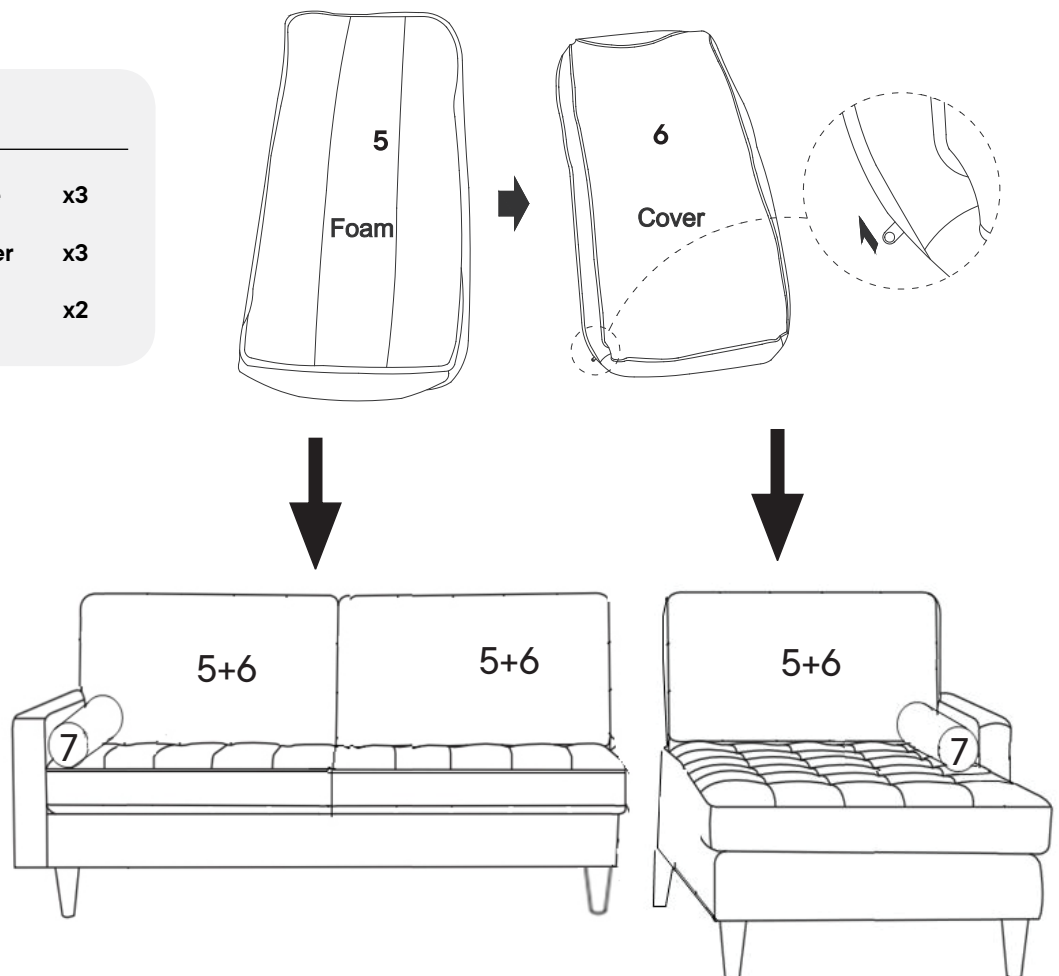
- 1** LHF Sofa Seat x1
- 4** LHF Sofa Back x1
- 8** RHF Chaise Seat x1
- 9** RHF Chaise Back x1



# Step 10

## COMPONENTS

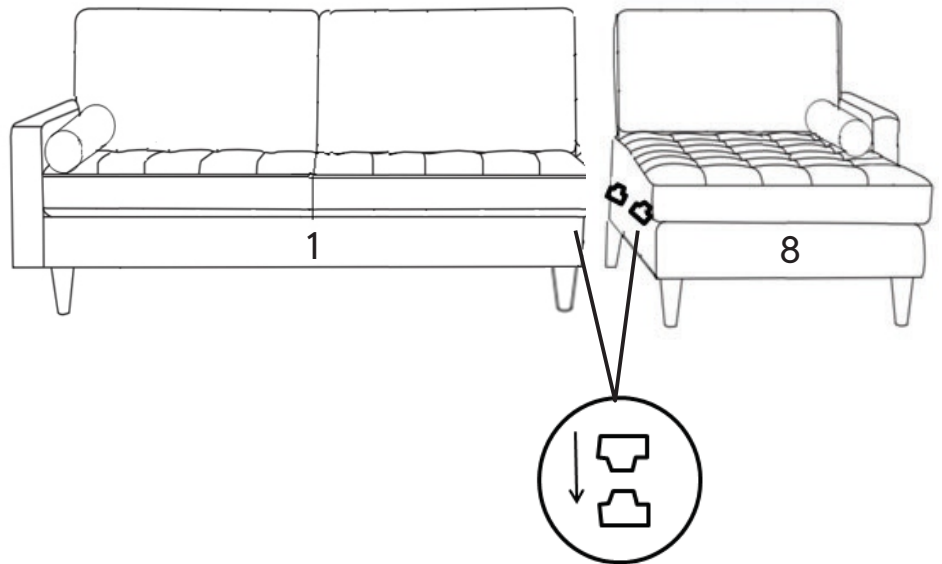
- 5** Back Cushion Core x3
- 6** Back Cushion Cover x3
- 7** Pillow x2



# Step 11

## COMPONENTS

- 1 LHF Sofa Seat x1
- 8 RHF Chaise Seat x1



## Great job!

Your Apartment Sectional is complete.

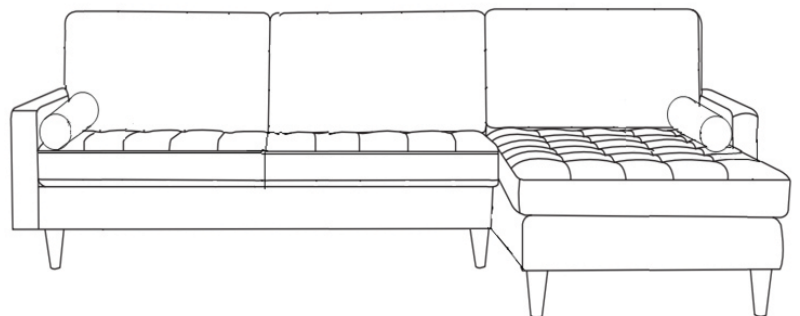
### ♥ CARING FOR YOUR ITEM

Indoor use only.

Not contract grade.

Clean using a non-abrasive cloth and a mild cleaner.

Never use harsh chemicals, as they could damage the finish or integrity of the item.



CONNECT WITH US!   

Tag us @modway\_furniture and #modway for a chance to be featured.