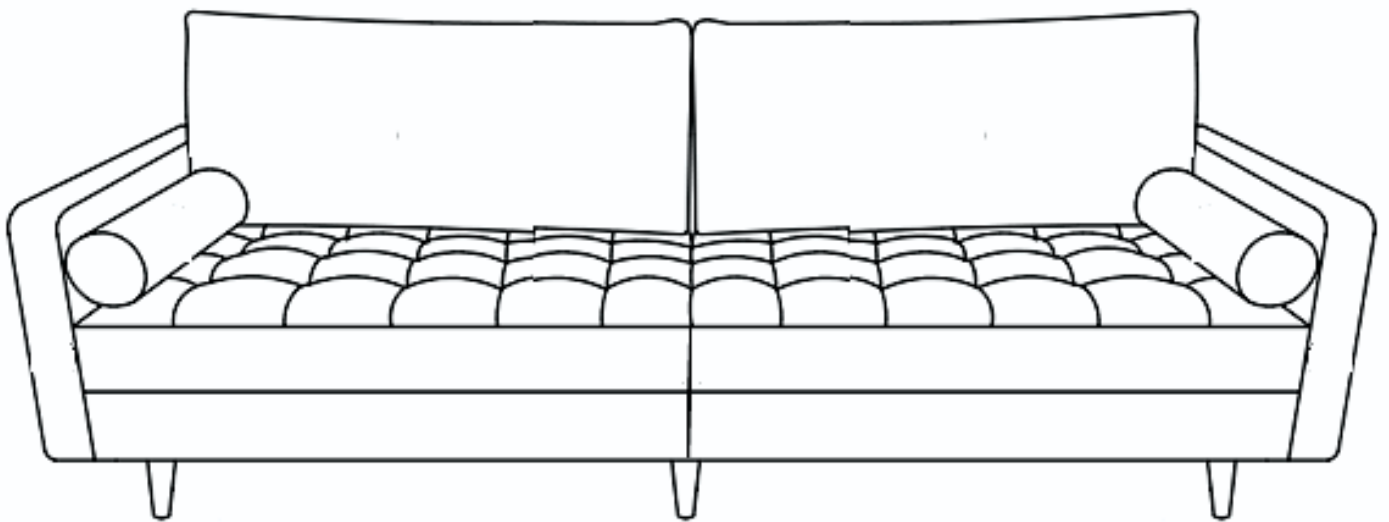


ASSEMBLY INSTRUCTIONS

EEI-5871

V1.03.05.22



Questions? Contact us!

609.256.9000 • cs@modway.com
www.modway.com

*modway

Let's get started!

*modway



Read through all of the instructions before starting



Care instructions are listed in the last step of this manual



Approx. 30 minutes assembly time



Make sure you have all parts and components before discarding any packing materials



2 people recommended for assembly

Only use hand tools to assemble this item. Do not use power tools. Do not tighten bolts or screws completely until all hardware is lined up and inserted into the holes.

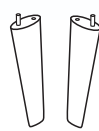
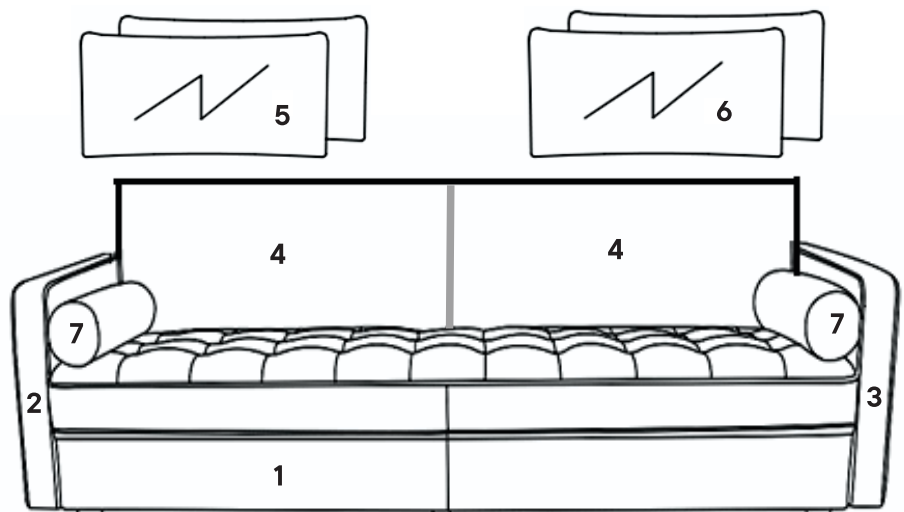
Do not over-tighten screws and bolts to avoid stripping the hardware or cracking the item.

Assemble your item on a flat, carpeted area, with plenty of space to work. This will prevent damage and scratches to your floors or the item while you're assembling the product.

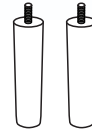
Keep all components and packaging out of reach of children or animals to avoid risk of choking or suffocation.

Furniture components:

1	Sofa Seat	x1
2	Left Arm	x1
3	Right Arm	x1
4	Sofa Back	x2
5	Back Cushion Core	x2
6	Back Cushion Cover	x2
7	Pillow	x2
8	Front Legs	x2
9	Back Legs	x2
10	Middle Leg	x1



9



8



10

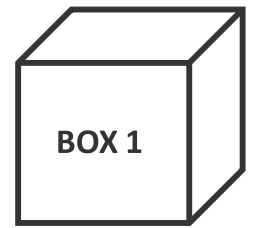
Provided hardware:

A		Bolt M8 x 60mm	x2
B		Flat Washer M8	x6
C		Allen Wrench M5	x1
D		Bolt M8 x 45mm	x4

Wait!

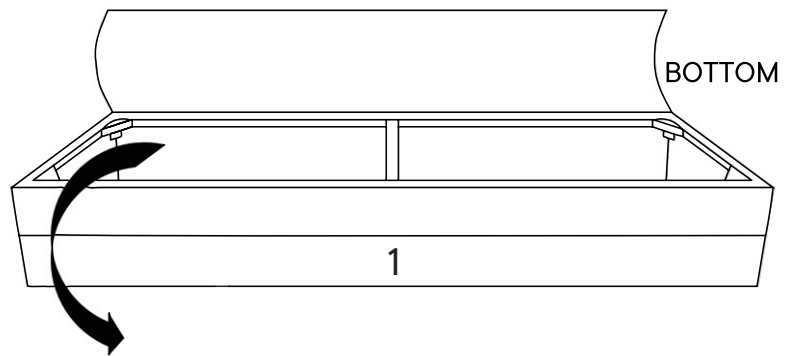
Missing parts or hardware? Need assistance?
Contact us before returning your item. We're here to help!
609.256.9000 • cs@modway.com

Step 1



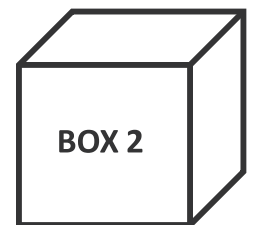
COMPONENTS

- 1 Sofa Seat x1
- 5 Back Cushion Core x2
- 6 Back Cushion Cover x2



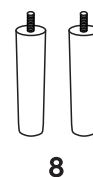
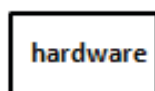
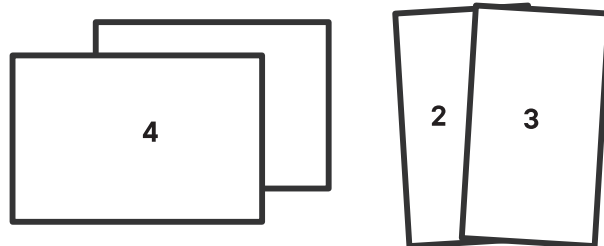
Unzip the bottom cover and locate the 2 Back Cushion Core(5) + 2 Back Cushion Cover (6).

Step 2



COMPONENTS

- 2 Left Arm x1
- 3 Right Arm x1
- 4 Sofa Back x2
- 7 Pillows x2
- 8 Front Legs x2
- 9 Back Legs x2
- 10 Middle Leg x1



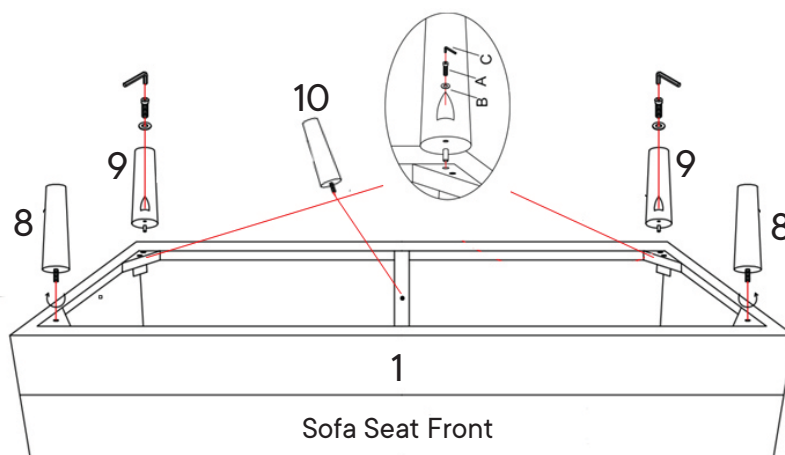
Step 3

HARDWARE

A	Bolt M8 x 60mm	x2
B	Flat Washer M8	x2
C	Allen Wrench M5	x1

COMPONENTS

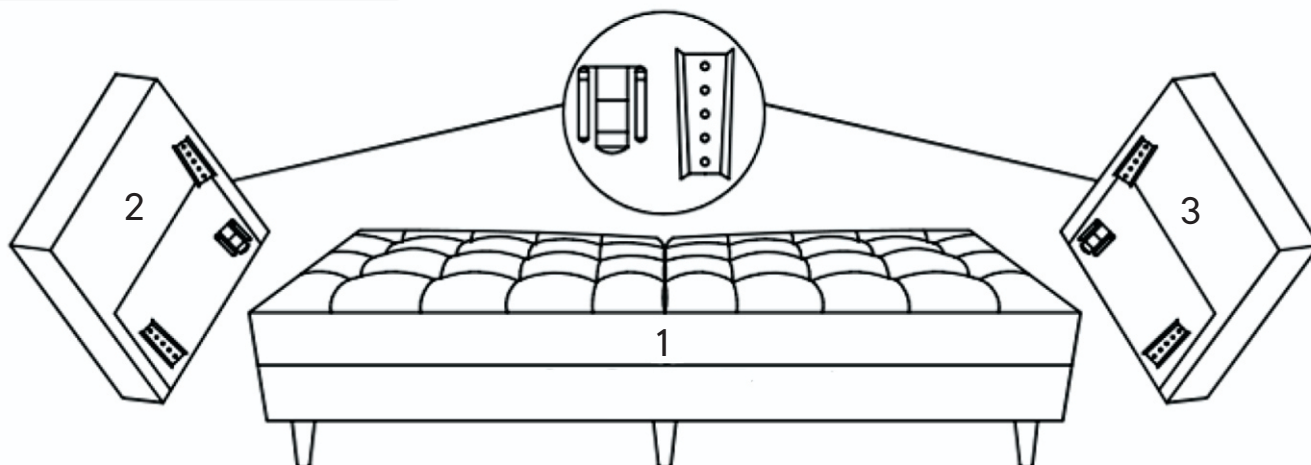
1	Sofa Seat	x1
8	Front Legs	x2
9	Back Legs	x2
10	Middle Leg	x1



Step 4

COMPONENTS

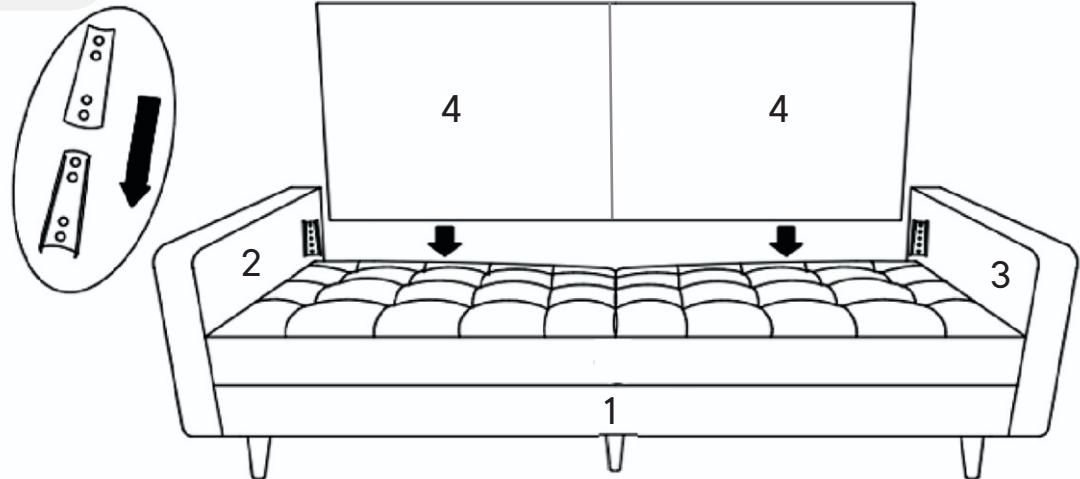
1	Sofa Seat	x1
2	Left Arm	x1
3	Right Arm	x1



Step 5

COMPONENTS

1	Sofa Seat	x1
2	Left Arm	x1
3	Right Arm	x1
4	Sofa Back	x2



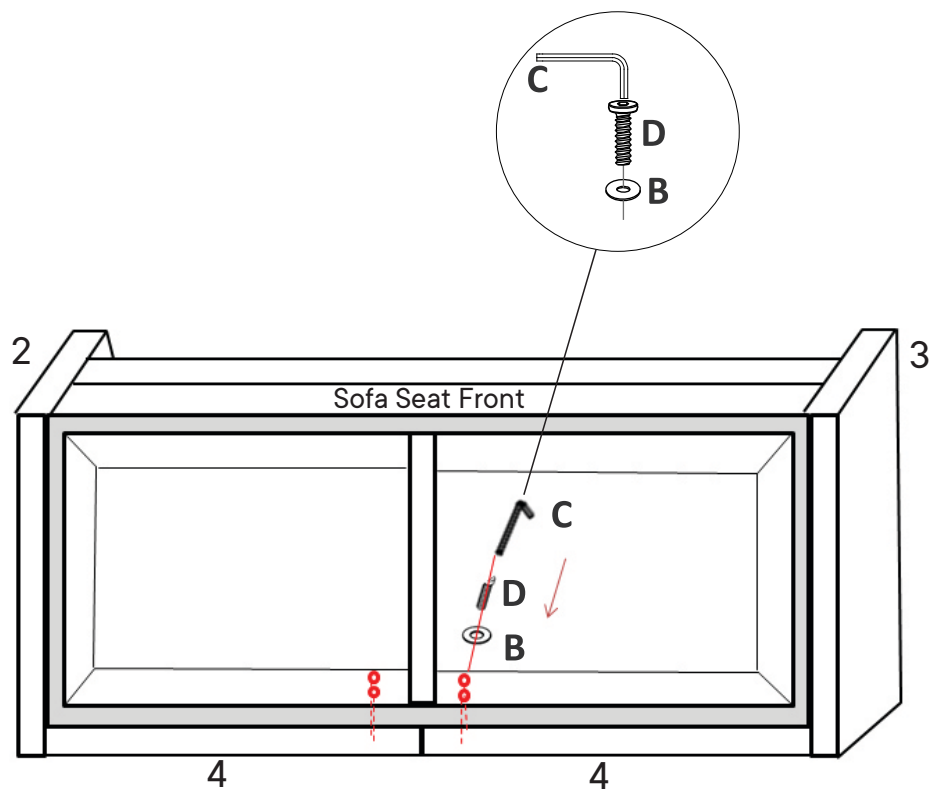
Step 6

HARDWARE

D	Bolt M8 x 45mm	x4
B	Flat Washer M8	x4
C	Allen Wrench M5	x1

COMPONENTS

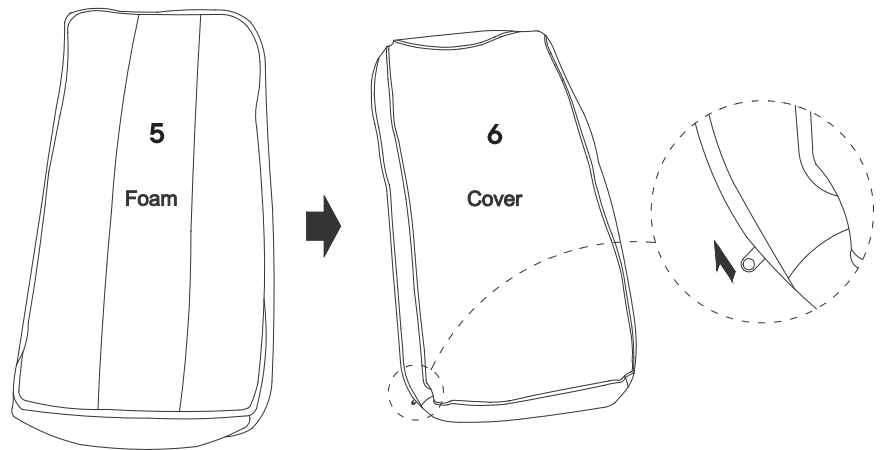
1	Sofa Seat	x1
2	Left Arm	x1
3	Right Arm	x1
4	Sofa Back	x2



Step 7

COMPONENTS

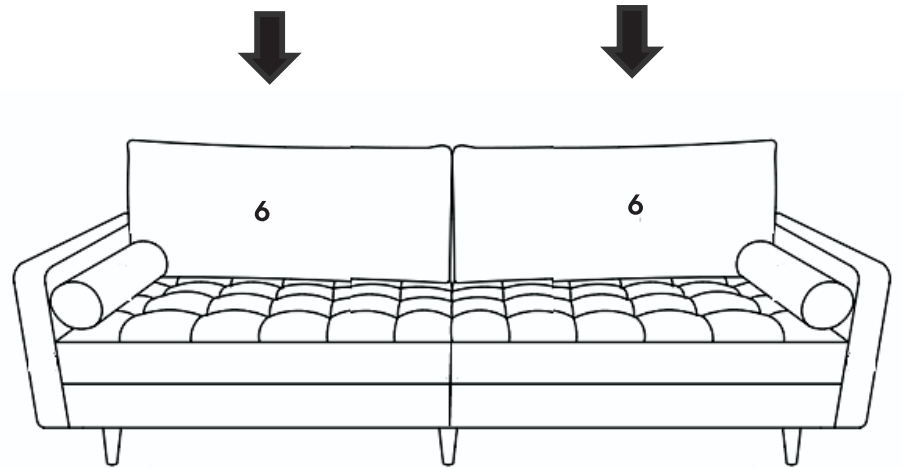
- 5 Back Cushion Core x2
- 6 Back Cushion Cover x2



Step 8

COMPONENTS

- 6 Back Cushion x2



Great job!

Your Sofa is complete.

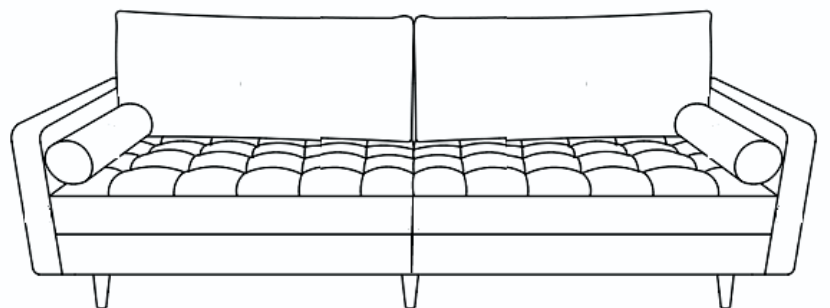
♥ CARING FOR YOUR ITEM

Indoor use only.

Not contract grade.

Clean using a non-abrasive cloth and a mild cleaner.

Never use harsh chemicals, as they could damage the finish or integrity of the item.



CONNECT WITH US!   

Tag us @modway_furniture and #modway for a chance to be featured.