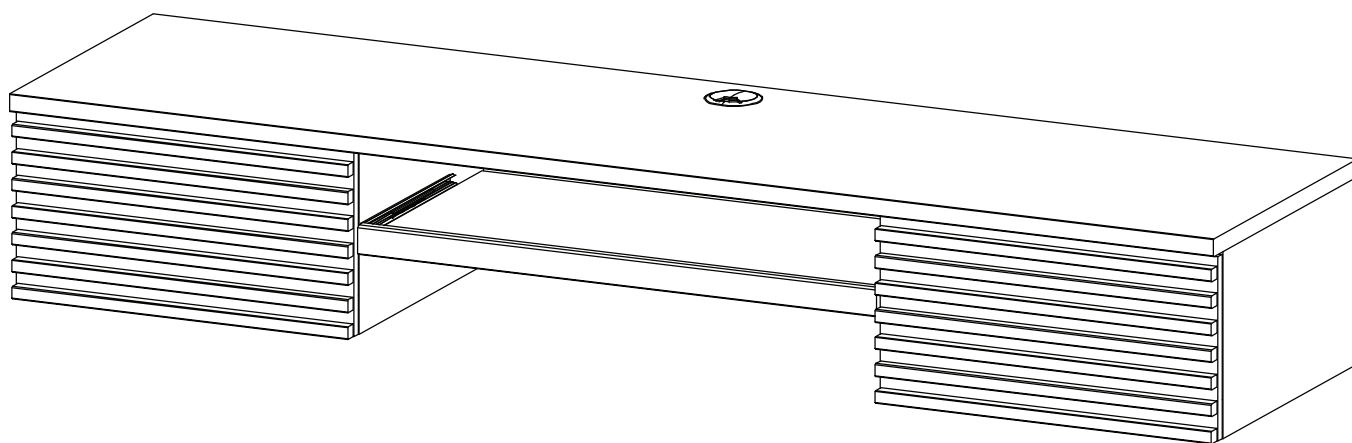


ASSEMBLY INSTRUCTIONS

EEI-5865

V0.09.28.21



Questions? Contact us!

609.256.9000 • cs@modway.com
www.modway.com

*modway

Let's get started!

*modway



Read through all of the instructions before starting



Care instructions are listed in the last step of this manual



Approx. 90 minutes assembly time



Make sure you have all parts and components before discarding any packing materials



2 people recommended for assembly

Only use hand tools to assemble this item. Do not use power tools. Do not tighten bolts or screws completely until all hardware is lined up and inserted into the holes.

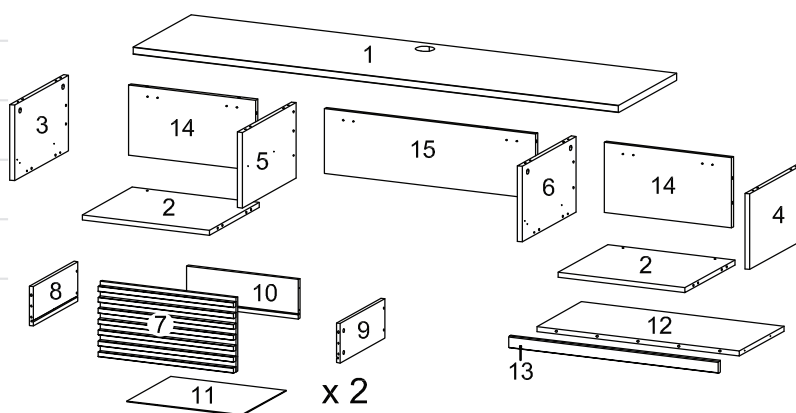
Do not over-tighten screws and bolts to avoid stripping the hardware or cracking the item.

Assemble your item on a flat, carpeted area, with plenty of space to work. This will prevent damage and scratches to your floors or the item while you're assembling the product.

Keep all components and packaging out of reach of children or animals to avoid risk of choking or suffocation.

Furniture components:

1	Top Board	x1	11	Bottom Drawer	x2
2	Bottom Board	x2	12	Keyboard Drawer Base	x1
3	Side Board Left	x1	13	Front Skirt	x1
4	Side Board Right	x1	14	Back Board Small	x2
5	Center Board Left	x1	15	Back Board Big	x1
6	Center Board Right	x1			
7	Front Drawer	x2			
8	Side Drawer Left	x2			
9	Side Drawer Right	x2			
10	Back Drawer	x2			



Provided hardware:

A		Cam Bolt $\varnothing 6 \times 35$ mm	x23	J		Cam Bolt $\varnothing 6 \times 32$ mm	x8	RM30A		Drawer Runner	x2
B		Cam Lock $\varnothing 15$ mm	x23	K		JCN Nut	x12	PA63		Long Bracket	x1
C		Cam Lock $\varnothing 12$ mm	x8	L		Screw M 3.5 x 15.5 mm	x8	PA37		Medium Bracket	x2
D		Wood Dowel $\varnothing 8 \times 30$ mm	x40	M		Wedge	x8	PA05		Short Bracket	x6
E		Wood Dowel $\varnothing 6 \times 30$ mm	x4	N		Grommet Cover	x1	RB25A		Keyboard Drawer Runner	x1
F		Screw M 6 x 10.5 mm	x20	O		Screw 5.5 x 45 mm	x16				
G		Screw M 3.5 x 13 mm	x12	P		Wall Plug	x16				
H		Screw M 8 x 39 mm	x8	Q		Screw M 6 x 15 mm	x12				
I		Allen Key	x2	R		Wall Mounted Bolt	x2				

What you need:

Phillips Head Screwdriver

Wait!

Missing parts or hardware? Need assistance?
Contact us before returning your item. We're here to help!
609.256.9000 • cs@modway.com

Step 1

HARDWARE

E Wood Dowel Ø6 x 30 mm x4

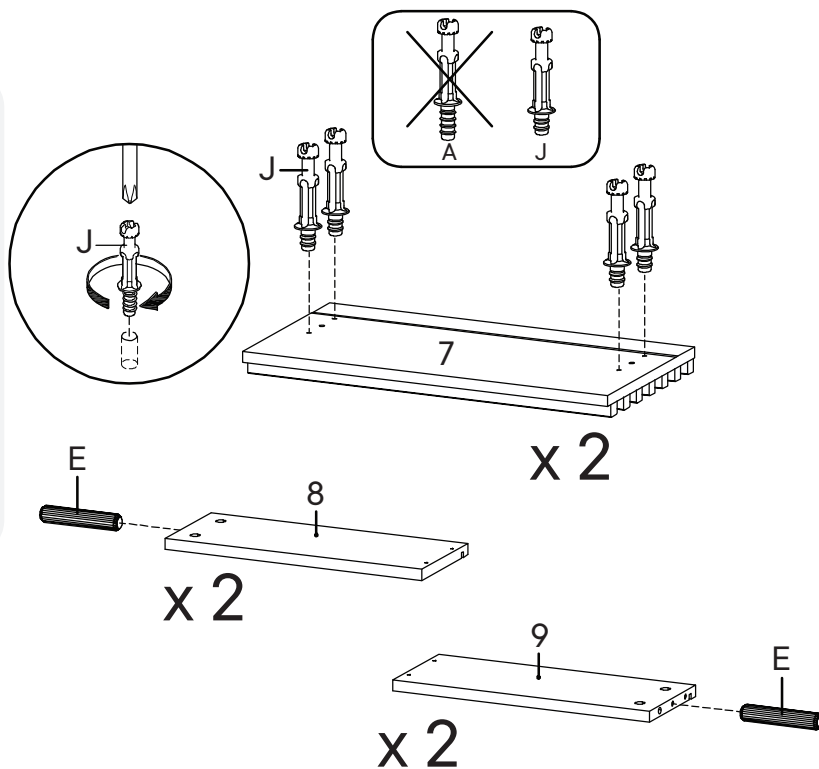
J Cam Bolt Ø6 x 32 mm x8

COMPONENTS

7 Front Drawer x2

8 Side Drawer Left x2

9 Side Drawer Right x2



Step 2

HARDWARE

C Cam Lock Ø12 mm x8

H Screw M 8 x 39 mm x8

COMPONENTS

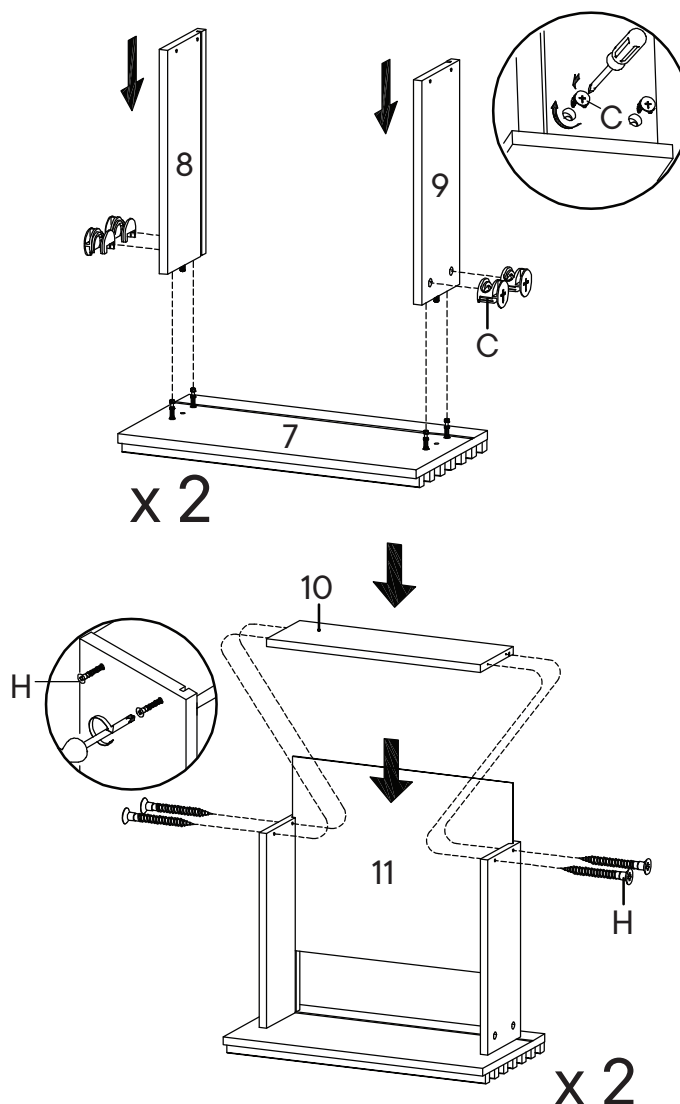
7 Front Drawer x2

8 Side Drawer Left x2

9 Side Drawer Right x2

10 Back Drawer x2

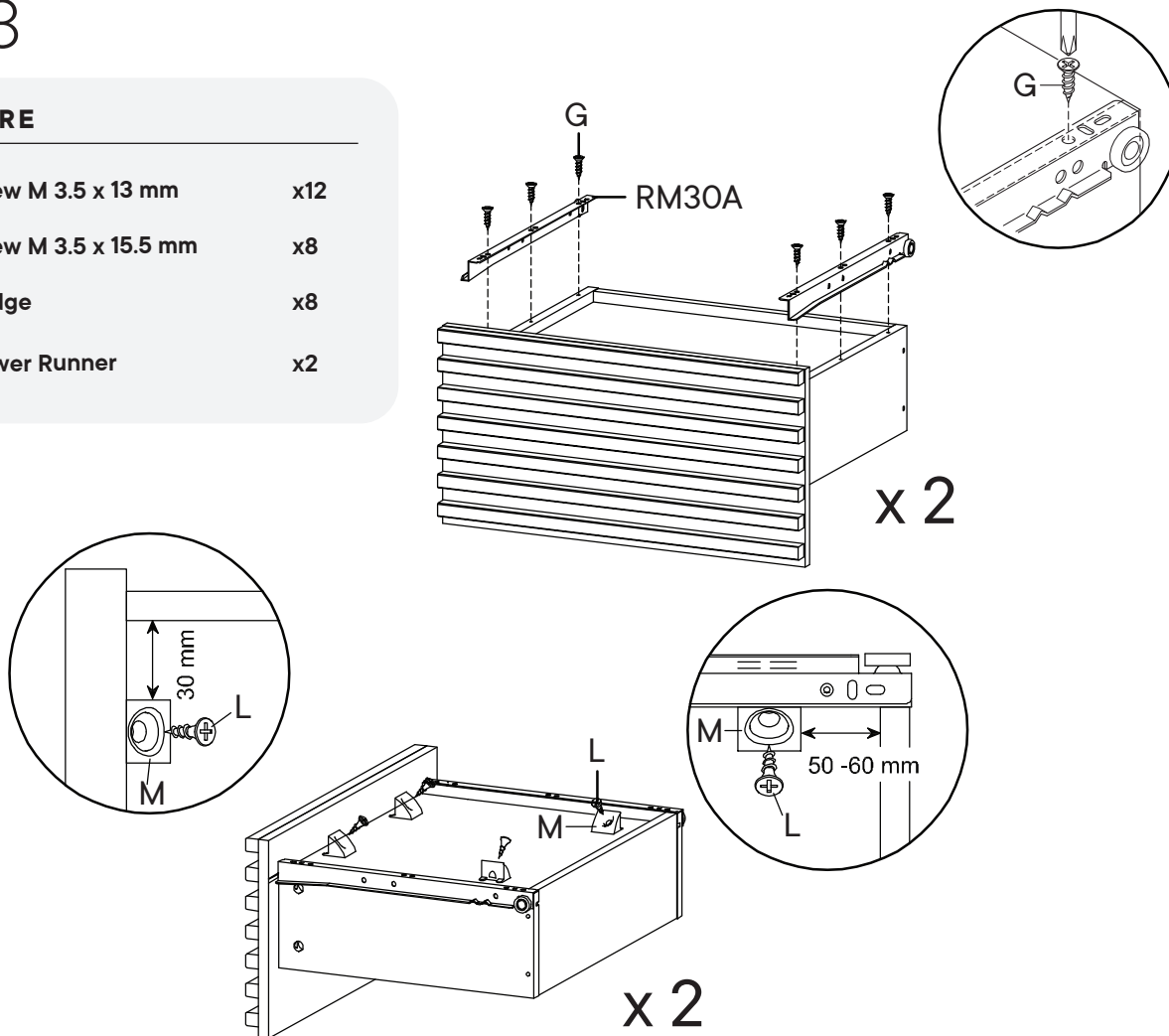
11 Bottom Drawer x2



Step 3

HARDWARE

G	Screw M 3.5 x 13 mm	x12
L	Screw M 3.5 x 15.5 mm	x8
M	Wedge	x8
RM30A	Drawer Runner	x2



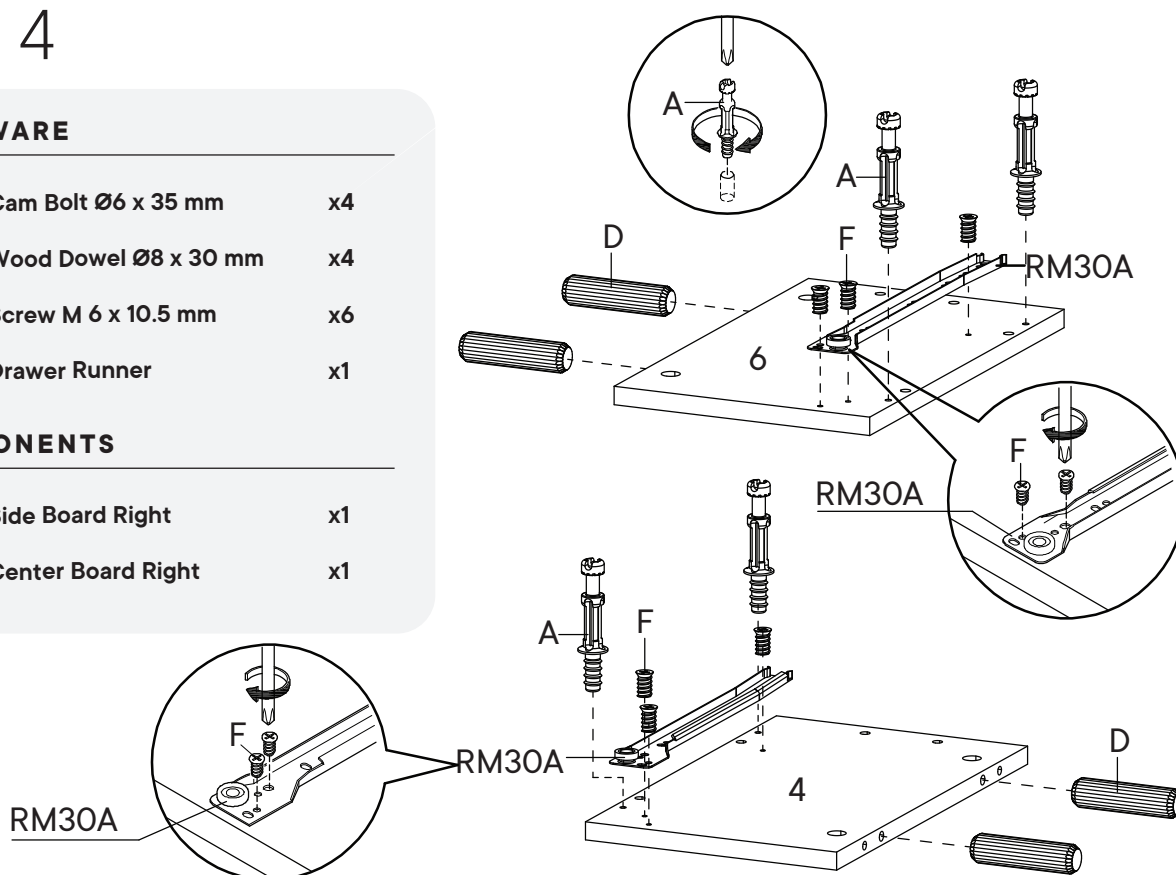
Step 4

HARDWARE

A	Cam Bolt $\varnothing 6$ x 35 mm	x4
D	Wood Dowel $\varnothing 8$ x 30 mm	x4
F	Screw M 6 x 10.5 mm	x6
RM30A	Drawer Runner	x1

COMPONENTS

4	Side Board Right	x1
6	Center Board Right	x1



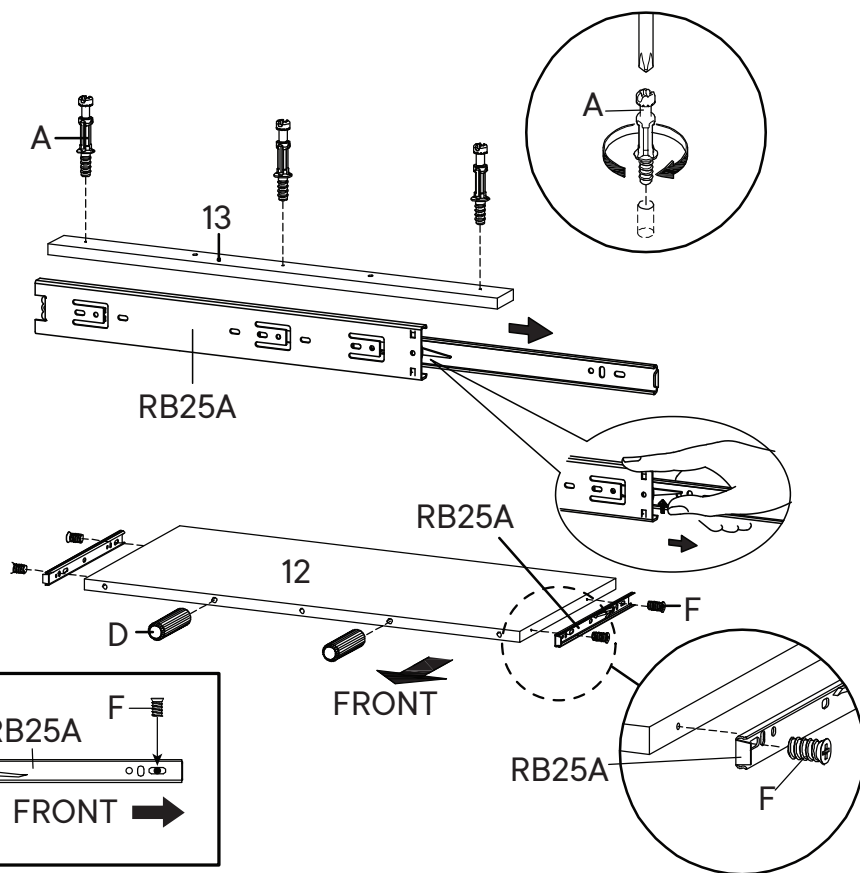
Step 5

HARDWARE

- A** Cam Bolt $\varnothing 6 \times 35$ mm x3
- D** Wood Dowel $\varnothing 8 \times 30$ mm x2
- F** Screw M 6 x 10.5 mm x4
- RB25A** Keyboard Drawer Runner x1

COMPONENTS

- 12** Keyboard Drawer Base x1
- 13** Front Skirt x1



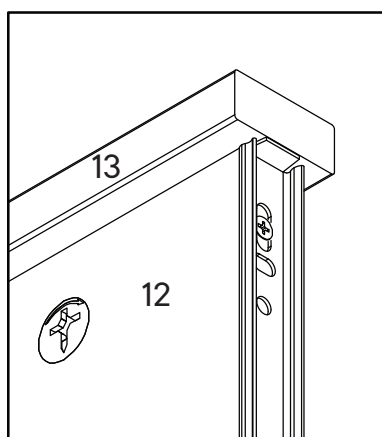
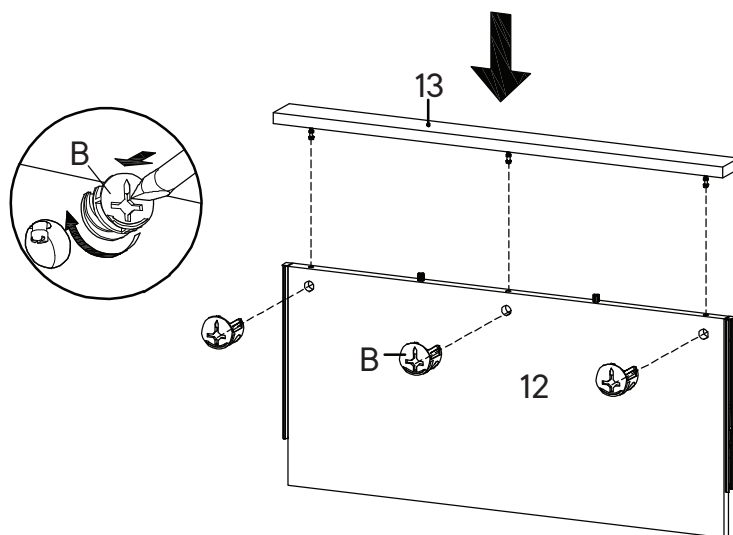
Step 6

HARDWARE

- B** Cam Lock $\varnothing 15$ mm x3

COMPONENTS

- 12** Keyboard Drawer Base x1
- 13** Front Skirt x1



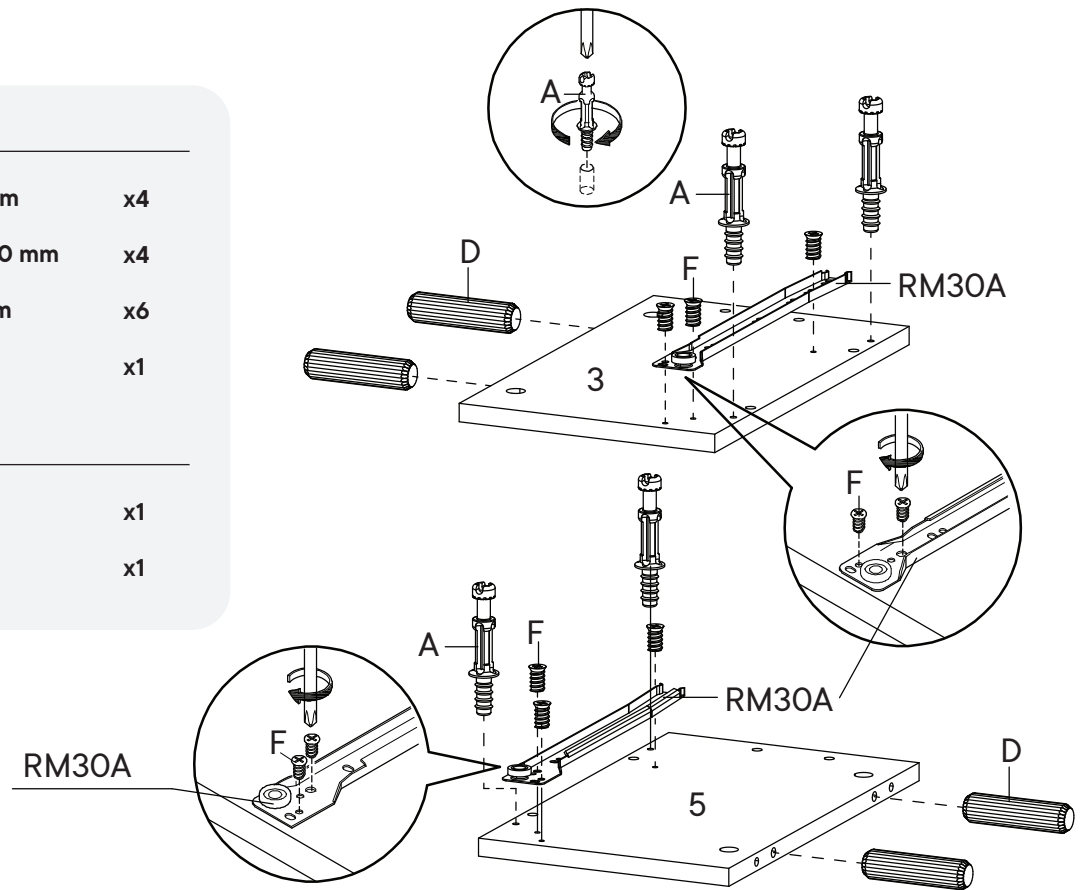
Step 7

HARDWARE

- A** Cam Bolt $\varnothing 6 \times 35$ mm x4
- D** Wood Dowel $\varnothing 8 \times 30$ mm x4
- F** Screw M 6 x 10.5 mm x6
- RM30A** Drawer Runner x1

COMPONENTS

- 3** Side Board Left x1
- 5** Center Board Left x1



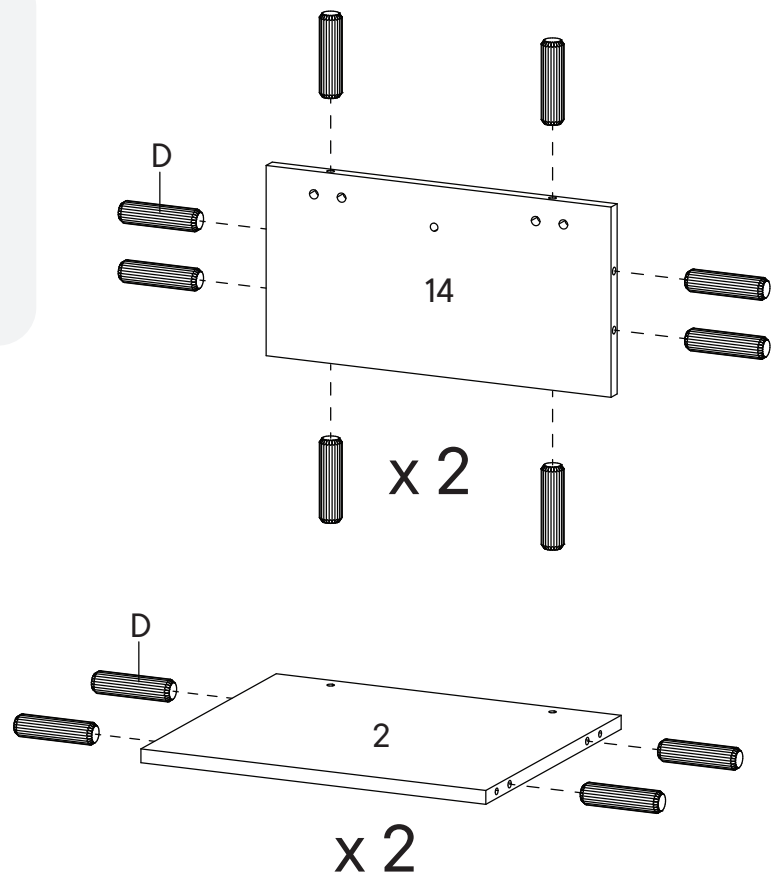
Step 8

HARDWARE

- D** Wood Dowel $\varnothing 8 \times 30$ mm x24

COMPONENTS

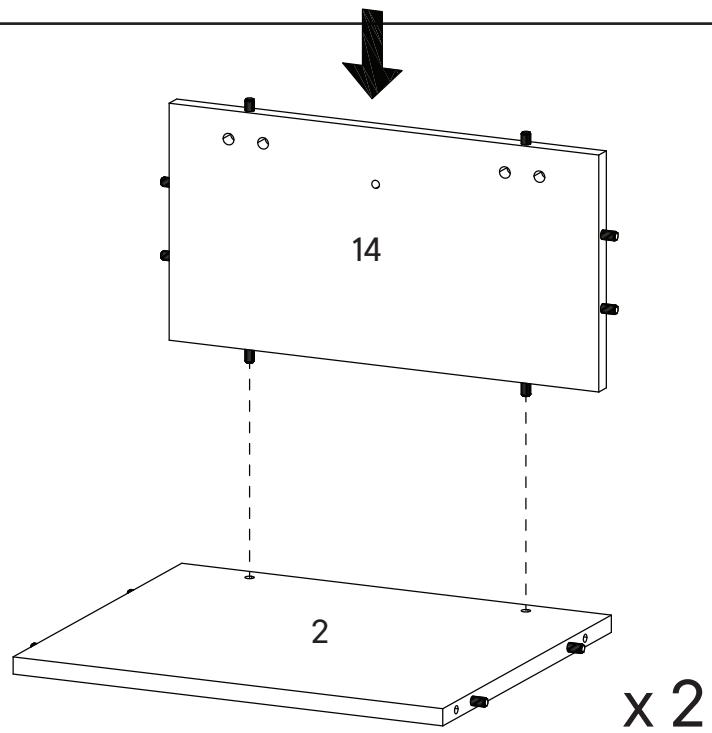
- 2** Bottom Board x2
- 14** Back Board Small x2



Step 9

COMPONENTS

- 2 Bottom Board x2
- 14 Back Board Small x2



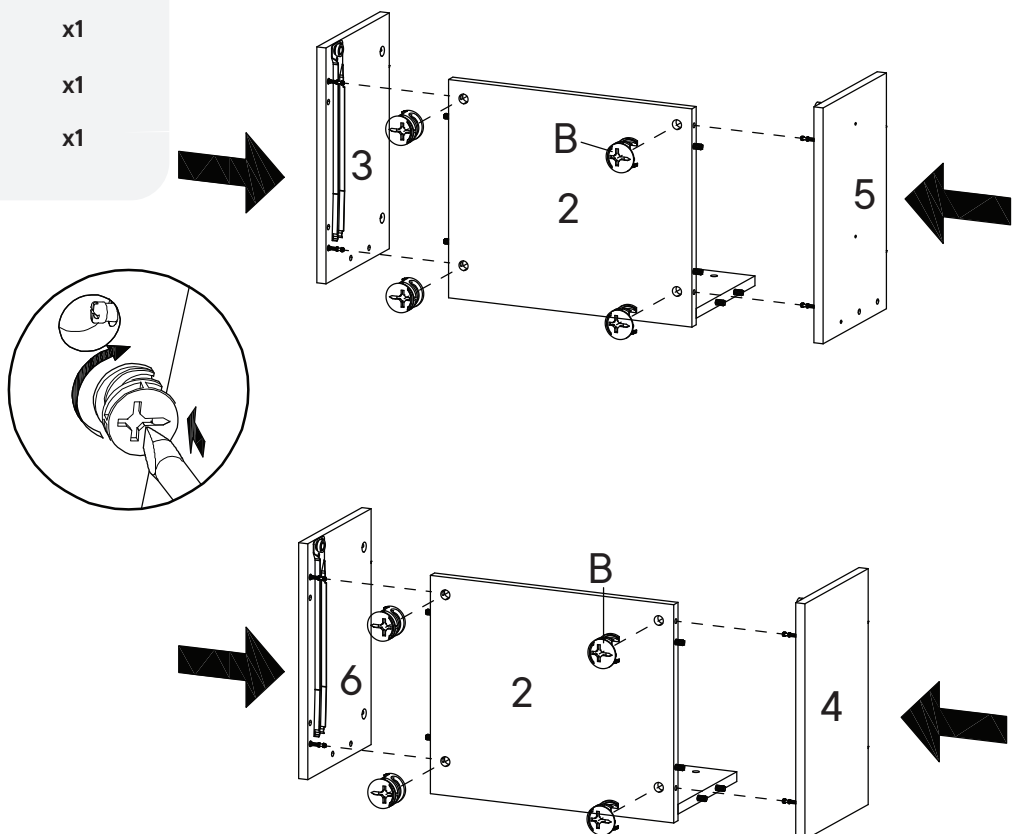
Step 10

HARDWARE

- B Cam Lock Ø15 mm x8

COMPONENTS

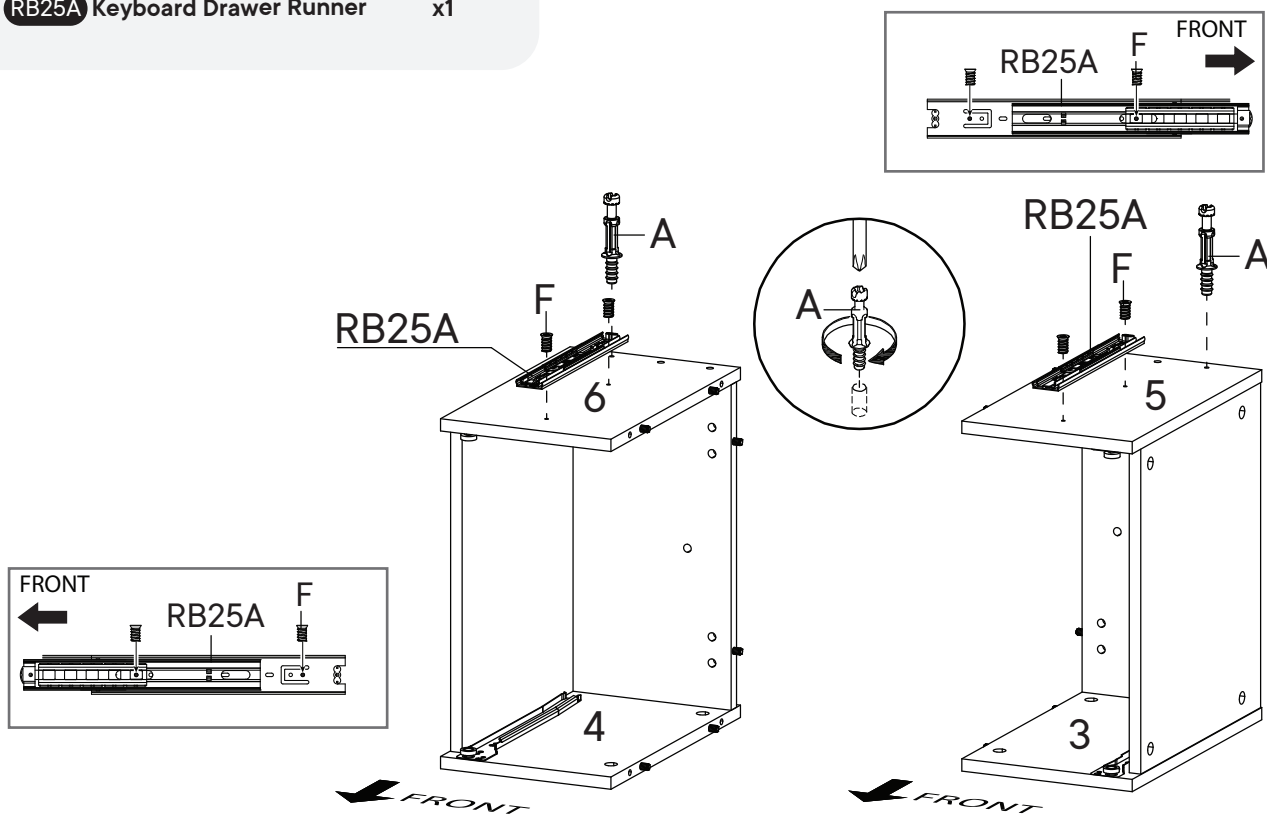
- 3 Side Board Left x1
- 4 Side Board Right x1
- 5 Center Board Left x1
- 6 Center Board Right x1



Step 11

HARDWARE

- A** Cam Bolt Ø6 x 35 mm x2
- F** Screw M 6 x 10.5 mm x4
- RB25A** Keyboard Drawer Runner x1



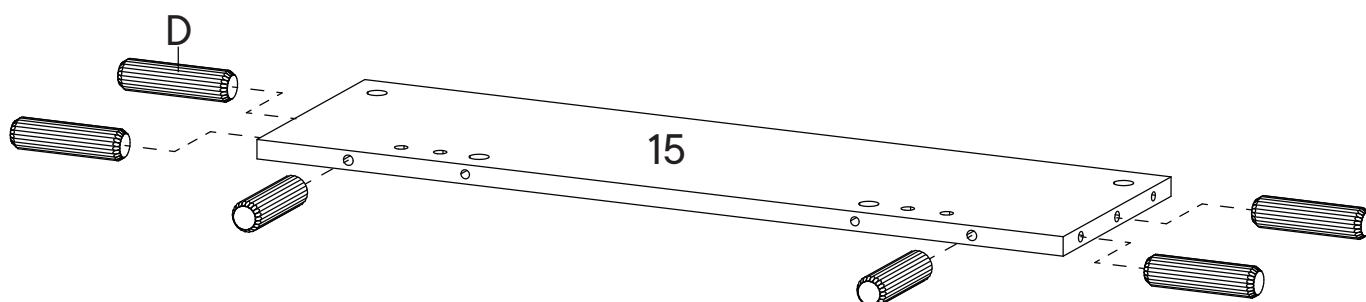
Step 12

HARDWARE

- D** Wood Dowel Ø8 x 30 mm x6

COMPONENTS

- 15** Back Board Big x1



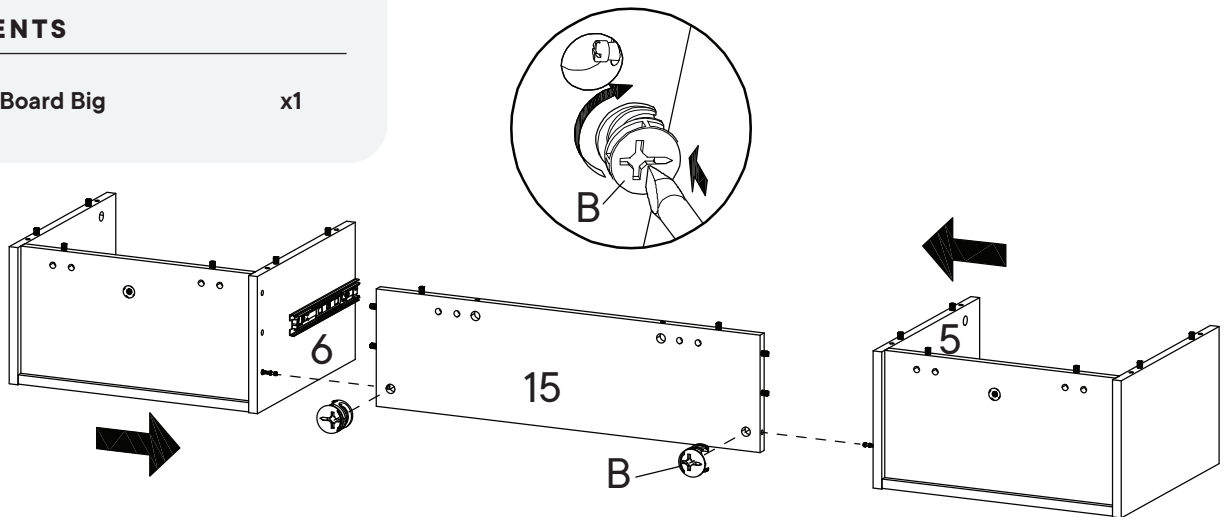
Step 13

HARDWARE

B Cam Lock Ø15 mm x2

COMPONENTS

15 Back Board Big x1



Step 14

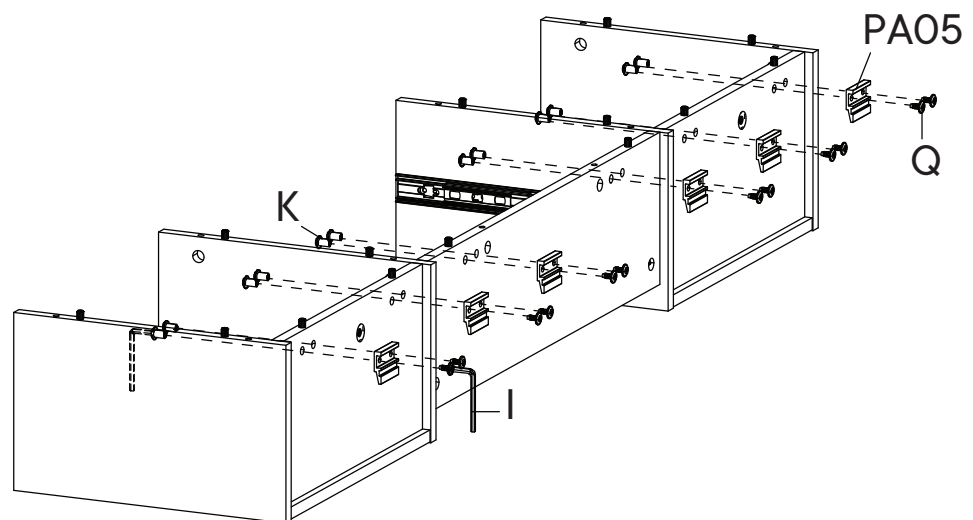
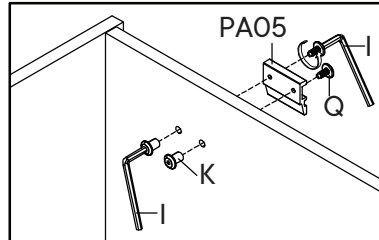
HARDWARE

I Allen Key x2

K JCN Nut x12

Q Screw M 6 x 15 mm x12

PA05 Short Bracket x6



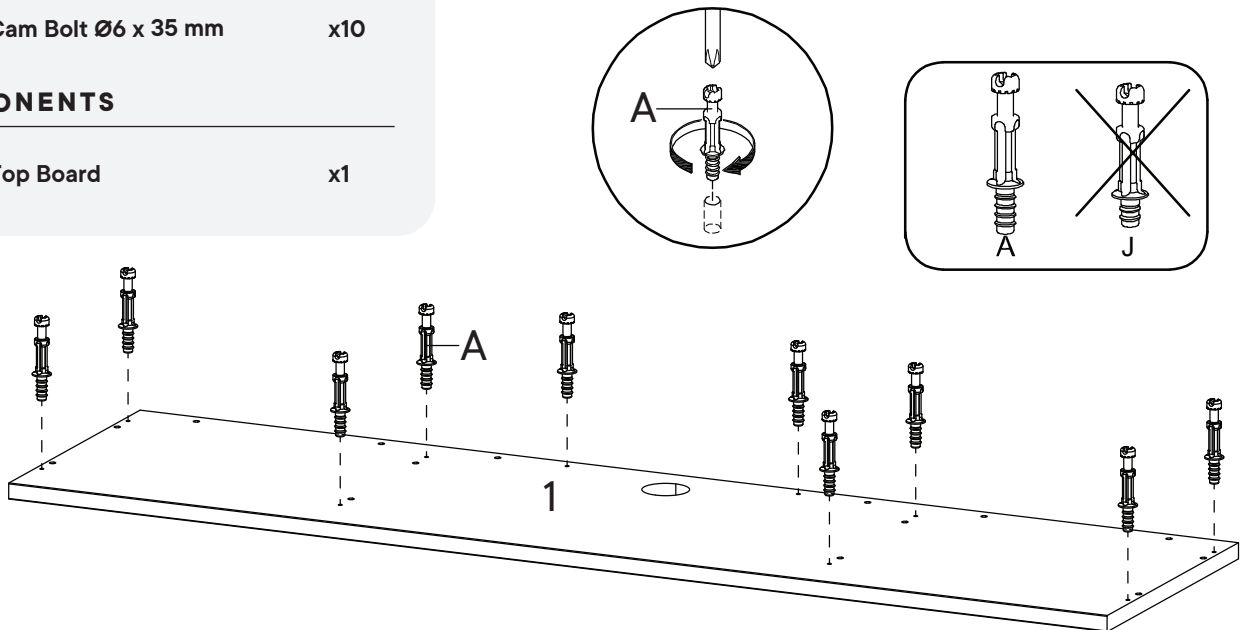
Step 15

HARDWARE

A Cam Bolt $\varnothing 6 \times 35$ mm x10

COMPONENTS

1 Top Board x1



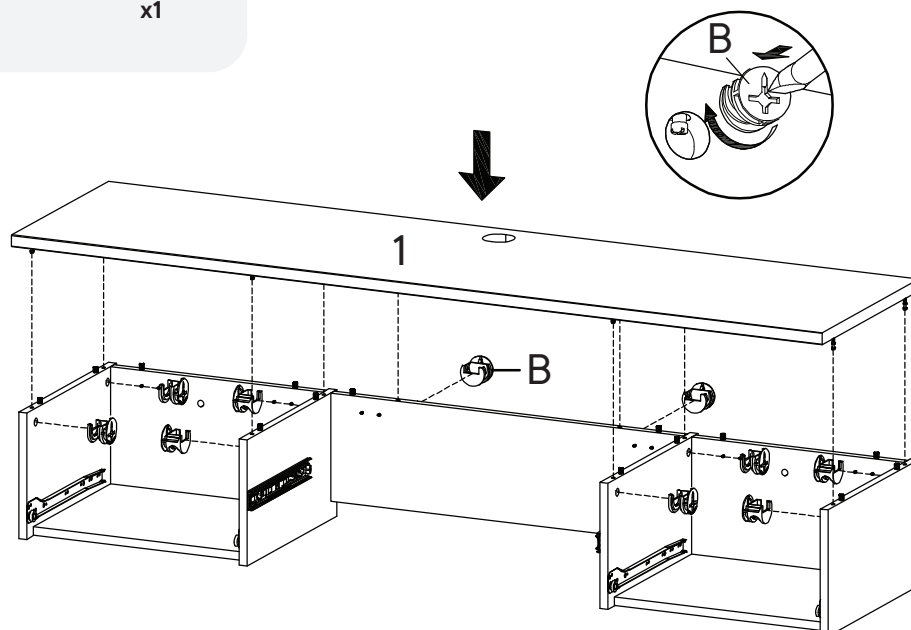
Step 16

HARDWARE

B Cam Lock $\varnothing 15$ mm x10

COMPONENTS

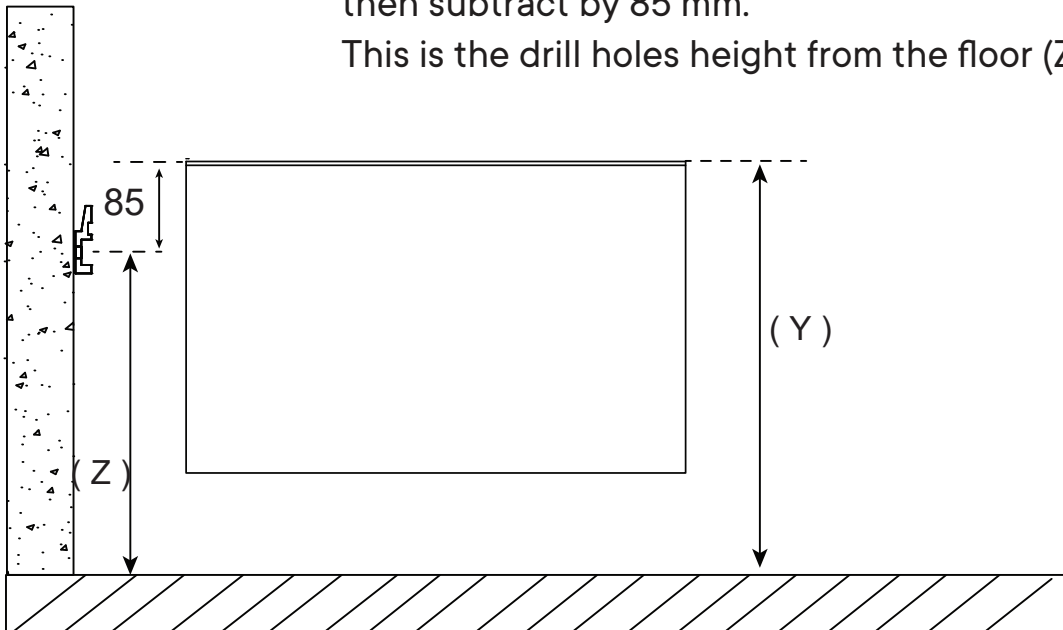
1 Top Board x1



Step 17

Determine your desired height (Y), recommended at 760 mm, then subtract by 85 mm.

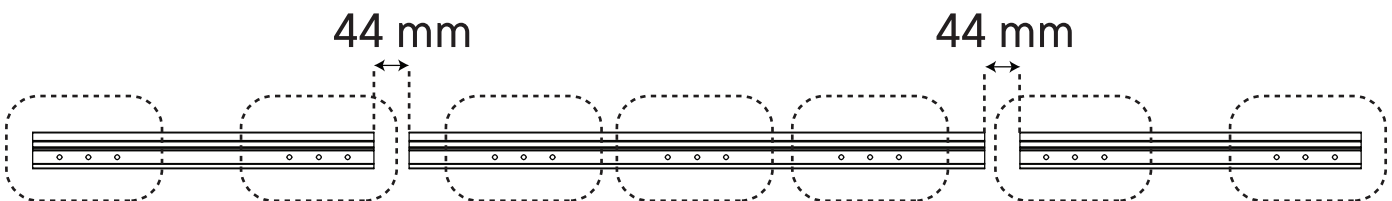
This is the drill holes height from the floor (Z).



Step 18

Please use minimum 2 holes on each group of the Medium Bracket and Long Bracket, and minimum 1 hole, to apply the wall plug and screw. Use additional holes when necessary.

* Long Bracket and Medium Bracket



Different wall materials require unique wall fasteners.

The wall plugs (P) and screws (O) are designed for fixing to concrete walls only.

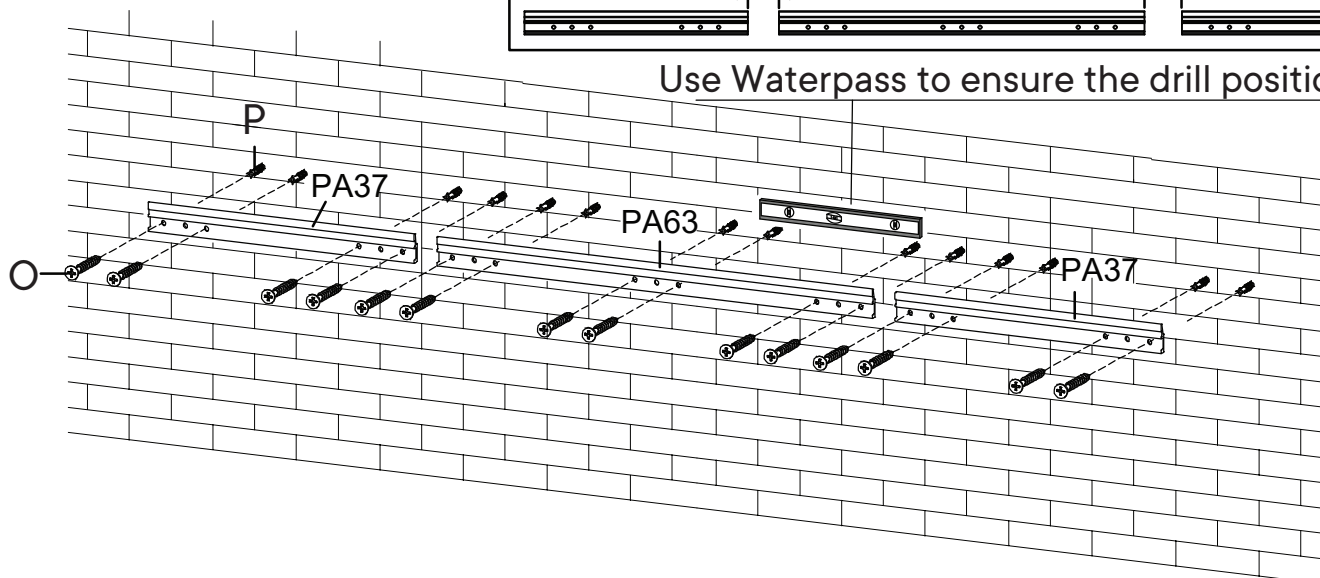
Please consult your local hardware store to ensure you are using the correct hardware for your wall type.

Step 19

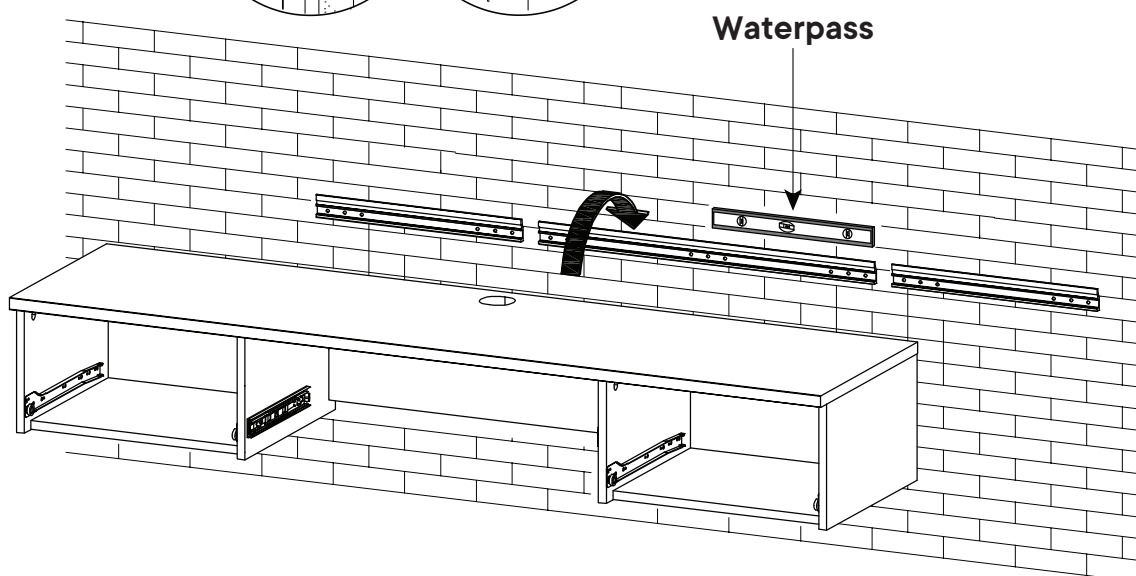
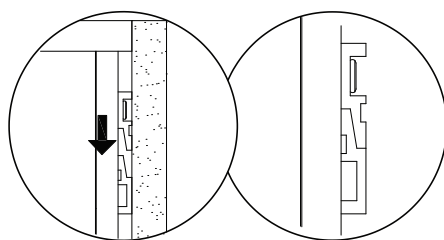
HARDWARE

- O** Screw 5.5 x 45 mm x14
- P** Wall Plug x14
- PA37** Medium Bracket x2
- PA63** Long Bracket x1

Attention to the distance to attach the long bracket to the wall
44 mm 44 mm



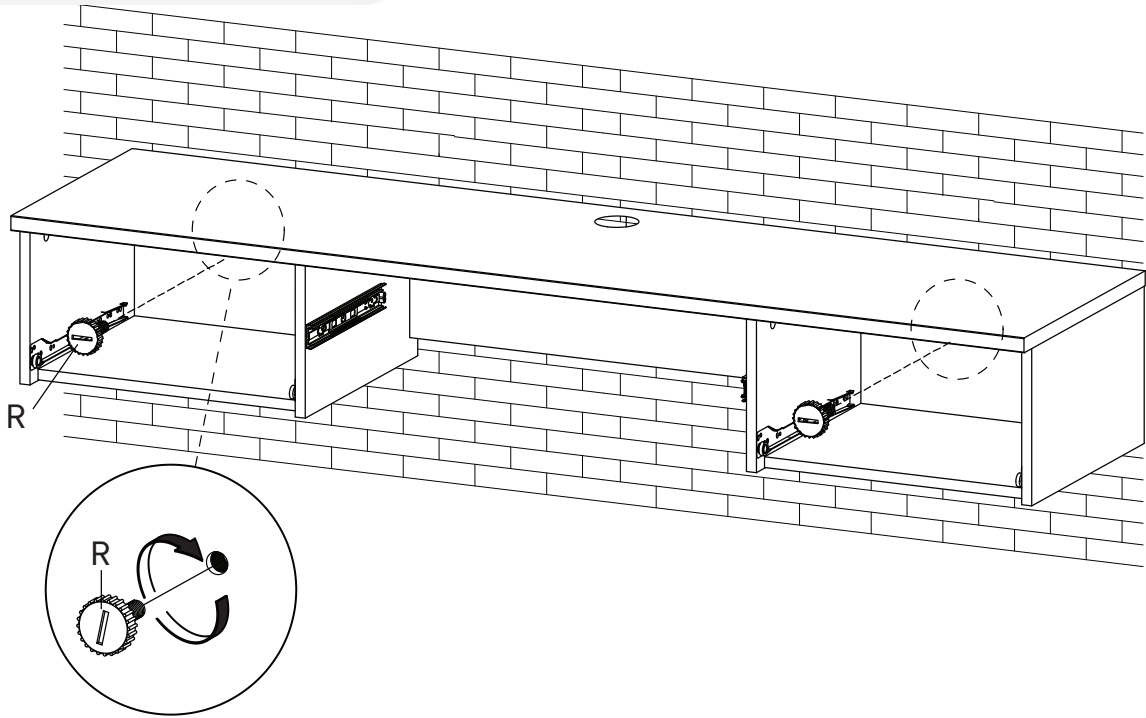
Step 20



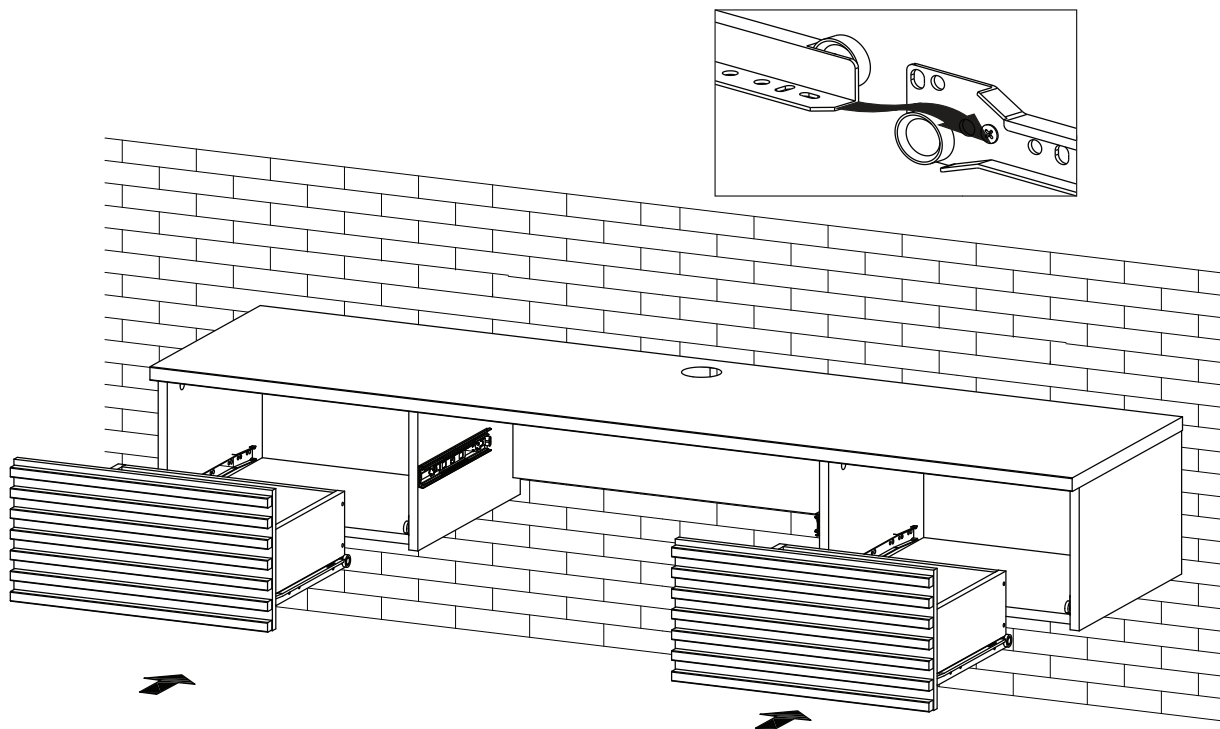
Step 21

HARDWARE

R Wall Mounted Bolt x2



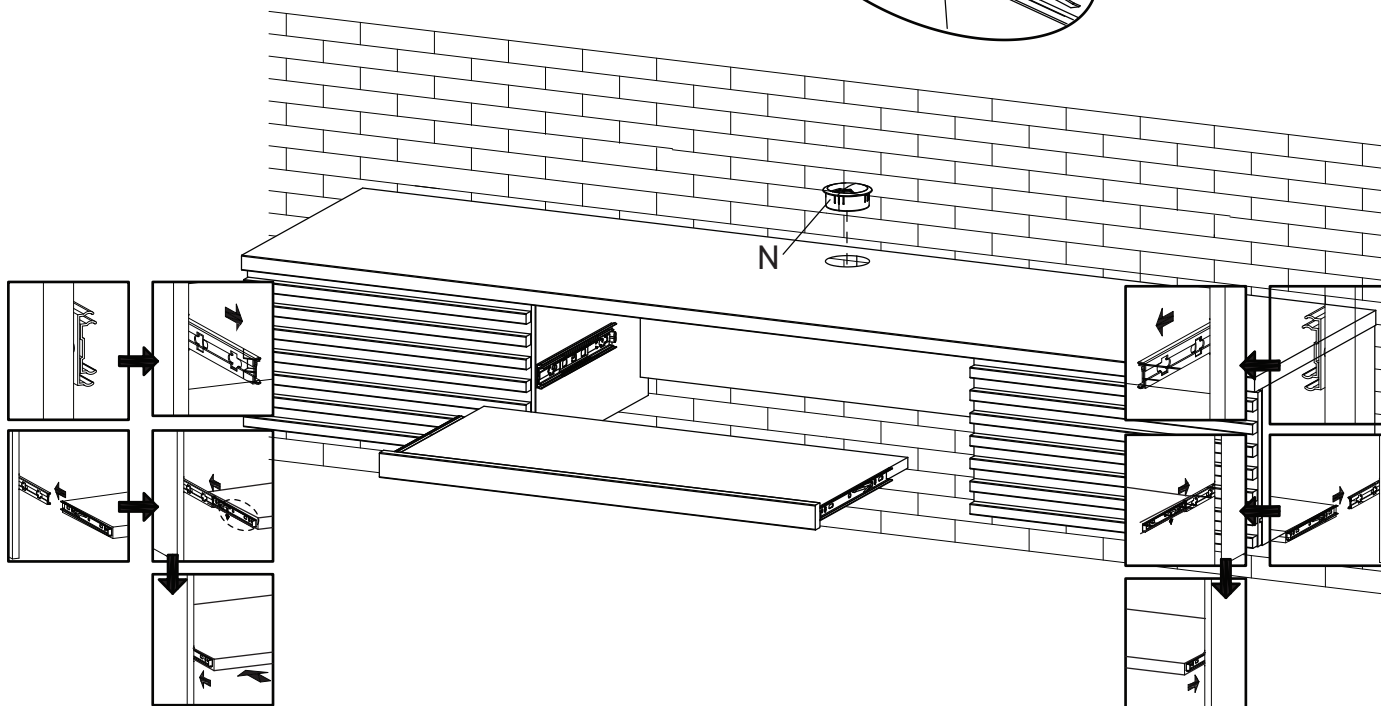
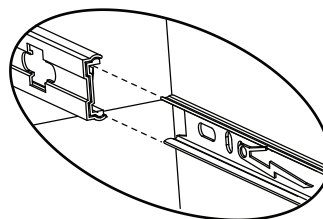
Step 22



Step 23

HARDWARE

N Grommet Cover x1



Great job!

Desk assembly is complete.

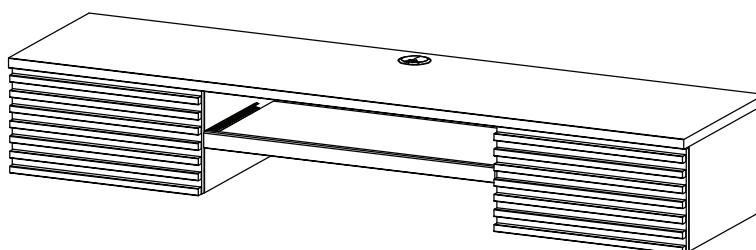
♥ CARING FOR YOUR ITEM

Indoor use only.

Not contract grade.

Clean using a non-abrasive cloth and a mild cleaner.

Never use harsh chemicals, as they could damage the finish or integrity of the item.



CONNECT WITH US!   

Tag us @modway_furniture and #modway for a chance to be featured.