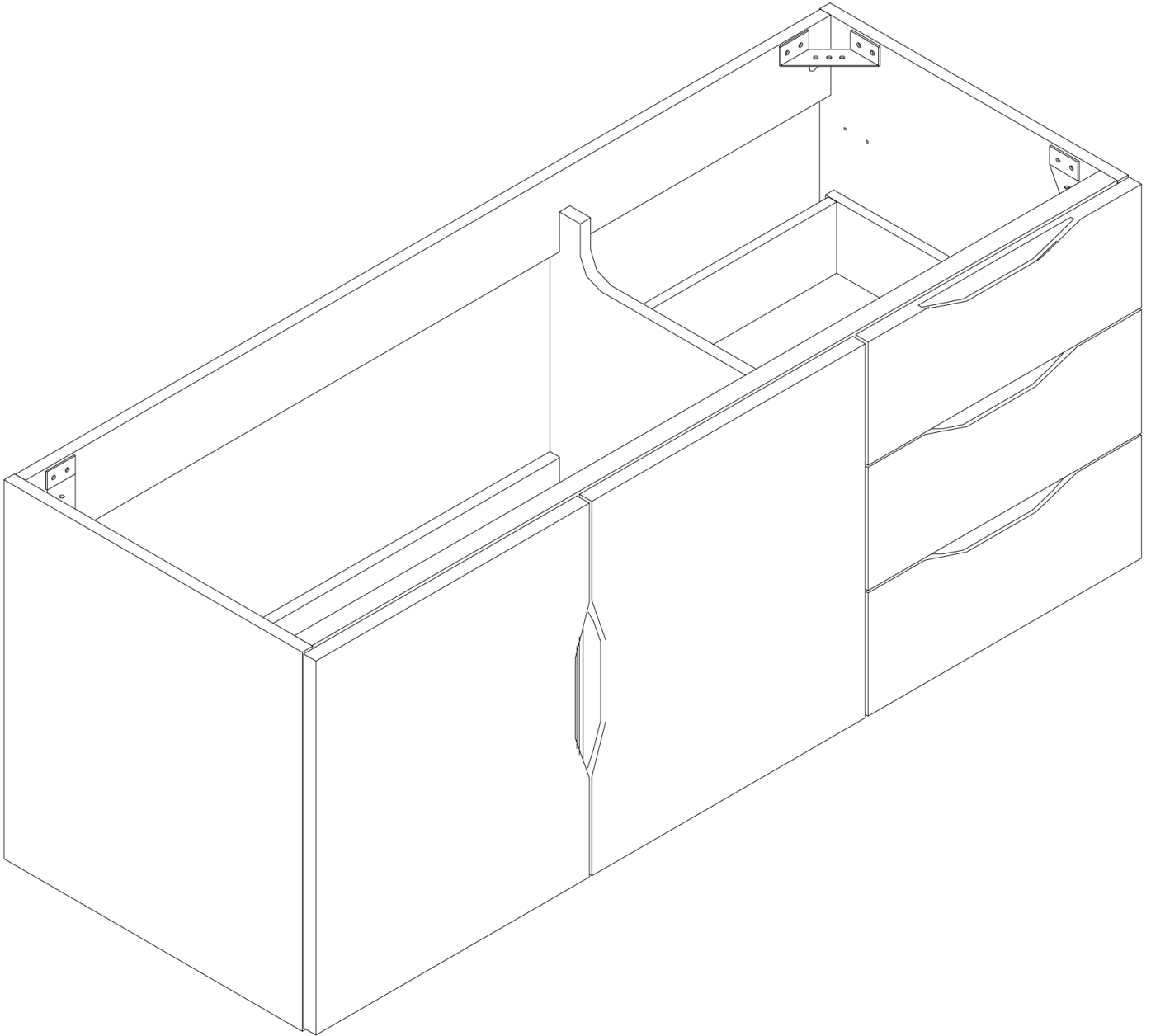


ASSEMBLY INSTRUCTIONS

EEI-4894

V1.05.06.21



Questions? Contact us!

609.256.9000 • cs@modway.com
www.modway.com

***modway**

Let's get started!

*modway



Read through all of the instructions before starting



Care instructions are listed in the last step of this manual



Approx. 90 minutes assembly time



Make sure you have all parts and components before discarding any packing materials



2 people recommended for assembly

Only use hand tools to assemble this item. Do not use power tools. Do not tighten bolts or screws completely until all hardware is lined up and inserted into the holes.

Do not over-tighten screws and bolts to avoid stripping the hardware or cracking the item.

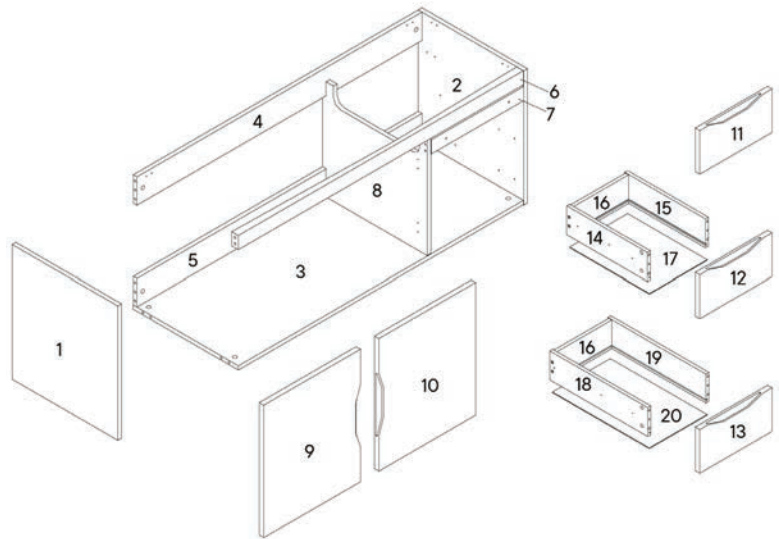
For vanity and plumbing installation, we suggest hiring a professional contractor and plumber.

Assemble your item on a flat, carpeted area, with plenty of space to work. This will prevent damage and scratches to your floors or the item while you're assembling the product.

Keep all components and packaging out of reach of children or animals to avoid risk of choking or suffocation.

Furniture components:

1	Left Side Panel	x1	11	Drawer Front 1	x1
2	Right Side Panel	x1	12	Drawer Front 2	x1
3	Bottom Panel	x1	13	Drawer Front 3	x1
4	Back Panel 1	x1	14	Drawer Side L 1	x1
5	Back Panel 2	x1	15	Drawer Side R 1	x1
6	Front Support	x1	16	Drawer Back	x2
7	Support Panel	x1	17	Drawer Panel 1	x1
8	Center Panel	x1	18	Drawer Side L 2	x1
9	Door Panel Left	x1	19	Drawer Side R 2	x1
10	Door Panel Right	x1	20	Drawer Panel 2	x1



Provided hardware:

A		Wood Dowel M8 x 25mm	x16	H		Corner Bracket	x4	O		Wood Dowel M6 x 25mm	x4
B		Cam Bolt Ø6 x 24mm	x19	I		Bracket-L/Hanger	x1	P		Door Hinge (Half Overlay)	x2
C		Cam Lock Ø15	x11	J		Bracket-R/Hanger	x1	Q		Bearing Runner 300mm	x1 Pair
D		Screw 9 x 38mm	x16	K		Screw 4 x 28mm	x4	R		Rubber Pad	x6
E		Screw 4 x 25mm	x2	L		Bearing Runner 400mm	x1 Pair				
F		Screw 4 x 14mm	x40	M		Screw 4 x 12mm	x26				
G		Door Hinge (Full Overlay)	x2	N		Cam Lock Ø12	x8				

What you need:

Phillips Head Screwdriver

You may also need:

- + Power Drill
- + Level
- + Silicone Adhesive or Caulk
- + Drywall Anchors and Screws
- + Other Wall-Mounting Hardware

Wait!

Missing parts or hardware? Need assistance?
Contact us before returning your item. We're here to help!
609.256.9000 • cs@modway.com

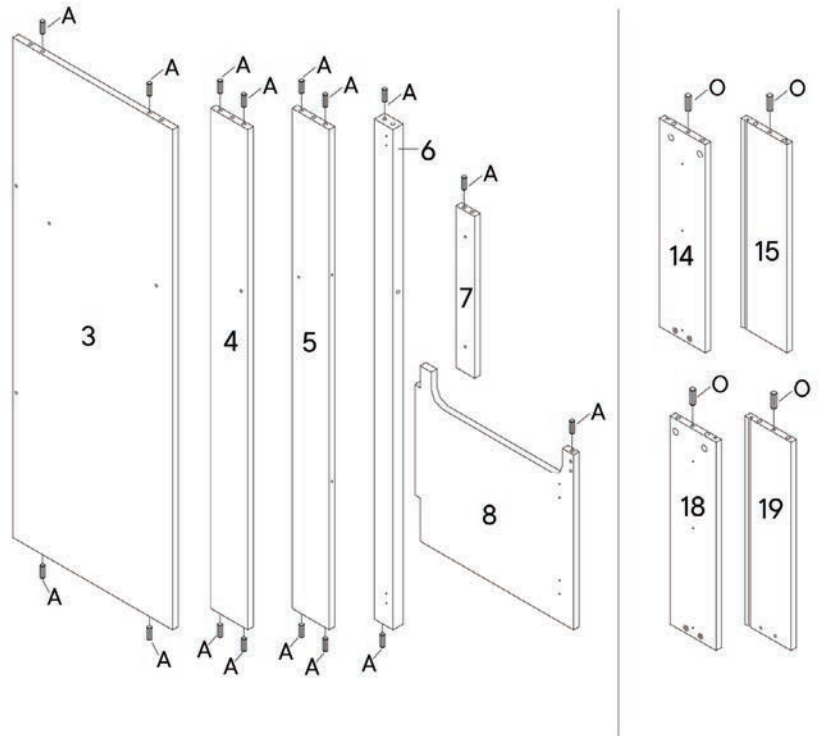
Step 1

HARDWARE

- A** Wood Dowel M8 x 25mm x16
- O** Wood Dowel M6 x 25mm x4

COMPONENTS

- 3** Bottom Panel x1
- 4** Back Panel 1 x1
- 5** Back Panel 2 x1
- 6** Front Support x1
- 7** Support Panel x1
- 8** Center Panel x1
- 14** Drawer Side L 1 x1
- 15** Drawer Side R 1 x1
- 18** Drawer Side L 2 x1
- 19** Drawer Side R 2 x1



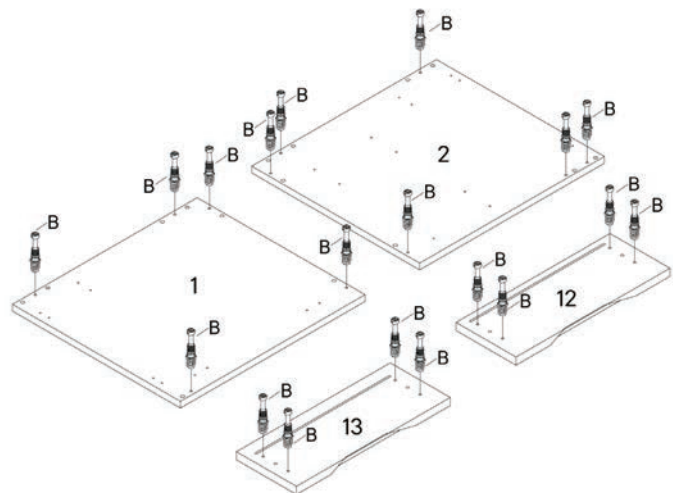
Step 2

HARDWARE

- B** Cam Bolt Ø6 x 24mm x19

COMPONENTS

- 1** Left Side Panel x1
- 2** Right Side Panel x1
- 12** Drawer Front 2 x1
- 13** Drawer Front 3 x1



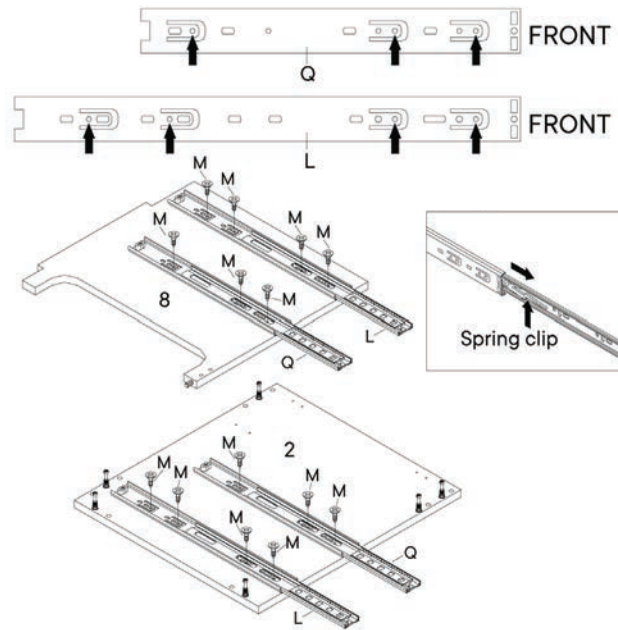
Step 3

HARDWARE

- L** Bearing Runner 400mm x1 Pair
- M** Screw 4 x 12mm x14
- Q** Bearing Runner 300mm x1 Pair

COMPONENTS

- 2** Right Side Panel x1
- 8** Center Panel x1



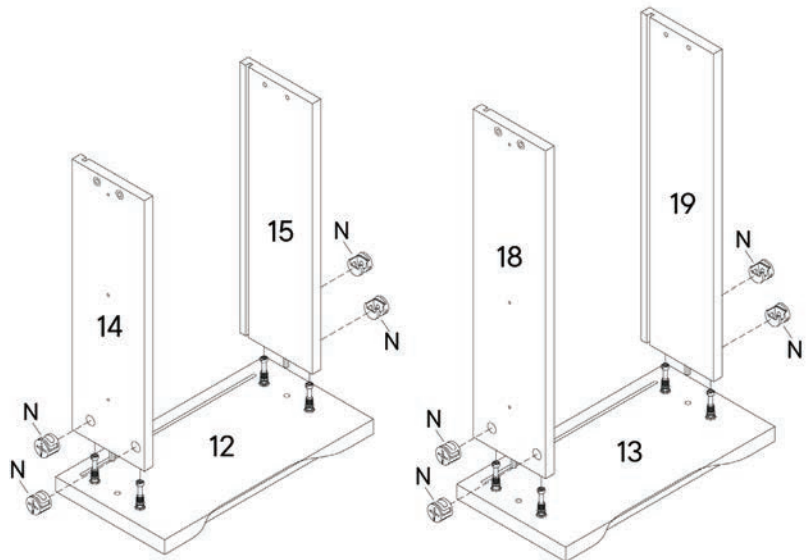
Step 4

HARDWARE

- N** Cam Lock Ø12 x8

COMPONENTS

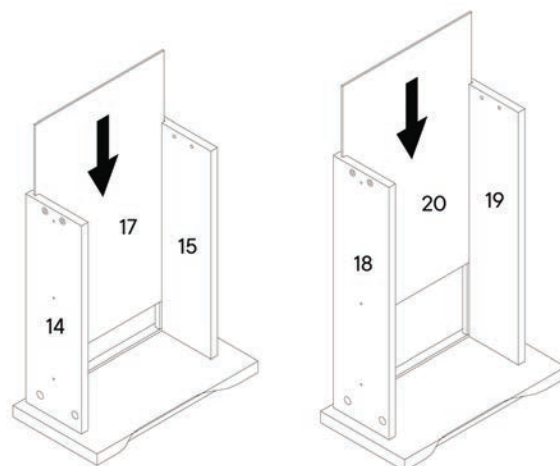
- 12** Drawer Front 2 x1
- 13** Drawer Front 3 x1
- 14** Drawer Side L 1 x1
- 15** Drawer Side R 1 x1
- 18** Drawer Side L 2 x1
- 19** Drawer Side R 2 x1



Step 5

COMPONENTS

- 17** Drawer Panel 1 x1
- 20** Drawer Panel 2 x1



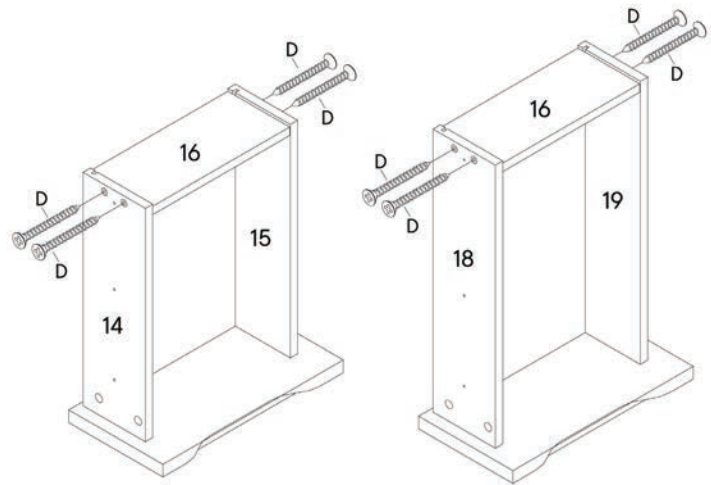
Step 6

HARDWARE

D Screw 9 x 38mm x8

COMPONENTS

16 Drawer Back x2



Step 7

HARDWARE

L Bearing Runner 400mm x1 Pair

M Screw 4 x 12mm x12

Q Bearing Runner 300mm x1 Pair

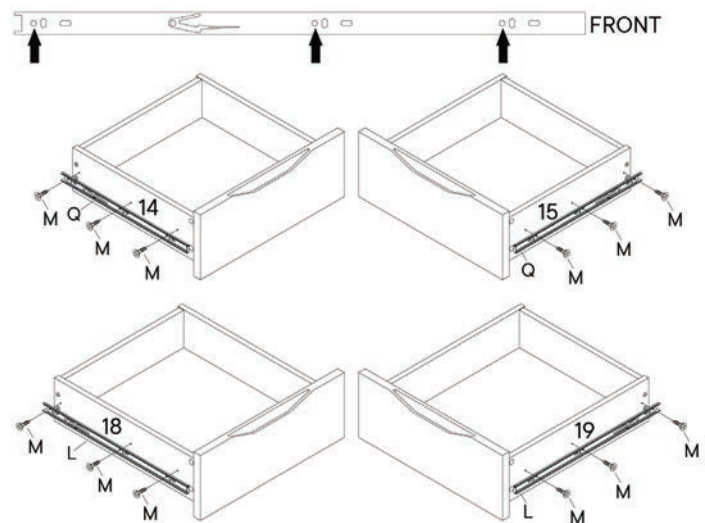
COMPONENTS

14 Drawer Side L 1 x1

15 Drawer Side R 1 x1

18 Drawer Side L 2 x1

19 Drawer Side R 2 x1



Step 8

HARDWARE

D Screw 9 x 38mm x4

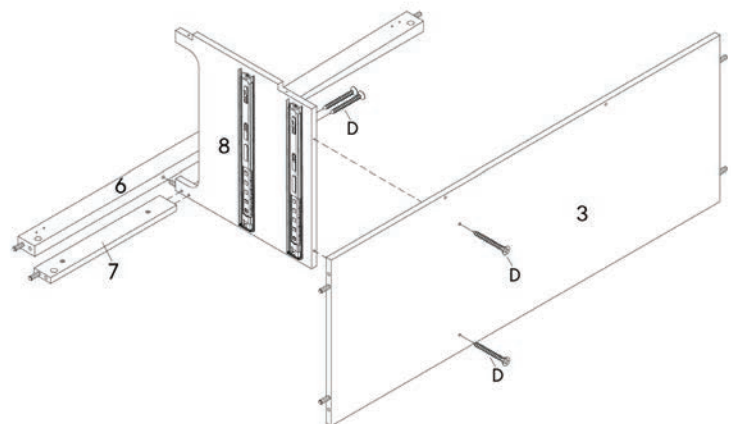
COMPONENTS

3 Bottom Panel x1

6 Front Support x1

7 Support Panel x1

8 Center Panel x1



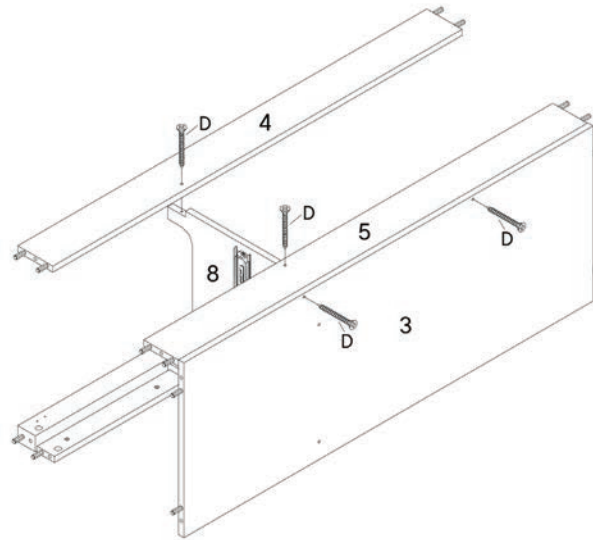
Step 9

HARDWARE

- D** Screw 9 x 38mm x4

COMPONENTS

- 3** Bottom Panel x1
4 Back Panel 1 x1
5 Back Panel 2 x1



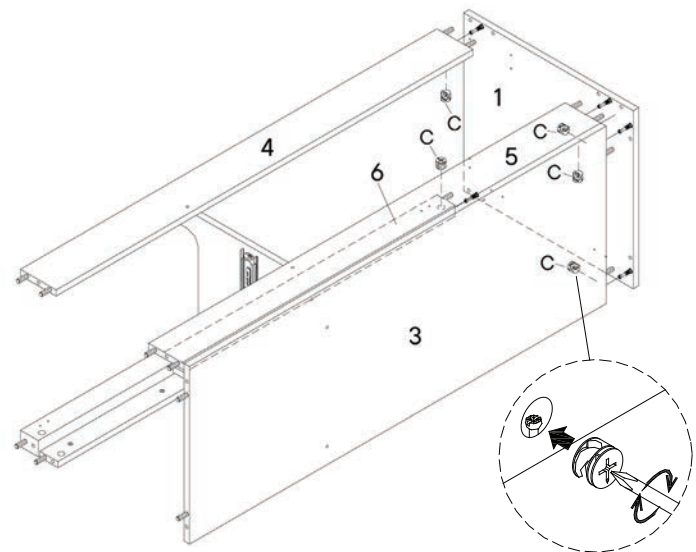
Step 10

HARDWARE

- C** Cam Lock Ø15 x5

COMPONENTS

- 1** Left Side Panel x1
3 Bottom Panel x1
4 Back Panel 1 x1
5 Back Panel 2 x1
6 Front Support x1



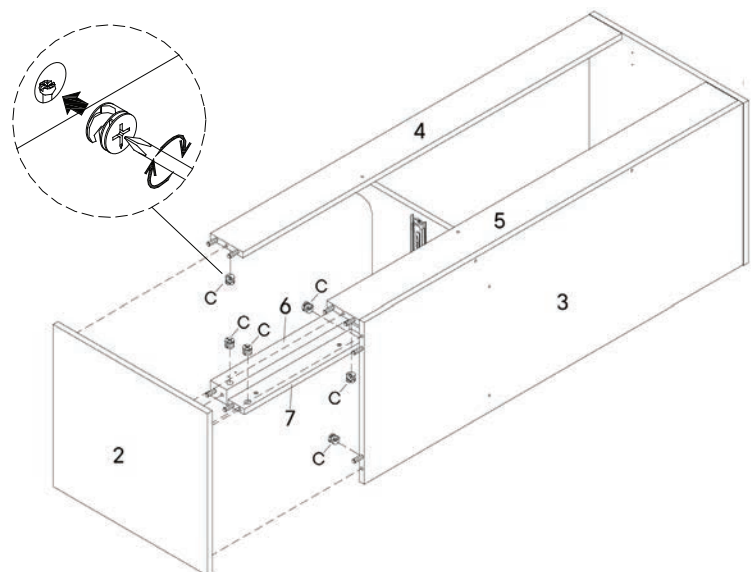
Step 11

HARDWARE

- C** Cam Lock Ø15 x6

COMPONENTS

- 2** Right Side Panel x1
3 Bottom Panel x1
4 Back Panel 1 x1
5 Back Panel 2 x1
6 Front Support x1
7 Support Panel x1



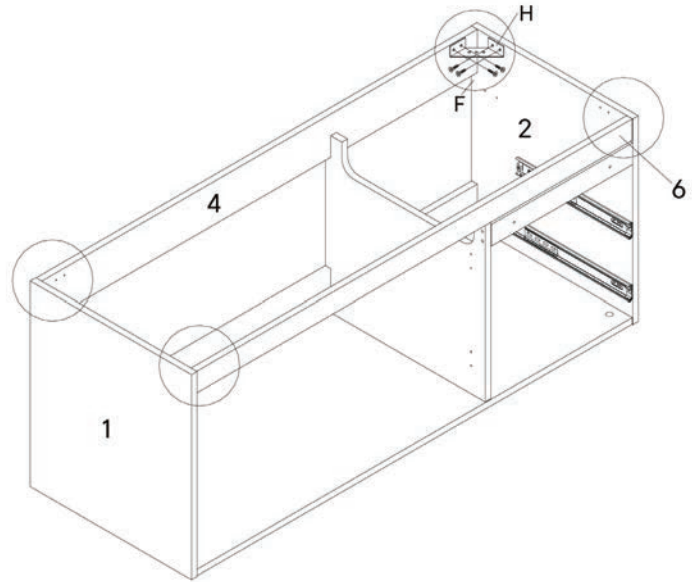
Step 12

HARDWARE

- F** Screw 4 x 14mm x16
- H** Corner Bracket x4

COMPONENTS

- 1** Left Side Panel x1
- 2** Right Side Panel x1
- 4** Back Panel 1 x1
- 6** Front Support x1



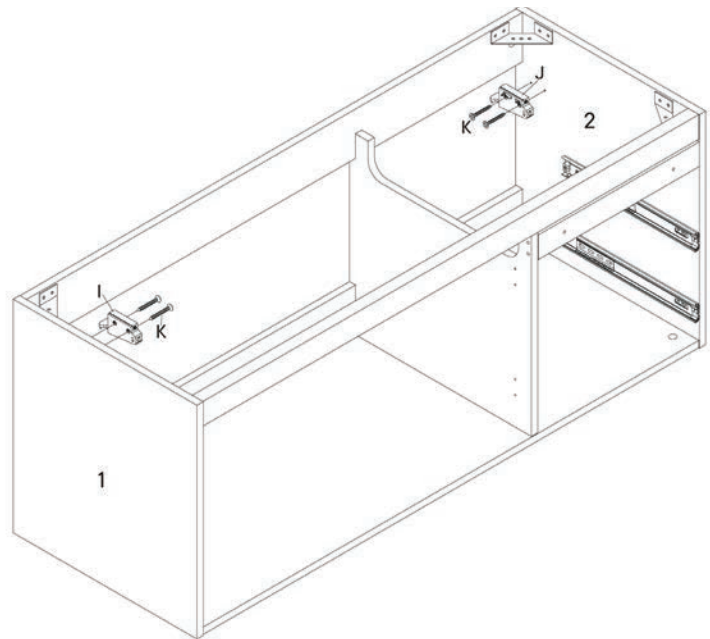
Step 13

HARDWARE

- I** Bracket L/Hanger x1
- J** Bracket R/Hanger x1
- K** Screw 4 x 28mm x4

COMPONENTS

- 1** Left Side Panel x1
- 2** Right Side Panel x1



Step 14

Wall Bracket Installation Guide

Measurement Guide
All units are in millimeters.

14.1 Use a drill to make all pilot holes.

14.2 Insert a Drywall Anchor into each of the nine holes.

14.3 Install bracket with 3 screws. Repeat with other brackets.

14.4 Ensure your bracket measurements are correct before moving on to attaching the cabinet to the wall.

Cabinet-to-Wall Installation Guide

14.5 Set the hanger latch as shown.

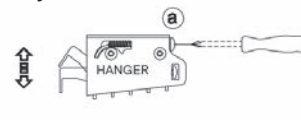
14.6 Hook cabinet onto latch.

14.7 Push cabinet down onto latch.

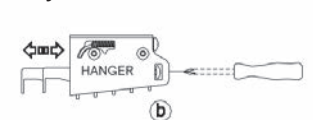
14.8 Fasten the hanger's latch with the screw.

Is the cabinet not hanging quite right?
Here are some adjustment tips.

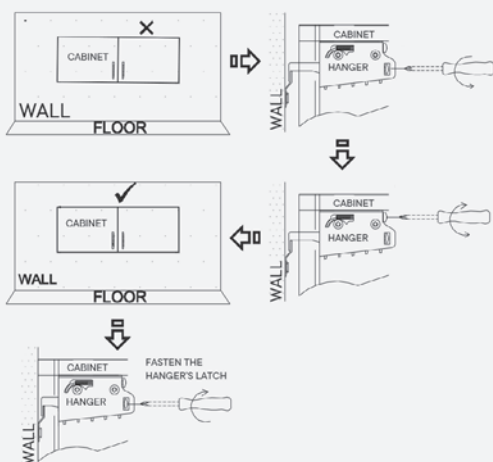
Adjustment Screw A



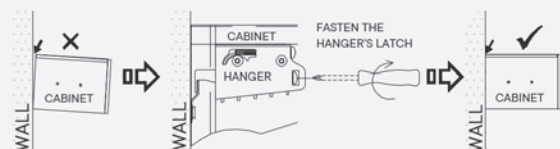
Adjustment Screw B



If your cabinet isn't level, follow this guide.



If your cabinet is pulling away from the wall, follow this guide.



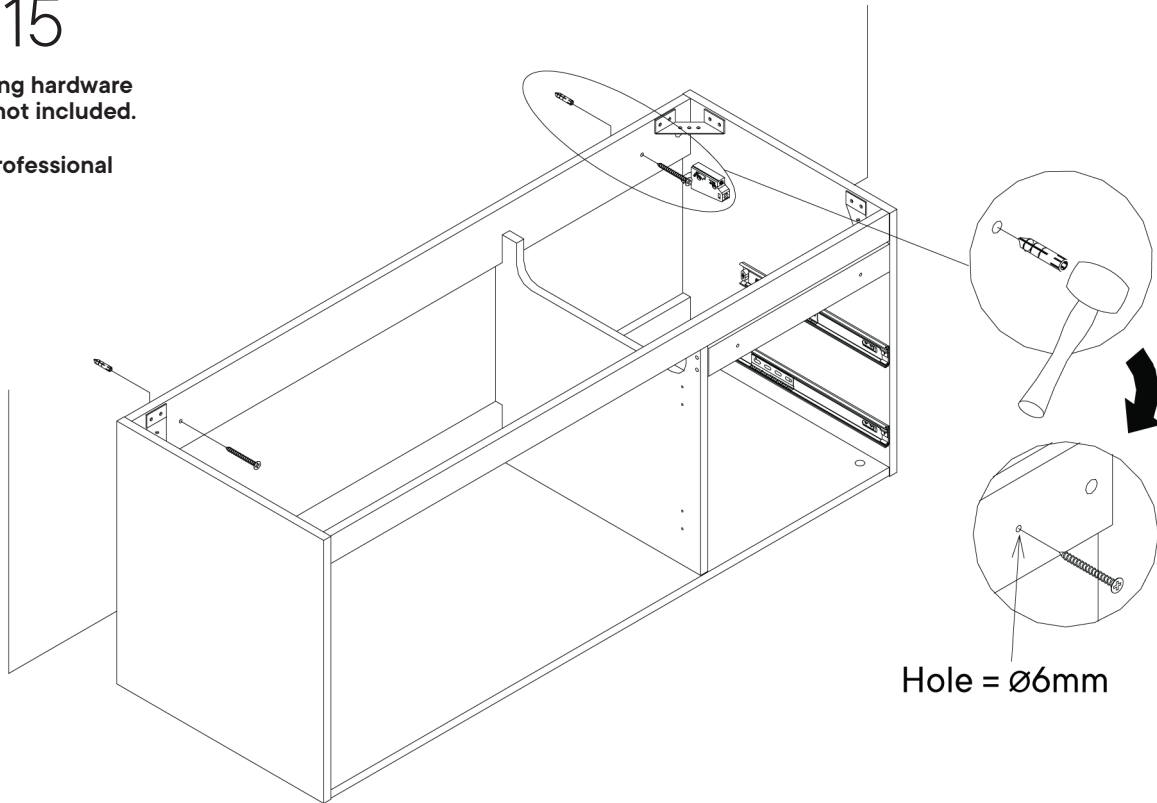
14.9 Once the cabinet is installed and adjusted, install the latch covers.



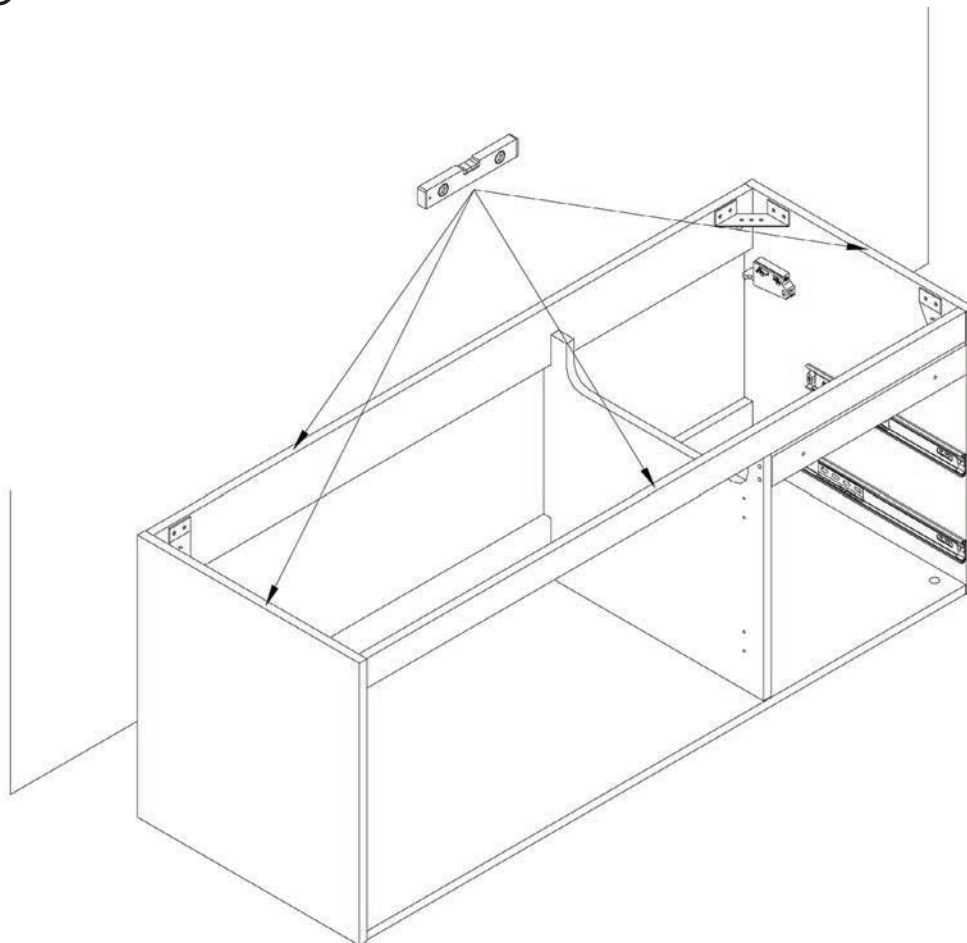
Step 15

NOTE: Mounting hardware and tools are not included.

We suggest professional installation.



Step 16



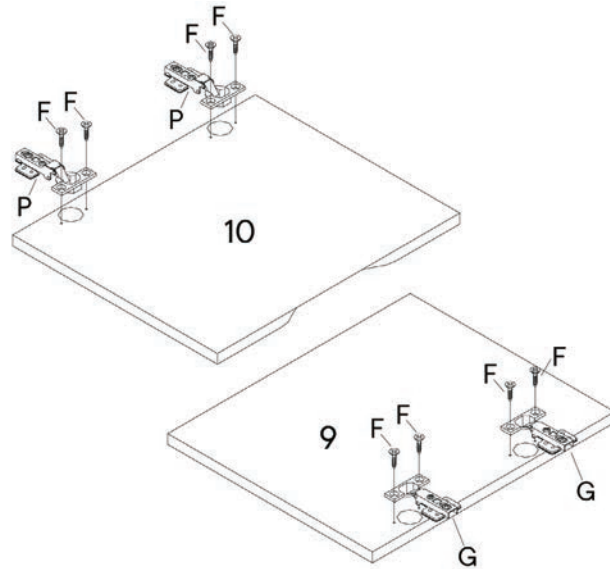
Step 17

HARDWARE

- F** Screw 4 x 14mm x8
- G** Door Hinge (Full Overlay) x2
- P** Door Hinge (Half Overlay) x2

COMPONENTS

- 9** Door Panel Left x1
- 10** Door Panel Right x1



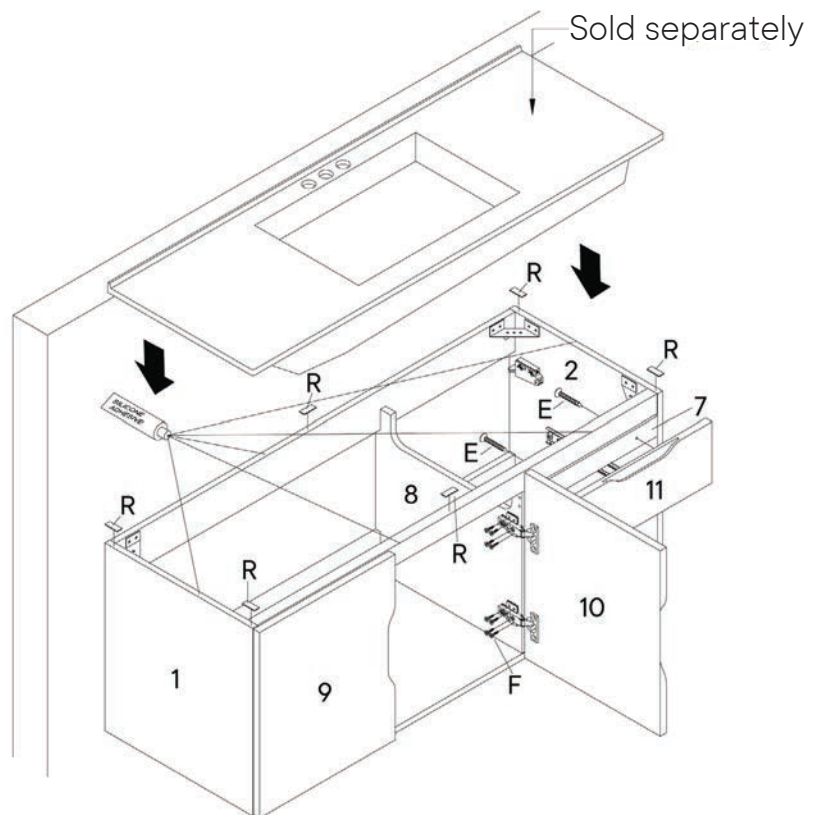
Step 18

HARDWARE

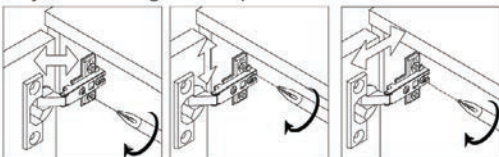
- E** Screw 4 x 25mm x2
- F** Screw 4 x 14mm x16
- R** Rubber Pad x6

COMPONENTS

- 9** Door Panel Left x1
- 10** Door Panel Right x1
- 11** Drawer Front 1 x1



Adjust the hinges, if required.



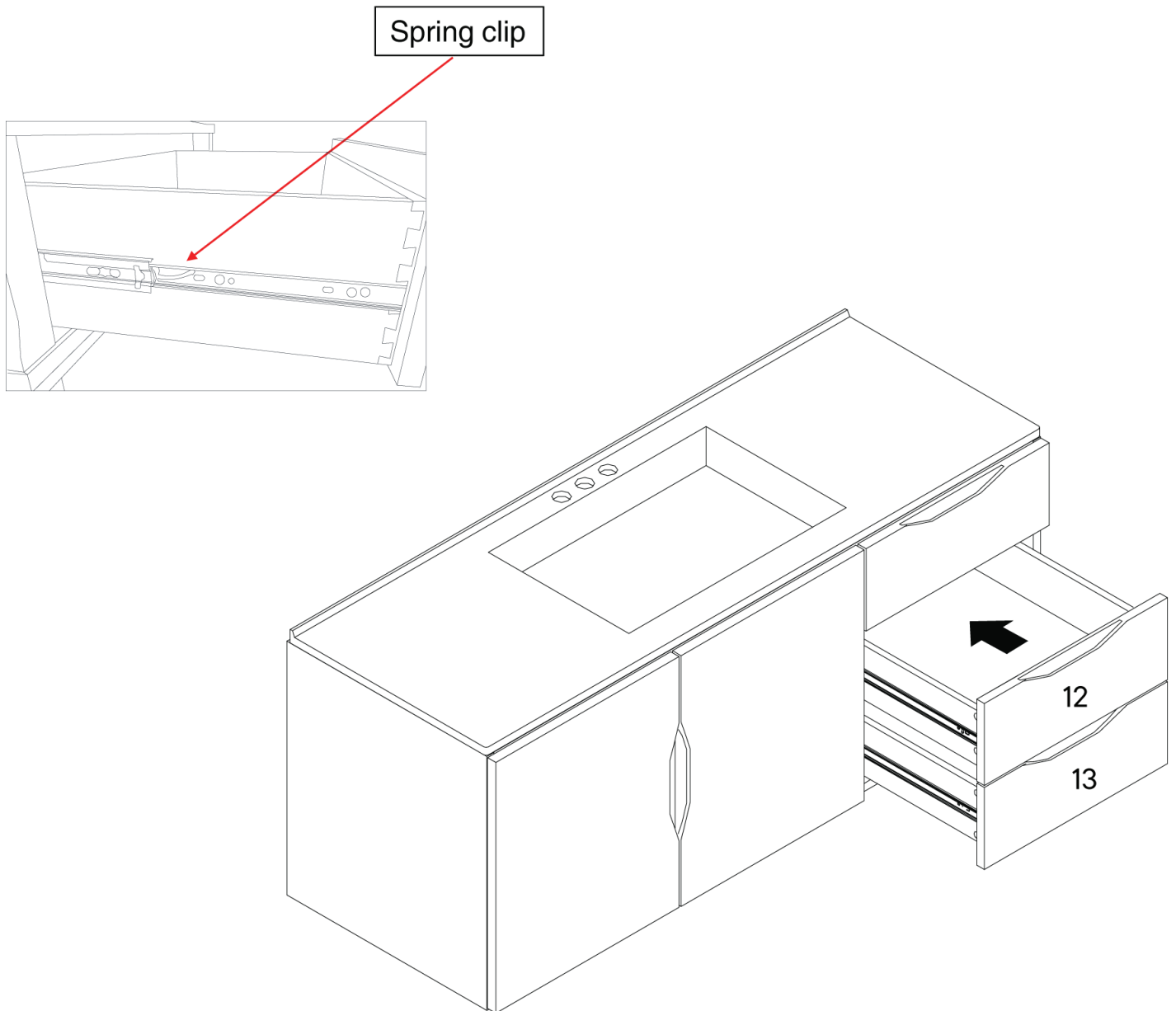
Adjust laterally Adjust height Adjust depth

Step 19

The drawer(s) can be removed, if ever required.

Locate the spring clip on both sides on the drawer glide.
At the same time, press the clips and pull the drawer out.

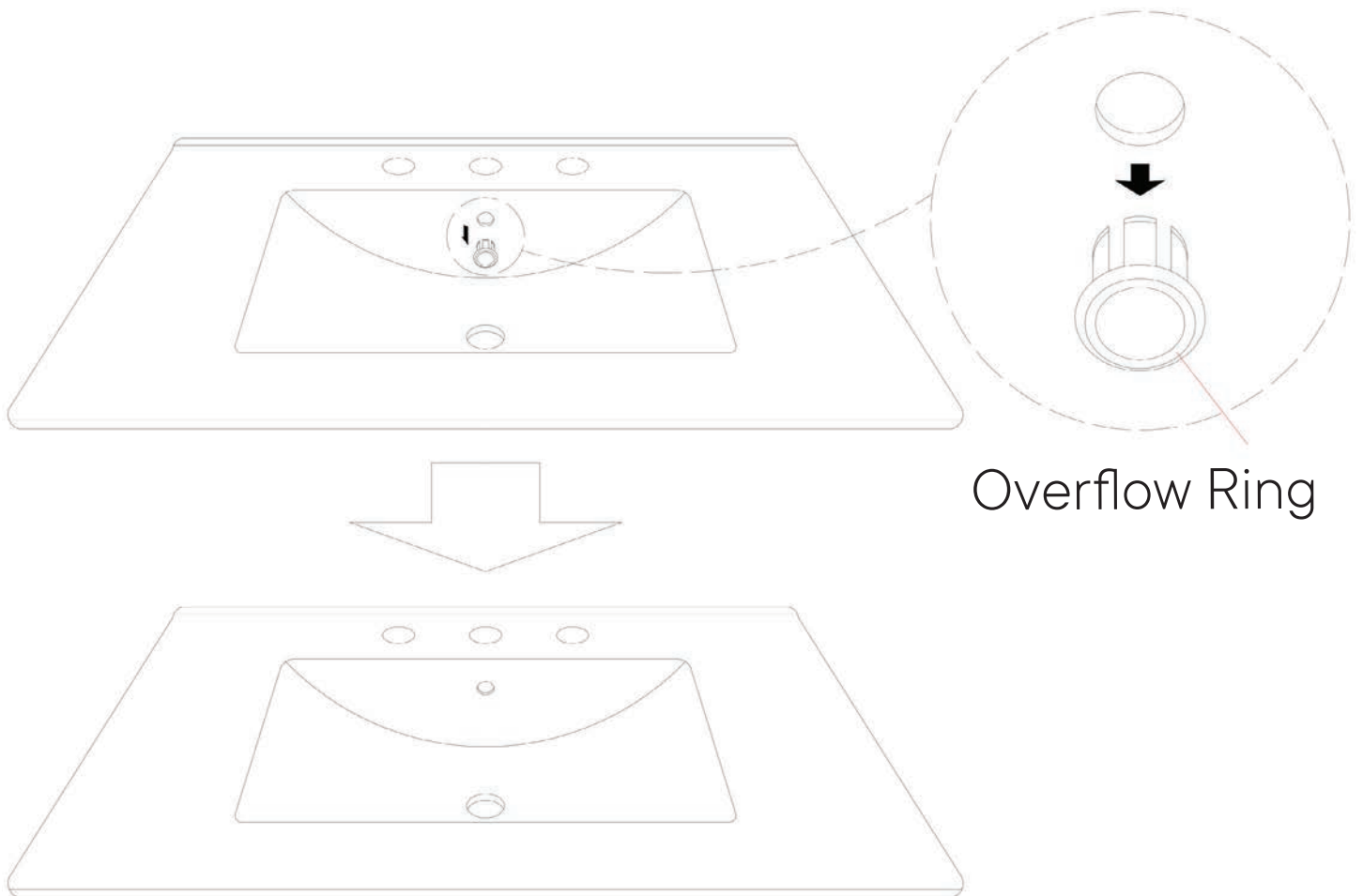
To reinsert, simply align the 2 sides of the drawer glides
and slide in until fully inserted.



A quick note...

*modway

Your sink basin comes complete with a silver overflow ring.
If you'd like to remove this overflow ring, you can do so by hand.



Wait!

Missing parts or hardware? Need assistance?
Contact us before returning your item. We're here to help!
609.256.9000 • cs@modway.com

Great job!

Cabinet assembly is complete and ready for sink installation.

♥ CARING FOR YOUR ITEM

Indoor use only.

Not contract grade.

Clean using a non-abrasive cloth and a mild cleaner.

Never use harsh chemicals, as they could damage the finish or integrity of the item.

CONNECT WITH US!   

Tag us [@modway_furniture](#) and [#modway](#) for a chance to be featured.

