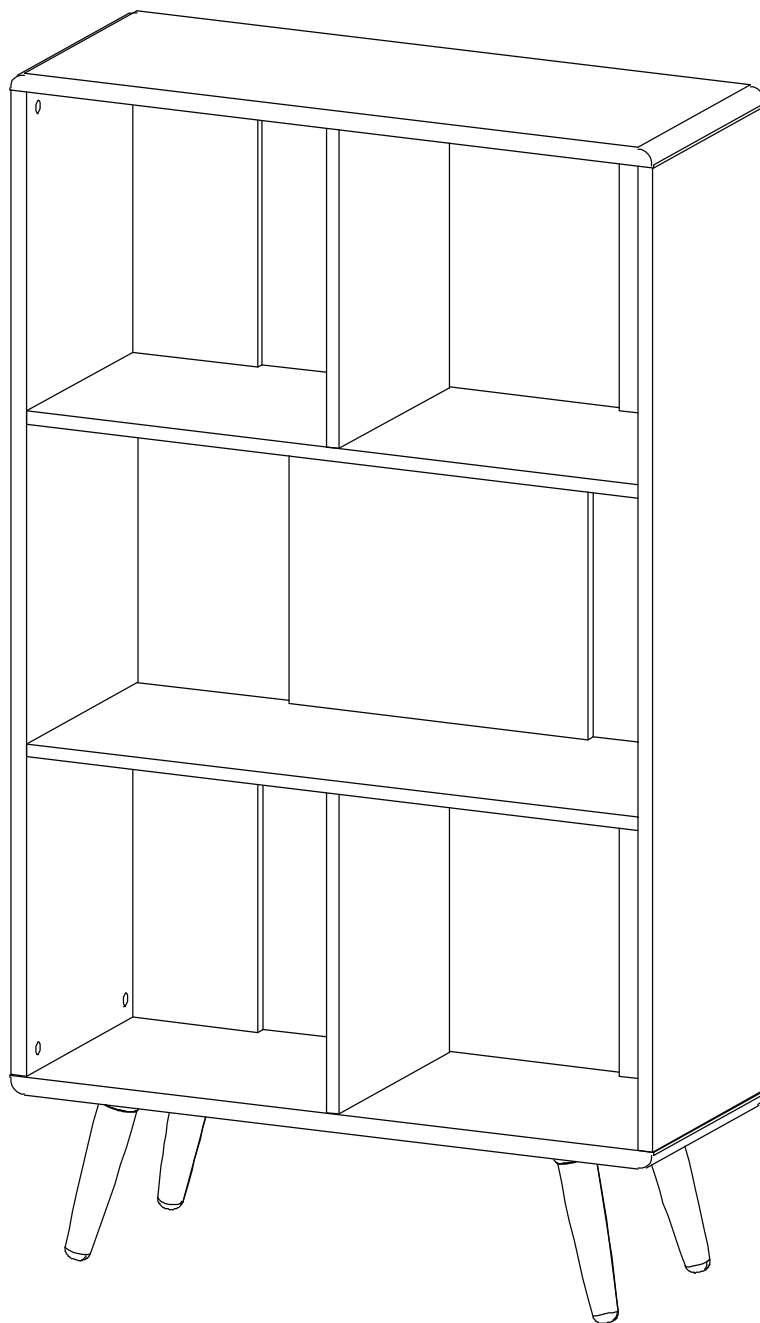


# ASSEMBLY INSTRUCTIONS

# EEI-5743

V0.09.28.21



**Questions? Contact us!**

609.256.9000 • [cs@modway.com](mailto:cs@modway.com)  
[www.modway.com](http://www.modway.com)

\*modway



Read through all of the instructions before starting



Care instructions are listed in the last step of this manual



Approx. 90 minutes assembly time



Make sure you have all parts and components before discarding any packing materials



2 people recommended for assembly

**Only use hand tools to assemble this item.** Do not use power tools. Do not tighten bolts or screws completely until all hardware is lined up and inserted into the holes.

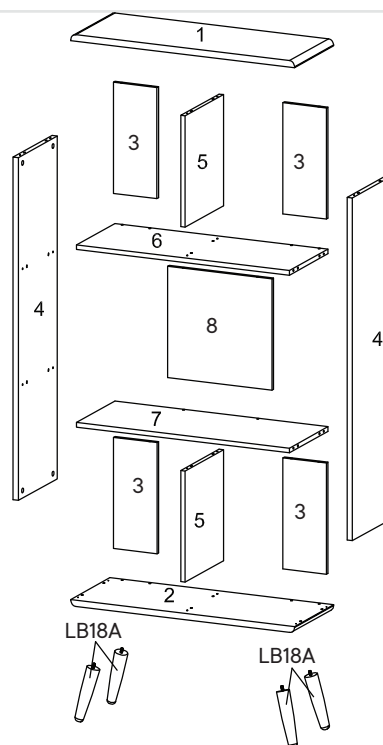
Do not over-tighten screws and bolts to avoid stripping the hardware or cracking the item.

Assemble your item on a flat, carpeted area, with plenty of space to work. This will prevent damage and scratches to your floors or the item while you're assembling the product.

Keep all components and packaging out of reach of children or animals to avoid risk of choking or suffocation.

## Furniture components:

1	Top Board	x1
2	Bottom Board	x1
3	Back Board Small	x4
4	Side Board	x2
5	Center Board	x2
6	Fixed Shelf 1	x1
7	Fixed Shelf 2	x1
8	Back Board Big	x1
LB18A	Leg	x4



## Provided hardware:

A		Cam Bolt $\varnothing 6 \times 35$ mm	x20
B		Cam Lock $\varnothing 15$ mm	x20
C		Wood Dowel $\varnothing 8 \times 30$ mm	x24
D		Wood Dowel $\varnothing 6 \times 30$ mm	x20
E		Screw M 4.5 x 12.5 mm	x20
F		Screw Cap $\varnothing 15$ mm	x8
G		Screw M 7 x 50 mm	x4
H		Allen Key	x1
I		Screw Cap $\varnothing 15$ mm	x4

PM1		Leg Mounting Plate	x4
-----	--	--------------------	----

## What you need:

	Phillips Head Screwdriver
--	---------------------------

Wait!

Missing parts or hardware? Need assistance?  
Contact us before returning your item. We're here to help!  
609.256.9000 • cs@modway.com

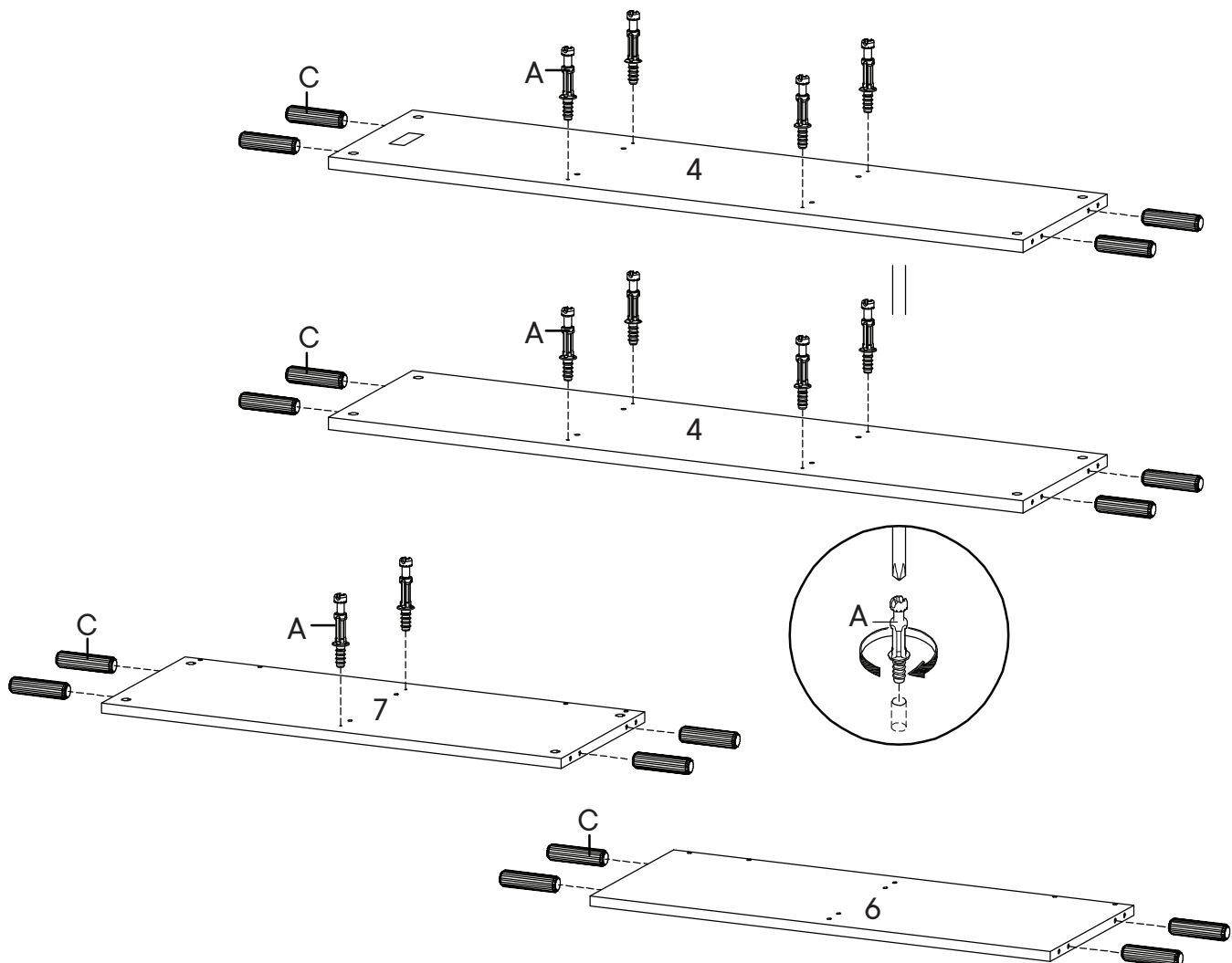
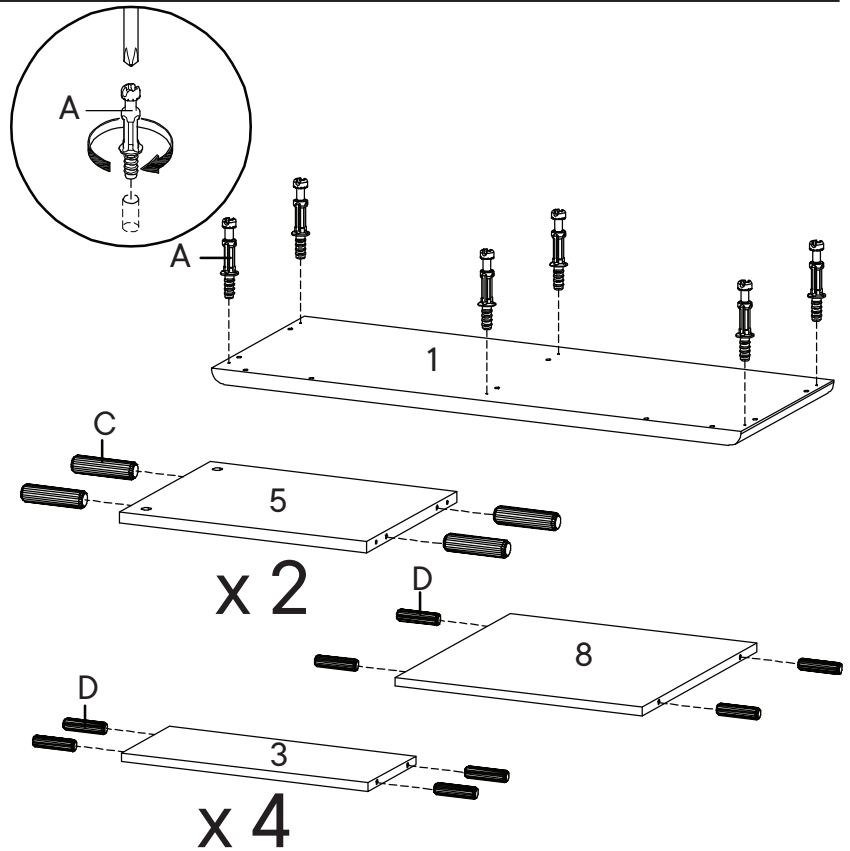
# Step 1

## HARDWARE

- A** Cam Bolt  $\varnothing 6 \times 35$  mm x16
- C** Wood Dowel  $\varnothing 8 \times 30$  mm x24
- D** Wood Dowel  $\varnothing 6 \times 30$  mm x20

## COMPONENTS

- 1** Top Board x1
- 3** Back Board Small x4
- 4** Side Board x2
- 5** Center Board x2
- 6** Fixed Shelf 1 x1
- 7** Fixed Shelf 2 x1
- 8** Back Board Big x1



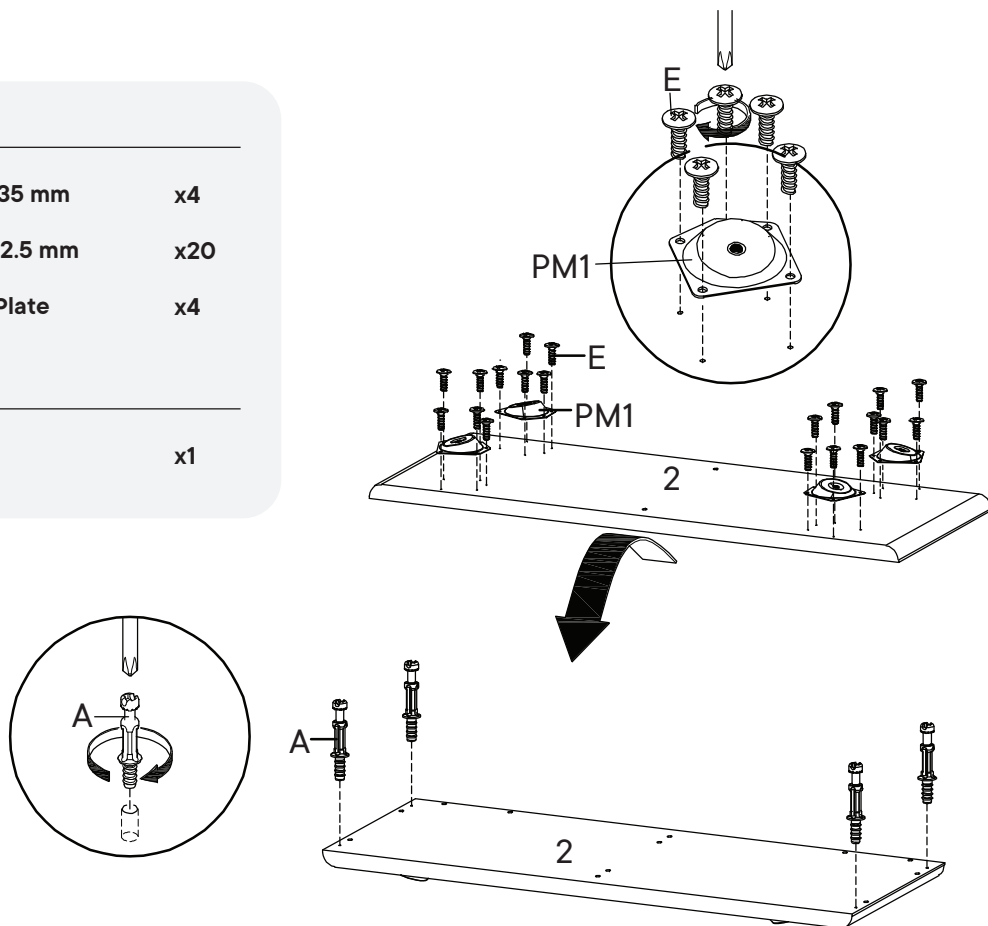
## Step 2

### HARDWARE

- A** Cam Bolt  $\varnothing 6 \times 35$  mm x4
- E** Screw M 4.5 x 12.5 mm x20
- PM1** Leg Mounting Plate x4

### COMPONENTS

- 2** Bottom Drawer x1



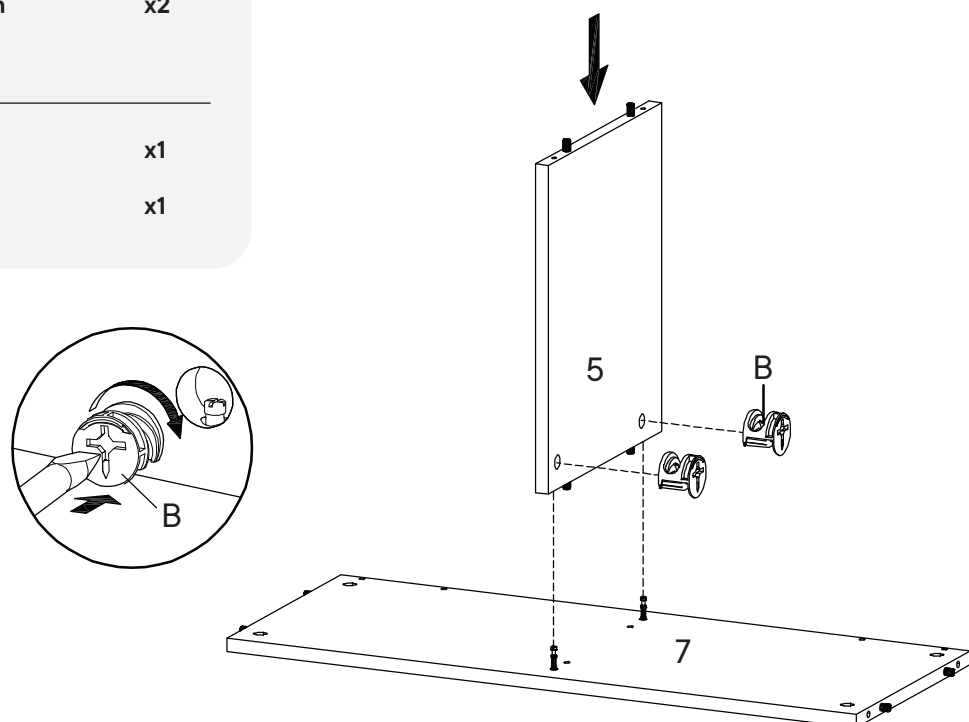
## Step 3

### HARDWARE

- B** Cam Lock  $\varnothing 15$  mm x2

### COMPONENTS

- 5** Center Board x1
- 7** Fixed Shelf 2 x1



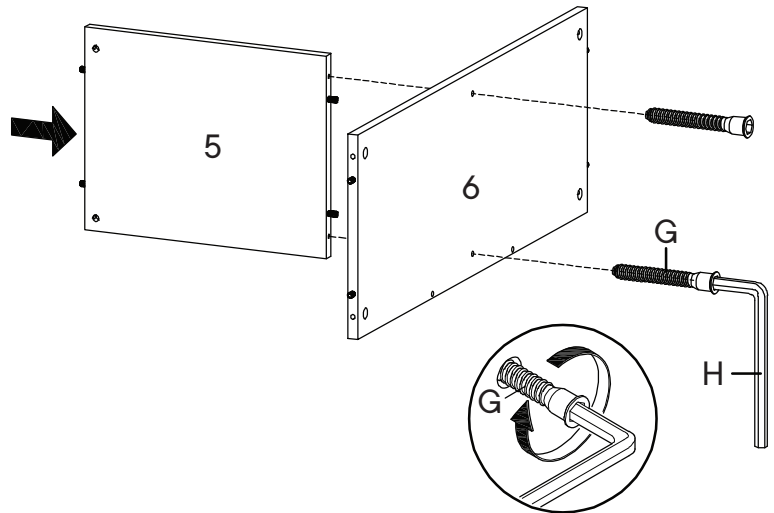
# Step 4

## HARDWARE

- G** Screw M 7 x 50 mm x2
- H** Allen Key x1

## COMPONENTS

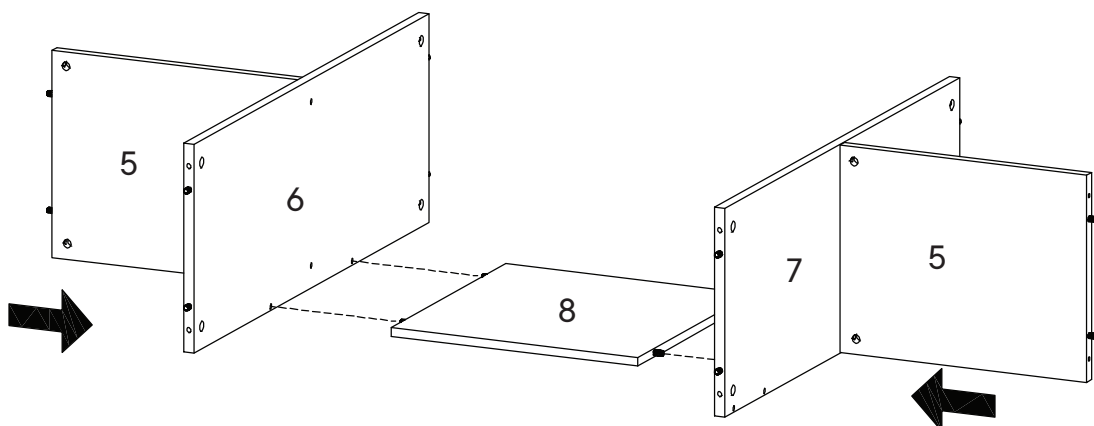
- 5** Center Board x1
- 6** Fixed Shelf 1 x1



# Step 5

## COMPONENTS

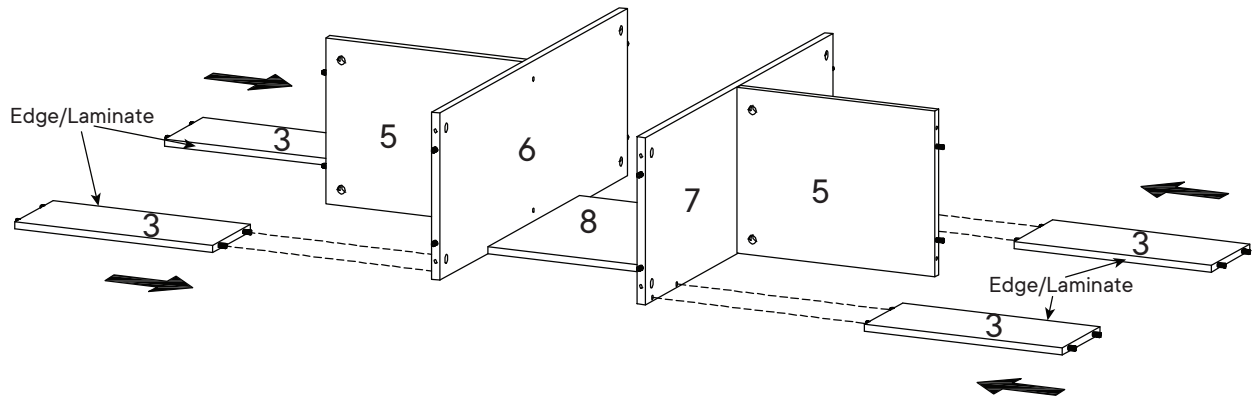
- 5** Center Board x2
- 6** Fixed Shelf 1 x1
- 7** Fixed Shelf 2 x1
- 8** Back Board Big x1



# Step 6

## COMPONENTS

- 3 Back Board Small x4



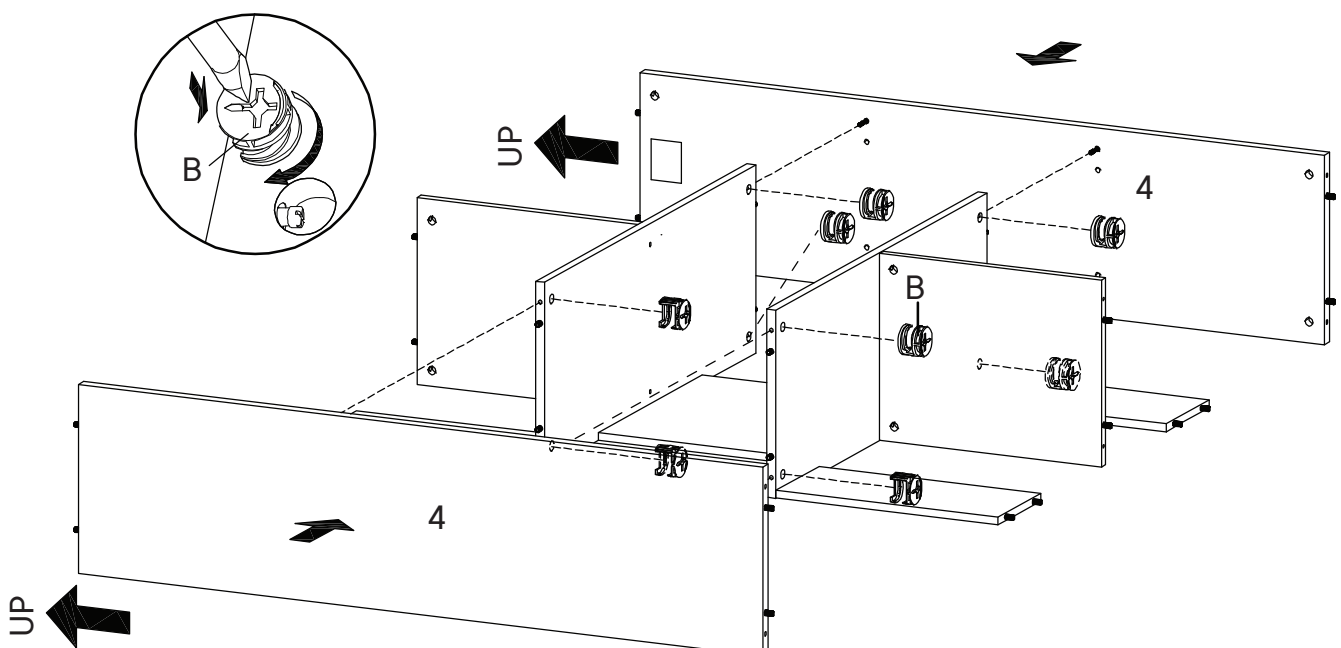
# Step 7

## HARDWARE

- B Cam Lock Ø15 mm x8

## COMPONENTS

- 4 Side Board x2



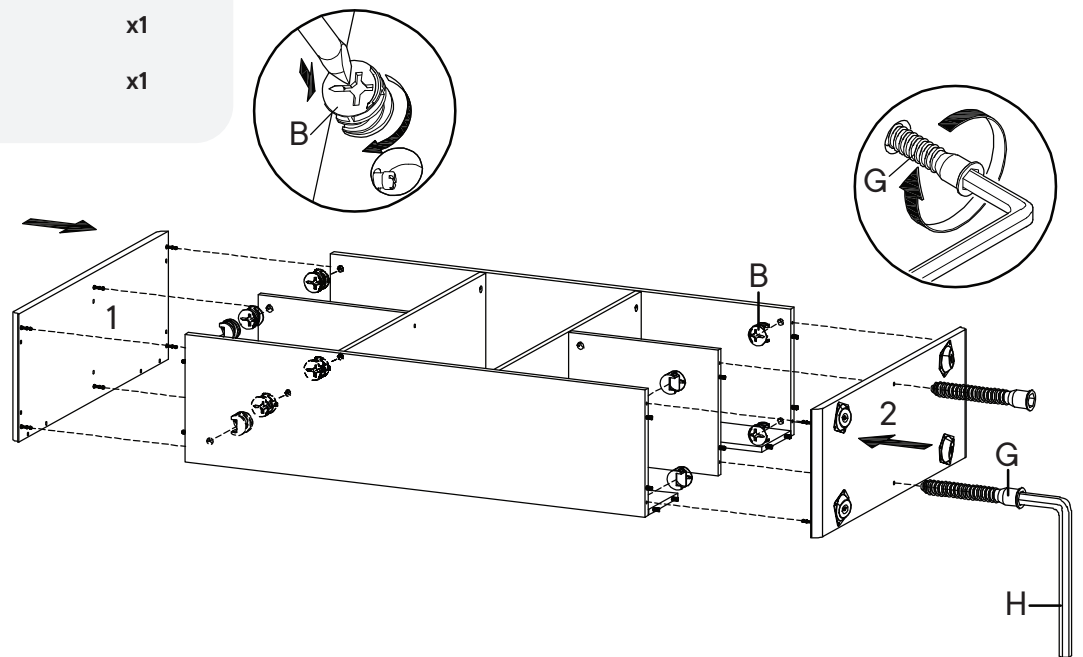
# Step 8

## HARDWARE

- B** Cam Lock Ø15 mm x10
- G** Screw M 7 x 50 mm x2
- H** Allen Key x1

## COMPONENTS

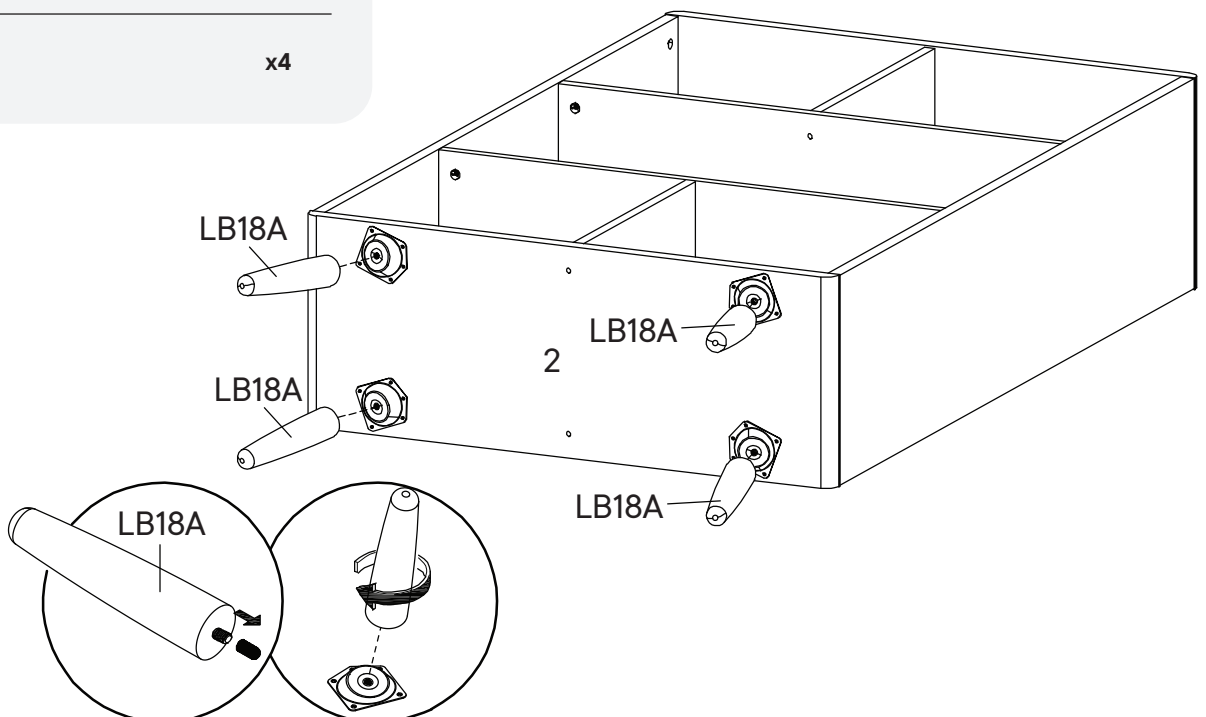
- 1** Top Board x1
- 2** Bottom Board x1



# Step 9

## COMPONENTS

- LB18A** Leg x4

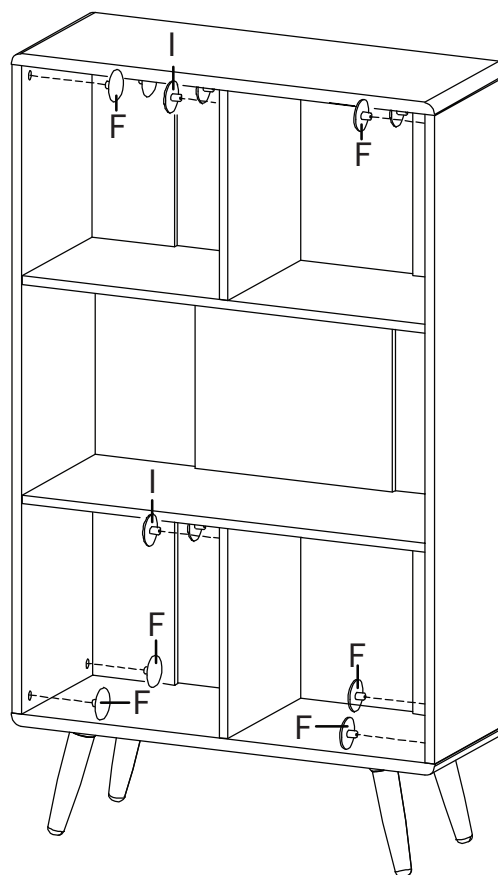
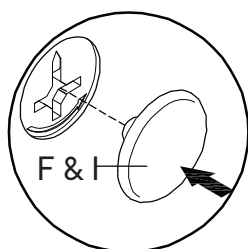


# Step 10

## HARDWARE

**F** Screw Cap Ø15 mm x8

**I** Screw Cap Ø15 mm x4



## Great job!

Bookcase assembly is complete.

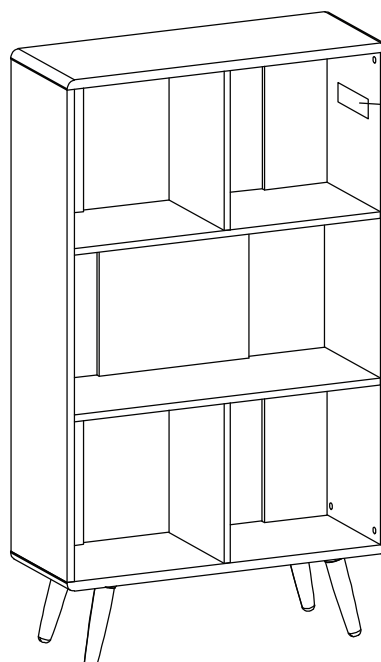
### ♥ CARING FOR YOUR ITEM

Indoor use only.

Not contract grade.

Clean using a non-abrasive cloth and a mild cleaner.

Never use harsh chemicals, as they could damage the finish or integrity of the item.



CONNECT WITH US!   

Tag us @modway\_furniture and #modway for a chance to be featured.

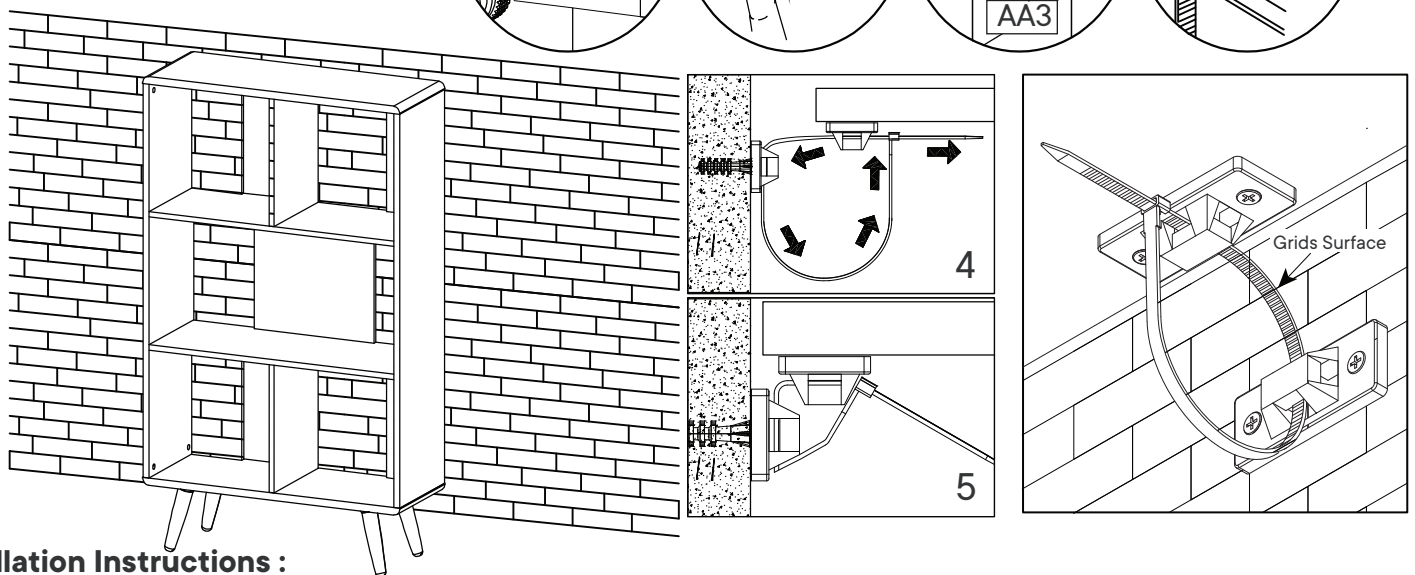
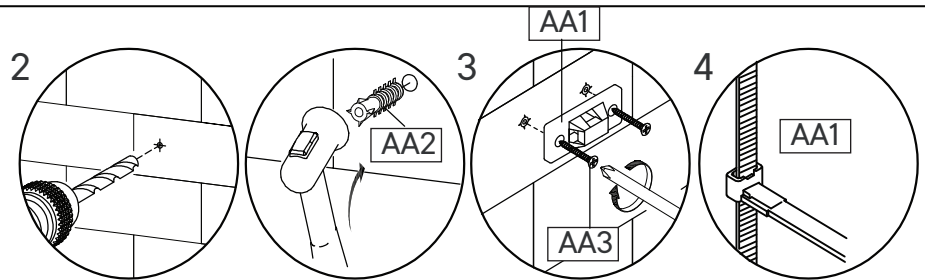
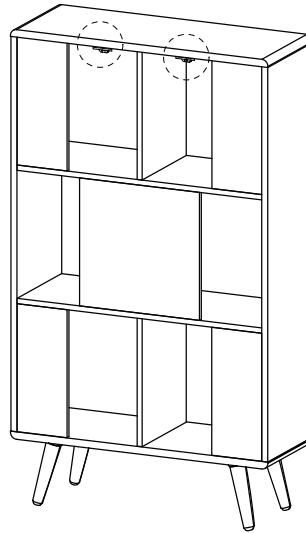
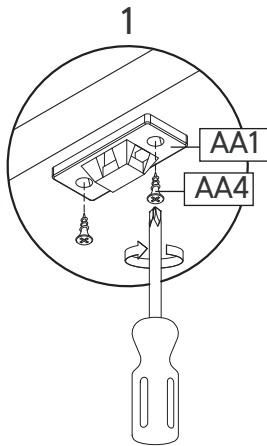
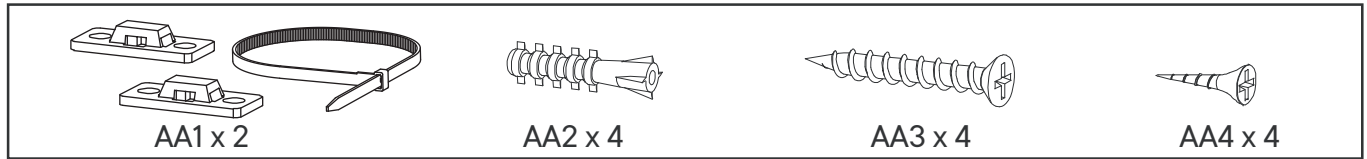


## TIPPING RESTRAINTS KIT INSTALLATION GUIDANCE

Different wall materials require unique wall fasteners.

The wall plugs (AA2) and screws (AA3) are designed for fixing to concrete walls only.

Please consult your local hardware store to ensure you are using the correct hardware for you wall type.



### Installation Instructions :

1. Attach bracket (AA1) securely to the back top of the furniture using screw (AA4) provided. Allow 8 - 10 cm from each side.
2. Please make a hole for wall plugs position on the wall and minimum 15 mm below bracket secured to the back of unit attach the wall plugs (AA2).
3. Locate the other bracket (AA1) on the wall over wall plugs (AA2). Place furniture into position so both brackets (AA1) are vertically in the line.
4. Lace the end of the restraints strap through the larger hole in each bracket. Ensure the restraints strap with grids surface facing the inner loops. Bring both ends together and slide the flat end through the locking end and draw it through until all slack is removed.
5. Make sure that the strap is securely laced & locked.