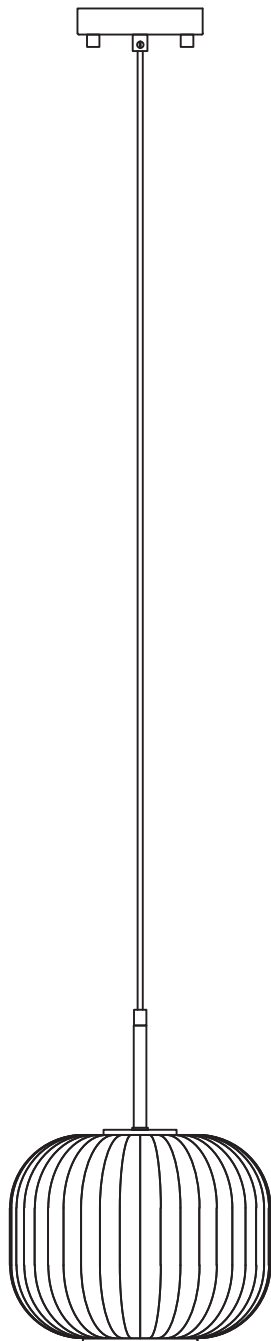


ASSEMBLY INSTRUCTIONS

EEI-5620

V1.08.06.21



Questions? Contact us!

609.256.9000 • cs@modway.com
www.modway.com

*modway



Read through all of the instructions before starting

Do not over-tighten screws and bolts to avoid stripping the hardware or cracking the item.

Check all parts and hardware for damage. If the product is damaged, it should not be used.



Make sure you have all parts and components before discarding any packing materials

Assemble your item on a flat, carpeted area, with plenty of space to work. This will prevent damage and scratches to your floors or the item while you're assembling the product.

We recommend LED bulbs. LEDs are better for energy consumption and can prolong the life of the fixture.

Keep all components and packaging out of reach of children or animals to avoid risk of choking or suffocation.

Allow the fixture to cool before changing the bulb. Fixture may get hot when in use.

Provided hardware:

A		Mounting plate	x1	C		Wire Connector	x3
B		Long Screw	x2	D		Screw Caps	x2
E		Lamp Socket Ring	x1				



CARING FOR YOUR ITEM

Indoor use only.

Clean using a non-abrasive cloth and a mild cleaner.

Never use harsh chemicals, as they could damage the finish or integrity of the item.

You may also need:

- + Ladder
- + Electrical Tape
- + Wire Strippers or Cutters

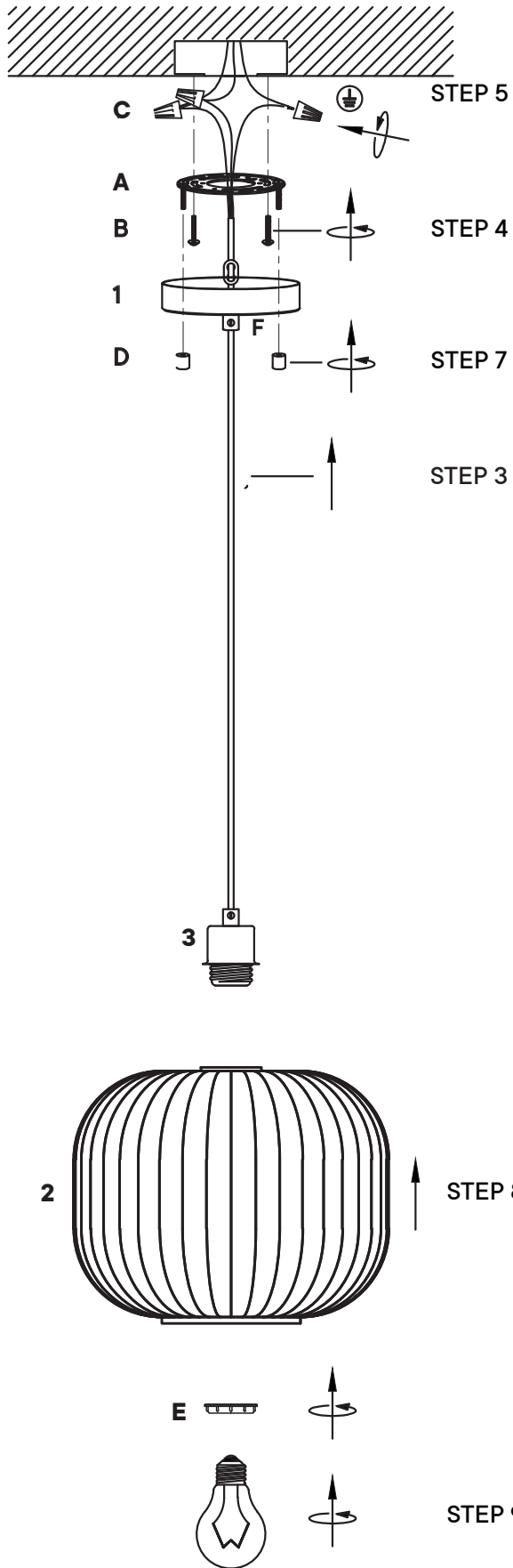
What you need:

One (1) E26 (medium-base) Light Bulb (MAX. 60W)
Bulb not included

Wait!

Missing parts or hardware? Need assistance?

Contact us before returning your item. We're here to help!
609.256.9000 • cs@modway.com



For safety, please consult a local electrician or code professional before installing your new fixture.

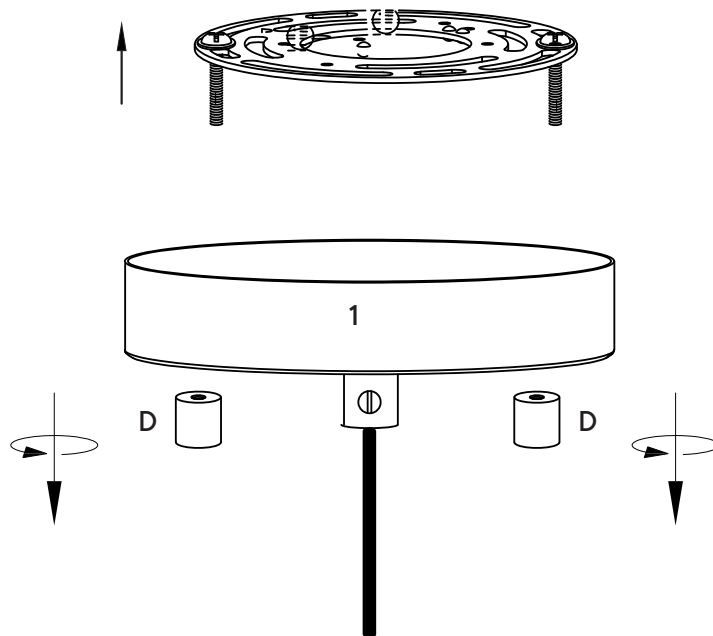
Step 1

Before beginning **TURN OFF POWER** to the light from the fuse or circuit breaker



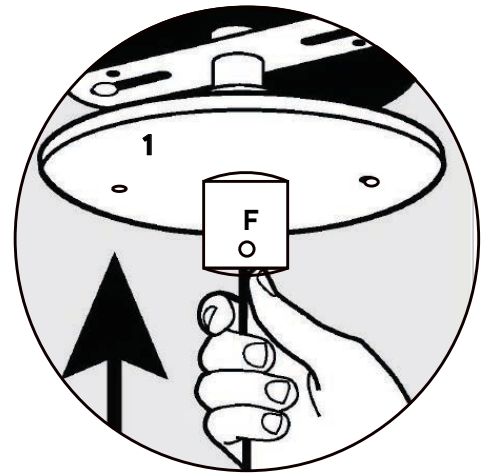
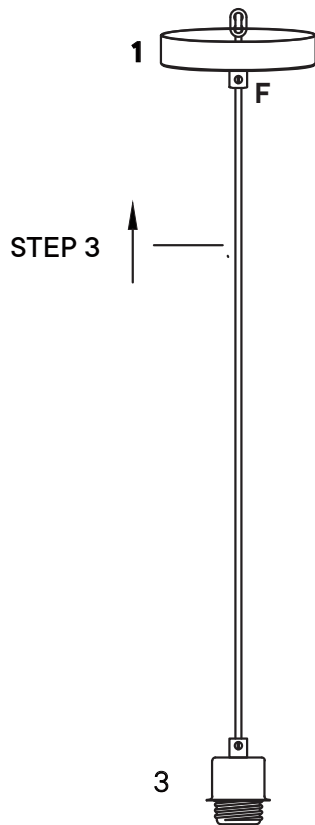
Step 2

Un-screw the **Screw Cap (D)** to dismantle **Mounting Plate (A)** from the **Ceiling Canopy (1)**



Step 3

Determine your desired total drop of the **Lamp Cord (2)**. The total drop is the distance from the ceiling to where you would like the bottom of the pendant to hang. Once decided, secure the **Lock Sleeve (F)** at the **Ceiling Canopy (1)**.



Step 4

HARDWARE

A	Mounting Plate	x1
D	Long Screws	x2

Attach the **Mounting Plate (A)** to the outlet box. Insert **Long Screws (B)** into each hole on mounting plate and align with holes in electrical box. Tighten all screws.

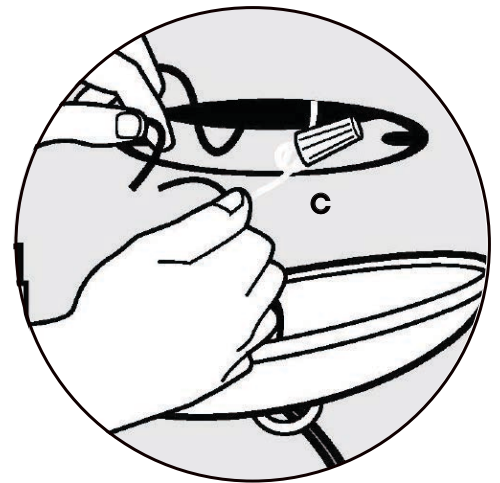
Pull out all three wires from the outlet box.



Step 5

HARDWARE

C Wire Connector x3



Connect wires with matching polarity.

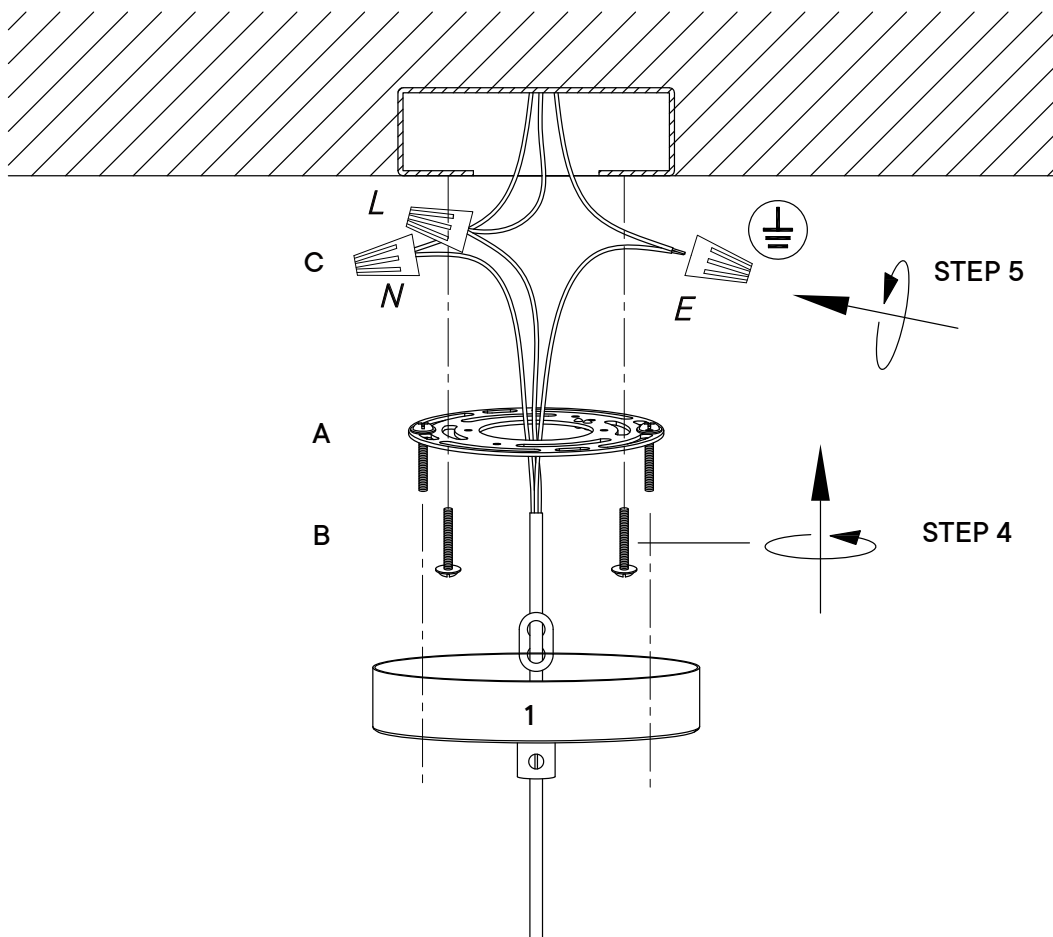
Attach the wires from the outlet box to the wires from the light fixtures.

The black fixture wire connector to the black supply wire (**Live Wire**) (L) and the white fixtures wire to the white supply wire (**Neutral Wire**) (N).

Secure each connection using a **Wire Connector (C)**.

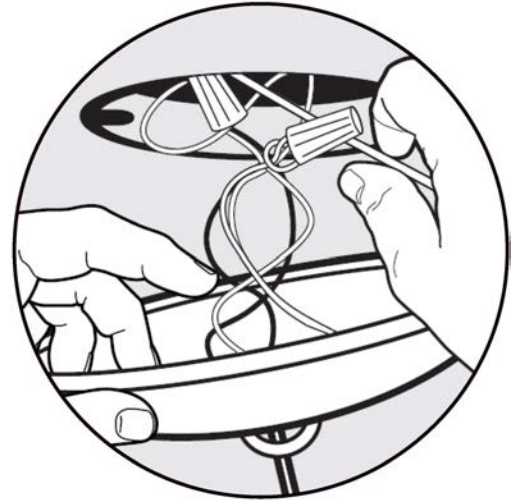
If there is no supply ground wire, attach the cooper fixture wire to the **Mounting Plate (A)** to ground.

Make the appropriate electrical connection according to your local state, and/or country code requirements.



Step 6

Continue to support fixture. Make sure all connected wires are carefully placed inside of box and canopy.

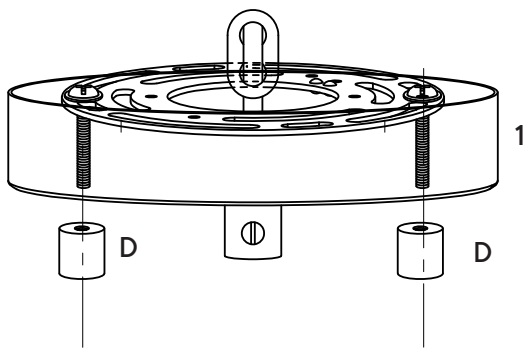
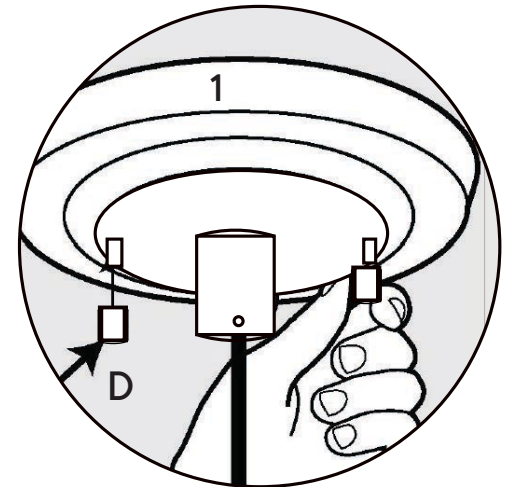


Step 7

HARDWARE

D Screw Caps x2

Attach the **Ceiling Canopy (1)** to the **Mounting Plate (A)**. Place the exposed ends of the two 1-Inch screws through the holes in the canopy and tightly attach the two **Screw Caps (D)**



Step 8

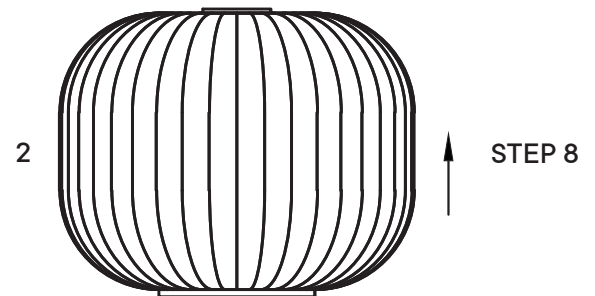
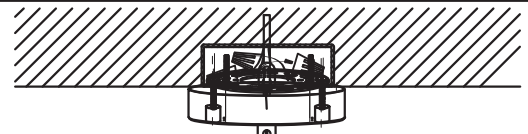
HARDWARE

- E** Lamp Socket Ring x1

Attach the Lamp Shade (2) by securing the Lamp Socket Ring.(E) to the Bulb Socket (3).

Step 9

Install the light bulb according to the wattage label (E26, MAX. 60W, bulb not included).



ATTENTION: To avoid the risk of fire, do not exceed the recommended wattage indicated on the wattage label.

Great job!

Your new light fixture is ready for use.



CARING FOR YOUR ITEM

Indoor use only.

Clean using a non-abrasive cloth and a mild cleaner.

Never use harsh chemicals, as they could damage the finish or integrity of the item.

CONNECT WITH US!   

Tag us @modway_furniture and #modway for a chance to be featured.

