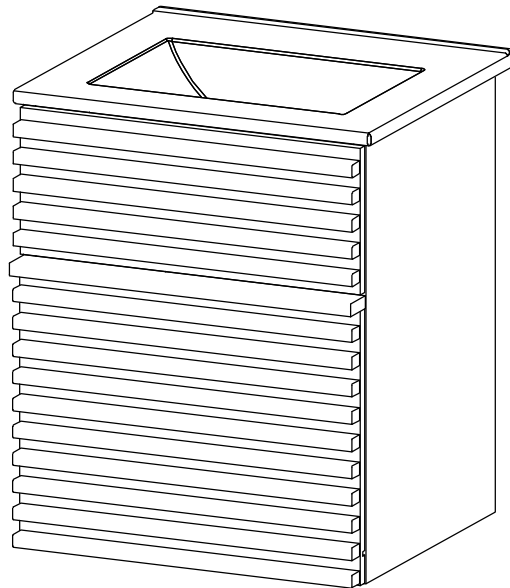


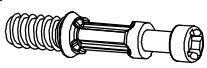



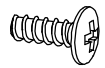

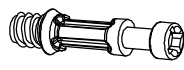
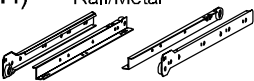



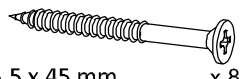
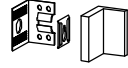
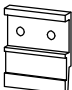
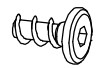
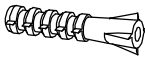


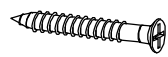

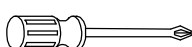
Thank you for purchasing the **MODWAY CABINET** !

Before you start, here are some helpful advice:

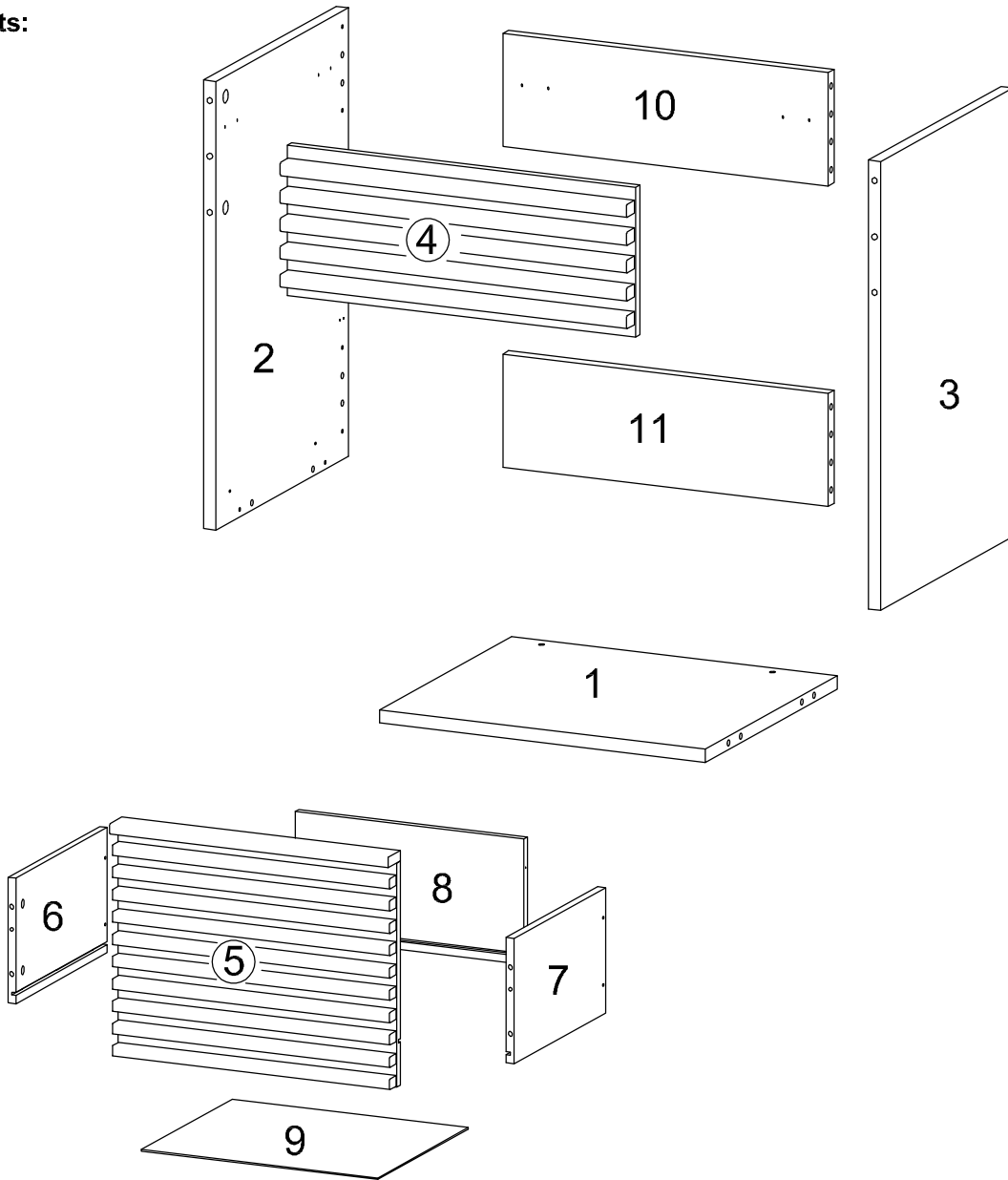
1. We suggest you spend a short time reading through this leaflet and then follow the simple step-by-step instructions.
2. Owing to the size and weight of the Cabinet, we recommend that it is assembled by two adults, on a carpeted or padded area, in the room that it is intended for. Approximate assembly time: 60 minutes.
3. Please do not use any tools other than those Provided or recommended in these instructions.
4. Please do not throw away any of the packaging or instructions until you have checked all the components and hardware and the furniture is fully assembled.
5. Assemble all components loosely until advised to tighten. Depending on use, it may be necessary to tighten the components from time to time, so please save the tools that have been provided.
6. Please keep all pieces out of reach of children.



Hardware :

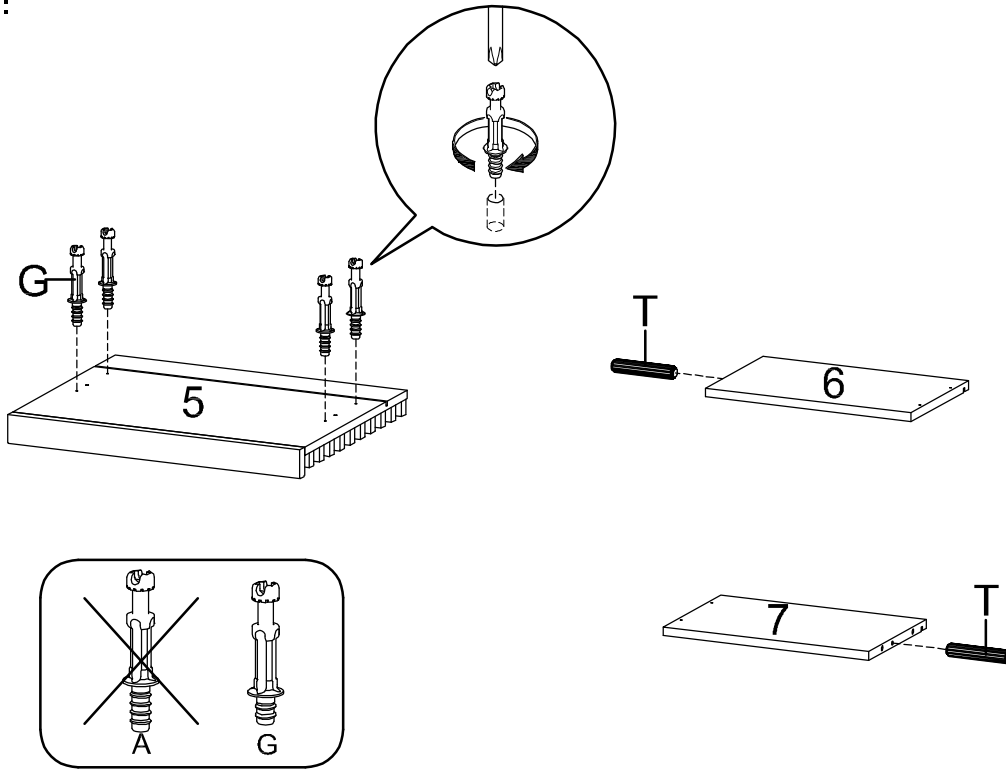
A) Cambolt Big /Metal  \varnothing 6 x 35 mm x 12	B) CamLock /Metal  \varnothing 15 mm x 16	C) Dowel Big/Wood  \varnothing 8x30 mm x 16	D) Bracket/Metal  x 4	E) Screw/Metal  M 4.5 x 12.5 mm x 24
F) CamLock Small/Metal  \varnothing 12 mm x 4	G) Cambolt Small /Metal  \varnothing 6 x 32 mm x 8	H) Rail/Metal  x 1	I) Screw/Metal  M 6 x 10.5 mm x 4	J) Floor Protector/Sponge/Felt  25 x 15 x 2 mm x 8
K) Hex/Allen Key/Metal  L 4 x 1	L) Screw/Metal  5.5 x 45 mm x 8	M) Hanger/Metal  x 2	N) Short Bracket/Metal  x 2	O) Screw/Metal  M 6.4 x 14 mm x 4
P) Wall Plug/Plastic  5002 x 8	Q) Long Bracket/Metal  x 1	R) Screw/Metal  M 3.5 x 13 mm x 6	S) Screw/Metal  M 8 x 39 mm x 4	T) Dowel SmallWood  \varnothing 6x30 mm x 2
U)  Screwdriver (Not Include)				

Components:



1 Bottom Board	x1	2 Side Board Left	x1	3 Side Board Right	x1	4 Front Skirt	x1
5 Front Drawer	x1	6 Side Drawer left	x1	7 Side Drawer Right	x1	8 Back Drawer	x1
9 Bottom Drawer	x1	10 Back Skirt 1	x1	11 Back Skirt 2	x1		

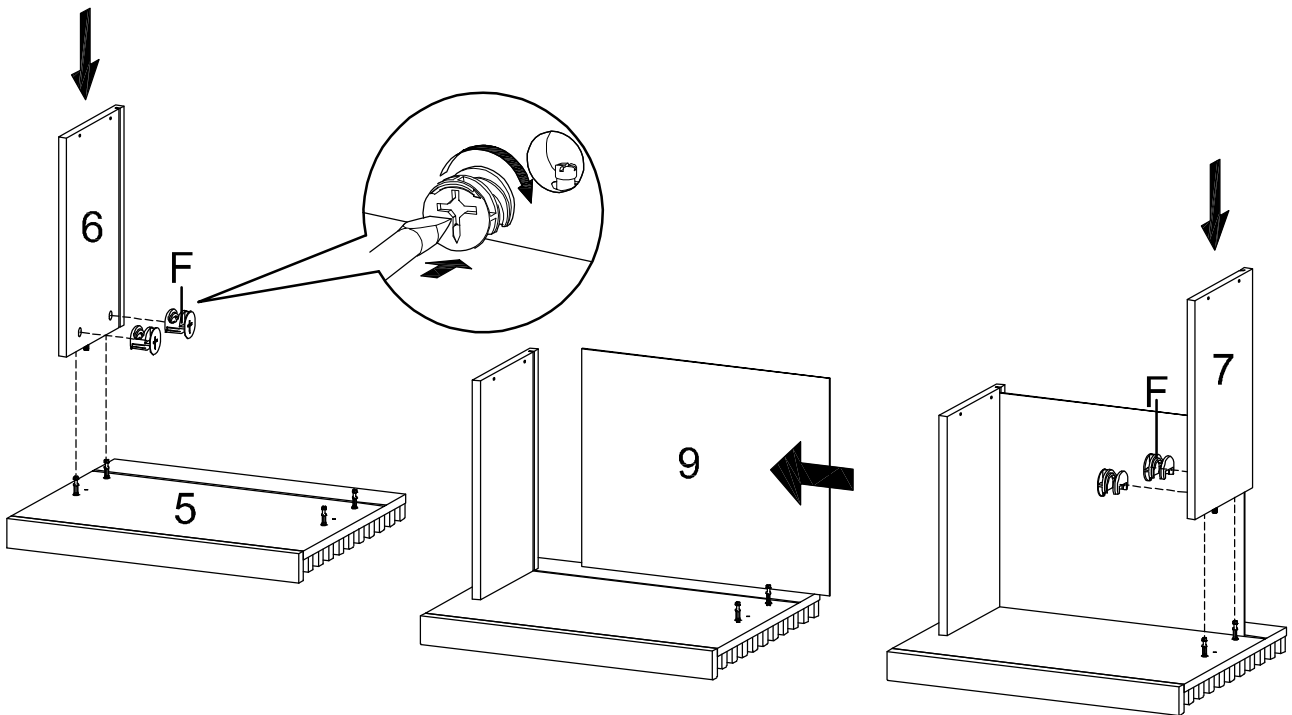
STEP 1:



G x 4	T x 2	U x 1

Hardware required.
Screwdriver not included

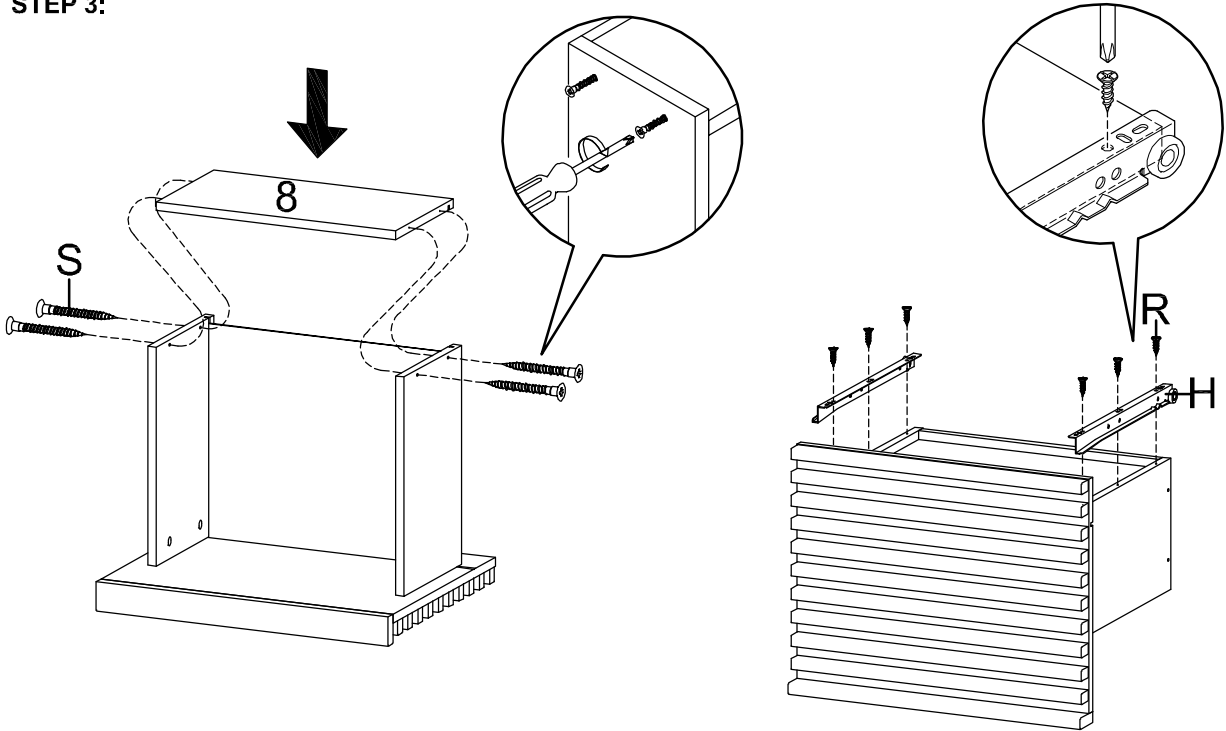
STEP 2:



F x 4	U x 1

Hardware required.
Screwdriver not included

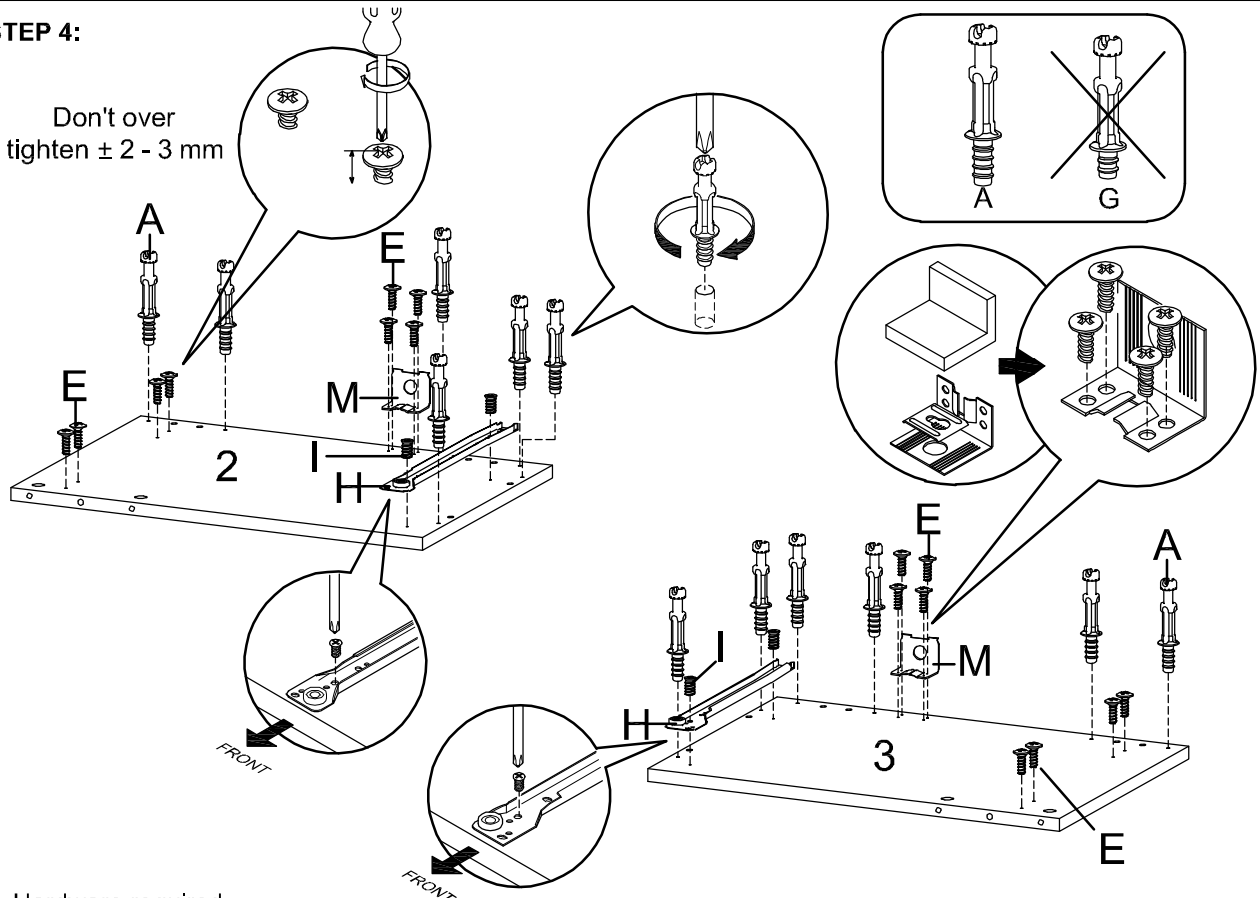
STEP 3:



H x 1	R x 6	S x 4	U x 1

Hardware required.
Screwdriver not included

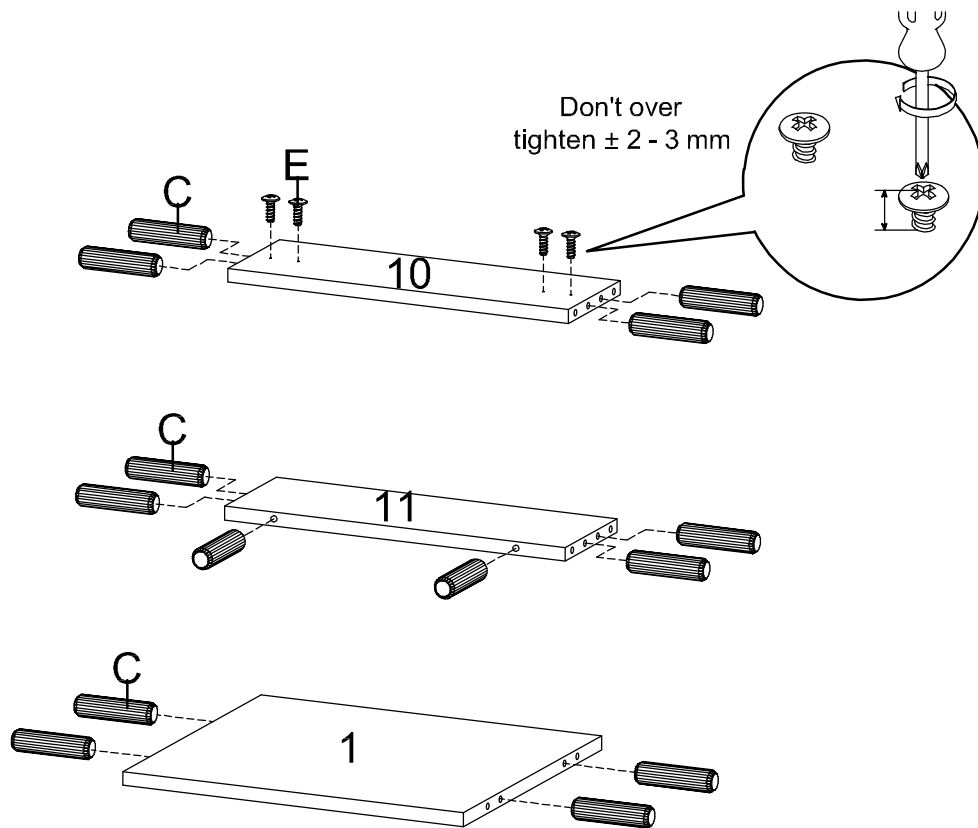
STEP 4:



Hardware required.
Screwdriver not included

A x 12	H x 1	I x 4	E x 16	M x 2	U x 1

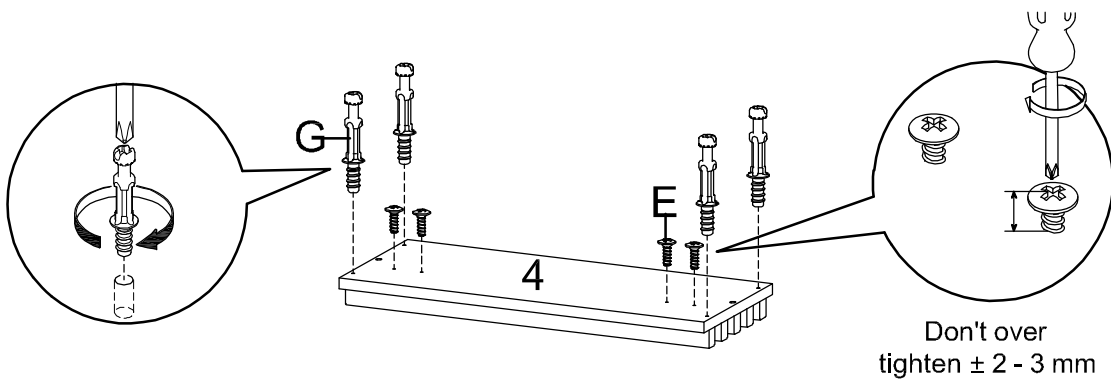
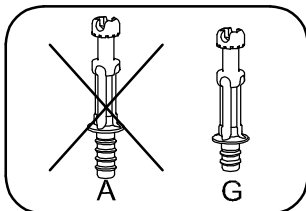
STEP 5:



C x 14	E x 4	U x 1

Hardware required.
Screwdriver not included

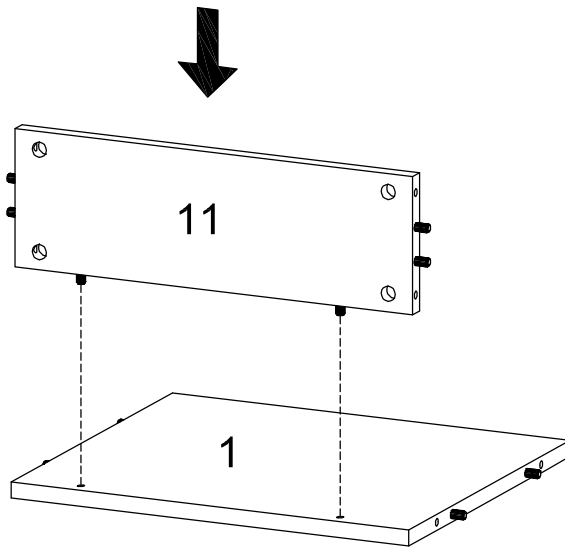
STEP 6:



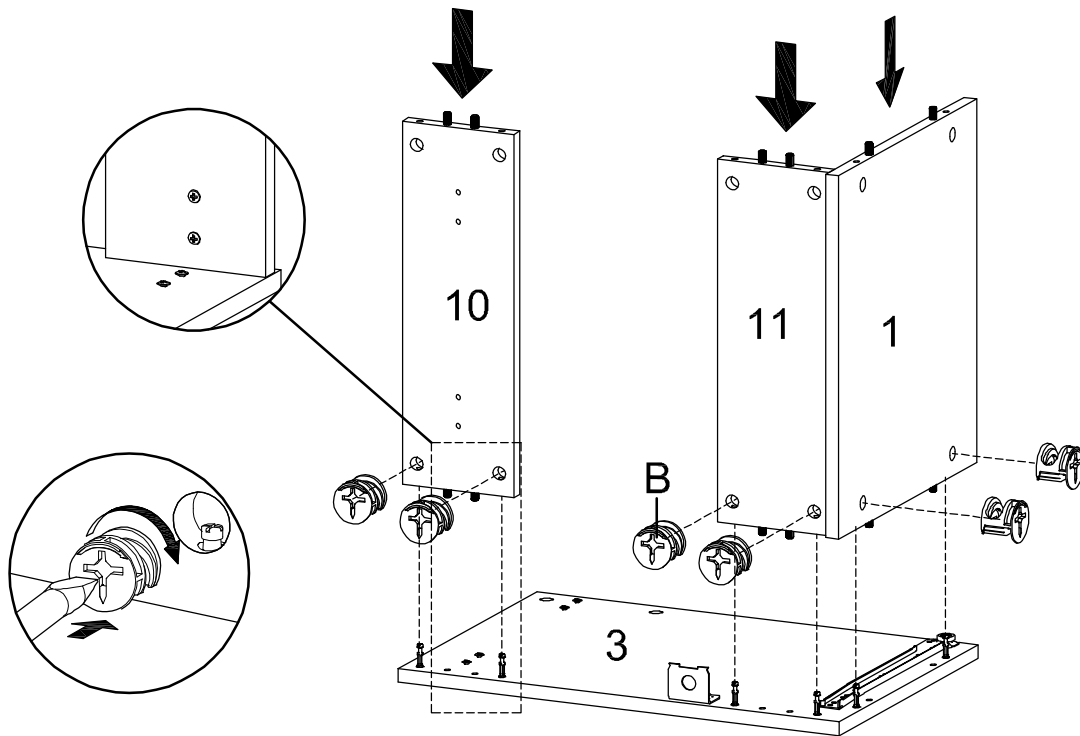
E x 4	G x 4	U x 1


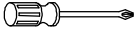
Hardware required.
Screwdriver not included

STEP 7:



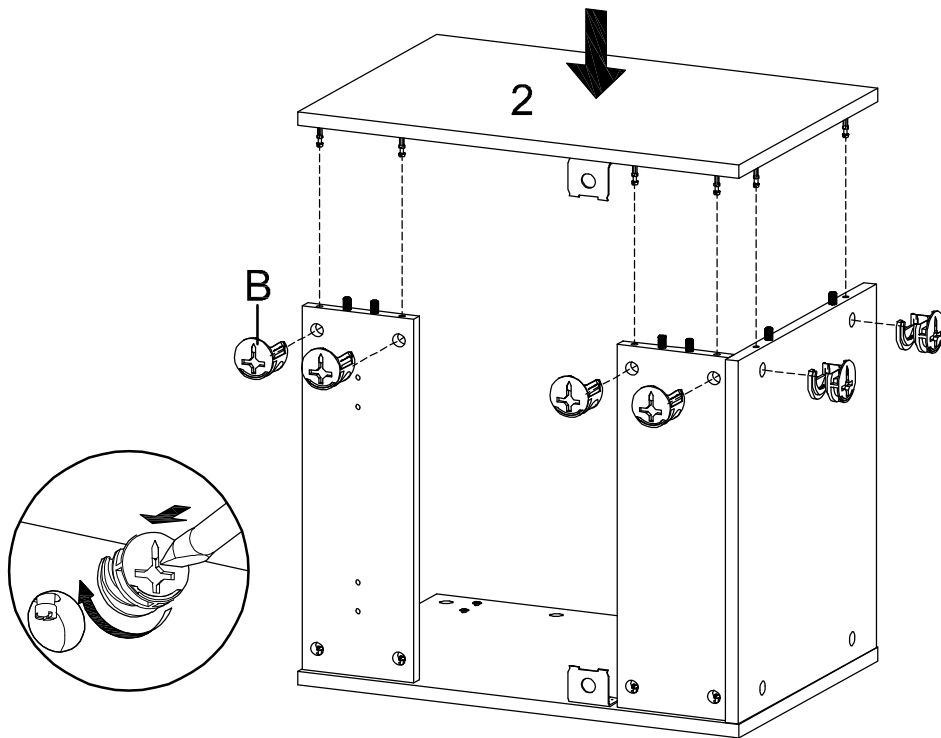
STEP 8:


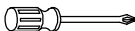


	
B x 6	U x 1

Hardware required.
Screwdriver not included

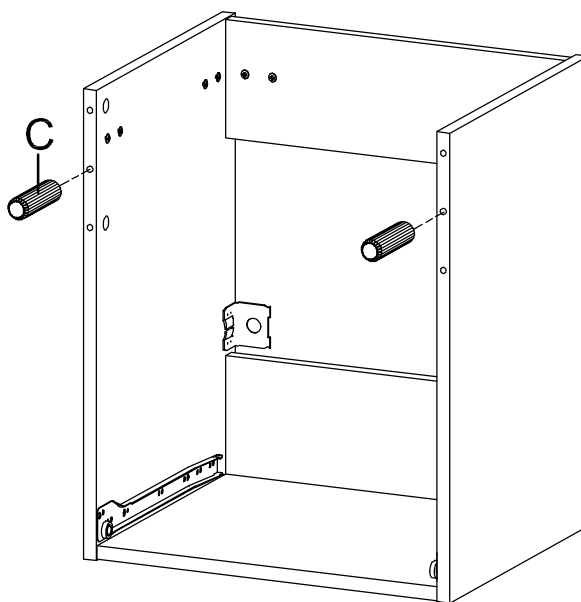
STEP 9:




	
B x 6	U x 1

Hardware required.
Screwdriver not included

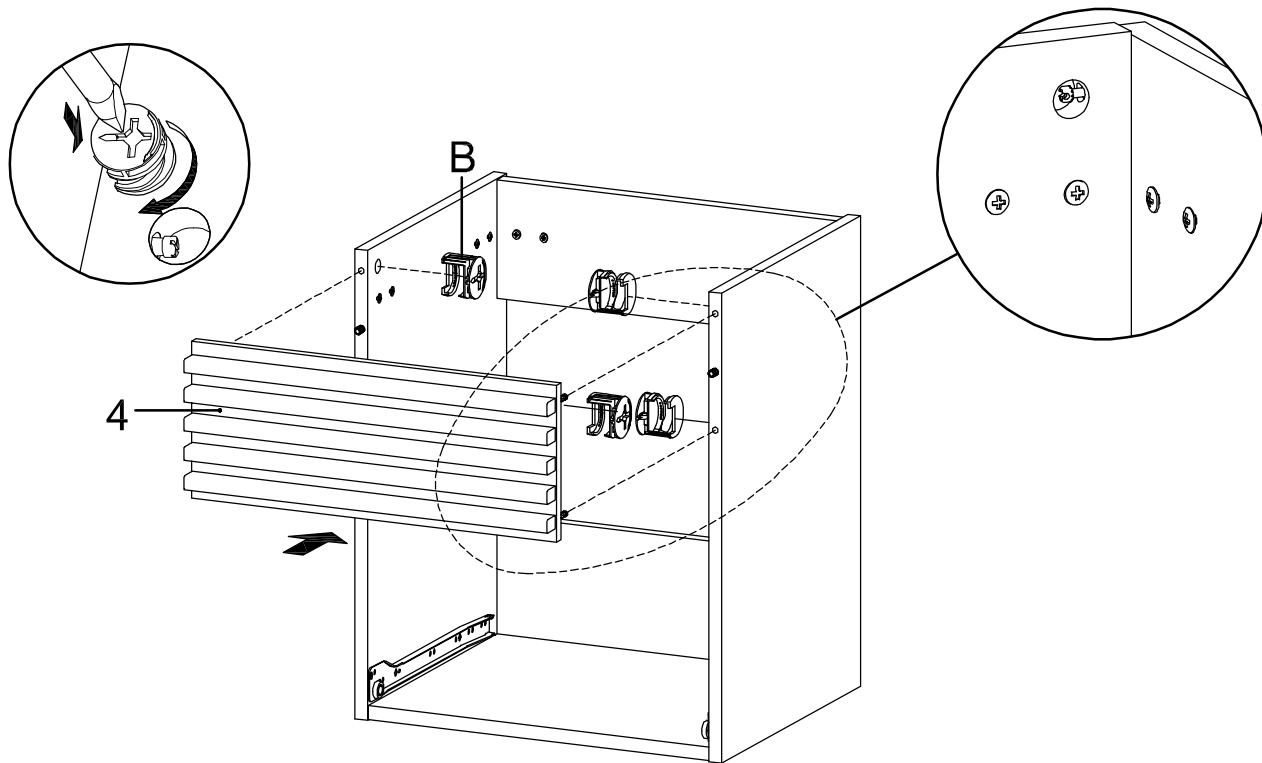
STEP 10:




C x 2

Hardware required.
Screwdriver not included

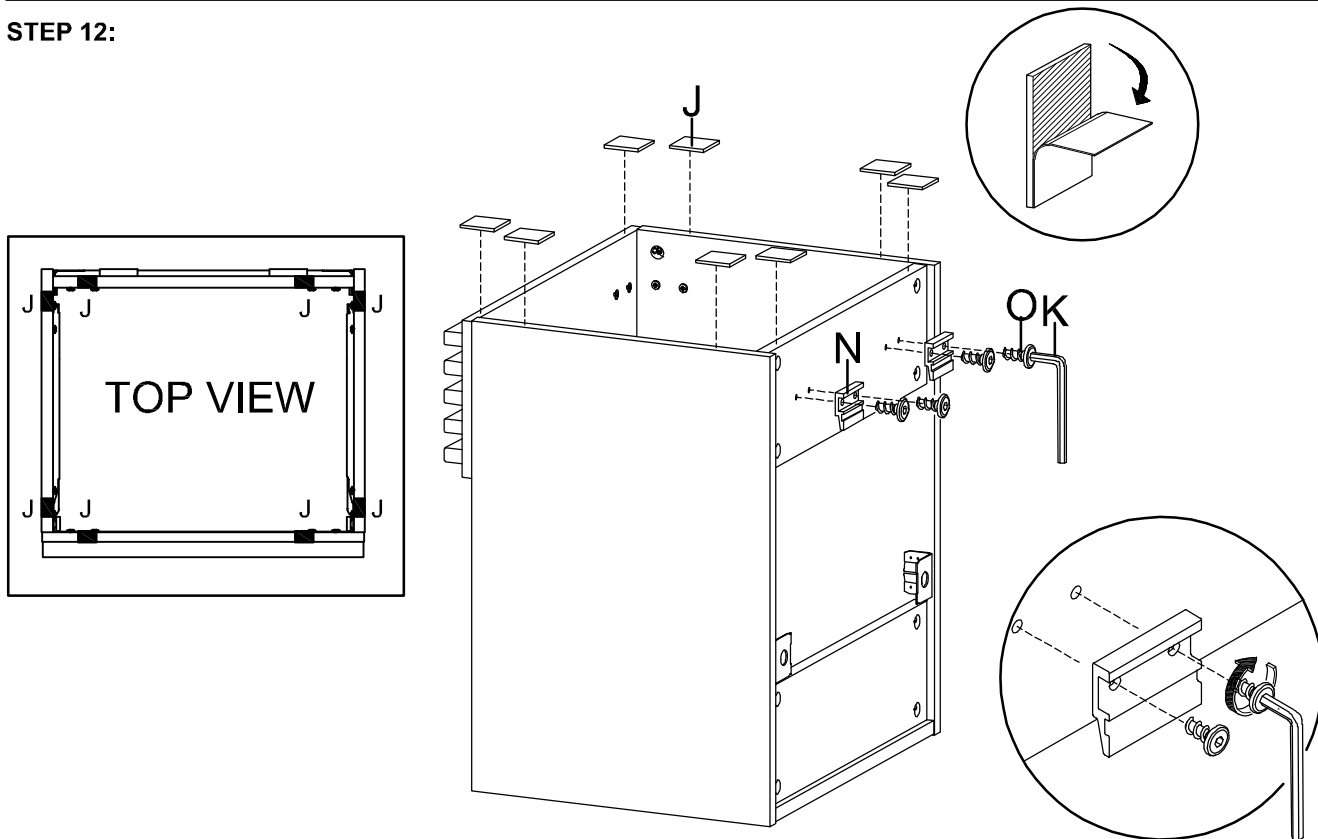
STEP 11:



B x 4	U x 1

Hardware required.
Screwdriver not included

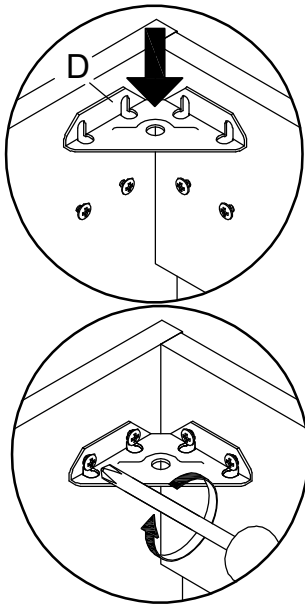
STEP 12:



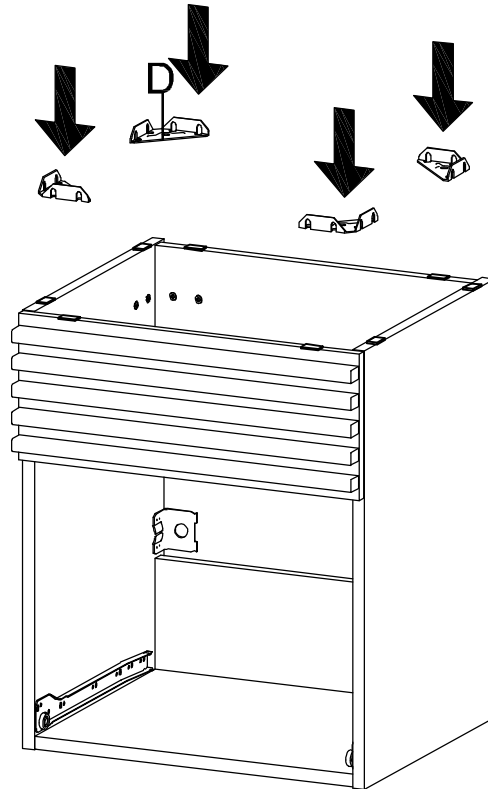
K x 1	N x 2	O x 4	J x 8

Hardware required.

STEP 13:



NOTE :
Tighten all the screw

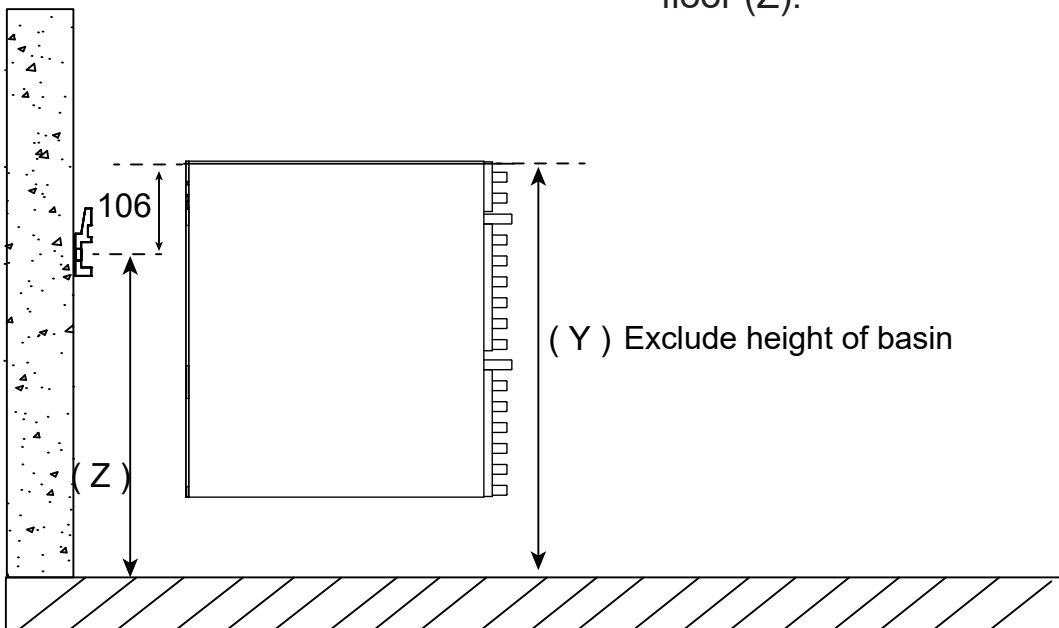


D x 4	U x 1

Hardware required.
Screwdriver not included

STEP 14:

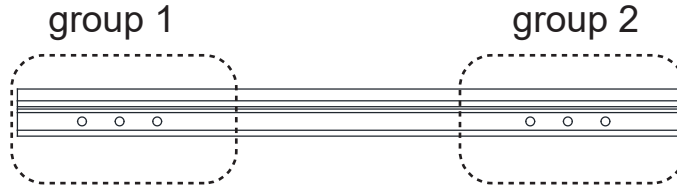
Determine your desired height (Y), then subtract by 106 mm.
This is the drill holes height from the floor (Z).






STEP 15:

Please use minimum 2 holes each group, to apply the wall plug and screw. Use additional holes when necessary.

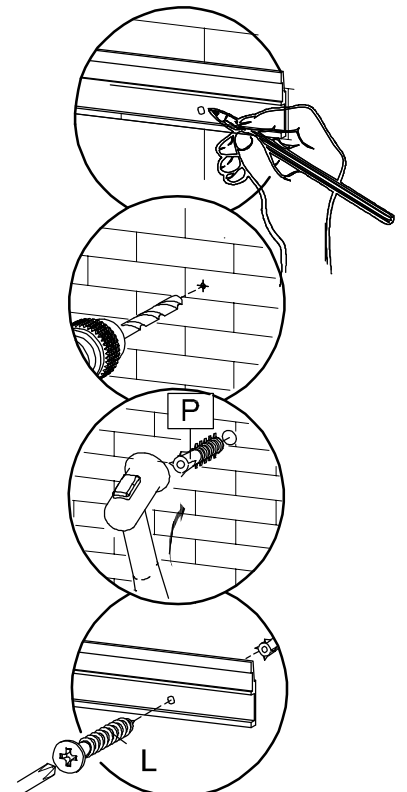
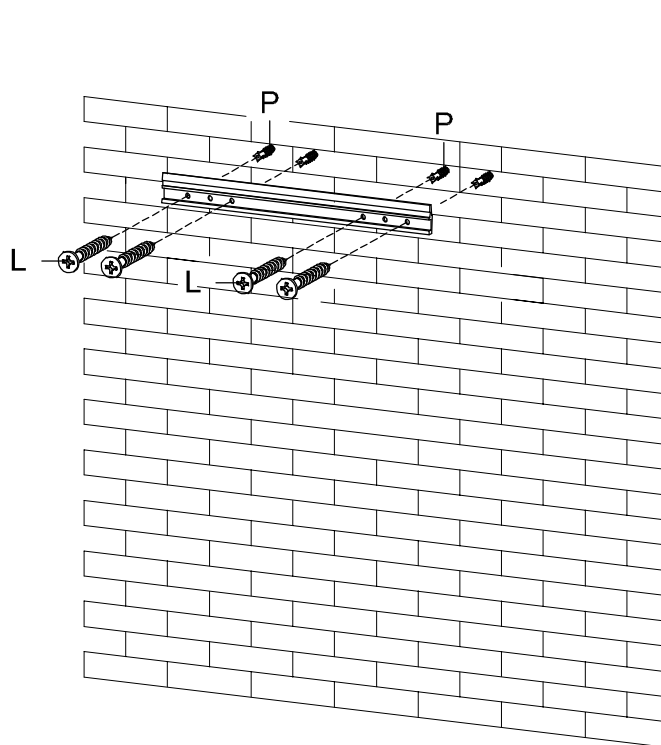
* Long Bracket




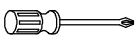


Different wall materials require unique wall fasteners. The wall plugs (P) and screws (L) are designed for fixing to concrete walls only. Please consult your local hardware store to ensure you are using the correct hardware for your wall type.

		
Q	L	P

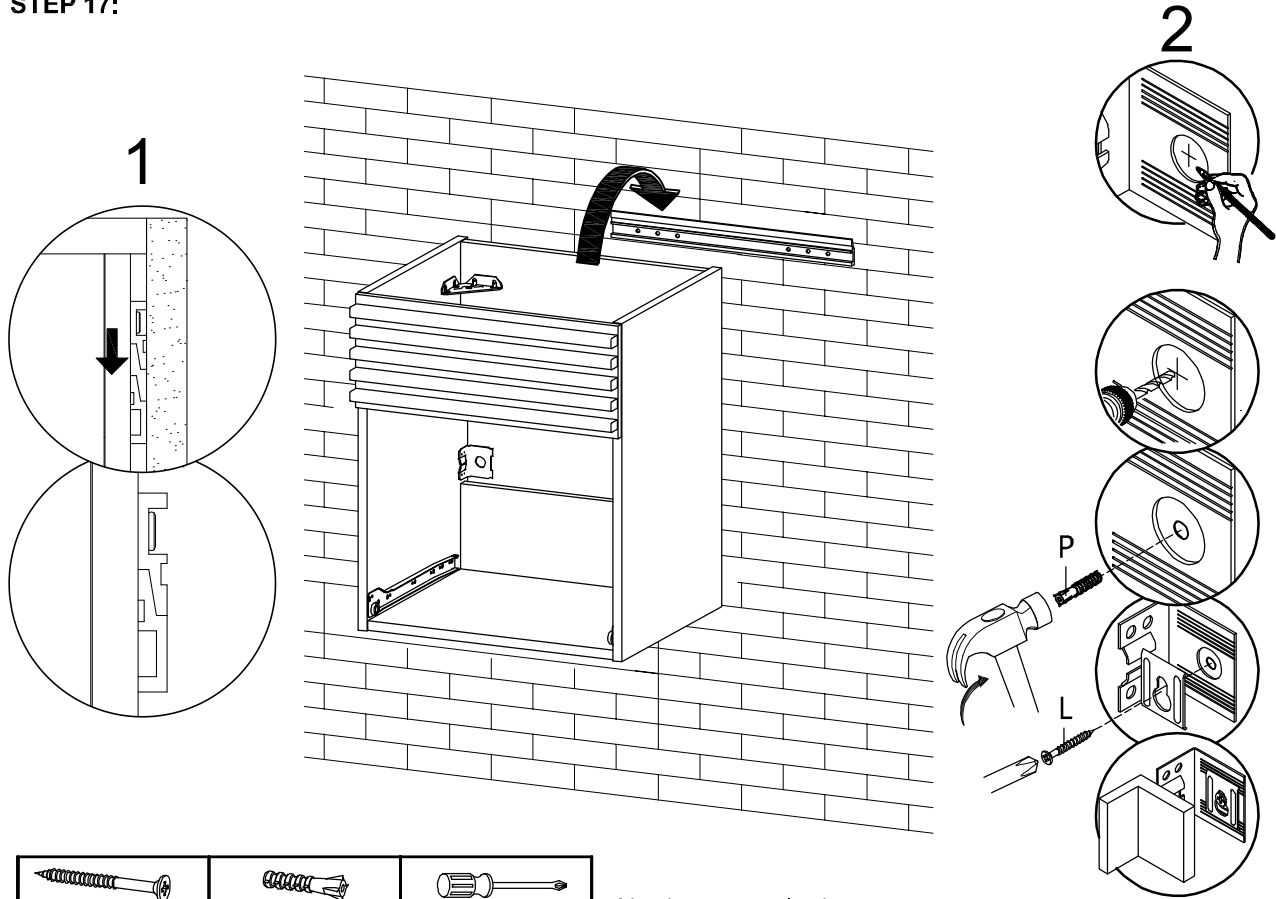
STEP 16:



			
L x 4	P x 4	Q x 1	U x 1

Hardware required.
Screwdriver not included

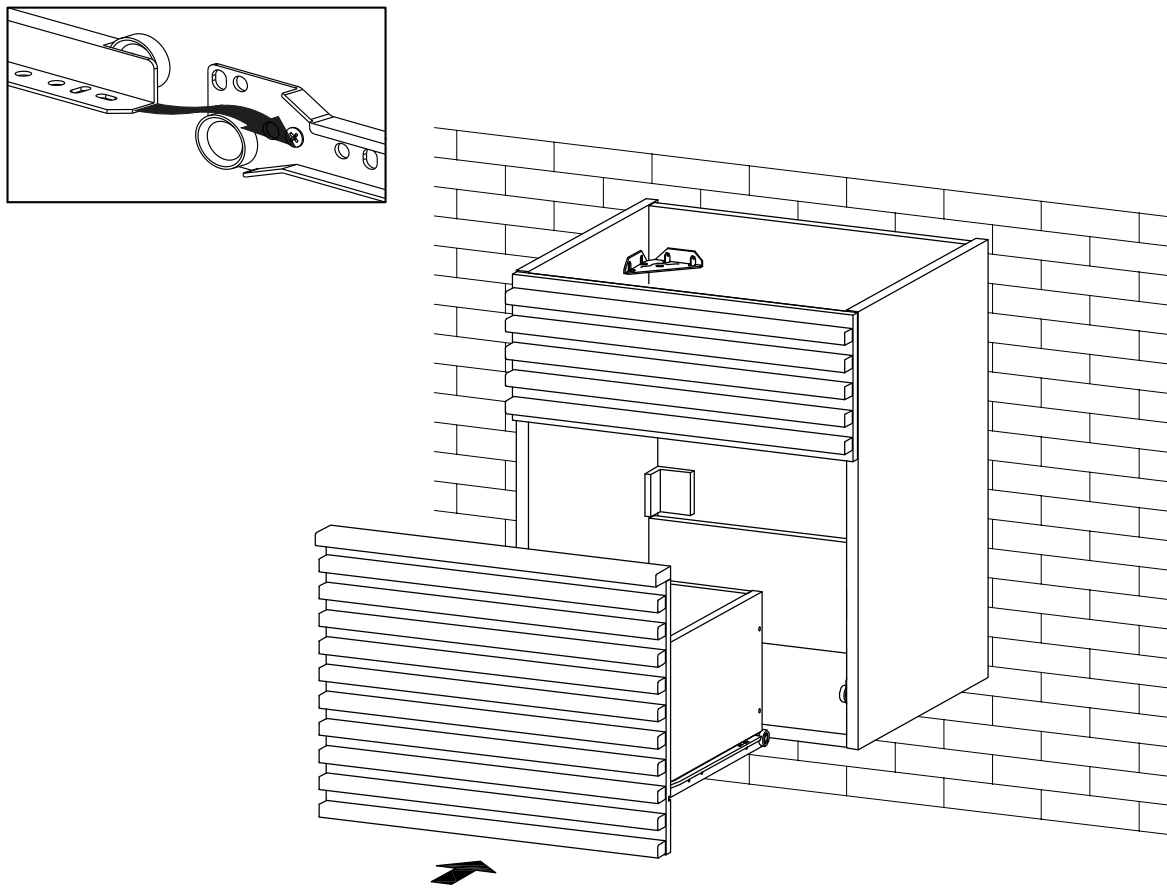
STEP 17:



L x 2	P x 2	U x 1

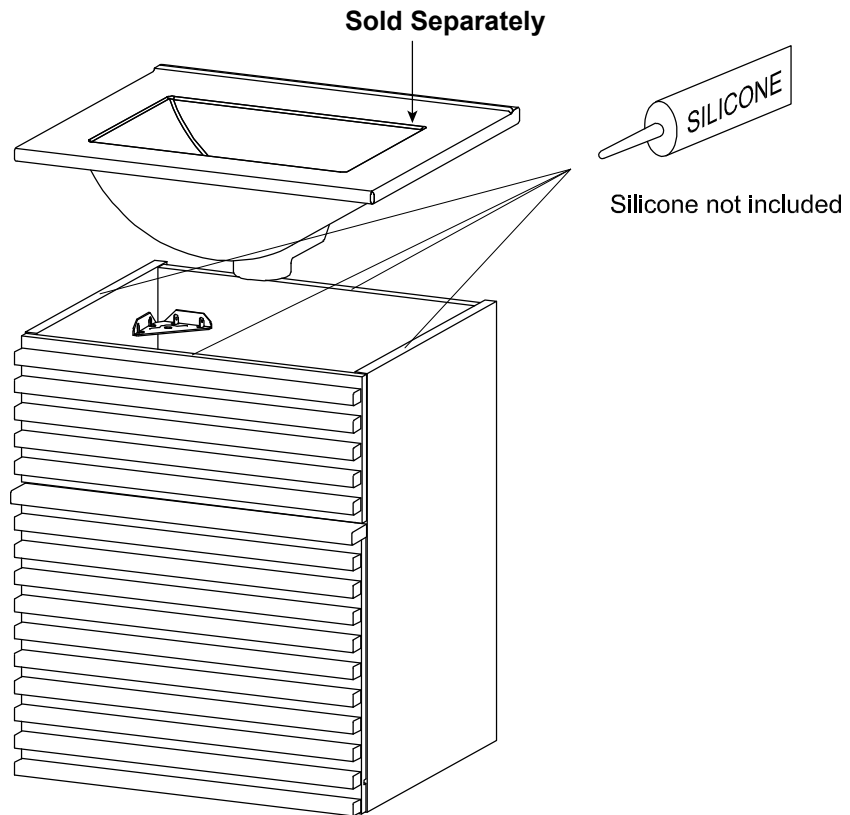
Hardware required.
Screwdriver not included

STEP 18:

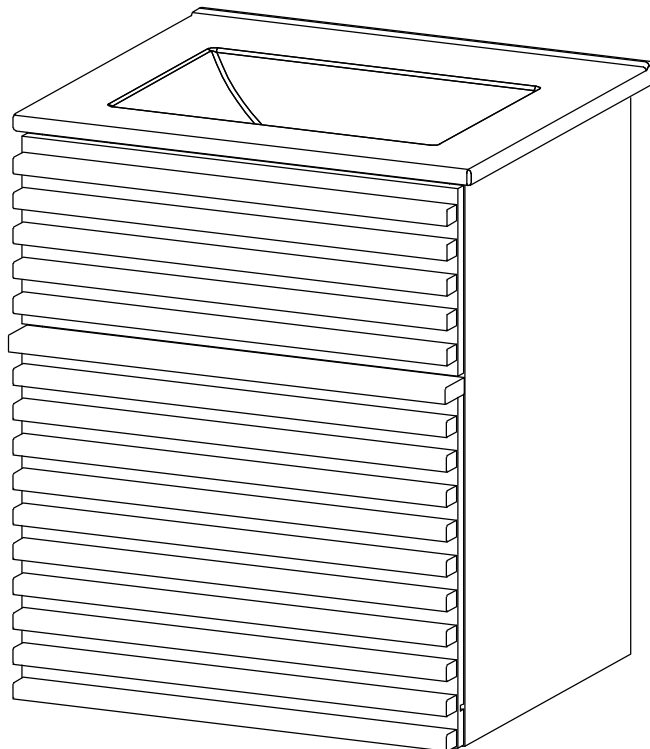


STEP 19:

Apply a thin bead of silicone compound around the vanity base and set the vanity top carefully in place. Remove any excess silicone compound with a wet rag



STEP 20:



Assembly is complete. The Cabinet is ready to enjoy now !