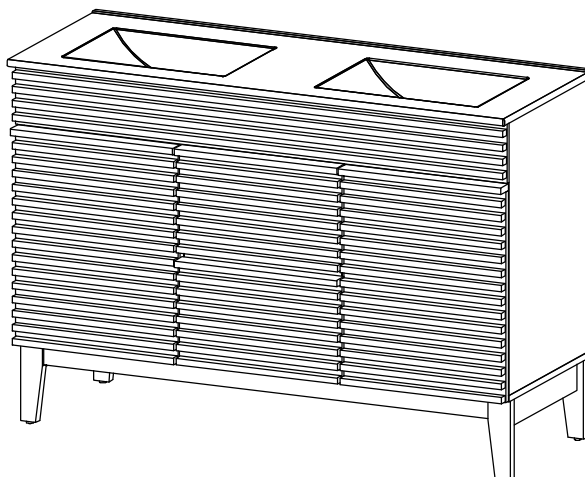


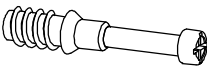


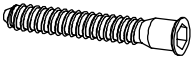

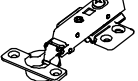
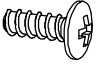
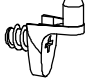
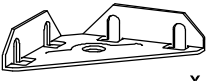
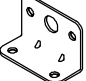


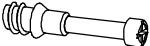

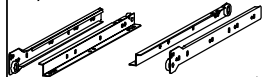




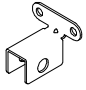


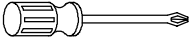
Thank you for purchasing the **MODWAY CABINET** !

Before you start, here are some helpful advice:

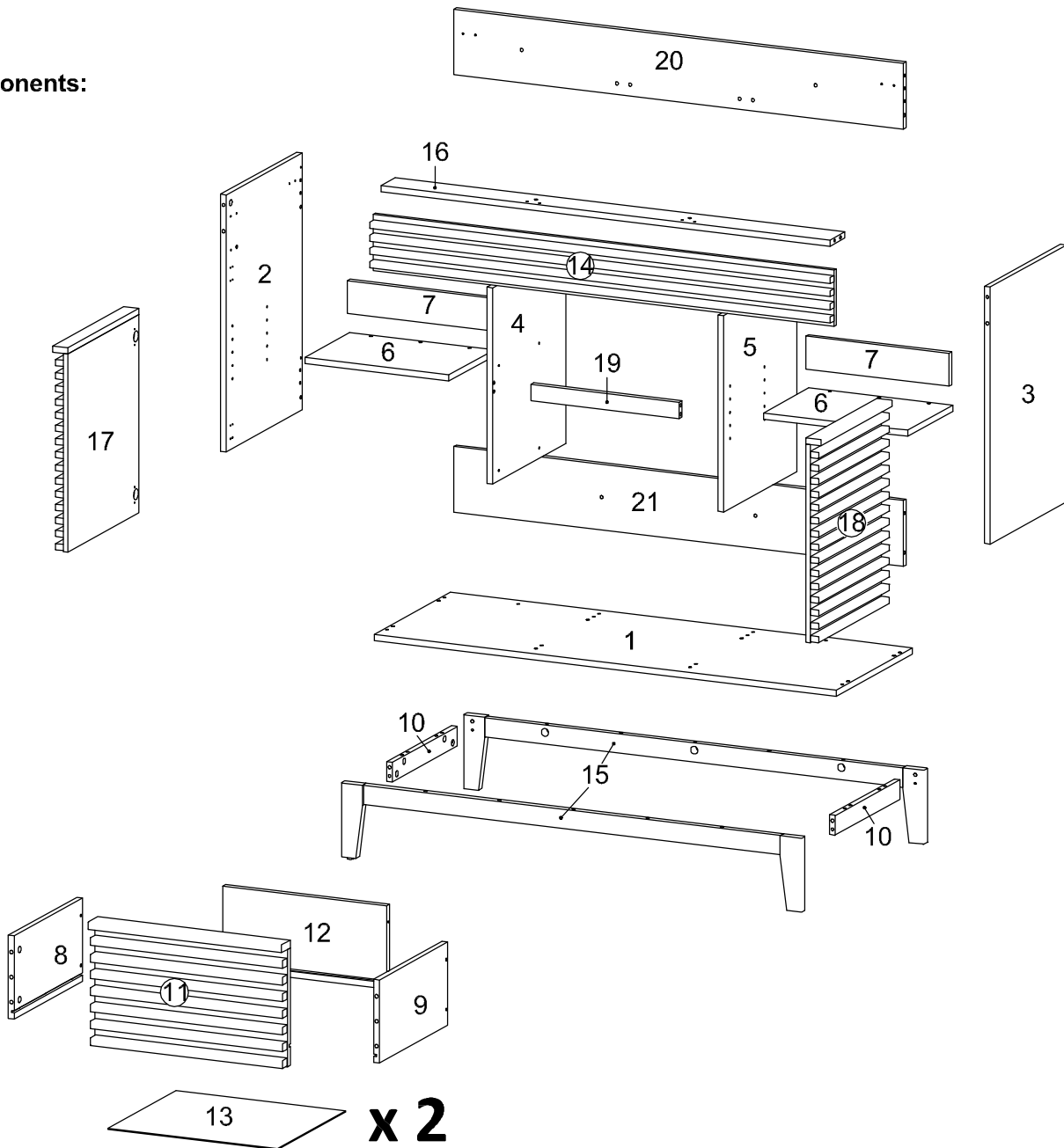
1. We suggest you spend a short time reading through this leaflet and then follow the simple step-by-step instructions.
2. Owing to the size and weight of the Cabinet, we recommend that it is assembled by two adults, on a carpeted or padded area, in the room that it is intended for. Approximate assembly time: 70 minutes.
3. Please do not use any tools other than those provided or recommended in these instructions.
4. Please do not throw away any of the packaging or instructions until you have checked all the components and hardware and the furniture is fully assembled.
5. Assemble all components loosely until advised to tighten. Depending on use, it may be necessary to tighten the components from time to time, so please save the tools that have been provided.
6. Please keep all pieces out of reach of children.



Hardware :

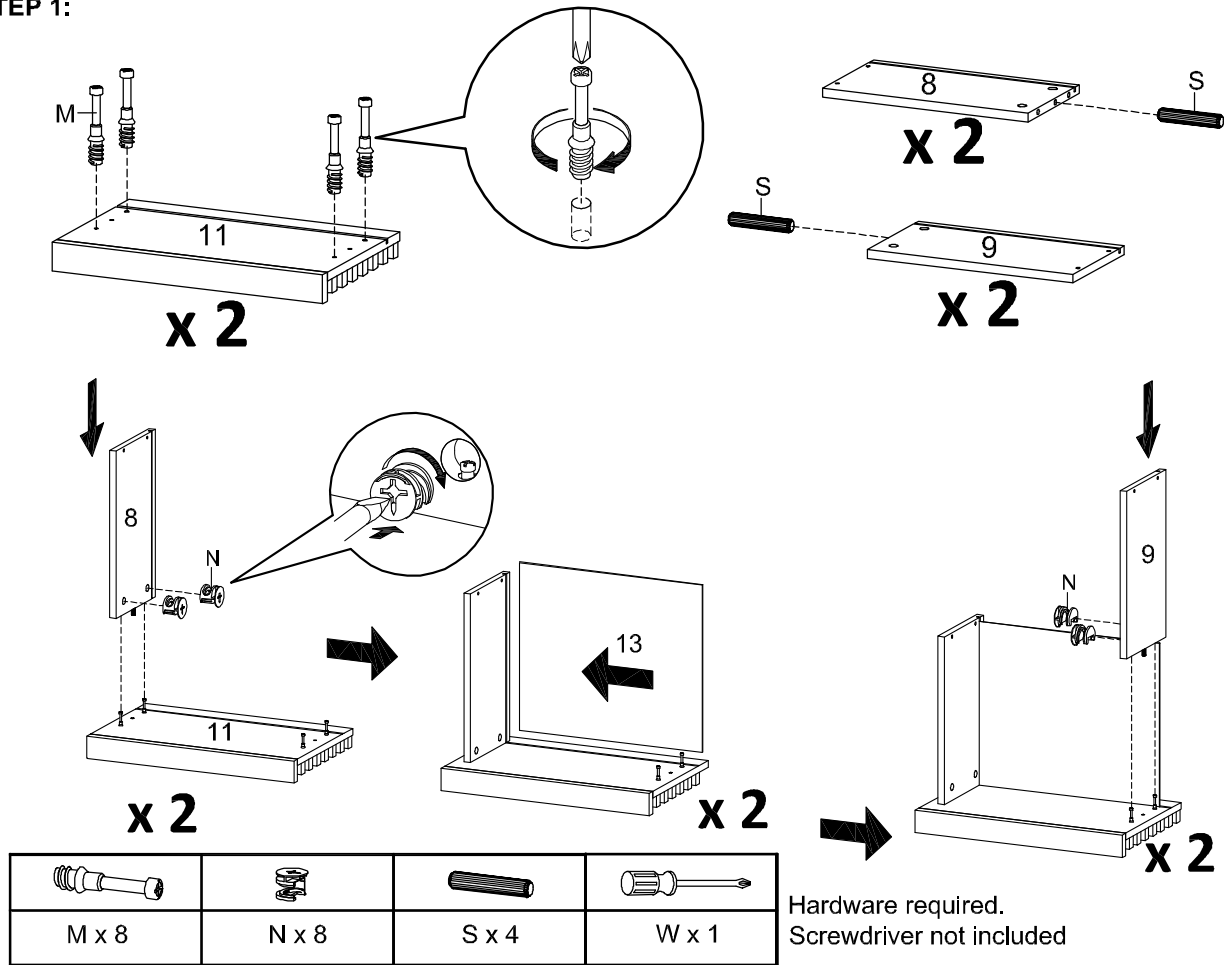
A) Cambolt Big/Metal  \varnothing 6 x 35 mm x 24	B) CamLock Big /Metal  \varnothing 15 mm x 26	C) Dowel Big /Wood  \varnothing 8x30 mm x 40	D) Screw/Metal  M 7 x 50 mm x 19	E) Hex/Allen Key/Metal  L 4 x 2
F) Hinge set/Metal  x 4	G) Screw/Metal  M 4.5 x 12.5 mm x 52	H) Shelf Support /Metal  x 8	I) Bracket/Metal  x 4	J) Bracket/Metal  x 2
K) Screw/Metal  M 6 x 10.5 mm x 22	L) Floor Protector/Sponge/Felt  25 x 15 x 2 mm x 10	M) Cambolt Small/Metal  \varnothing 6 x 32 mm x 10	N) CamLock Small /Metal  \varnothing 12 mm x 8	O) Rail/Metal  x 2
P) Screw/Metal  M 3.5 x 13 mm x 12	Q) Screw/Metal  M 8 x 39 mm x 8	R) Anti-Deflection Bar/Metal  x 1	S) Dowel Small /Wood  \varnothing 6x30 mm x 4	T) Bracket/Metal  x 2
U) Bracket/Metal  x 2	V) Screw/Metal  M 6 x 15 mm x 2	W) x 1  Screwdriver (Not Include)		

Components:

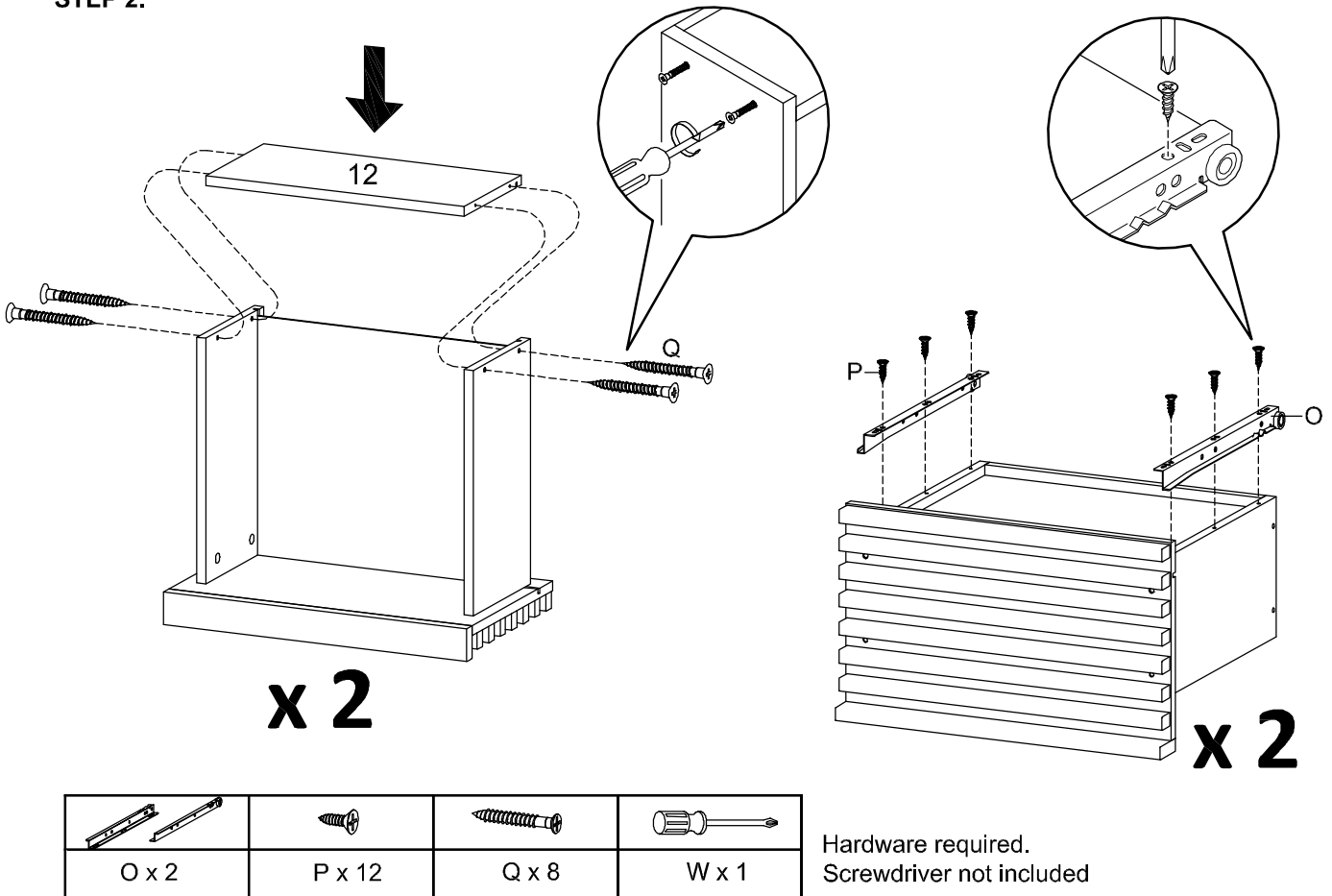


1 Bottom Board	x1	2 Side Board Left	x1	3 Side Board Right	x1	4 Center Board Left	x1
5 Center Board Right	x1	6 Adjustable Shelf	x2	7 Support Board 1	x2	8 Side Drawer Left	x2
9 Side Drawer Right	x2	10 Support Leg	x2	11 Front Drawer	x2	12 Back Drawer	x2
13 Bottom Drawer	x2	14 Front Skirt 1	x1	15 Assembly Leg	x2	16 Support Board 2	x1
17 Frame Door Left	x1	18 Frame Door Right	x1	19 Front Skirt 2	x1	20 Back Skirt 1	x1
21 Back Skirt 2	x1						

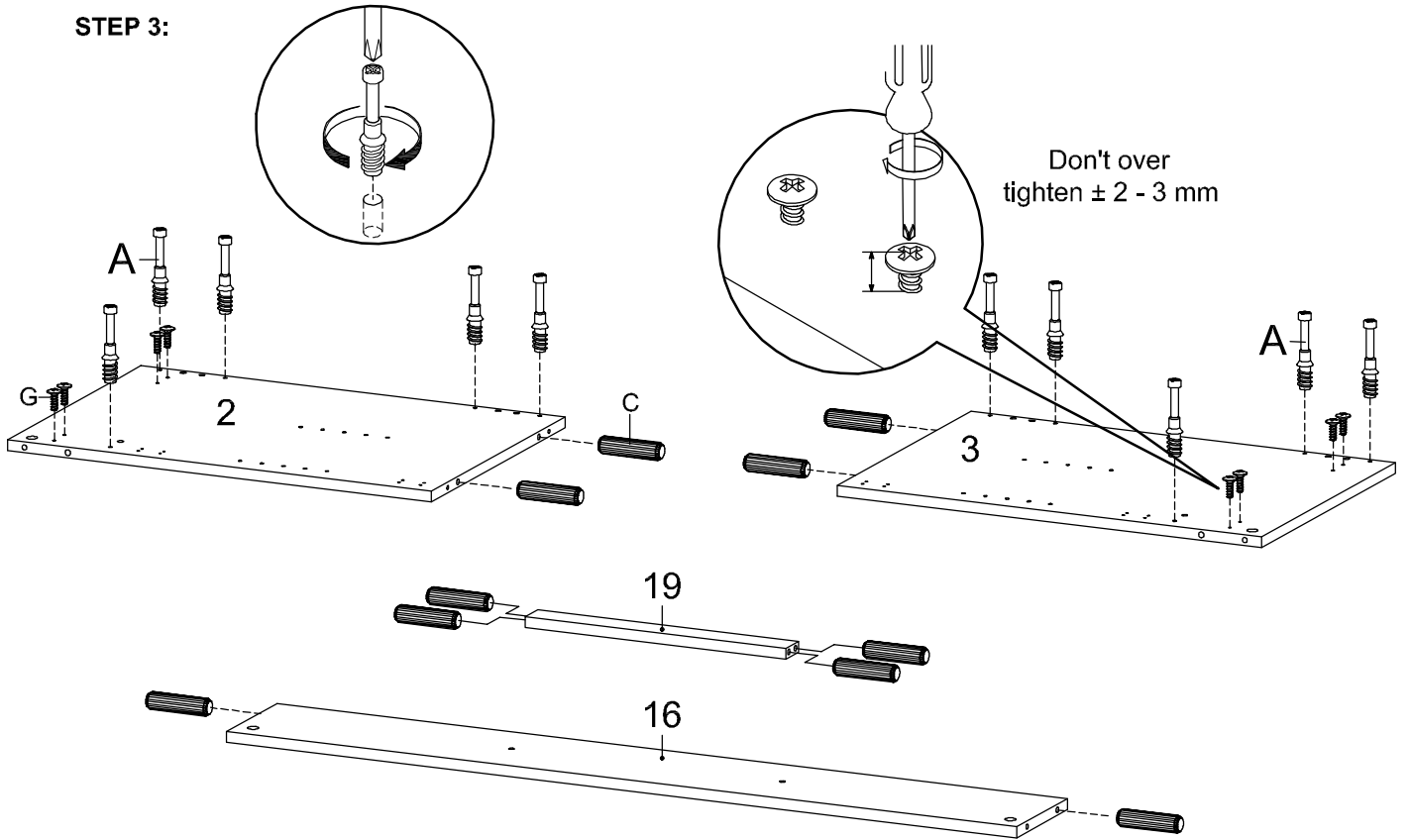
STEP 1:



STEP 2:



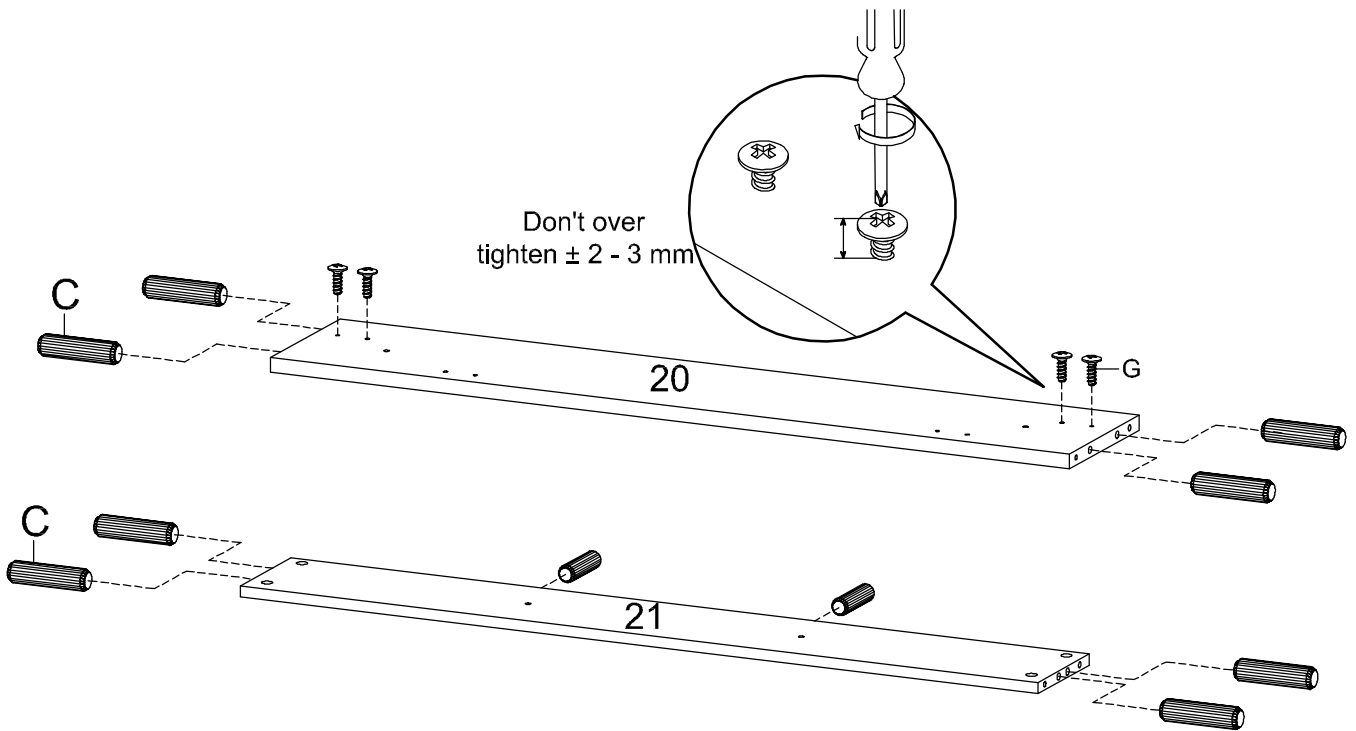
STEP 3:



A x 10	C x 10	G x 8	W x 1

Hardware required.
Screwdriver not included

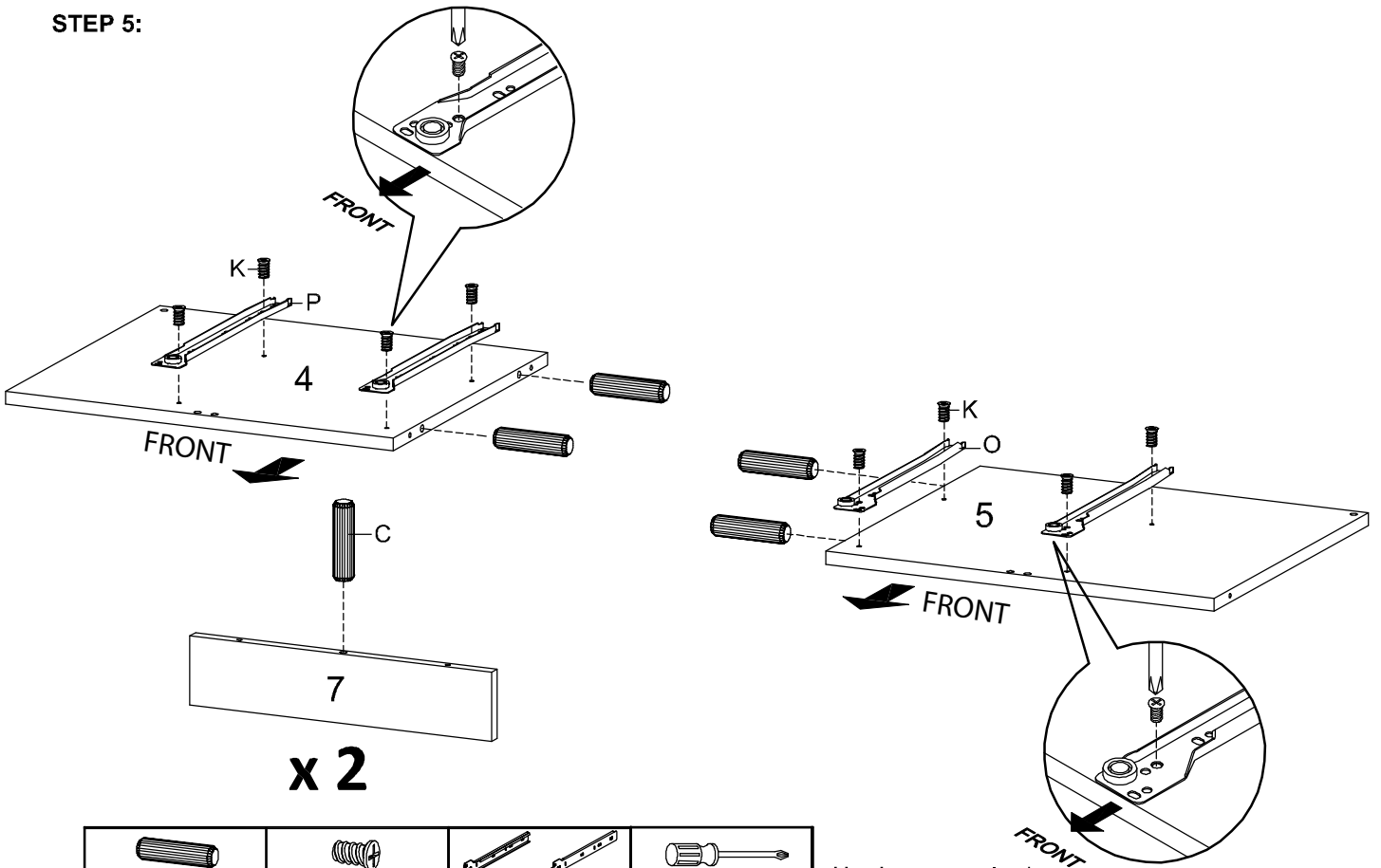
STEP 4:



C x 10	G x 4	W x 1

Hardware required.
Screwdriver not included

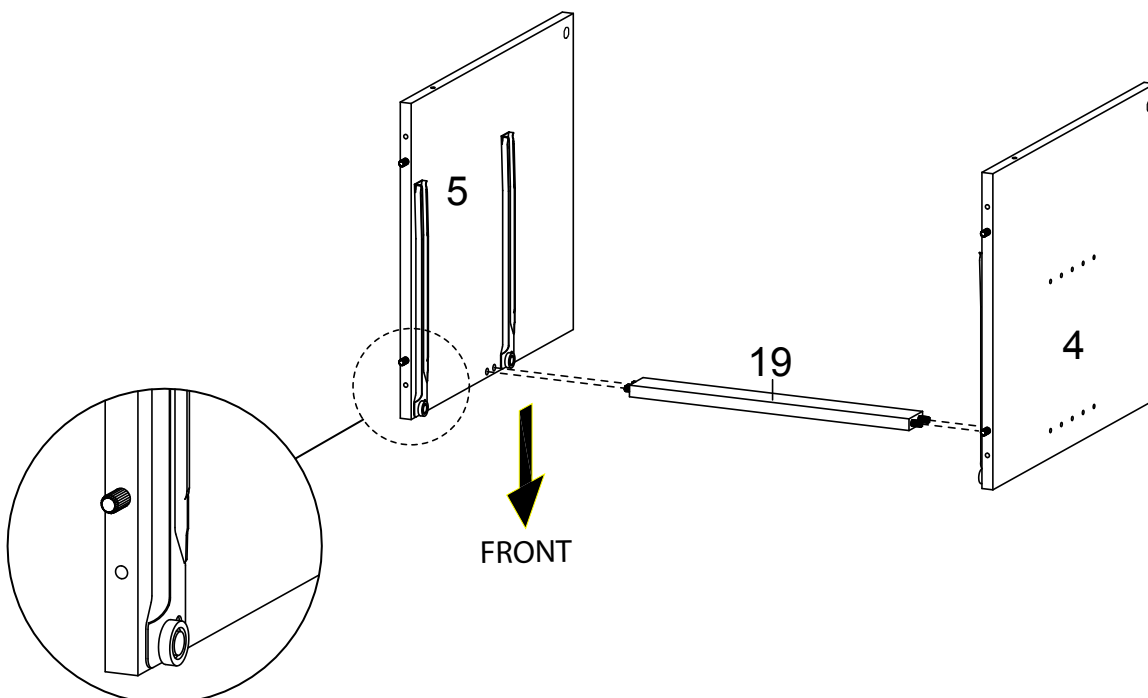
STEP 5:



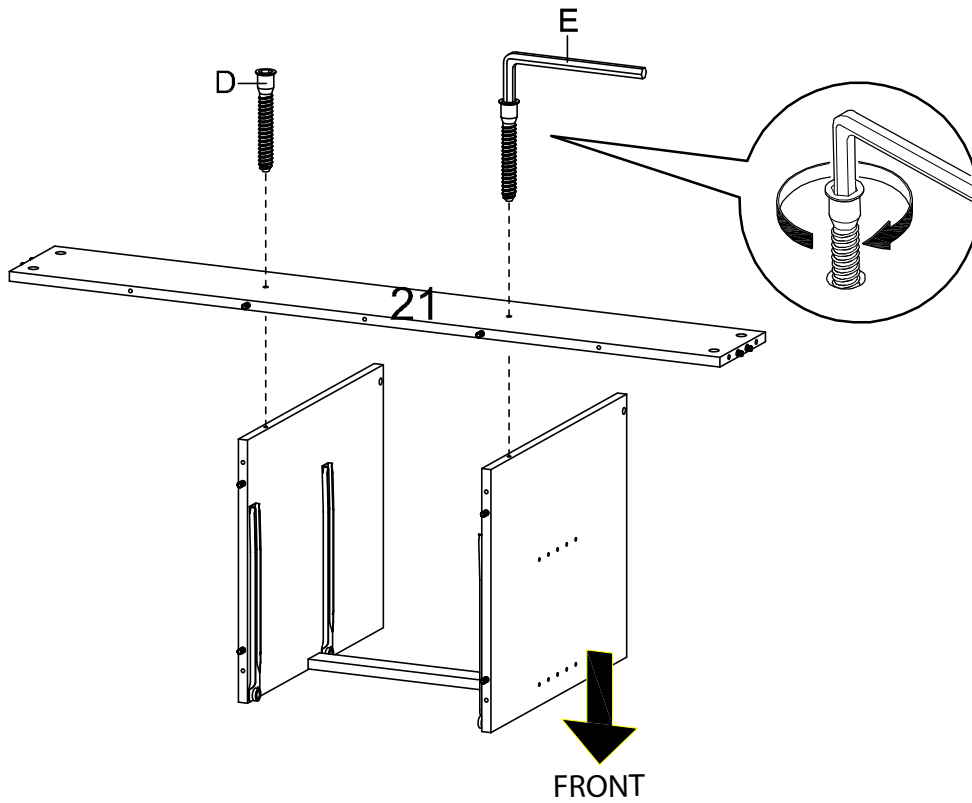
C x 6	K x 8	O x 2	W x 1

Hardware required.
Screwdriver not included

STEP 6:



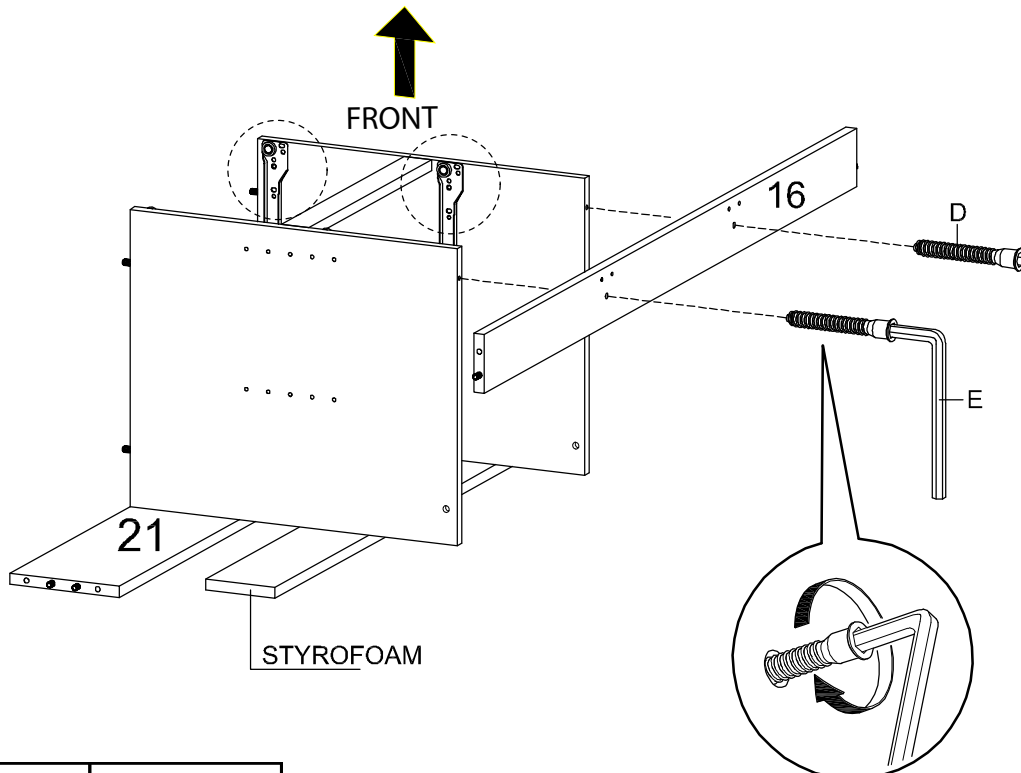
STEP 7:



D x 2	E x 1

Hardware required.

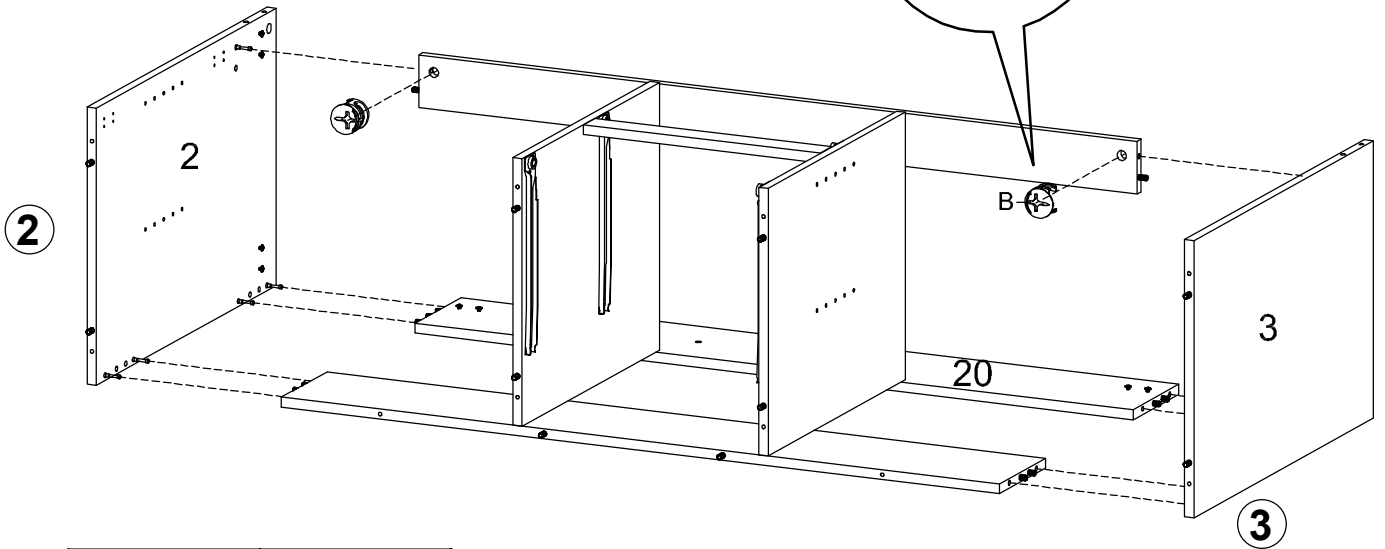
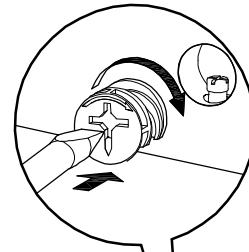
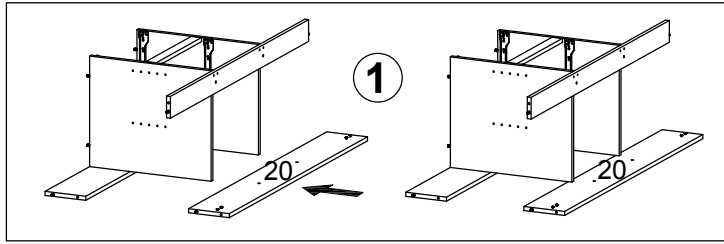
STEP 8:


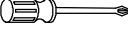


D x 2	E x 1

Hardware required.

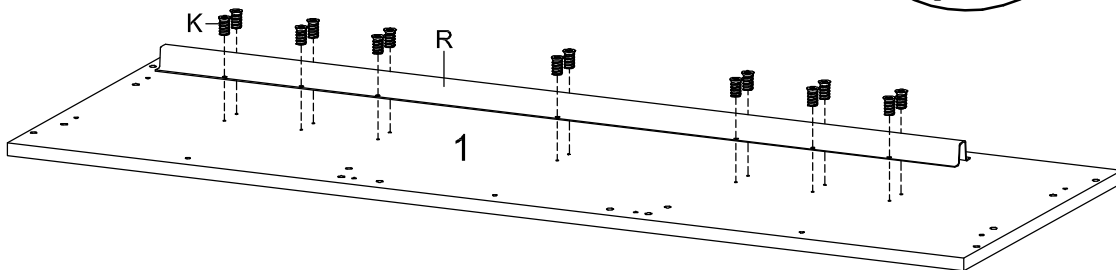
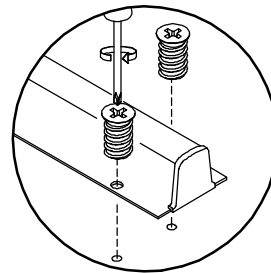
STEP 9:



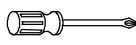


	
B x 2	W x 1

Hardware required.
Screwdriver not included

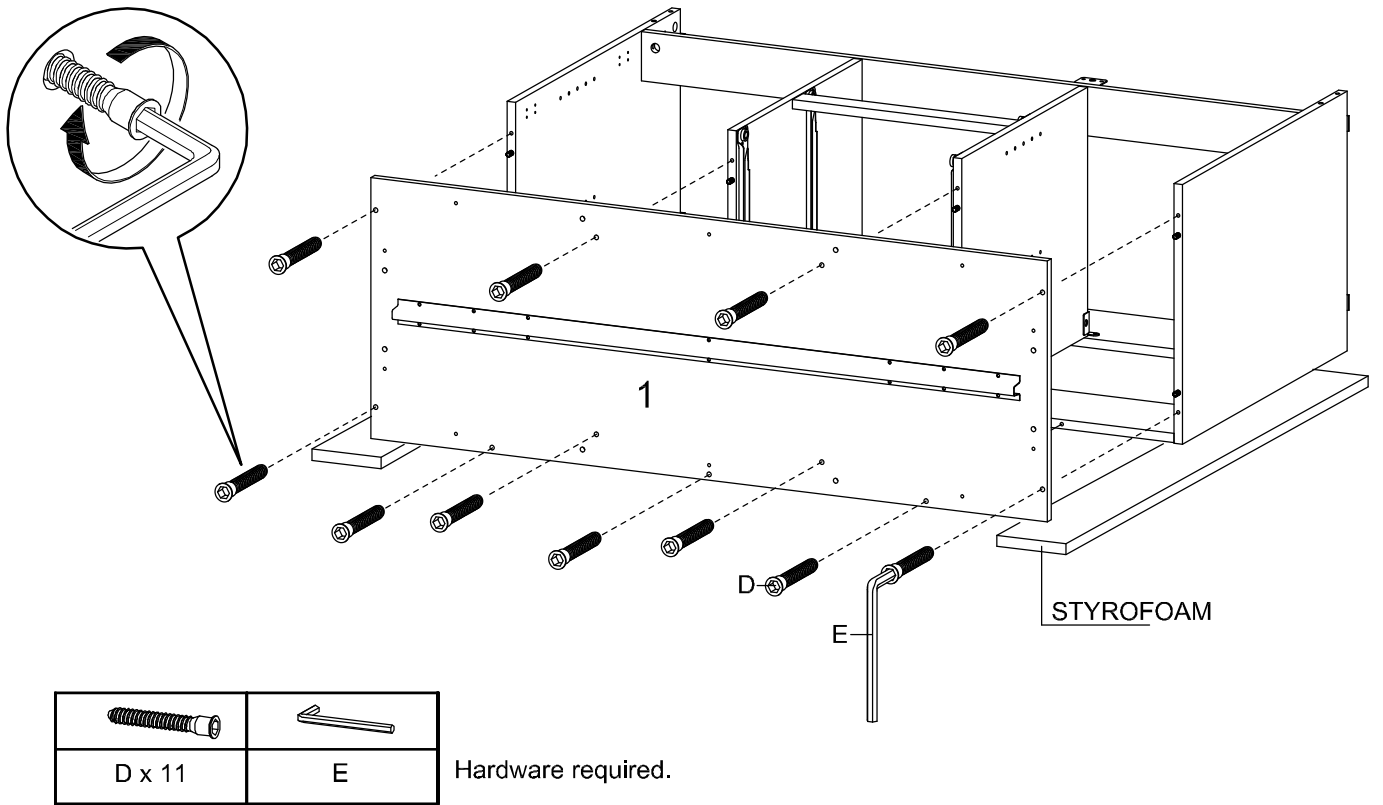
STEP 10:



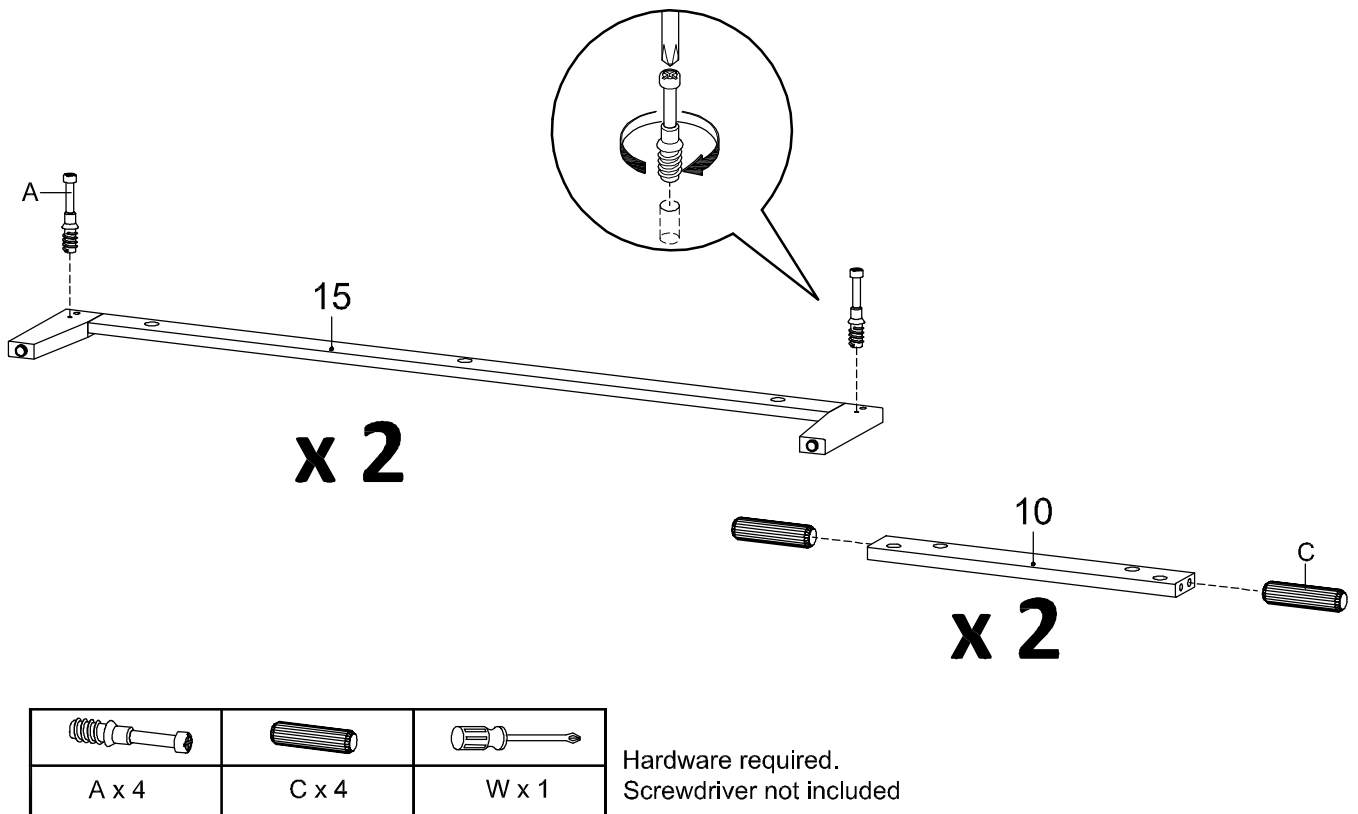
		
K x 14	R x 1	W x 1

Hardware required.
Screwdriver not included

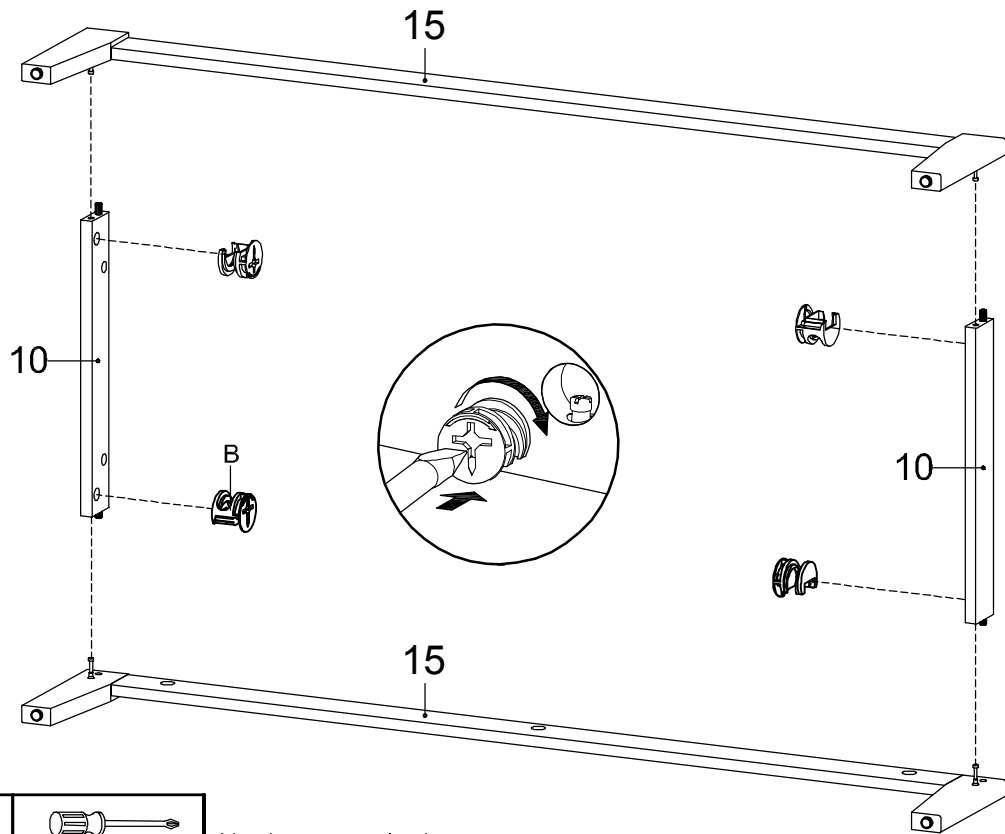
STEP 11:


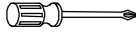


STEP 12:



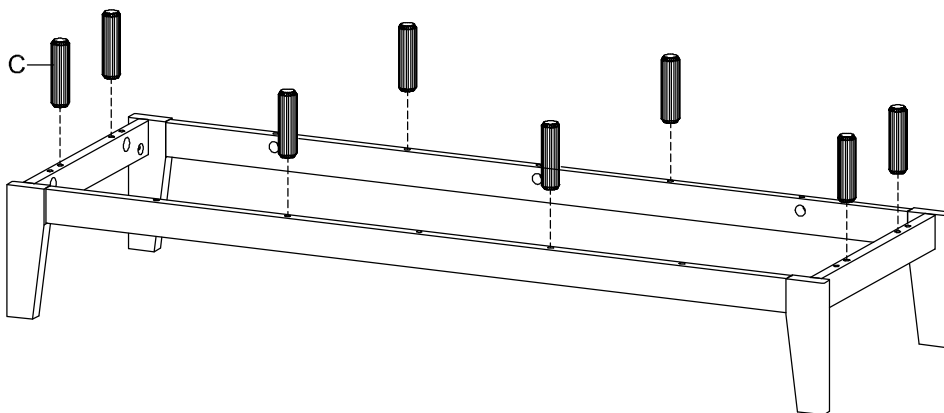
STEP 13:




	
B x 4	W x 1

Hardware required.
Screwdriver not included

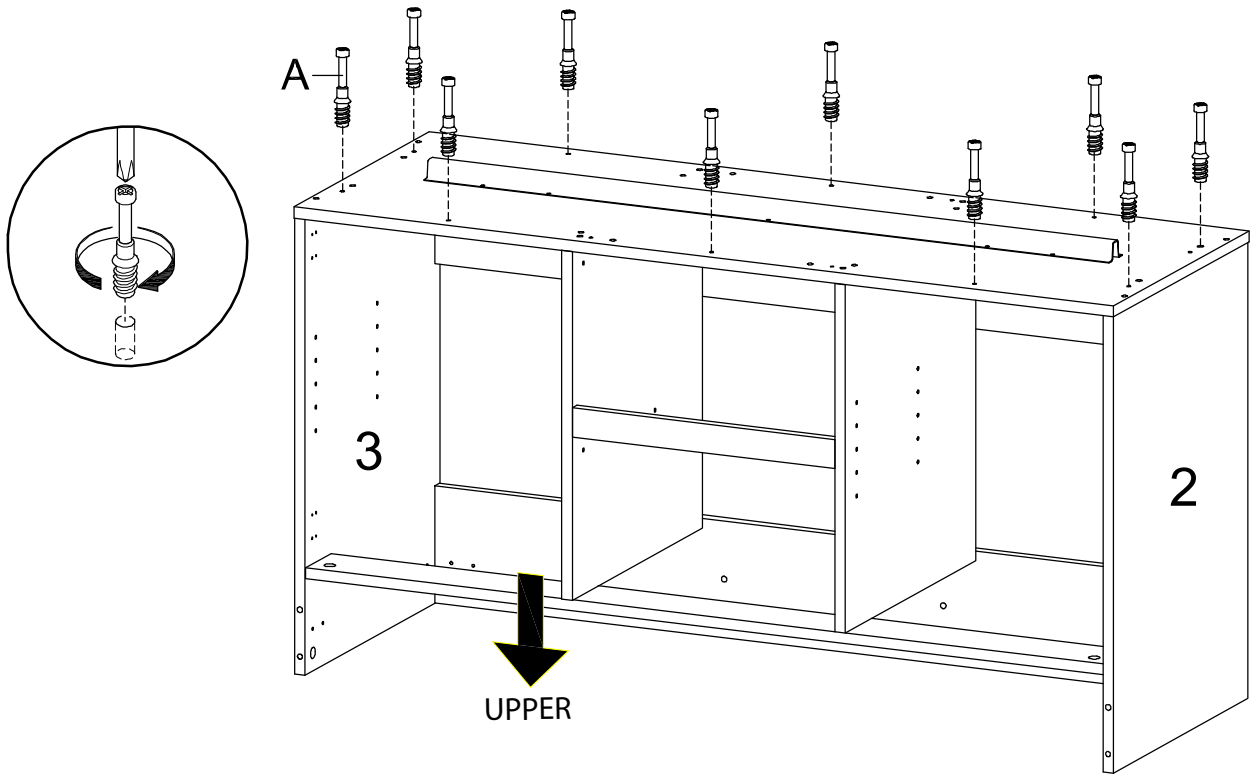
STEP 14:

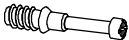
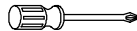



C x 8

Hardware required.

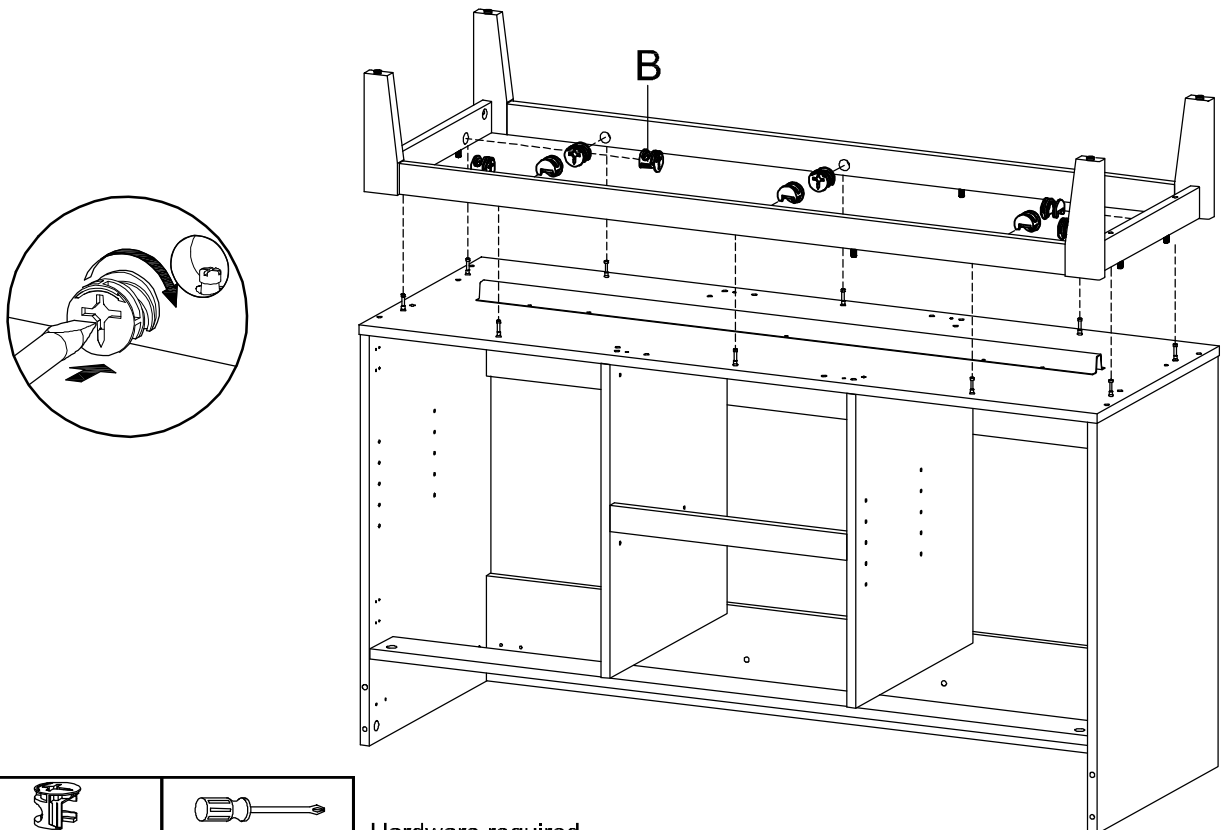
STEP 15:





	
A x 10	W x 1

Hardware required.
Screwdriver not included

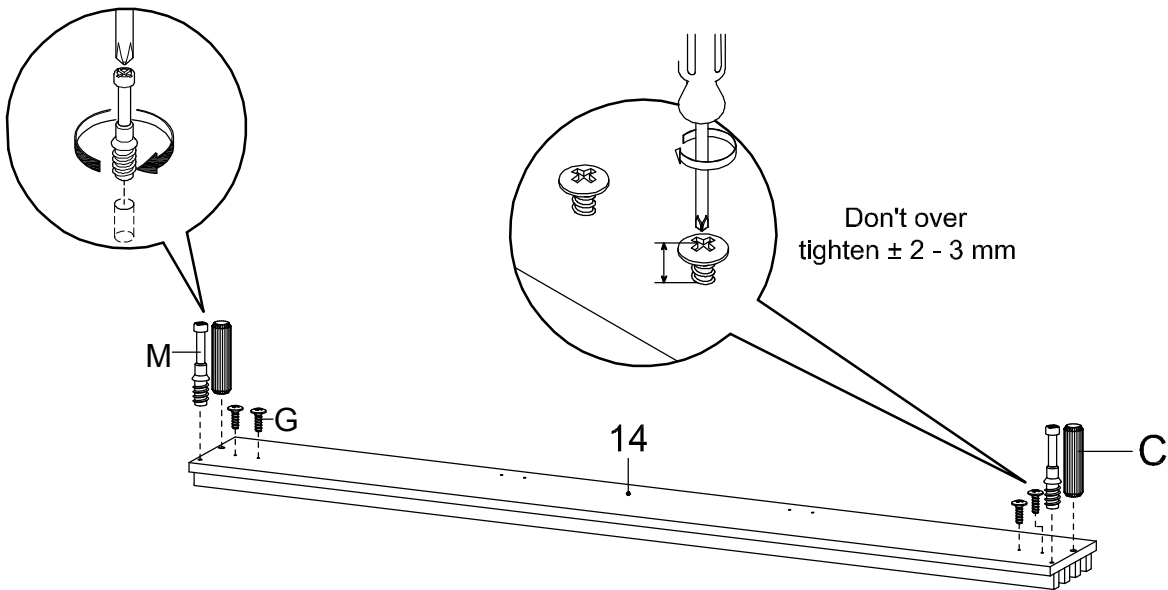
STEP 16:



	
B x 10	W x 1

Hardware required.
Screwdriver not included

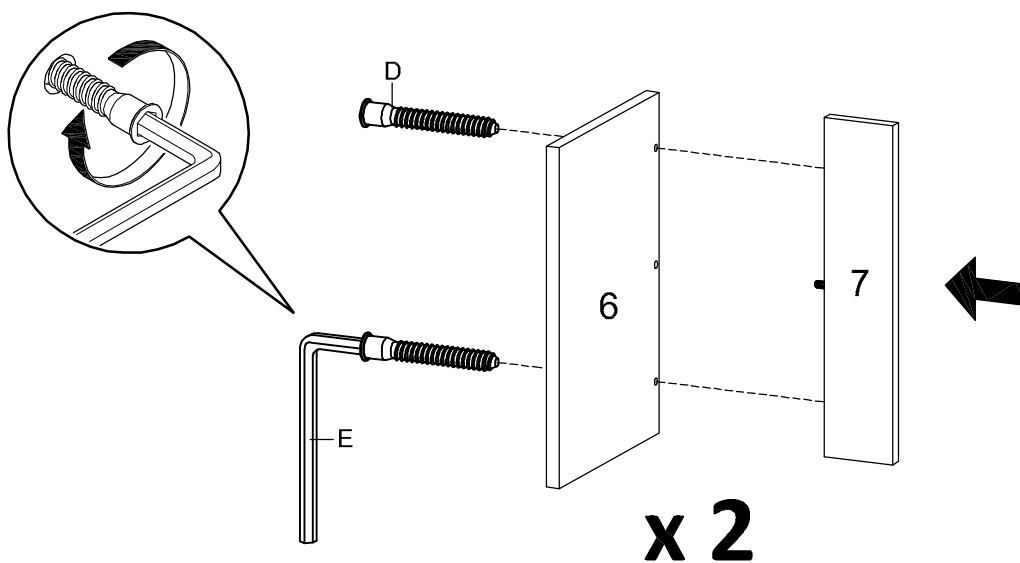
STEP 17:



C x 2	M x 2	G x 4	W x 1

Hardware required.
Screwdriver not included

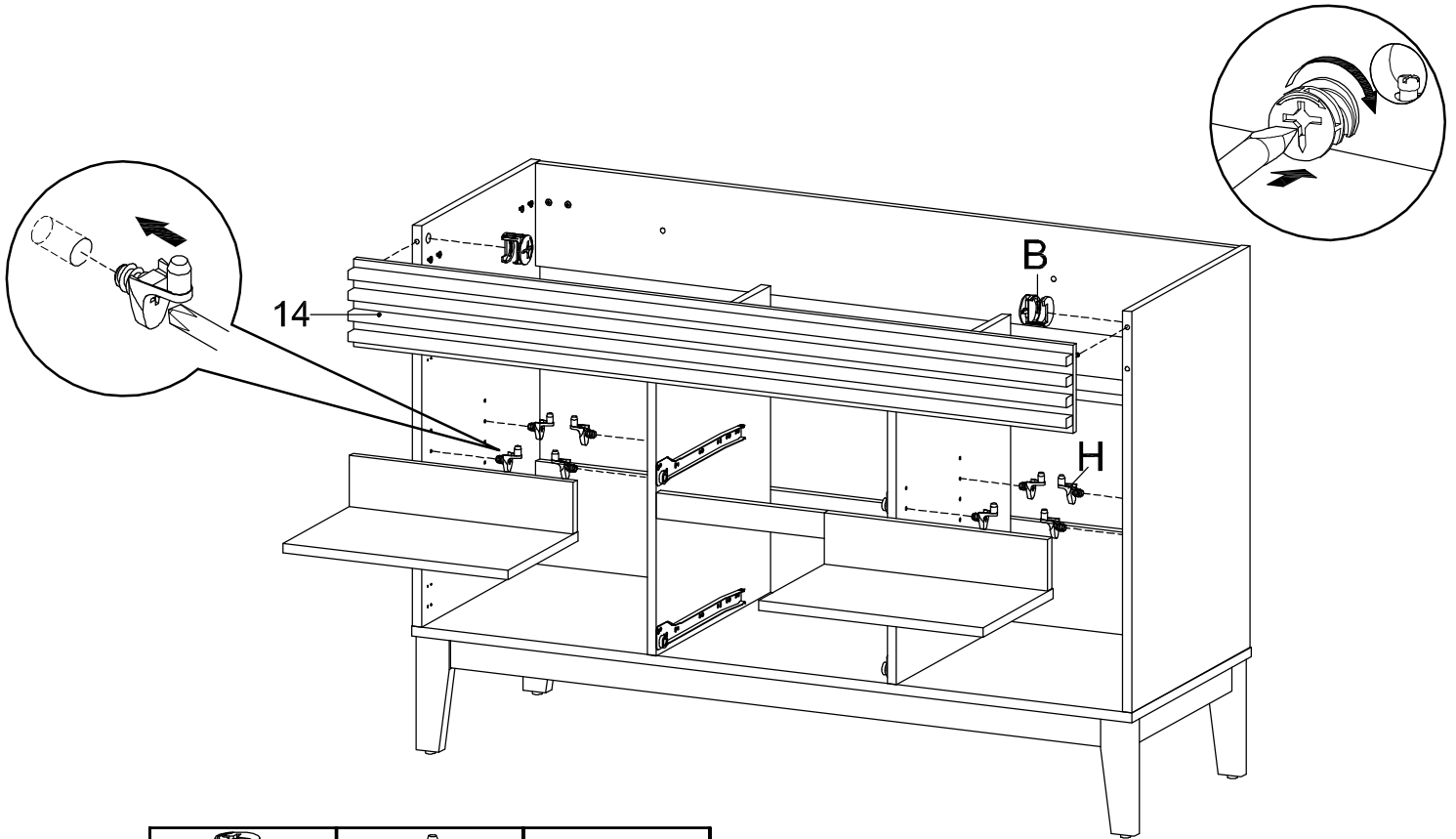
STEP 18:



D x 4	E

Hardware required.

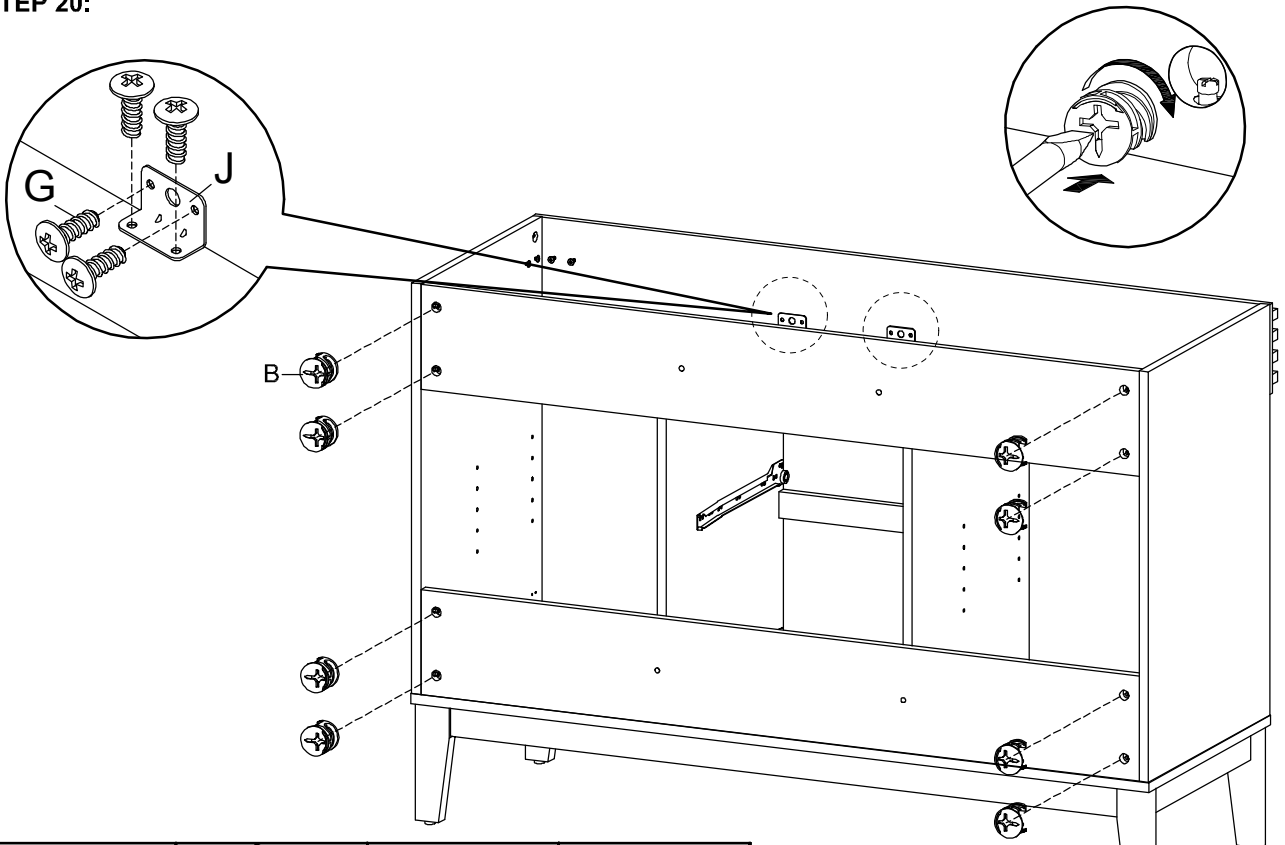
STEP 19:



B x 2	H x 8	W x 1

Hardware required.
Screwdriver not included

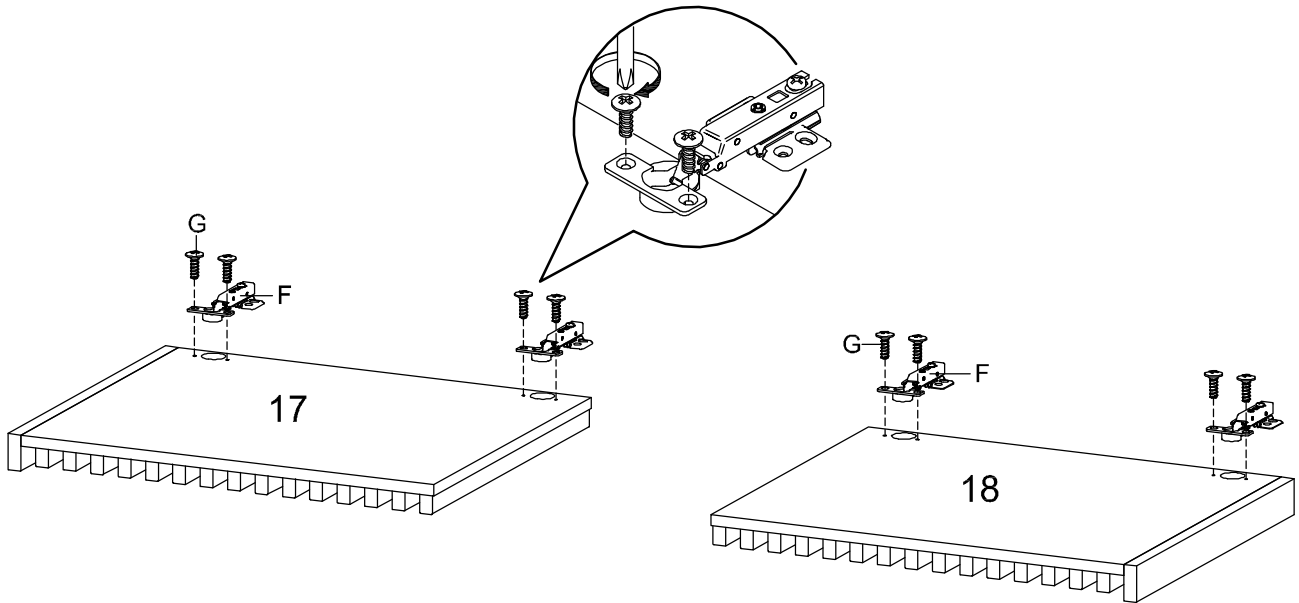
STEP 20:



B x 8	J x 2	G x 8	W x 1

Hardware required.
Screwdriver not included

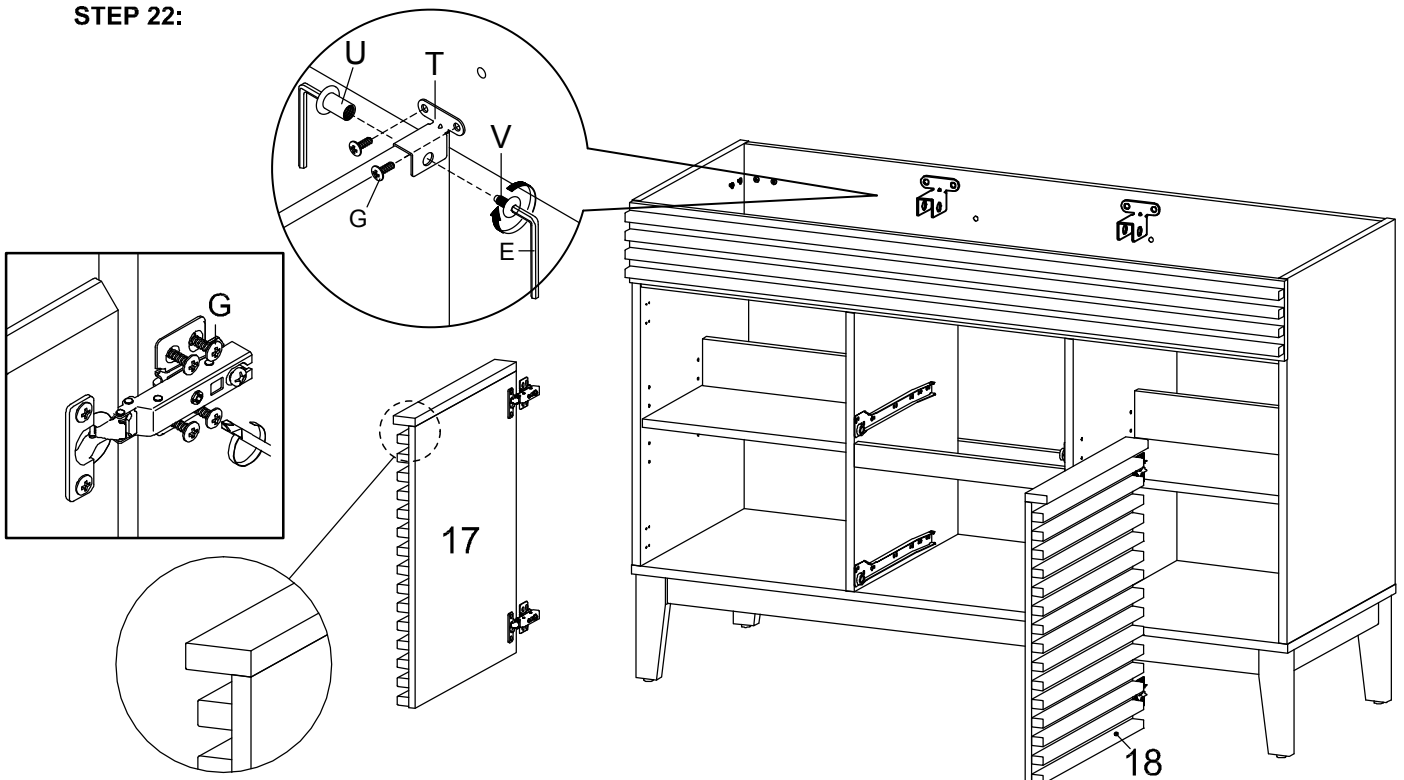
STEP 21:



F x 4	G x 8	W x 1

Hardware required.
Screwdriver not included

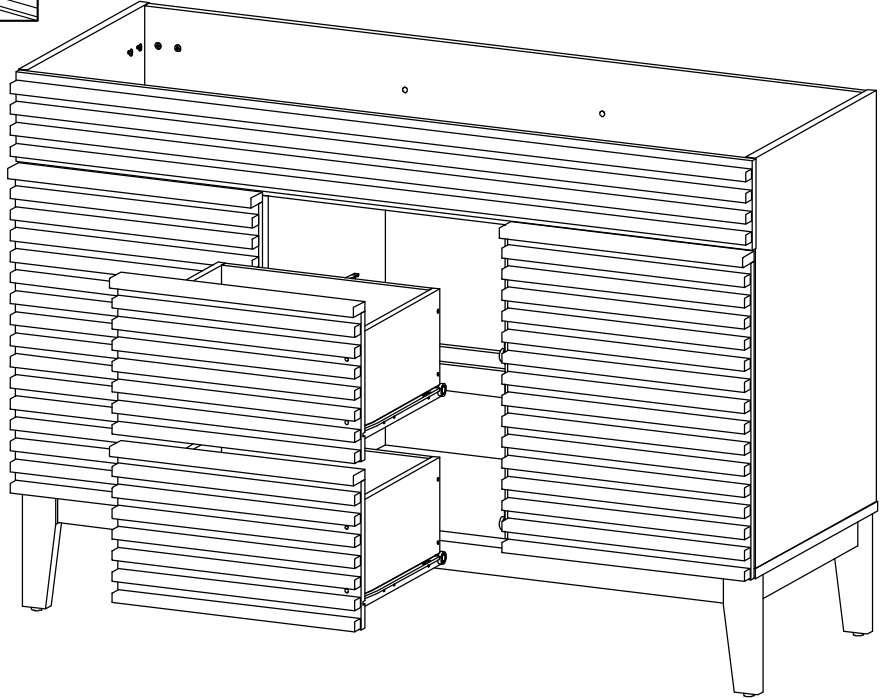
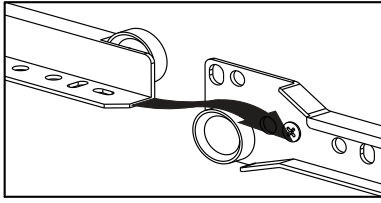
STEP 22:



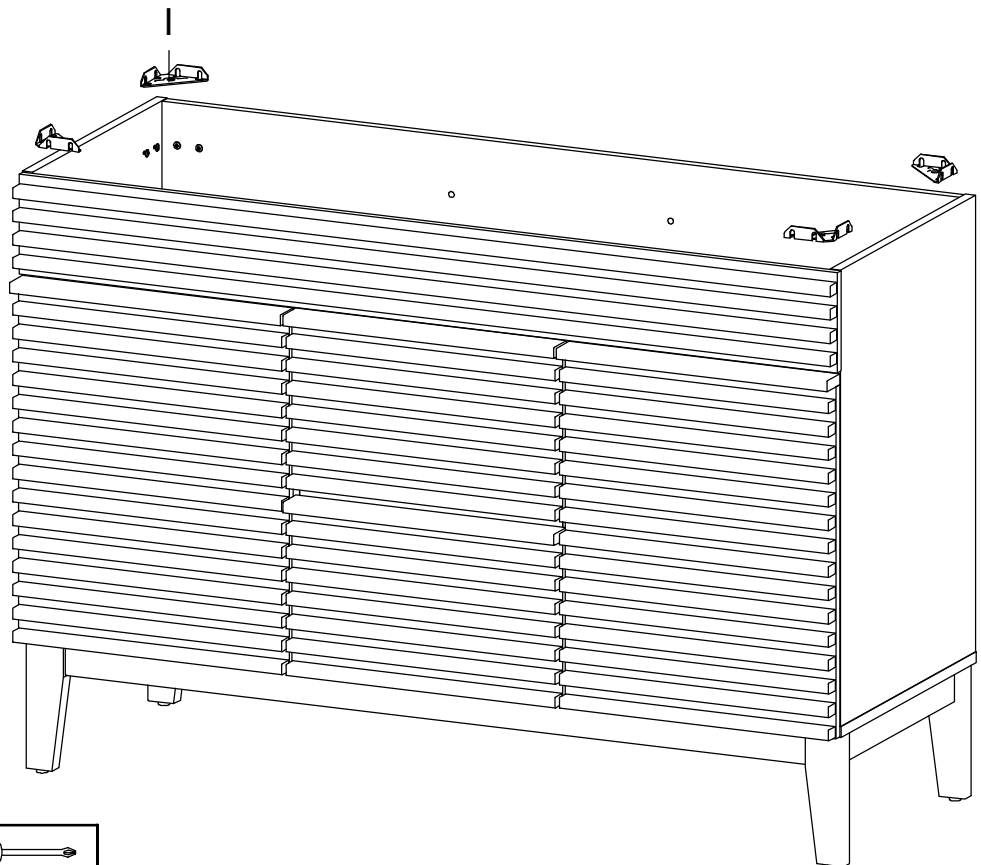
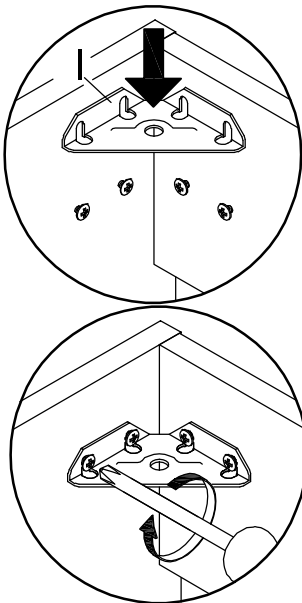
Hardware required.
Screwdriver not included

G x 20	E x 2	T x 2	U x 2	V x 2	W x 1


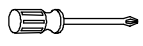
STEP 23:



STEP 24:

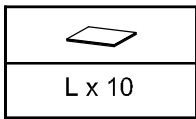
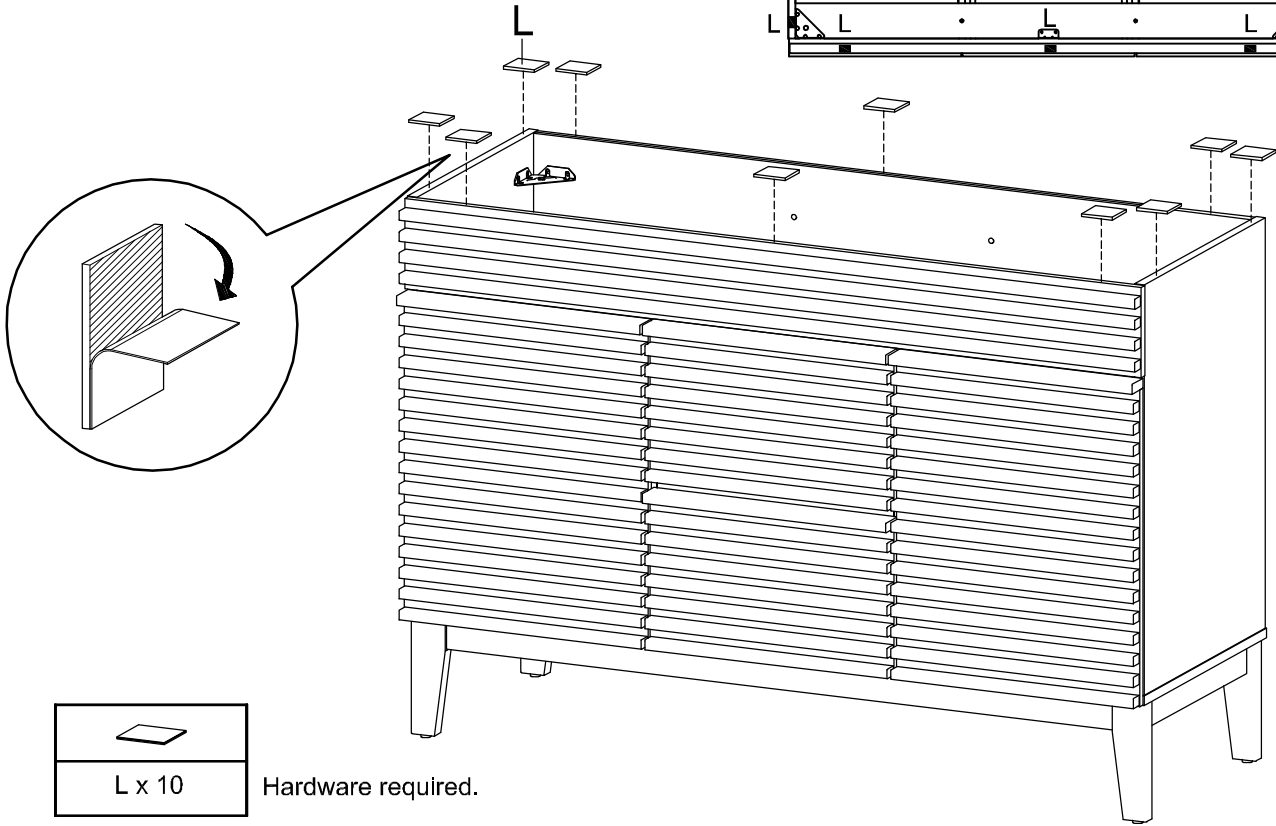
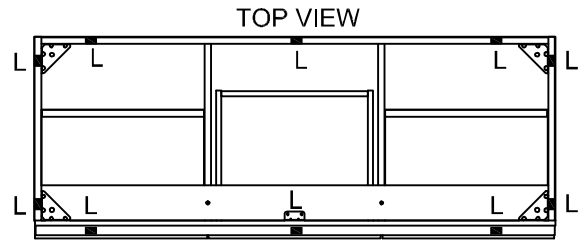


NOTE :
Tighten all the screw

	
I x 4	W x 1

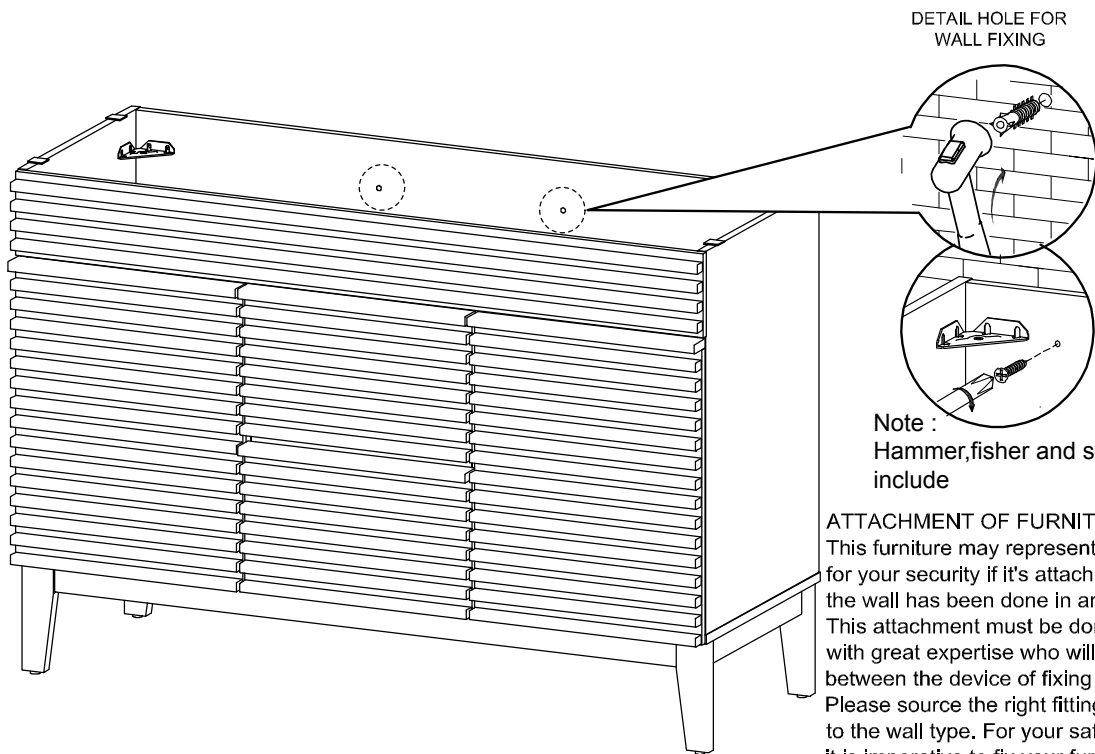
Hardware required.
Screwdriver not included

STEP 25:



Hardware required.

STEP 26:



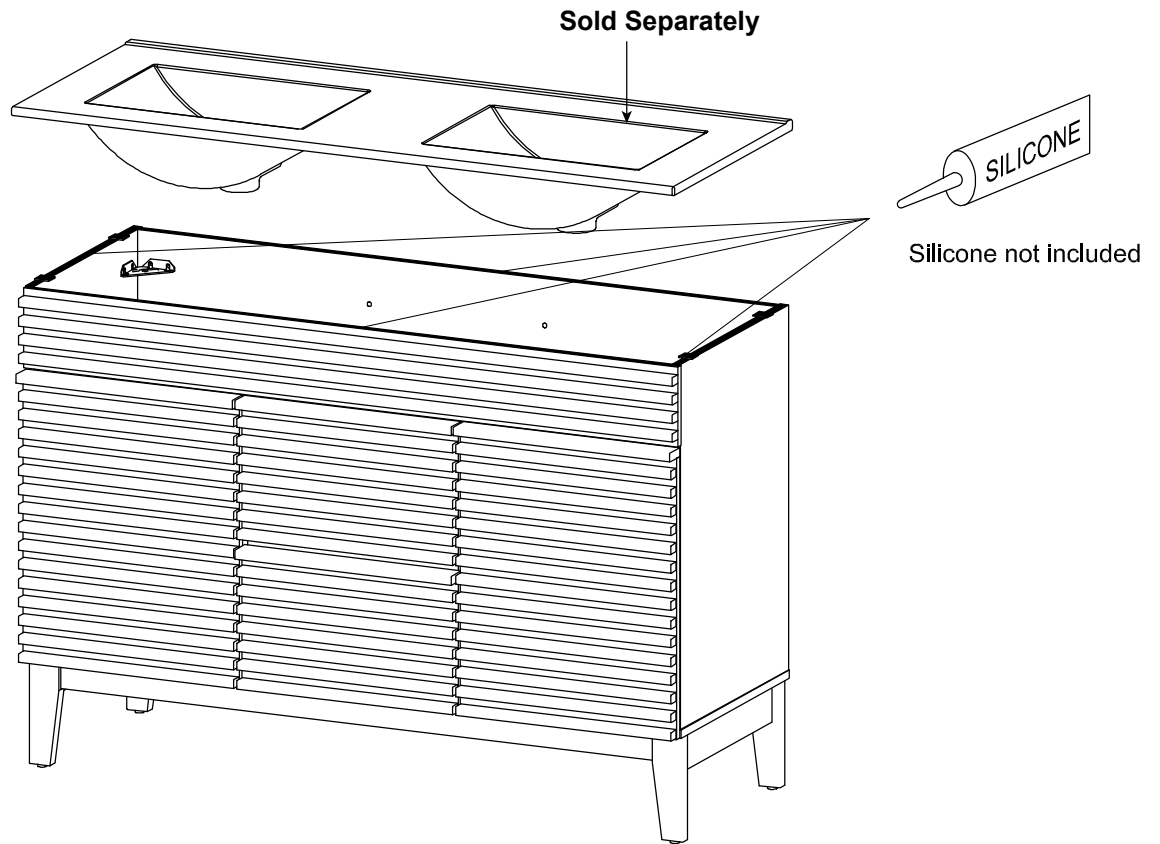
DETAIL HOLE FOR WALL FIXING

Note :
Hammer, fisher and screw not include

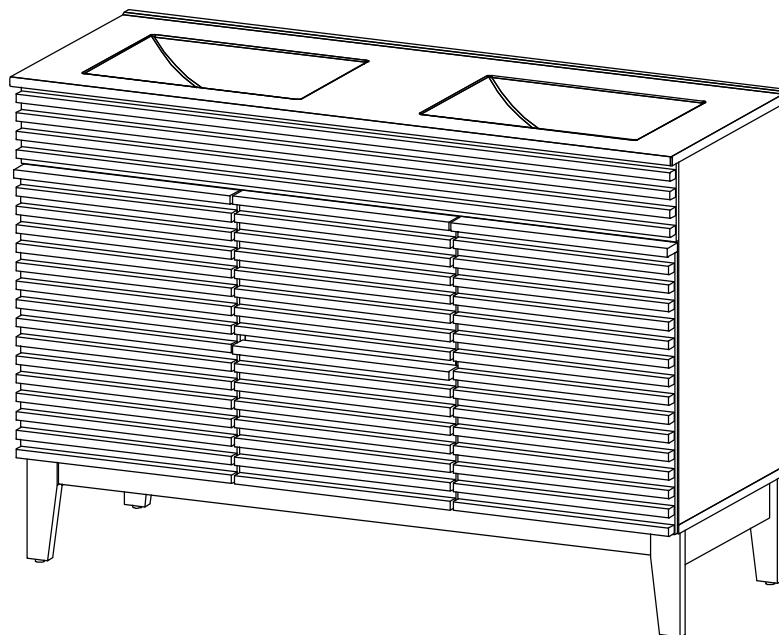
ATTACHMENT OF FURNITURE
This furniture may represent a danger for your security if it's attachment on the wall has been done in an incorrect way. This attachment must be done by a person with great expertise who will make sure adequacy between the device of fixing and the wall. Please source the right fitting according to the wall type. For your safety, it is imperative to fix your furniture to the wall

STEP 27:

Apply a thin bead of silicone compound around the vanity base and set the vanity top carefully in place. Remove any excess silicone compound with a wet rag



STEP 28:



Assembly is complete. The Cabinet is ready to enjoy now !