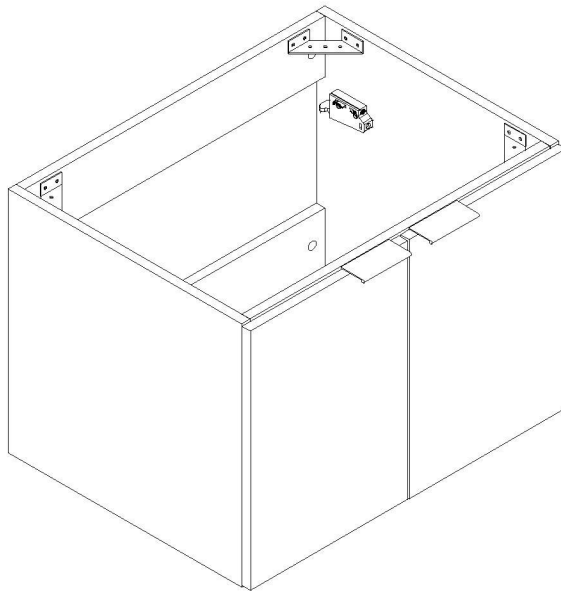

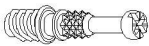
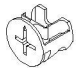



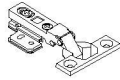
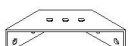
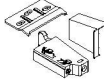
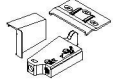






Thank you for purchasing the **MODWAY Vanity!**
Before you start, here are some helpful advice:

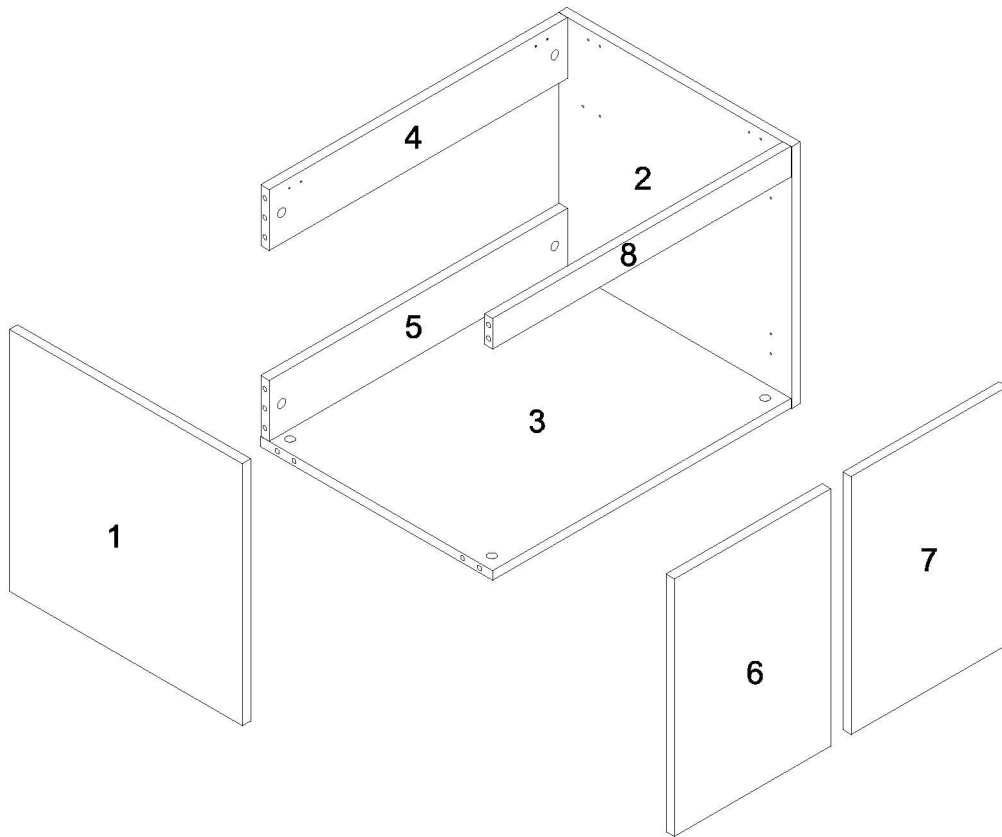
1. We suggest you spend a short time reading through this leaflet and then follow the simple step-by-step instructions.
2. Owing to the size and weight of the vanity, we recommend that it is assembled by two adults, on a carpeted or padded area, in the room that it is intended for. Approximate assembly time: 60 minutes.
3. Please do not use any tools other than those provide or recommended in these instructions.
4. Please do not throw away any of the packaging or instructions until you have checked all the components and hardware and the furniture is fully assembled.
5. Assemble all components loosely until advised to tighten. Depending on use, it may be necessary to tighten the components from time to time, so please save the tools that have been provided.
6. Please keep all pieces out of reach of children.



Hardware :

<p>A) Dowel/Wood</p>  <p>M8 x 25 mm x 14</p>	<p>B) Cambolt/Metal</p>  <p>Ø6 x 24 mm x 10</p>	<p>C) Camlock/Metal</p>  <p>Ø15 mm x 10</p>	<p>D) Handle/Metal</p>  <p>90 mm x 2</p>	<p>E) Screw/Metal</p>  <p>M3.5 x 12 mm x 4</p>
<p>F) Screw/Metal</p>  <p>M4 x 14 mm x 40</p>	<p>G) Hinges/Metal</p>  <p>x 4</p>	<p>H) Bracket/Metal</p>  <p>28 x 100 mm x 4</p>	<p>I) Bracket-L/Hanger</p>  <p>x 1</p>	<p>J) Bracket-R/Hanger</p>  <p>x 1</p>
<p>K) Screw/Metal</p>  <p>M4 x 28 mm x 4</p>	<p>L) Pad/Rubber</p>  <p>35 x 14 mm x 4</p>	<p>M) x 1</p>  <p>Hammer (Not include)</p>	<p>N) x 1</p>  <p>Screwdriver (Not include)</p>	

Components:

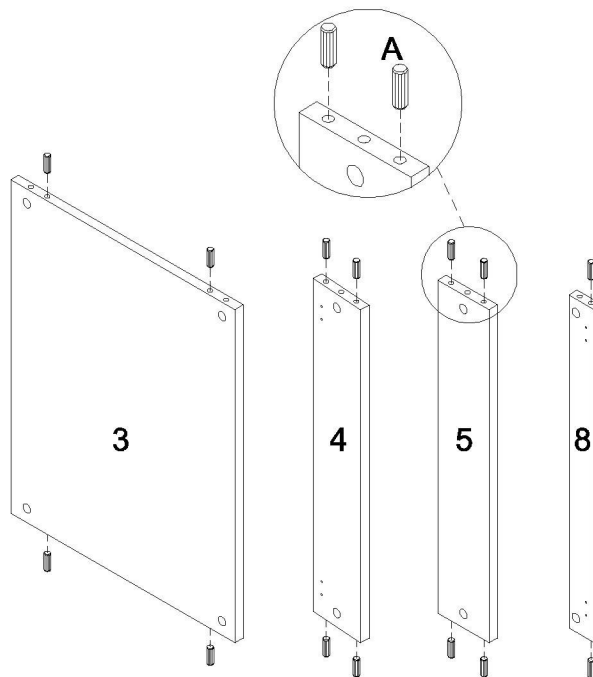




All parts/components are labeled with numbering as the part list below.

- | | | | | | | | |
|-------------------|----|--------------------|----|----------------|----|----------------|----|
| ① Side Panel Left | x1 | ② Side Panel Right | x1 | ③ Bottom Panel | x1 | ④ Back Panel 1 | x1 |
| ⑤ Back Panel 2 | x1 | ⑥ Door Left | x1 | ⑦ Door Right | x1 | ⑧ Front Panel | x1 |

STEP 1 :

Carefully insert the **Wood Dowels (A)** at the designated holes on the relevant parts.

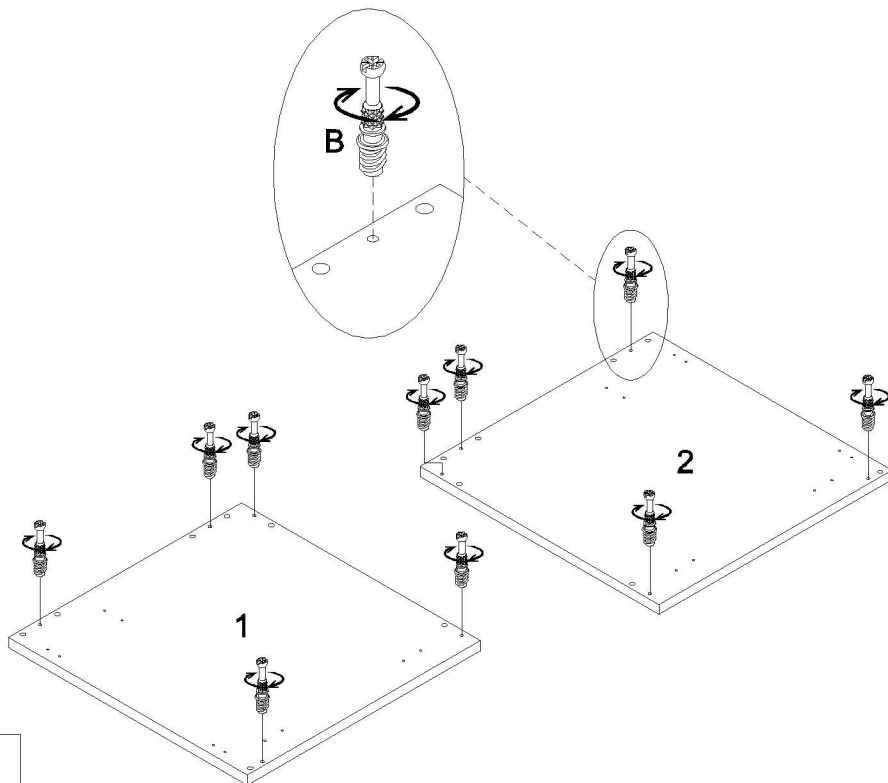




	
Ax14	Mx1

Hardware required. Hammer not included

STEP 2 : (Power tool not recommended)

Use Philips screwdriver to insert the **Cambolt (B)** carefully at the designated holes on the relevant parts. Please ensure the Cambolt is inserted and secured at the correct pre-drilled holes.

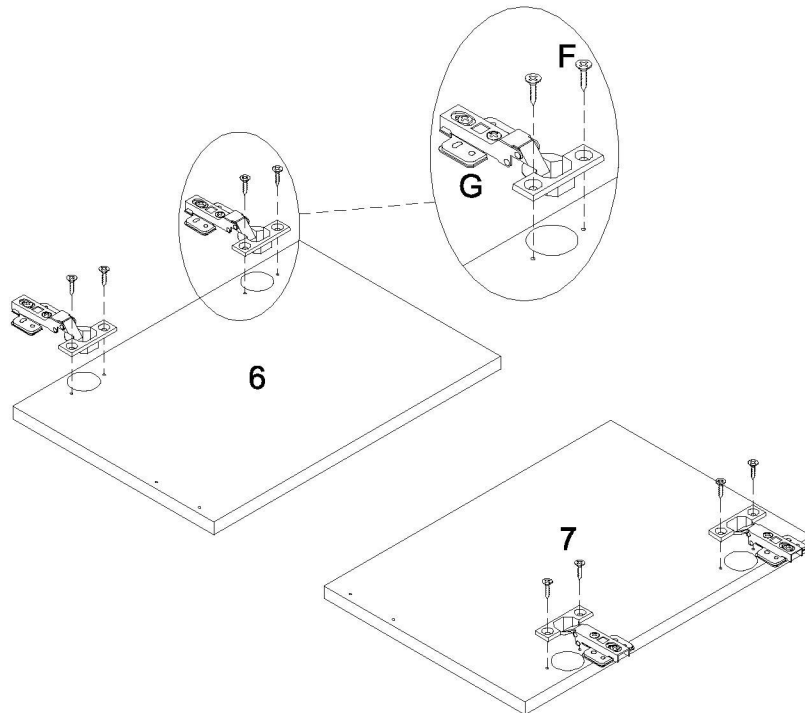





	
Bx10	Nx1

Hardware required. Screwdriver not included

STEP 3 :

Assemble 2 pieces of **Door Hinges (G)** to the '**Door Left (6)**' and '**Door Right (7)**' on each sides and secure it with 2 pieces of **Screws (F)** for each hinges.

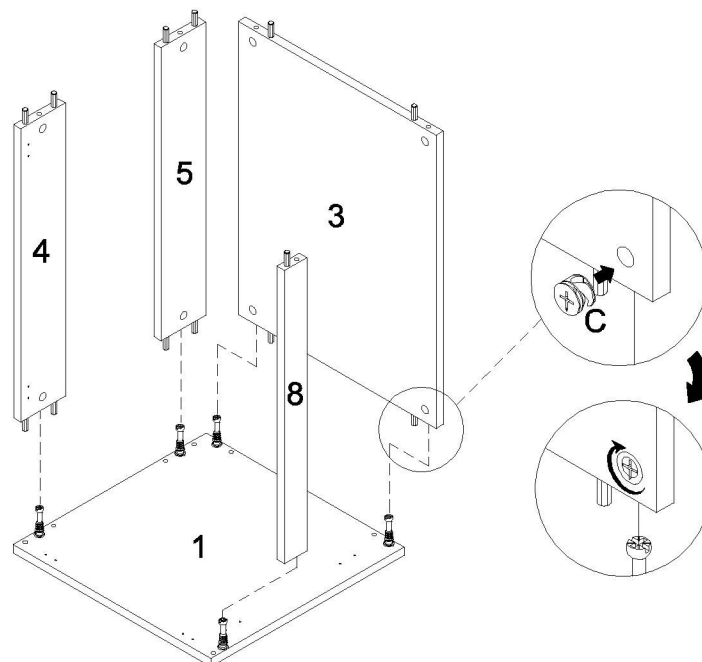




		
Fx8	Gx4	Nx1

Hardware required. Screwdriver not included

STEP 4 :

- 4.1- Lay flat the **Side Panel Left (1)** which already assembled with 5 pieces of **Cambolt (B)**.
- 4.2- Insert **Camlock (C)** from the pre-drilled hole of the **Bottom Panel (3)** then properly align the Wooden Dowel to the pre-drilled hole of the **Side Panel Left (1)**.
- 4.3- Once aligned and attached, make sure to secure **Camlock (C)** from the **Bottom Panel (3)** to the **Cambolt (B)** of the **Side Panel Left (1)**.
- 4.4- Repeat steps to secure the **Back Panel 1 (4)**, **Back Panel 2 (5)** and **Front Panel (8)** to the **Side Panel Left (1)** as shown.



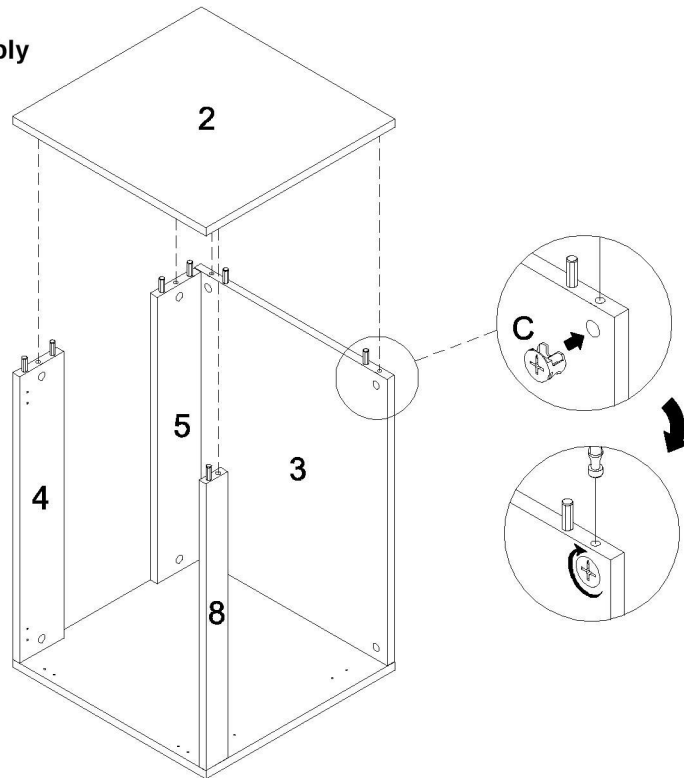
	
Cx5	Nx1


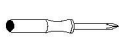
Hardware required. Screwdriver not included

STEP 5 :

Repeat step 4.2 - 4.3 to secure the Side Panel Right (2) to the Bottom Panel (3), Back Panel 1 (4), Back Panel 2 (5) and Front Panel (8).

This assembly namely **Carcass Assembly**



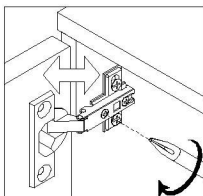
	
Cx5	Nx1

Hardware required. Screwdriver not included

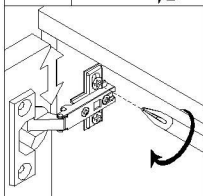
STEP 6 :

Hinges Adjustment Facilities

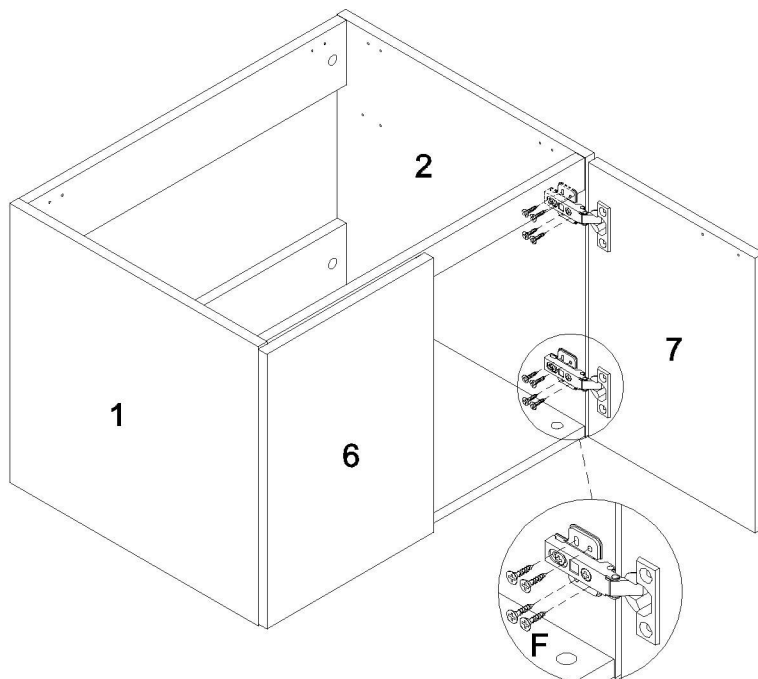
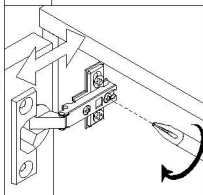
A.Lateral adjustment by screw adjusting

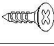
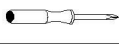


B.Vertical adjustment via slot in the mounting plate



C.Front-to-Back by slacking the hinges arm mounting screw

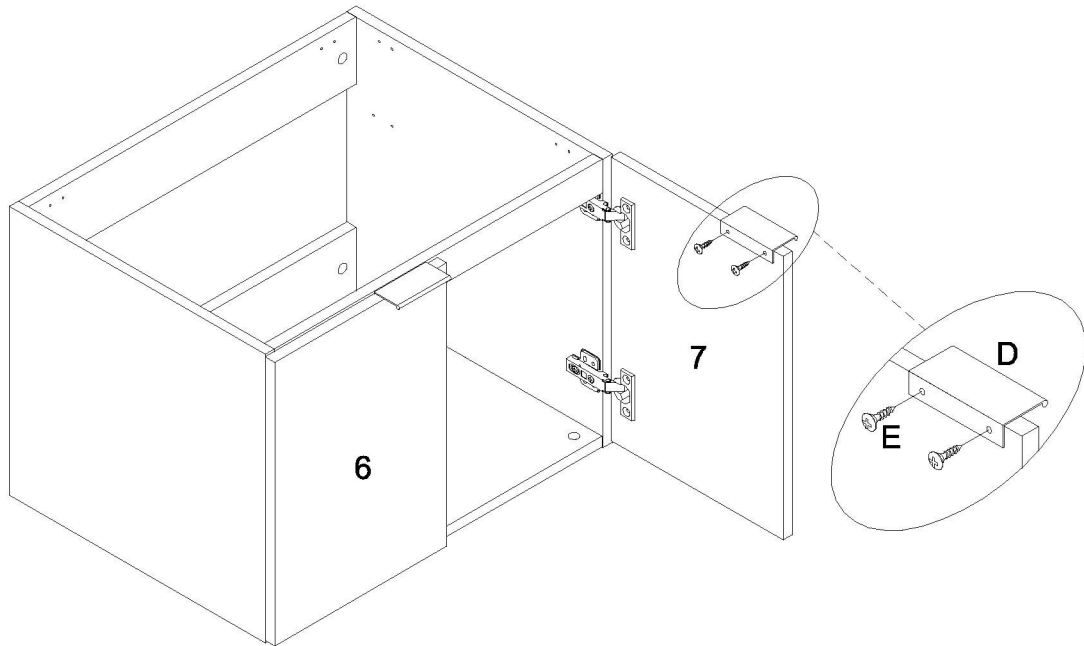


	
Fx16	Nx1

Hardware required. Screwdriver not included

STEP 7 :

Assemble **Door Handles (D)** on each '**Door Left (6)**' and '**Door Right (7)**' and secure it with a **Screw (E)** by using screwdriver.

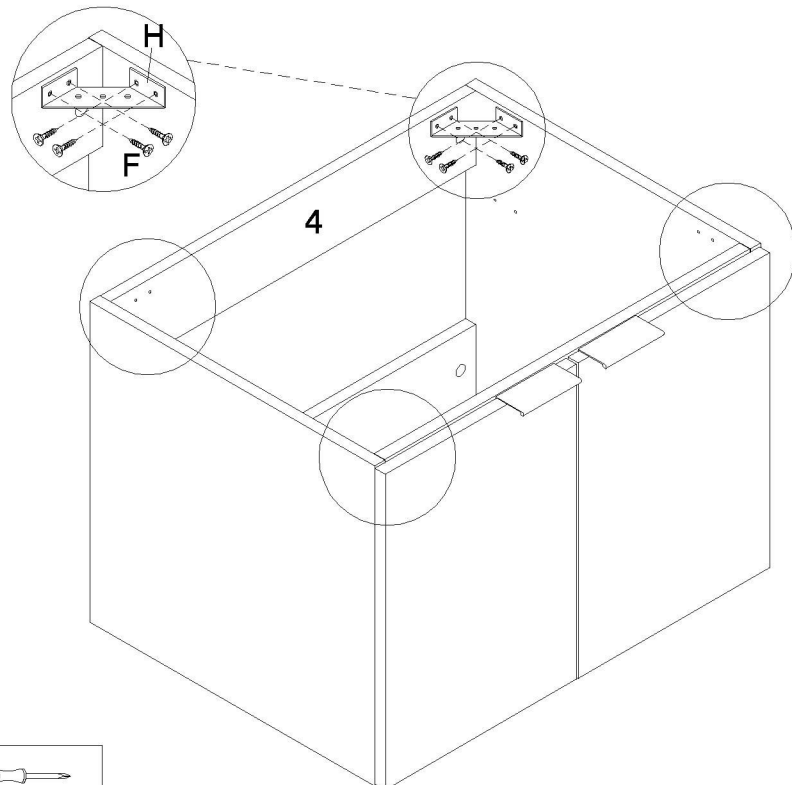


Dx2	Ex4	Nx1

Hardware required. Screwdriver not included

STEP 8 :

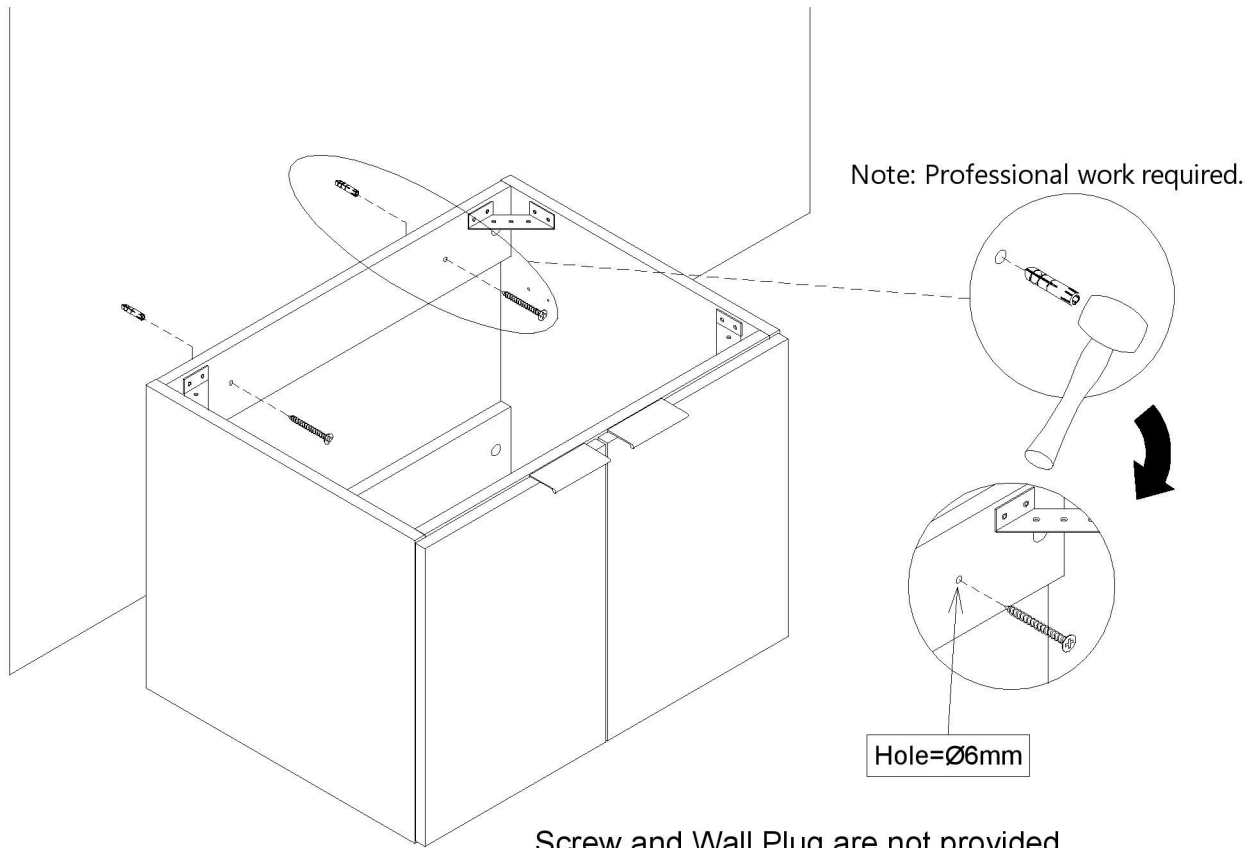
Use Screwdriver to secure the **Metal Bracket (H)** on each corner of the top portion of the Vanity Cabinet with 4 pieces of **Screw (F)**.



Fx16	Hx4	Nx1

Hardware required. Screwdriver not included

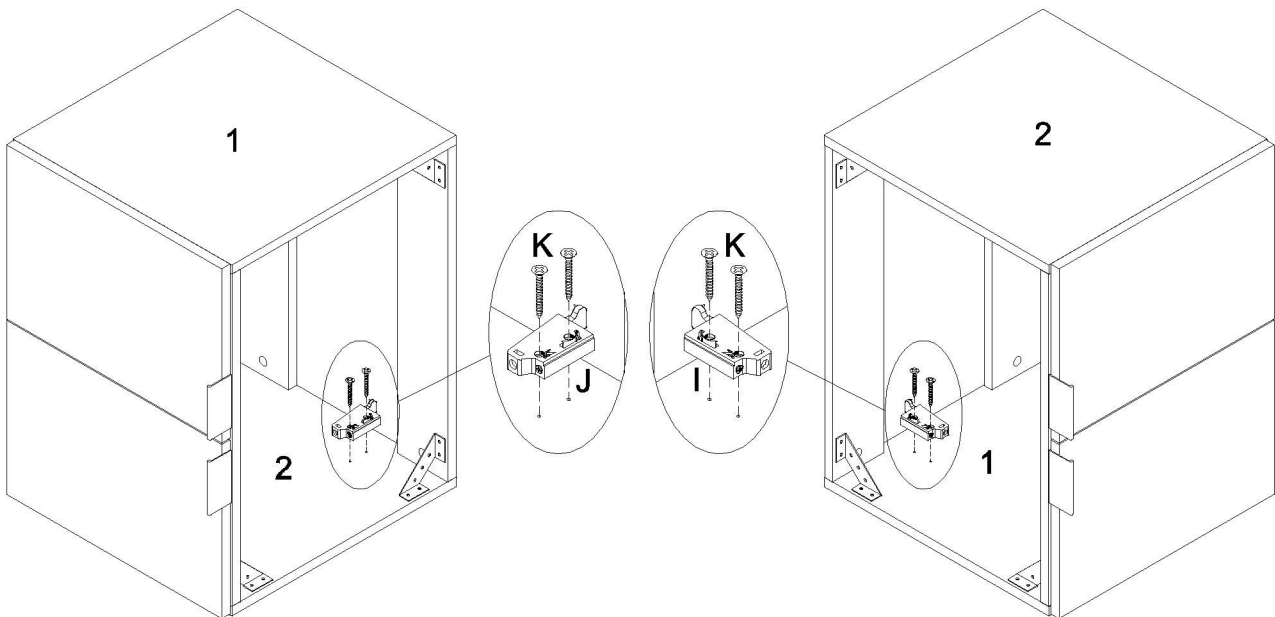
STEP 9 :

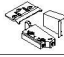
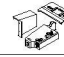




Screw and Wall Plug are not provided.
 Please use appropriate fixtures for your wall.

STEP 10 :

Use Screwdriver to secure the **Bracket-L (I)** to the Side Panel Left (1) with 2 pieces of **Screw (K)** and repeat step to secure the **Bracket-R (J)** to the Side Panel Right (2).

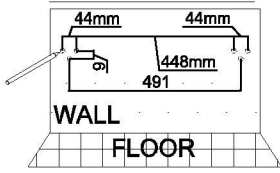


			
Ix1	Jx1	Kx4	Nx1

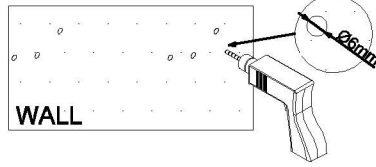
Hardware required. Screwdriver not included

STEP 11 :

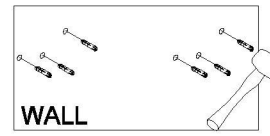
STEPS FOR INSTALLING WALL BRACKETS



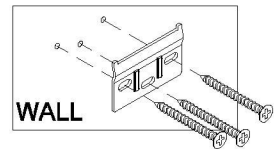
STEP 11.1



STEP 11.2

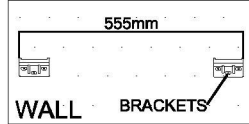


STEP 11.3



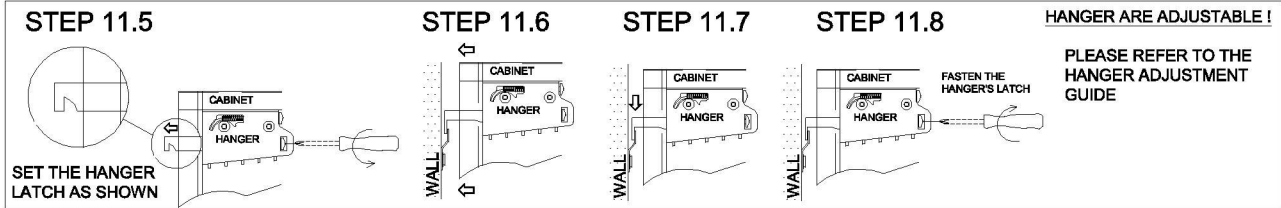
Screw and Wall Plug are not provided.
 Please use appropriate fixtures for your wall.

STEP 11.4



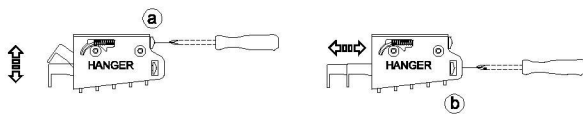
CONFIRM MEASUREMENT AS SHOWN AFTER INSTALLING WALL BRACKETS

STEPS FOR ATTACHING CABINET TO THE WALL

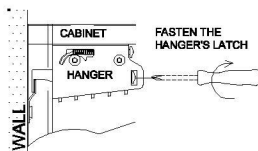
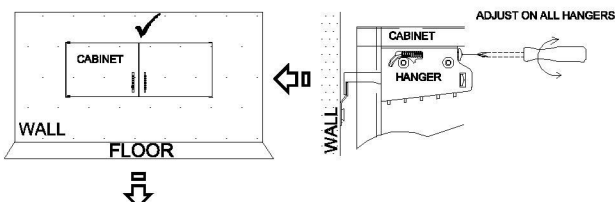
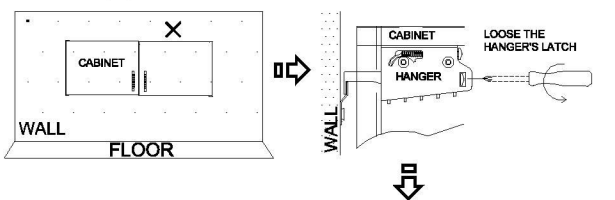


HANGER ADJUSTMENT GUIDE

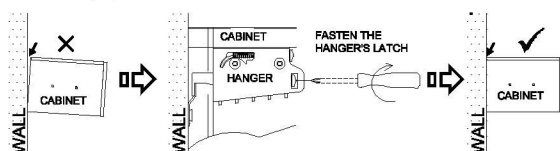
ADJUST HANGER'S LATCH BY USING SCREWDRIVER AS SHOWN



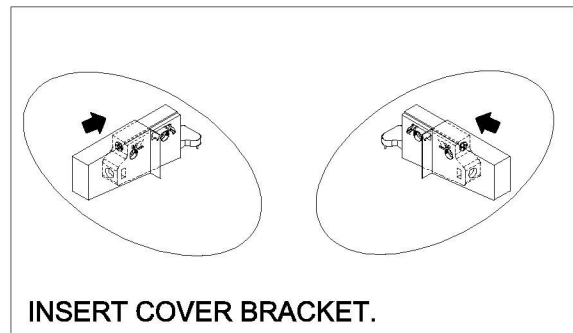
CASE (a)



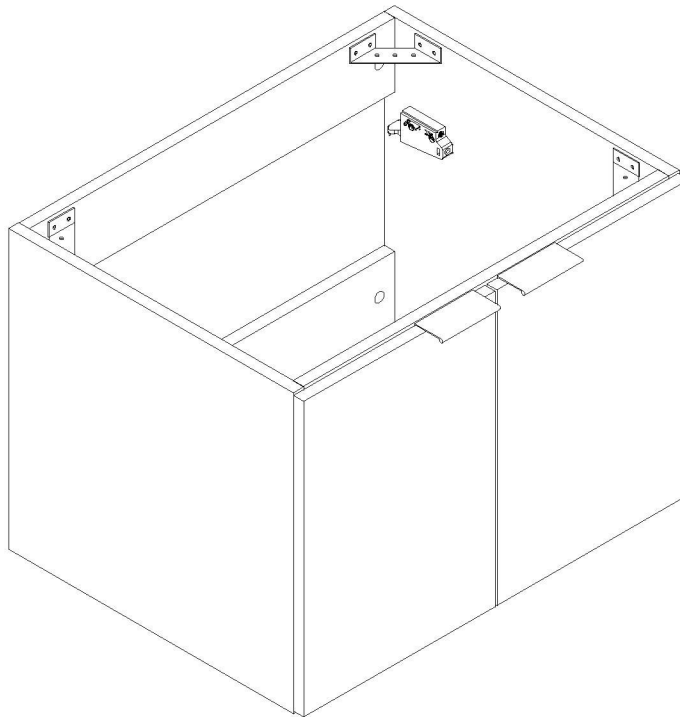
CASE (b)



FINAL



STEP 12 :



Assembly is complete.

STEP 13 :

Apply a thin bead of silicone compound around the vanity base and set the vanity top carefully in place. Remove any excess silicone compound with a wet rag.

Put Rubber Pad on top 4 pieces.

