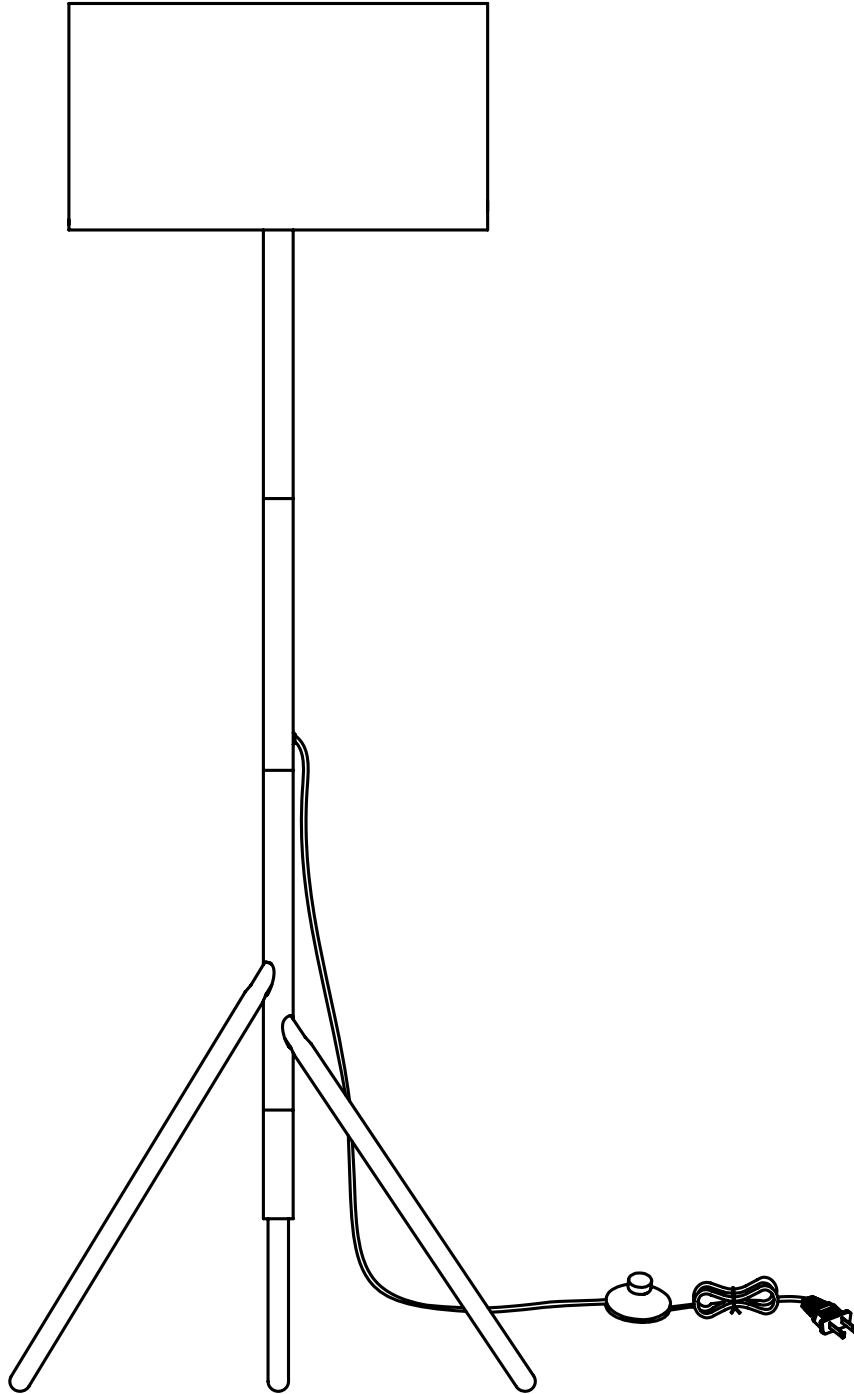


# ASSEMBLY INSTRUCTIONS

# EEI-5305

V1.03.19.21



**Questions? Contact us!**

609.256.9000 • [cs@modway.com](mailto:cs@modway.com)  
[www.modway.com](http://www.modway.com)

**\*modway**

# Let's get started!

\*modway

Hardware included in the box:

---

A		Lamp Socket Ring	x1
---	---	------------------	----

---

You may also need:

---

+ One (1) E26 (medium-base) Light Bulb (MAX. 60W)

---

Wait!

**Missing parts or hardware? Need assistance?**

Contact us before returning your item.

We're here to help!

609.256.9000 • [cs@modway.com](mailto:cs@modway.com)

CONNECT WITH US!



Tag us [@modway\\_furniture](https://www.instagram.com/modway_furniture) and [#modway](https://twitter.com/modway) for a chance to be featured.

Before you begin, here are some things to keep in mind:

**Read through all of the instructions before starting. Make sure you have all parts and components before discarding any packing materials.**

Do not over-tighten screws and bolts to avoid stripping the hardware or cracking the item.

Assemble your item on a flat, carpeted area, with plenty of space to work. This will prevent damage and scratches to your floors or the item while you're assembling the product.

Keep all components and packaging out of reach of children or animals to avoid risk of choking or suffocation.

Check all parts and hardware for damage. If the product is damaged, it should not be used.

We recommend LED bulbs. LEDs are better for energy consumption and can prolong the life of the fixture.

Allow the fixture to cool before changing the bulb. Fixture may get hot when in use.

## CARING FOR YOUR ITEM

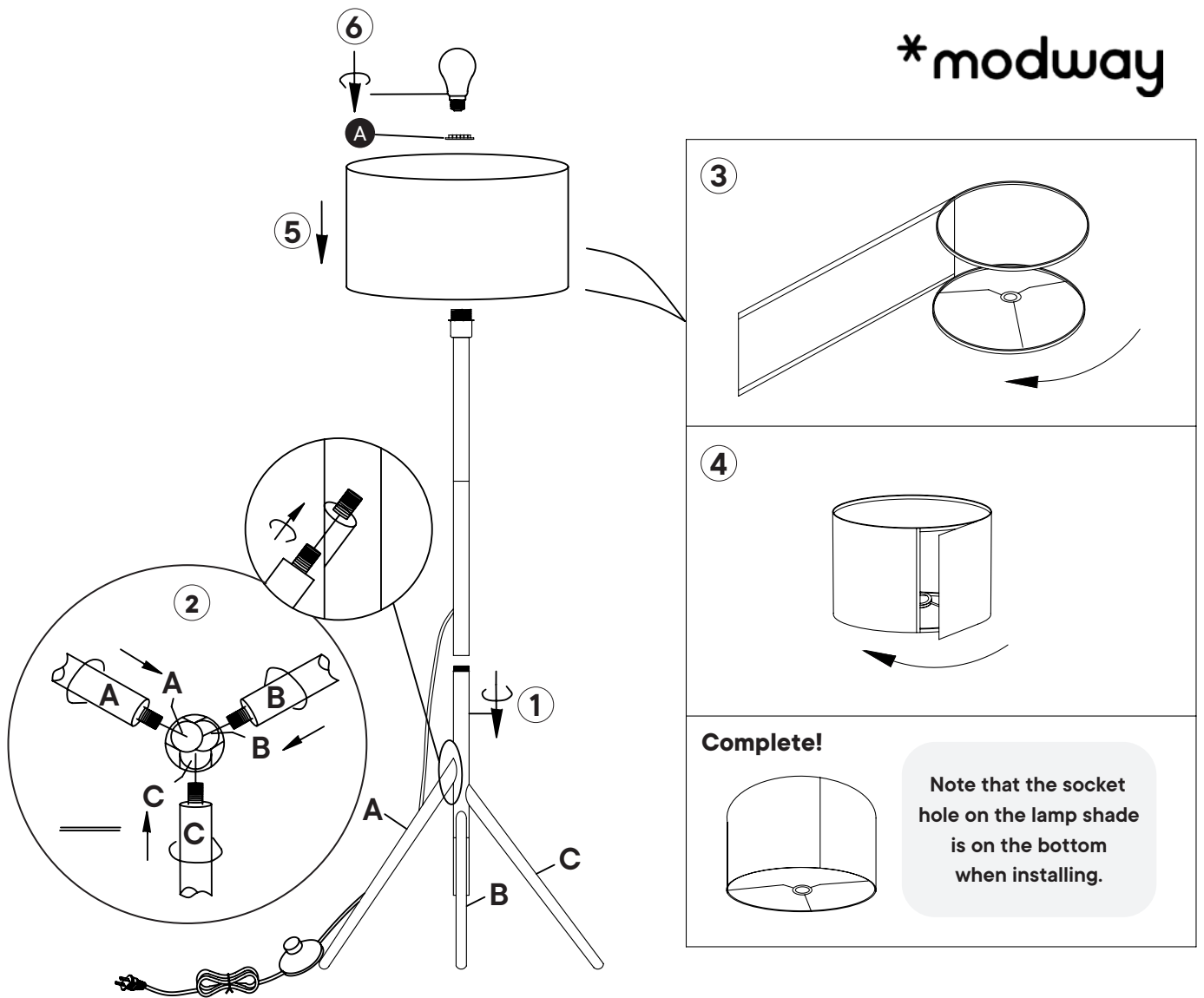
---

Indoor use only.

Clean using a non-abrasive cloth and a mild cleaner.

Never use harsh chemicals, as they could damage the finish or integrity of the item.

\*modway



**Step 1** Connect the lower center pole to the upper center pole.

**Step 2** Attach each leg to the lower center pole at its corresponding mark (A, B, or C).

**Step 3** Unfold the lampshade fabric on a clean, flat surface, put the two metal rings of the lampshade on either side of the fabric. Roll the two metal rings along the adhesive strip on the fabric as shown in the drawing.

**Step 4** Tightly press the two edges of the lampshade together, completing the lampshade.

**Step 5** Place the lamp shade onto the lamp socket and secure it with the **Lamp Socket Ring (A)**.

**Step 6** Install the light bulb according to the wattage label (E26, MAX. 60W, bulb not included)

**ATTENTION:** To avoid the risk of fire, do not exceed the recommended wattage indicated on the wattage label.