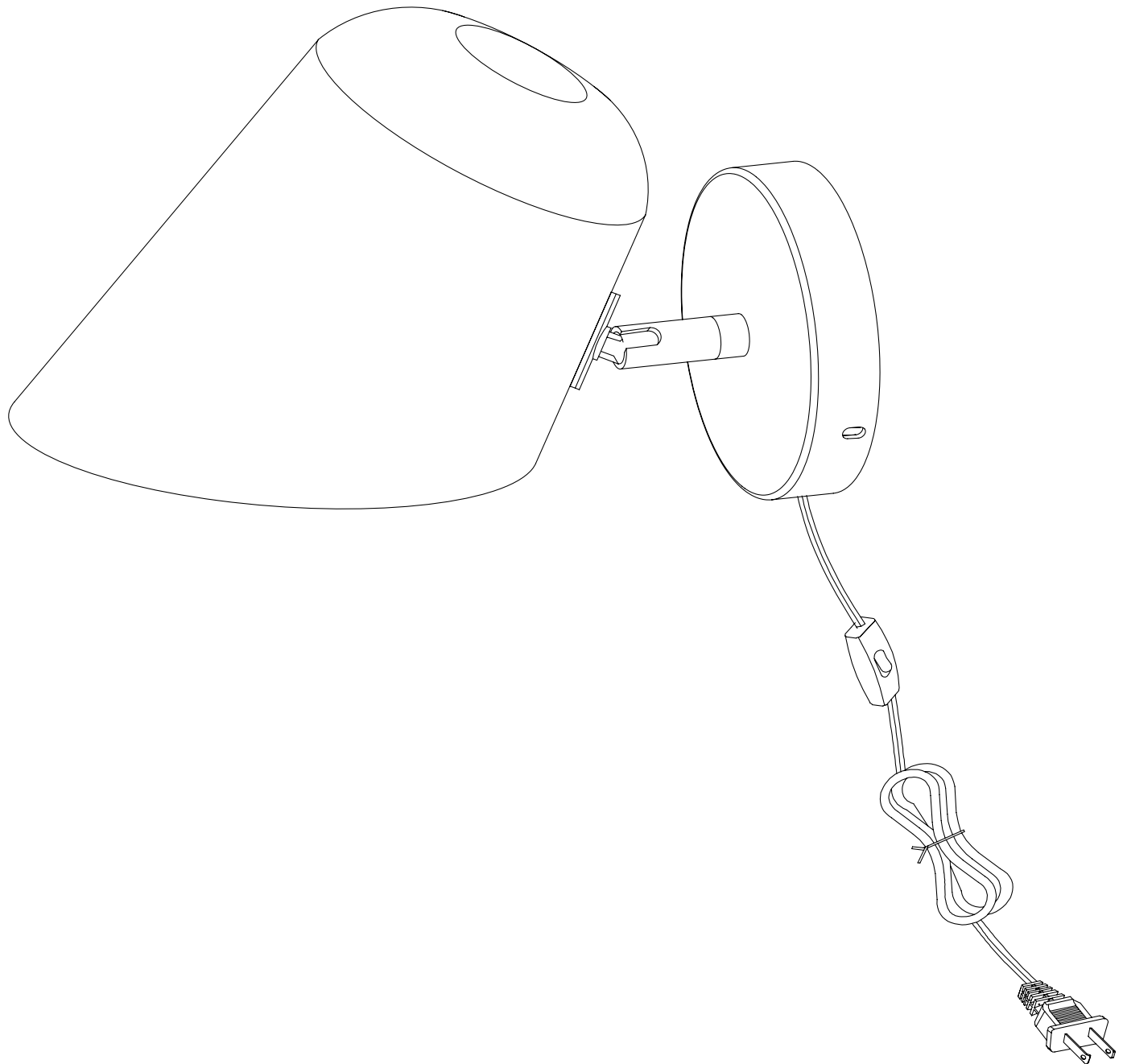


# ASSEMBLY INSTRUCTIONS

# EEI-5300

V1.03.22.21



## Questions? Contact us!

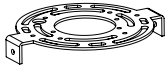
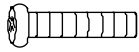
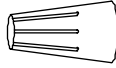


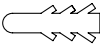
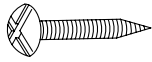

609.256.9000 • [cs@modway.com](mailto:cs@modway.com)  
[www.modway.com](http://www.modway.com)

\*modway

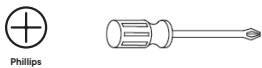

# Let's get started!

\*modway

## Hardware included in the box:

A		Mounting Plate	x1
B		Long Screw	x2
C		Wire Cap	x3
D		Short Green Screw	x1
E		Side Screw	x2
F		Drywall Anchor	x2
G		Mounting Screw	x2
H		Plastic Cover	x1

## What you need:

1		Phillips Head Screwdriver
2		Scissors

## You may also need:

- + Ladder
- + Electrical Tape
- + Wire Strippers or Cutters
- + Power Drill
- + One (1) E26 (medium-base) Light Bulb (MAX. 60W)

Wait!

### Missing parts or hardware? Need assistance?

Contact us before returning your item.

We're here to help!

609.256.9000 • [cs@modway.com](mailto:cs@modway.com)

## Before you begin, here are some things to keep in mind:

Read through all of the instructions before starting. Make sure you have all parts and components before discarding any packing materials.

For hardwiring installation, we suggest hiring a professional electrician.

Do not over-tighten screws and bolts to avoid stripping the hardware or cracking the item.

Assemble your item on a flat, carpeted area, with plenty of space to work. This will prevent damage and scratches to your floors or the item while you're assembling the product.

Keep all components and packaging out of reach of children or animals to avoid risk of choking or suffocation.

Check all parts and hardware for damage. If the product is damaged, it should not be used.

We recommend LED bulbs. LEDs are better for energy consumption and can prolong the life of the fixture.

Installation and electrical connections must follow local and National Electric Code standards.

Ensure the main power supply is OFF before starting work to prevent electrical shock.

Allow the fixture to cool before changing the bulb. Fixture may get hot when in use.

Care instructions are listed in the last step of this manual.

Note: Skip to the next set of installation steps if you are hardwiring your product.

\*modway

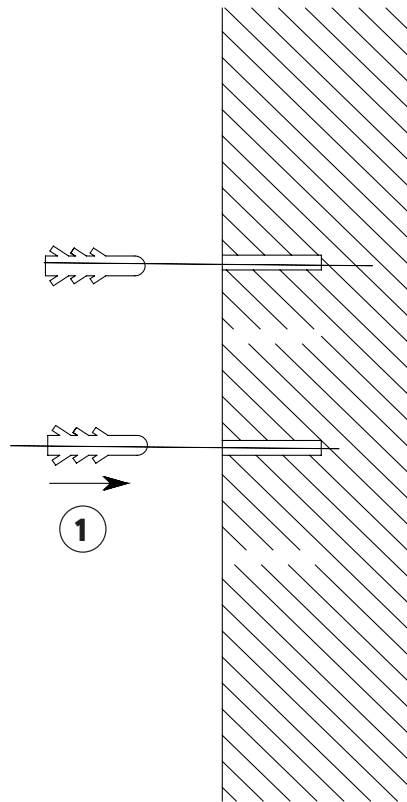
## FOR PLUG-IN INSTALLATION

# Step 1

### HARDWARE

<b>A</b>	Mounting Plate	x1
<b>F</b>	Drywall Anchors	x2

1. Remove the **Mounting Plate (A)** from the wall base and using the mounting plate as a guide, drill 2 holes into the wall and insert 2 **Drywall Anchors (F)** inside the holes.

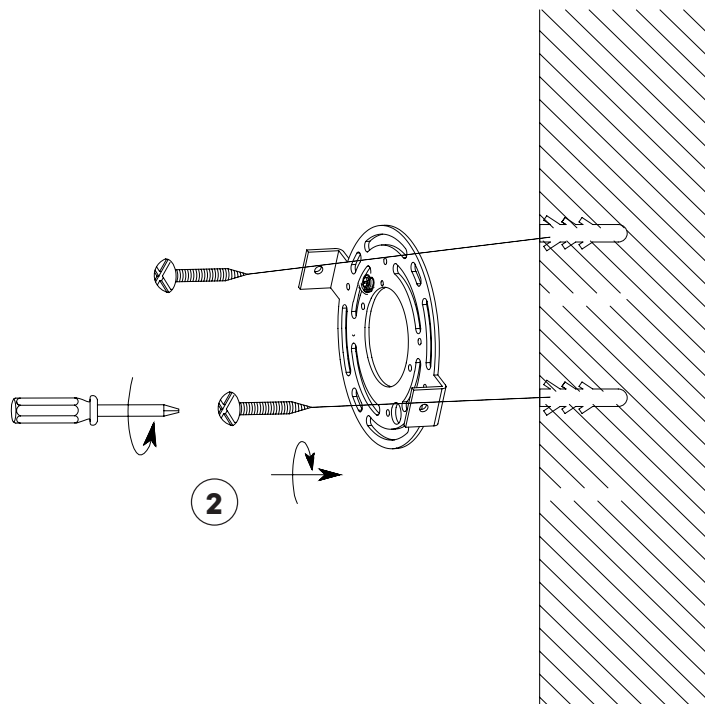


# Step 2

### HARDWARE

<b>A</b>	Mounting Plate	x1
<b>F</b>	Drywall Anchors	x2
<b>G</b>	Mounting Screws	x2

2. Affix the **Mounting Plate (A)** to the wall by screwing 2 **Mounting Screws (G)** into the 2 **Drywall Anchors (F)**.

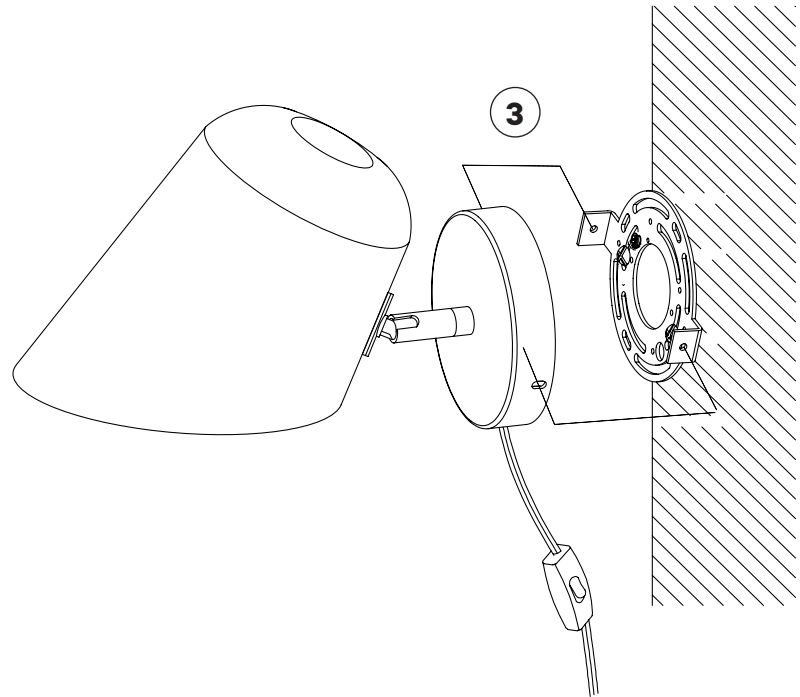


# Step 3

## HARDWARE

- A** Mounting Plate x1

3. Attach the wall base to the **Mounting Plate (A)**.

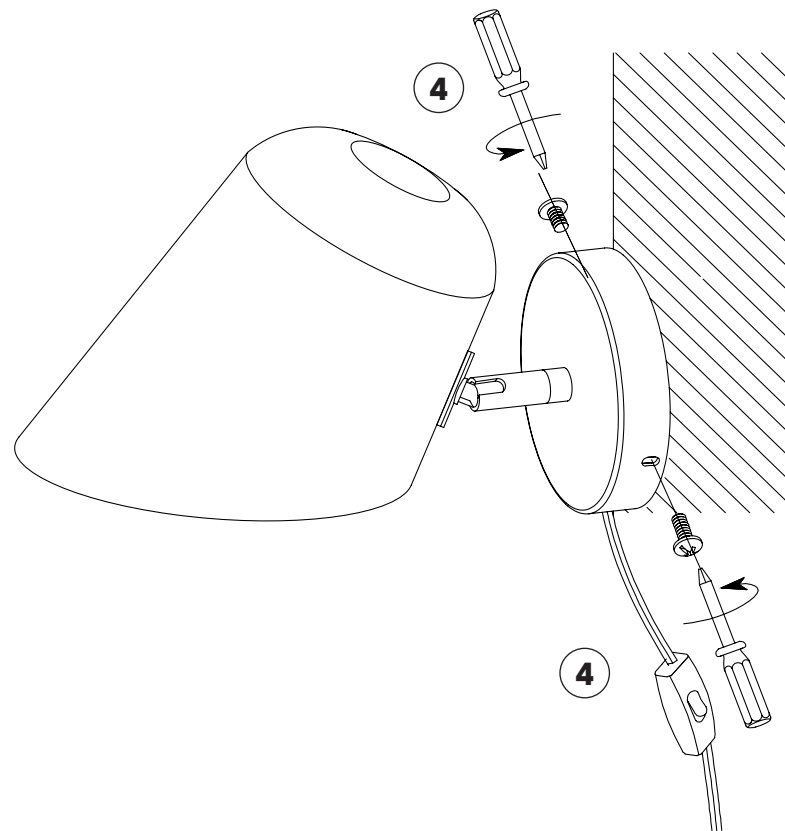


# Step 4

## HARDWARE

- E** Side Screws x2

4. Secure it with **2 Side Screws (E)**.



## FOR PLUG-IN INSTALLATION

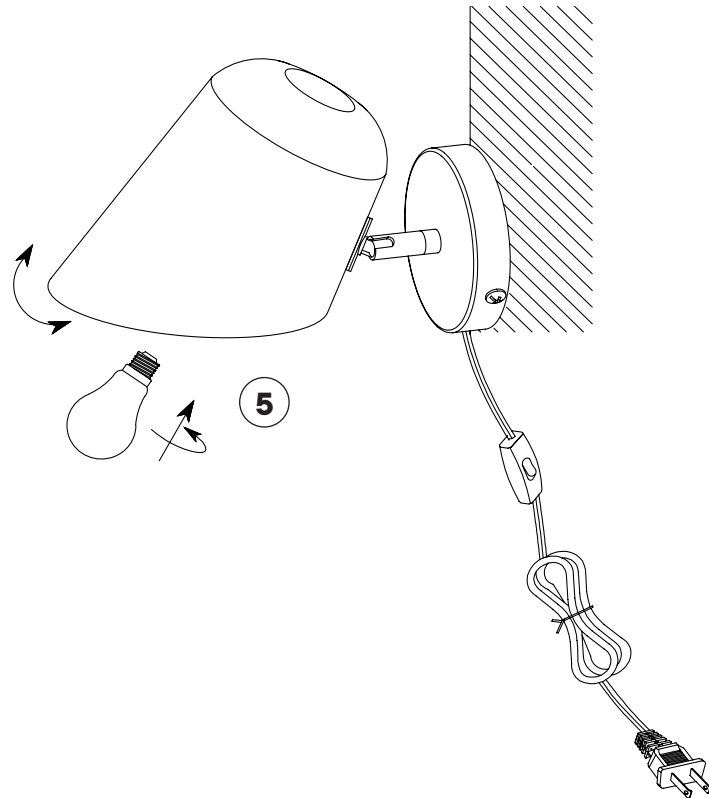
\*modway

# Step 5

5. Install the light bulb according to the wattage label (E26, MAX. 60W, bulb not included).

**ATTENTION:** To avoid risk of fire, do not exceed the recommended wattage shown on the wattage label.

**NOTE:** The position of the lamp shade can be adjusted as shown.



# Step 6

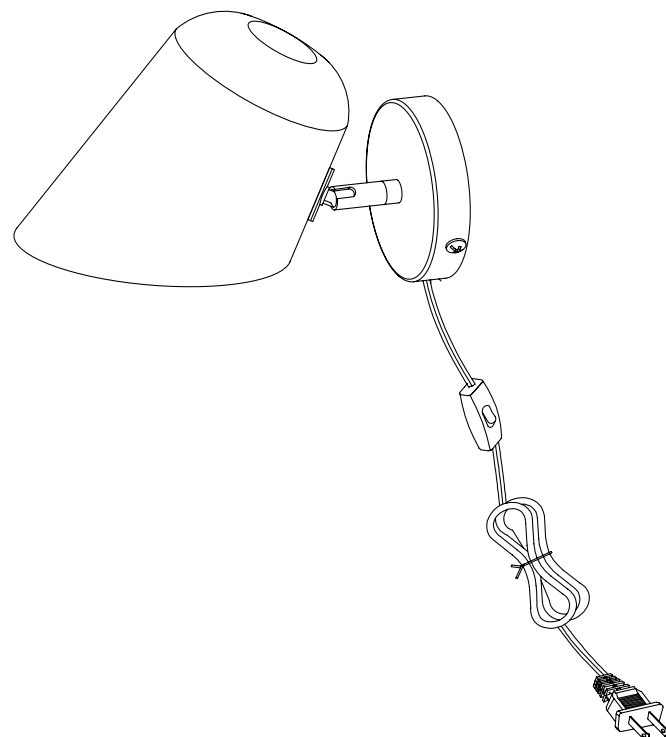
**Great job!** Your new light fixture is ready for use.

### CARING FOR YOUR ITEM

Indoor use only.

Clean using a non-abrasive cloth and a mild cleaner.

Never use harsh chemicals, as they could damage the finish or integrity of the item.



CONNECT WITH US!   

Tag us @modway\_furniture and #modway for a chance to be featured.

ATTENTION: If hardwiring, we suggest hiring a professional electrician.

\*modway

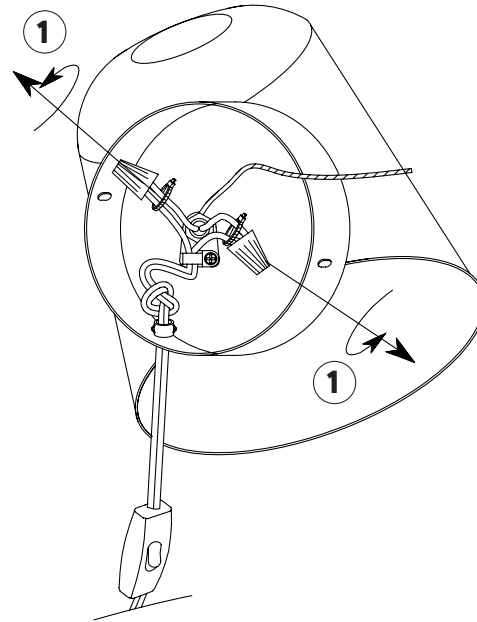
## FOR HARDWIRED INSTALLATION

# Step 1

### HARDWARE

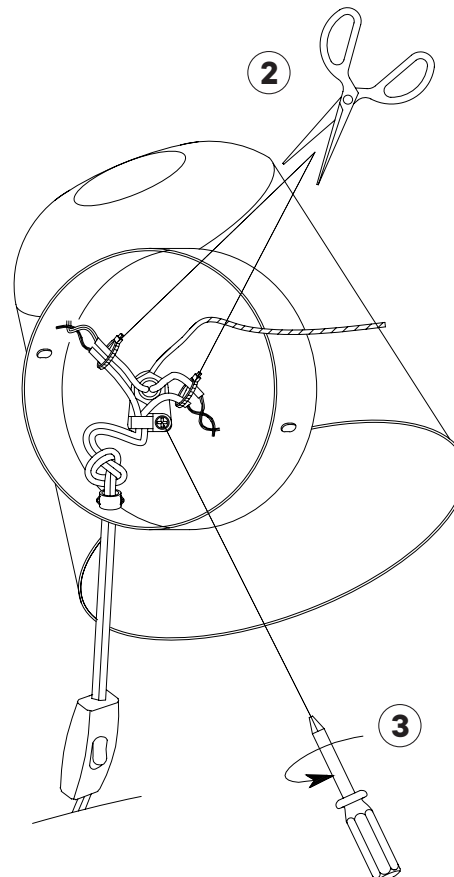
- |          |                |    |
|----------|----------------|----|
| <b>A</b> | Mounting Plate | x1 |
| <b>C</b> | Wire Caps      | x2 |

1. Remove the **Mounting Plate (A)** from the wall base and disconnect the **Wire Caps (C)** from the back side of the wall base.



# Step 2

2. Using scissors, cut the plastic cable ties off from the wire.



# Step 3

3. Loosen the screw and release the cable from cord anchorage.

# Step 4

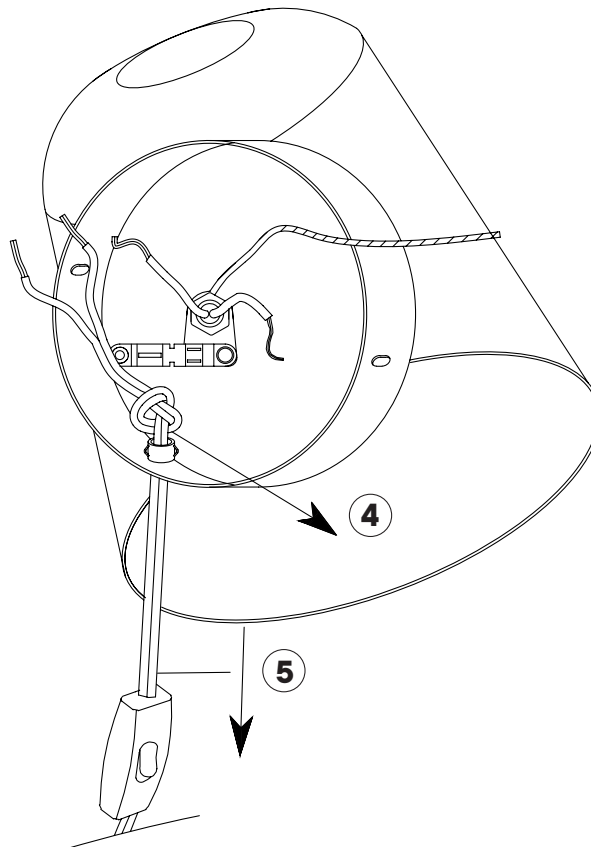
---

4. Untie the knot in the cable.

# Step 5

---

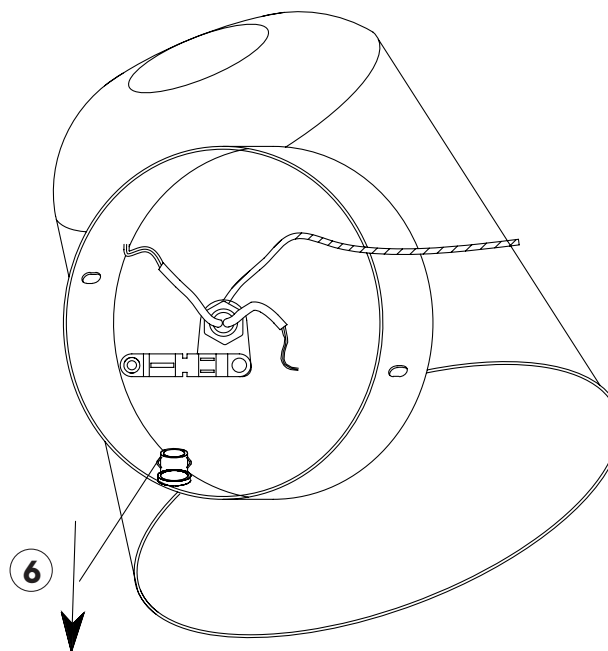
5. Pull out the cable from the wall base.



# Step 6

---

6. Remove the bushing from the bottom hole of the wall base.

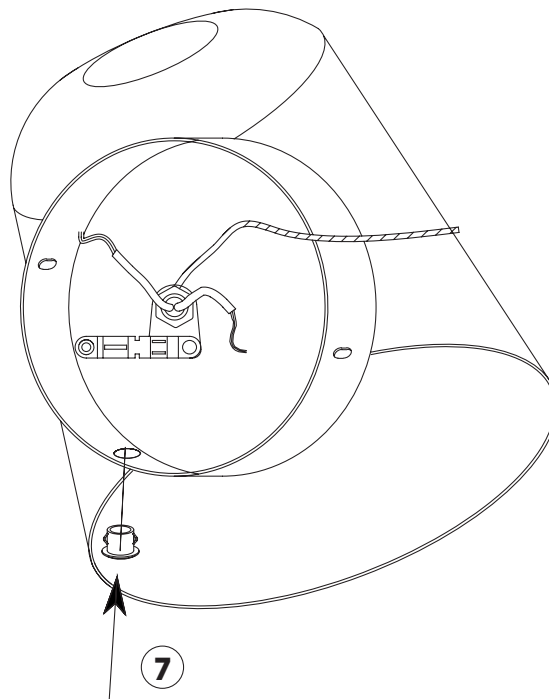


# Step 7

## HARDWARE

- H** Plastic Cover x1

7. Insert the **Plastic Cover (H)** into the bottom hole of the wall base.

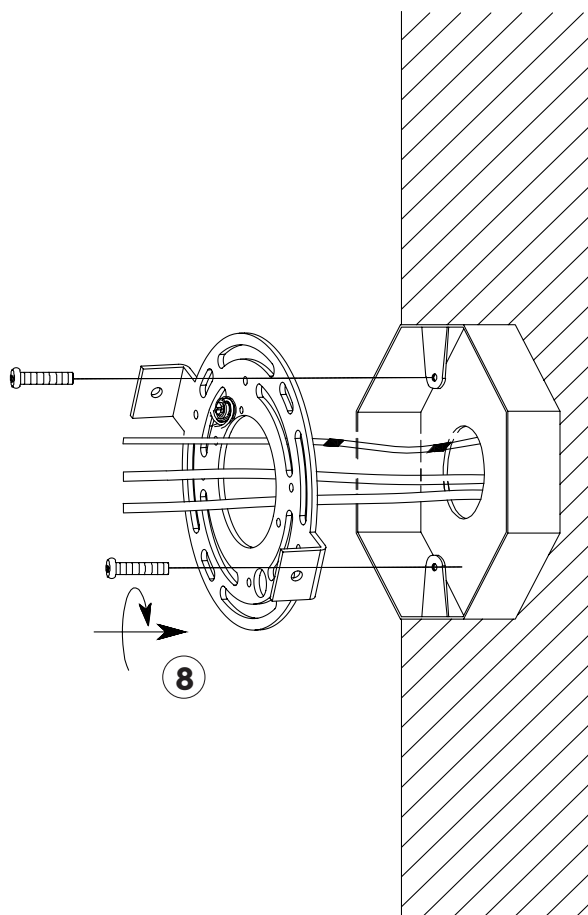


# Step 8

## HARDWARE

- A** Mounting Plate x1
- B** Long Screws x2

8. Attach the **Mounting Plate (A)** to the junction box in the wall and affix it with **2 Long Screws (B)**.





## FOR HARDWIRED INSTALLATION

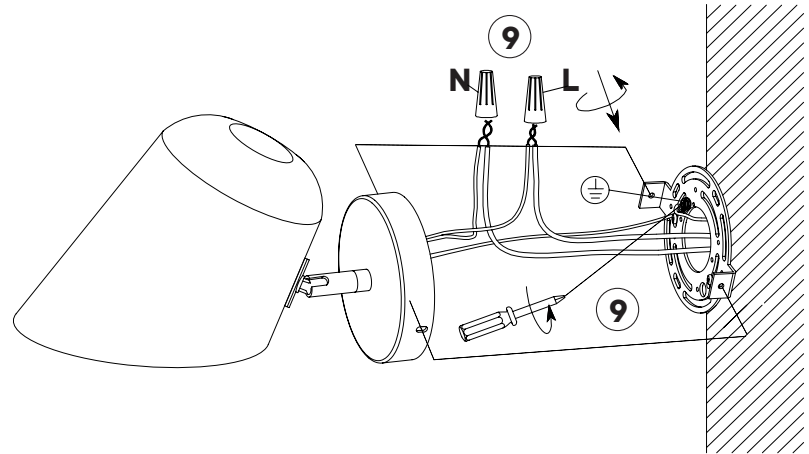
\*modway

# Step 9

### HARDWARE

- |                            |    |
|----------------------------|----|
| <b>C</b> Wire Caps         | x2 |
| <b>D</b> Short Green Screw | x1 |

**9.** Connect wires with matching polarity. The black fixture wire connects to the black supply wire (live wire) and the white fixture wire to the white supply wire (neutral wire). Secure each connection using a **Wire Cap (C)**. Connect the copper fixture wire to the ground wire and secure the connection with a **Wire Cap (C)**. If there is not a supply ground wire, attach the copper fixture wire to the **Short Green Screw (D)** to ground.

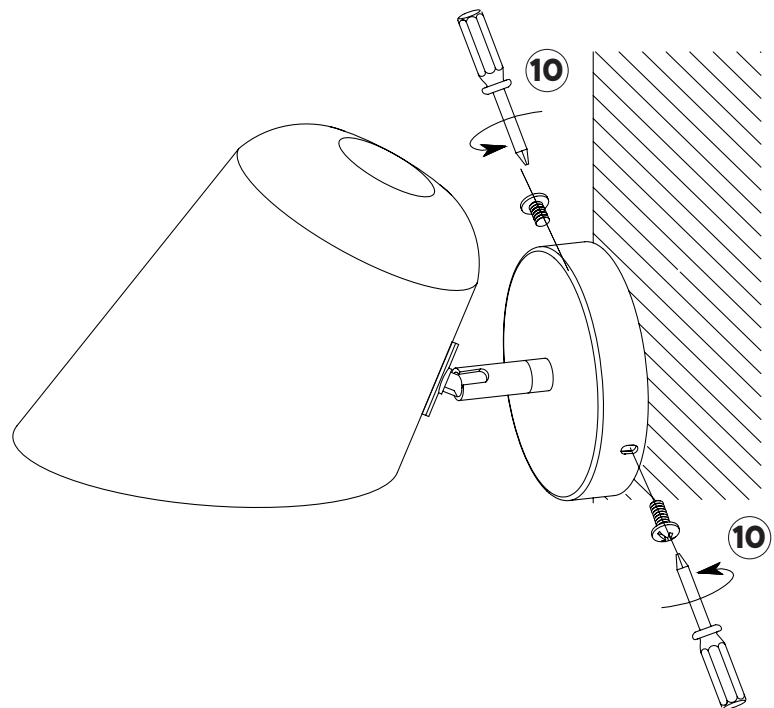


# Step 10

### HARDWARE

- |                         |    |
|-------------------------|----|
| <b>A</b> Mounting Plate | x1 |
| <b>E</b> Side Screws    | x2 |

**10.** Attach the wall base to the **Mounting Plate (A)** and secure it with **2 Side Screws (E)**.



## FOR HARDWIRED INSTALLATION

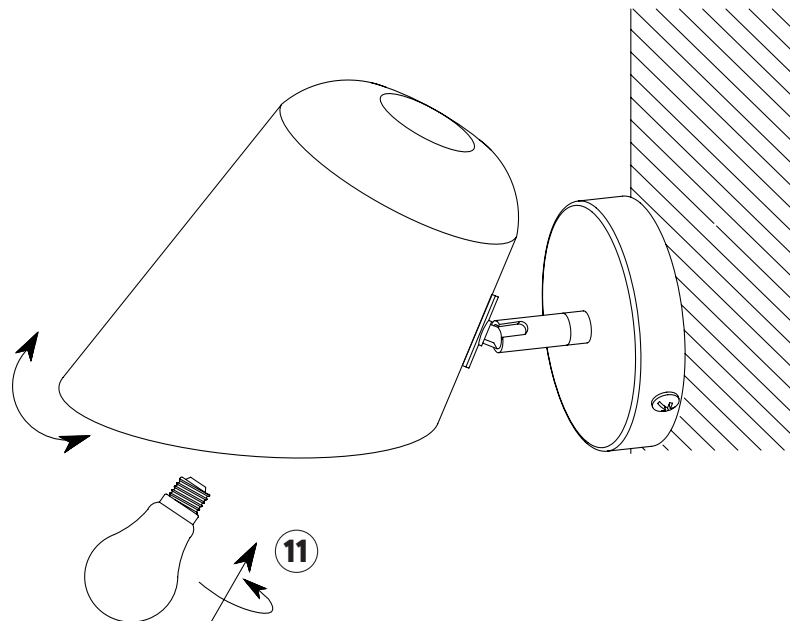
\*modway

# Step 11

**11.** Install the light bulb according to the wattage label (E26, MAX. 60W, bulb not included).

**ATTENTION:** To avoid risk of fire, do not exceed the recommended wattage shown on the wattage label.

**NOTE:** The position of the lamp shade and arm can be adjusted as shown.



# Step 12

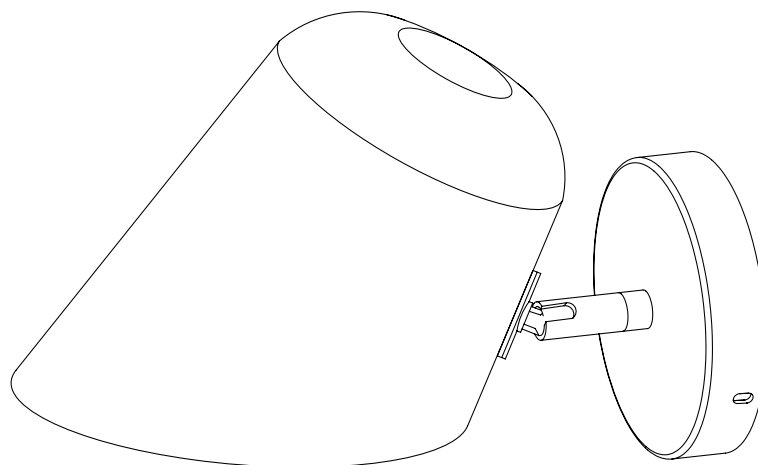
**Great job!** Your new light fixture is ready for use.

## CARING FOR YOUR ITEM

Indoor use only.

Clean using a non-abrasive cloth and a mild cleaner.

Never use harsh chemicals, as they could damage the finish or integrity of the item.



CONNECT WITH US!   

Tag us @modway\_furniture and #modway for a chance to be featured.