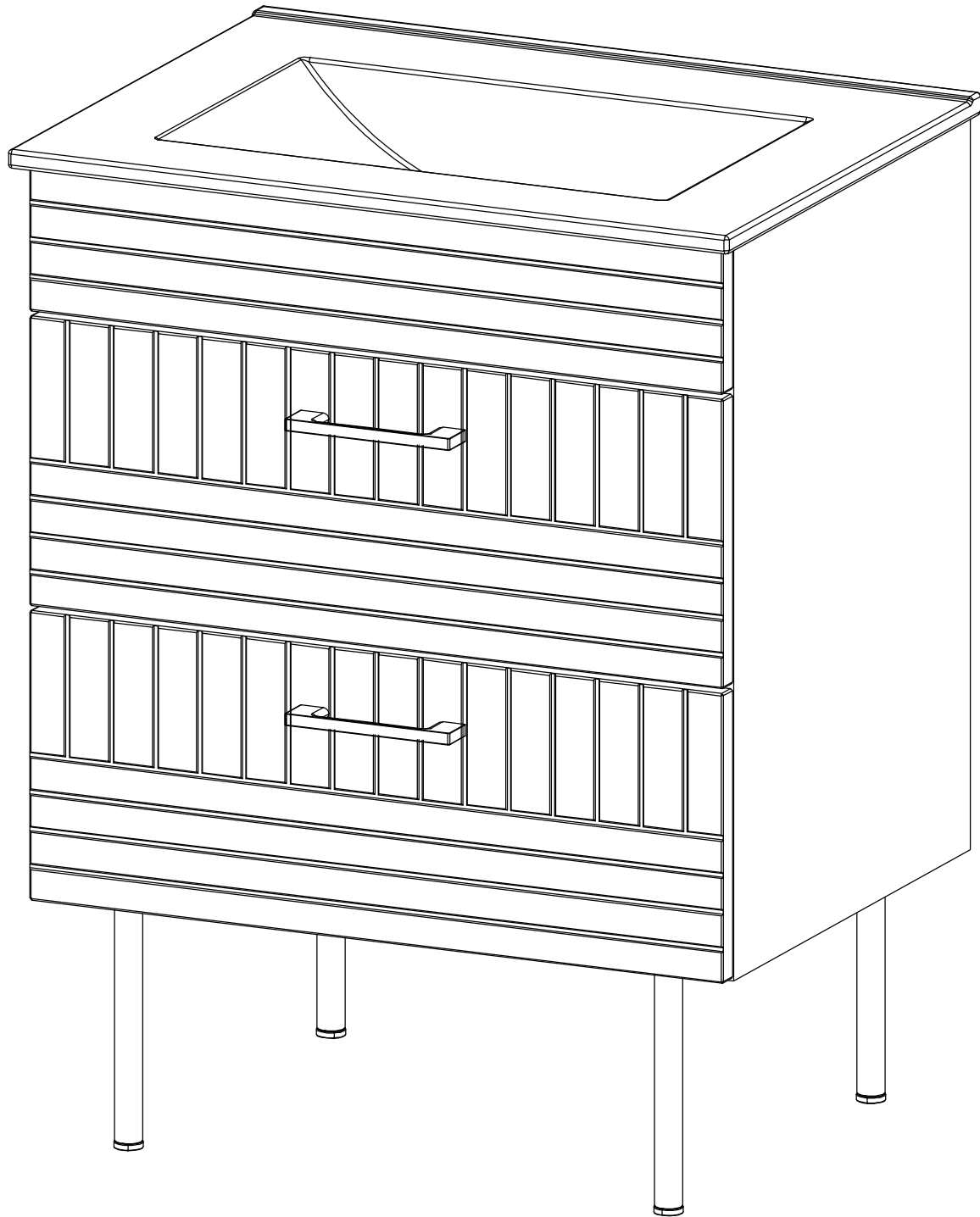


ASSEMBLY INSTRUCTIONS

EEI-5106

V0.06.08.21



Questions? Contact us!

609.256.9000 • cs@modway.com
www.modway.com

***modway**

Let's get started!

*modway



Read through all of the instructions before starting



Care instructions are listed in the last step of this manual



Approx. 90 minutes assembly time



Make sure you have all parts and components before discarding any packing materials



2 people recommended for assembly

Only use hand tools to assemble this item. Do not use power tools. Do not tighten bolts or screws completely until all hardware is lined up and inserted into the holes.

Do not over-tighten screws and bolts to avoid stripping the hardware or cracking the item.

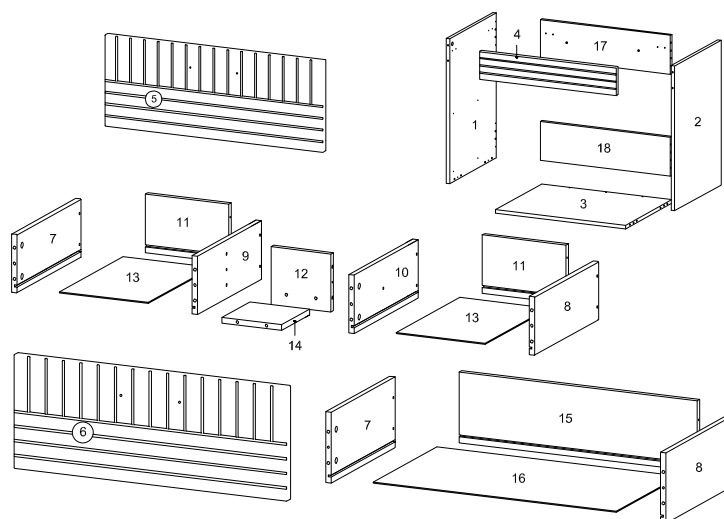
For vanity and plumbing installation, we suggest hiring a professional contractor and plumber.

Assemble your item on a flat, carpeted area, with plenty of space to work. This will prevent damage and scratches to your floors or the item while you're assembling the product.

Keep all components and packaging out of reach of children or animals to avoid risk of choking or suffocation.

Furniture components:

1	Side Board Left	x1	10	Side Drawer Right B	x1
2	Side Board Right	x1	11	Back Drawer Small	x2
3	Bottom Board	x1	12	Support Drawer A Upper	x1
4	Front Skirt	x1	13	Bottom Drawer Small	x2
5	Front Drawer Upper	x1	14	Support Drawer B Upper	x1
6	Front Drawer Lower	x1	15	Back Drawer Big	x1
7	Side Drawer Left A	x2	16	Bottom Drawer Big	x1
8	Side Drawer Right A	x2	17	Back Board Upper	x1
9	Side Drawer Left B	x1	18	Back Board Lower	x1



Provided hardware:

A		Cam Bolt $\varnothing 6 \times 35$ mm	x26	H		Rail	x2	O		Foam Pad 25 x 15 x 2 mm	x8
B		Cam Lock $\varnothing 15$ mm	x14	I		Screw M 6 x 10.5 mm	x8	P		Screw M 7 x 50 mm	x2
C		Cam Lock $\varnothing 12$ mm	x12	J		Screw M 3.5 x 13 mm	x12	Q		Leg	x4
D		Wood Dowel $\varnothing 8 \times 30$ mm	x19	K		Screw M 8 x 39 mm	x14	R		Screw M 3.5 x 15.5 mm	x8
E		Wood Dowel $\varnothing 6 \times 30$ mm	x14	L		Handle	x2	S		Wedge	x8
F		Corner Bracket	x4	M		Screw M 4 x 25 mm	x4	What you need:			
G		Screw M 4.5 x 12.5 mm	x32	N		Allen Key	x1		Phillips	Phillips Head Screwdriver	

What you need:

Phillips Head Screwdriver

You may also need:

- + Power Drill
- + Level
- + Silicone Adhesive or Caulk
- + Drywall Anchors and Screws
- + Other Wall-Mounting Hardware

Wait!

Missing parts or hardware? Need assistance?

Contact us before returning your item. We're here to help!

609.256.9000 • cs@modway.com

Step 1

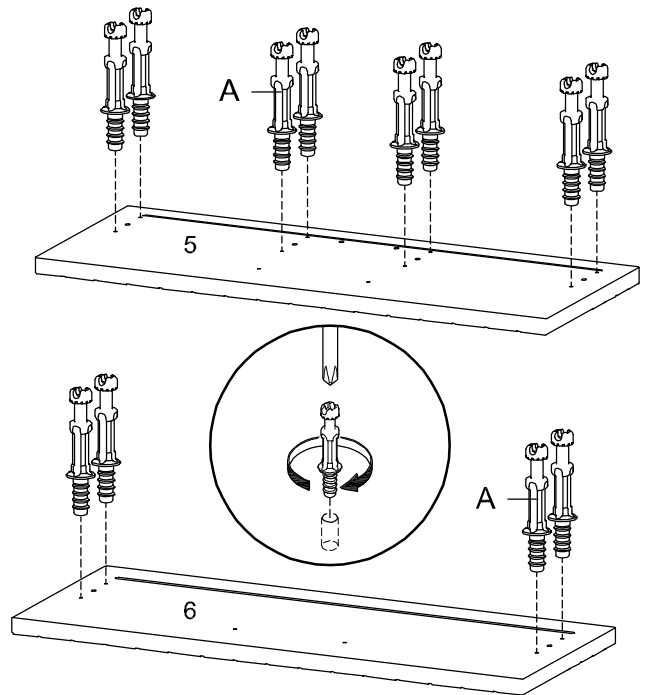
HARDWARE

A Cam Bolt $\varnothing 6 \times 35$ mm x12

COMPONENTS

5 Front Drawer Upper x1

6 Front Drawer Lower x1



Step 2

HARDWARE

E Wood Dowel $\varnothing 6 \times 30$ mm x6

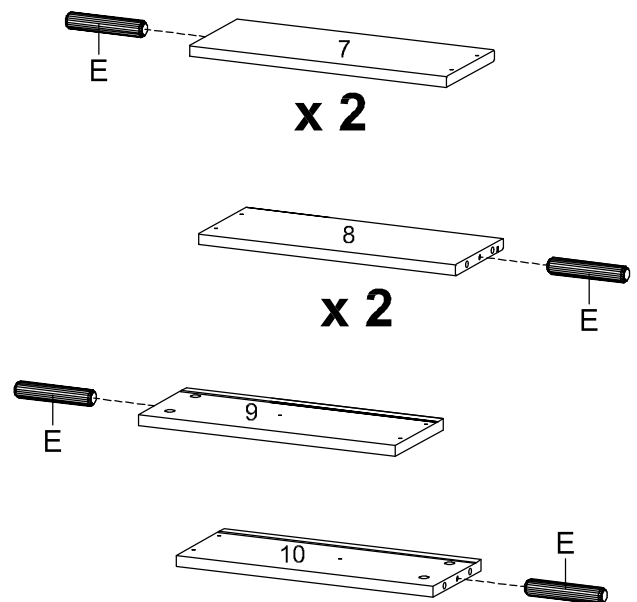
COMPONENTS

7 Side Drawer Left A x2

8 Side Drawer Right A x2

9 Side Drawer Left B x1

10 Side Drawer Right B x1



Step 3

HARDWARE

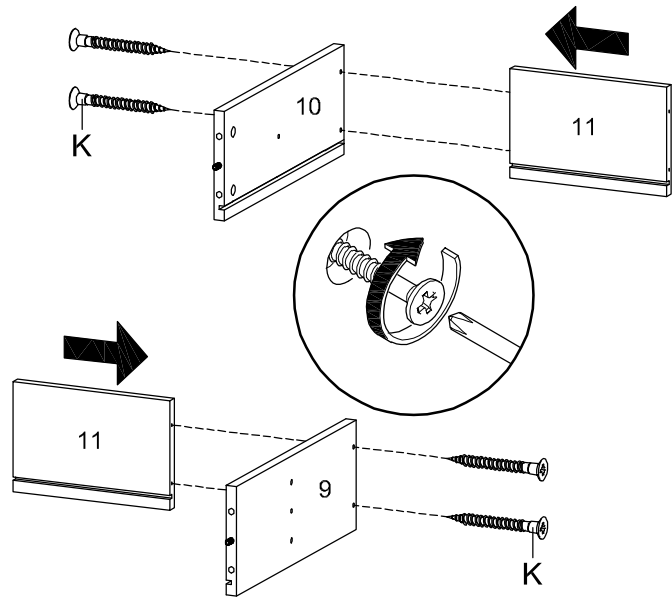
K Screw M 8 x 39 mm x4

COMPONENTS

9 Side Drawer Left B x1

10 Side Drawer Right B x1

11 Back Drawer Small x2



Step 4

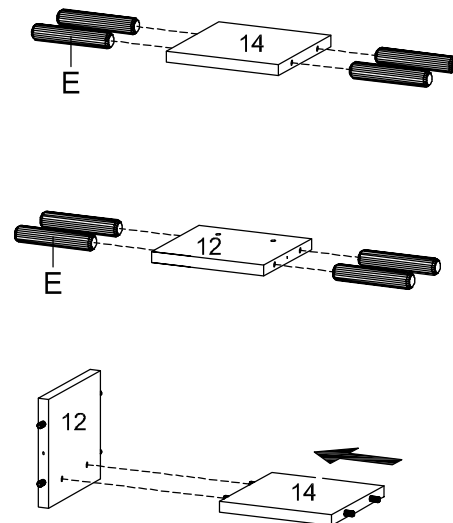
HARDWARE

E Wood Dowel Ø6 x 30 mm x8

COMPONENTS

12 Support Drawer A Upper x1

14 Support Drawer B Upper x1



Step 5

HARDWARE

K Screw M 8 x 39 mm x2

COMPONENTS

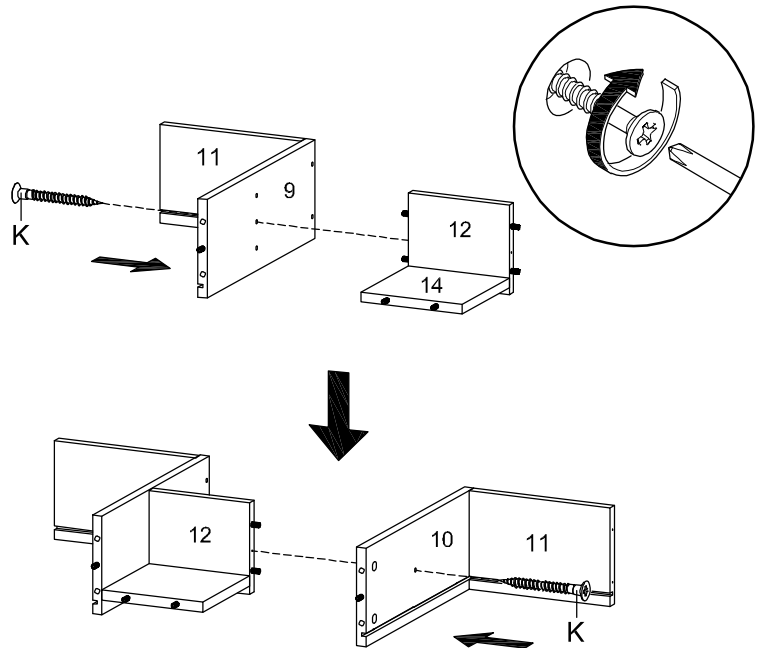
9 Side Drawer Left B x1

10 Side Drawer Right B x1

11 Back Drawer Small x2

12 Support Drawer A Upper x1

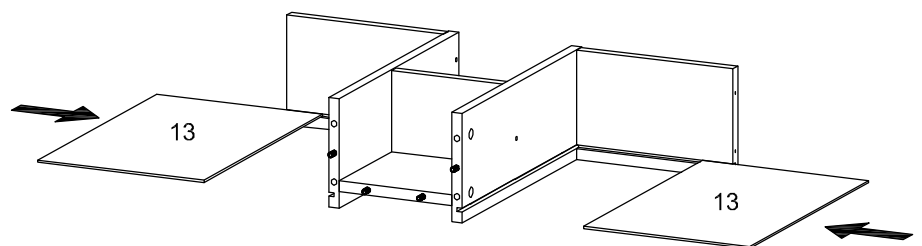
14 Support Drawer B Upper x1



Step 6

COMPONENT

13 Bottom Drawer Small x2



Step 7

HARDWARE

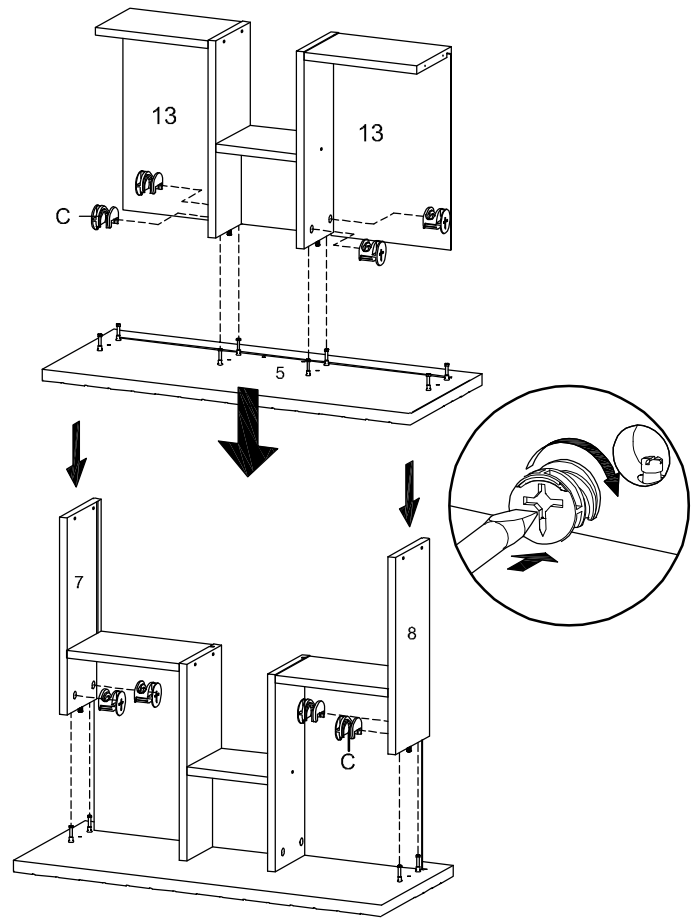
C Cam Lock Ø12 mm x8

COMPONENTS

5 Front Drawer Upper x1

7 Side Drawer Left A x1

8 Side Drawer Right A x1



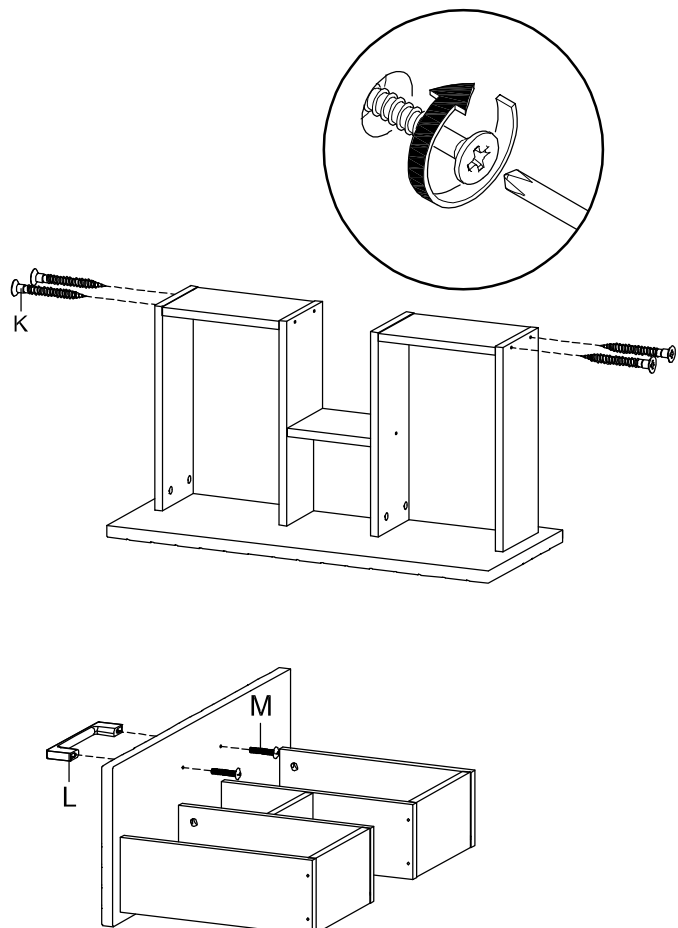
Step 8

HARDWARE

K Screw M 8 x 39 mm x4

L Handle x1

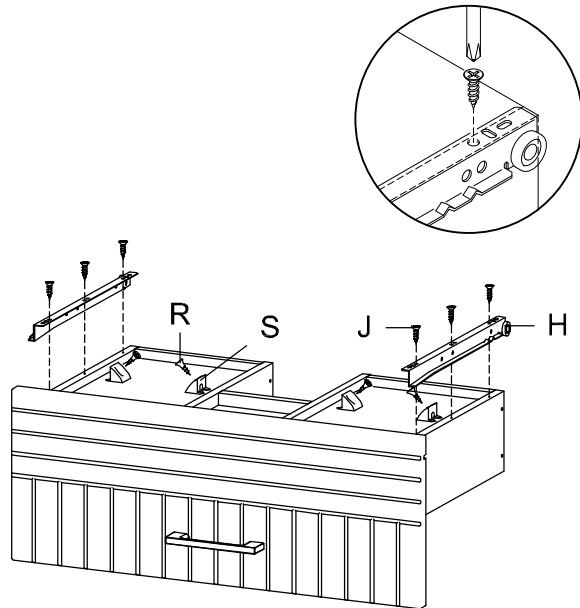
M Screw M 4 x 25 mm x2



Step 9

HARDWARE

H	Rail	x1
J	Screw M 3.5 x 13 mm	x6
R	Screw M 3.5 x 15.5 mm	x4
S	Wedge	x4



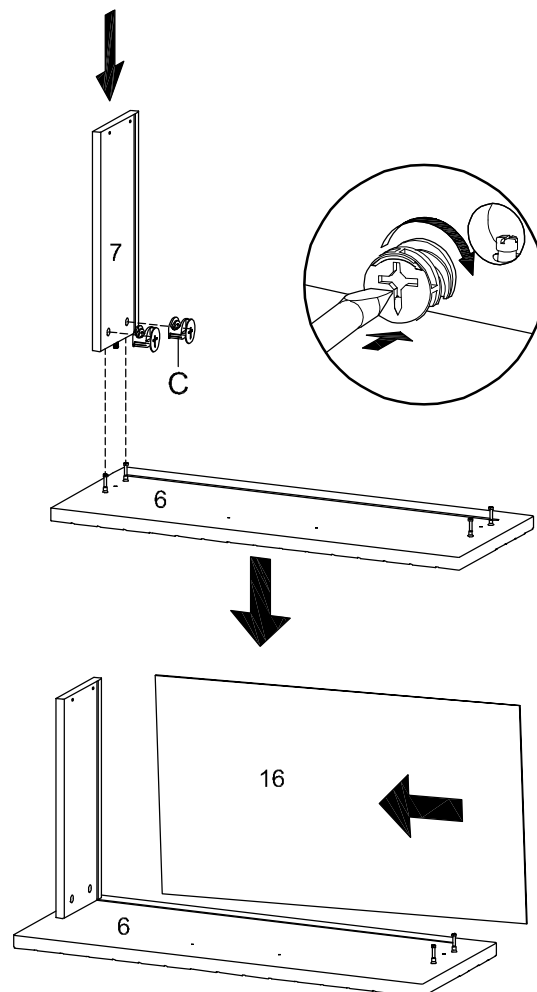
Step 10

HARDWARE

C	Cam Lock Ø12 mm	x2
----------	-----------------	----

COMPONENTS

6	Front Drawer Lower	x1
7	Side Drawer Left A	x1
16	Bottom Drawer Big	x1



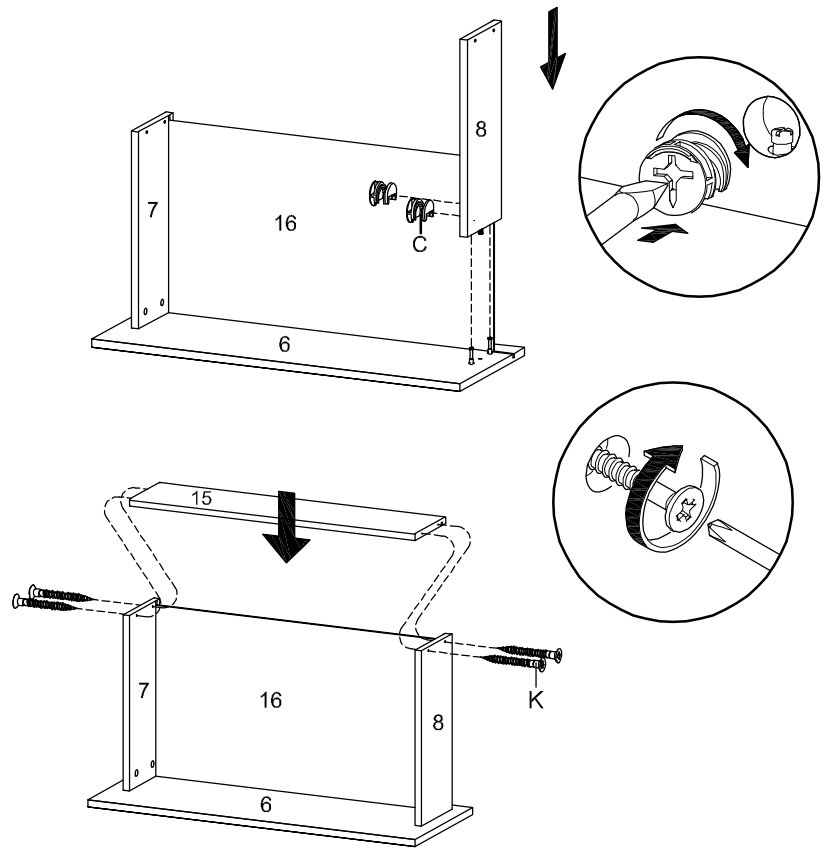
Step 11

HARDWARE

- C** Cam Lock Ø12 mm x2
- K** Screw M 8 x 39 mm x4

COMPONENTS

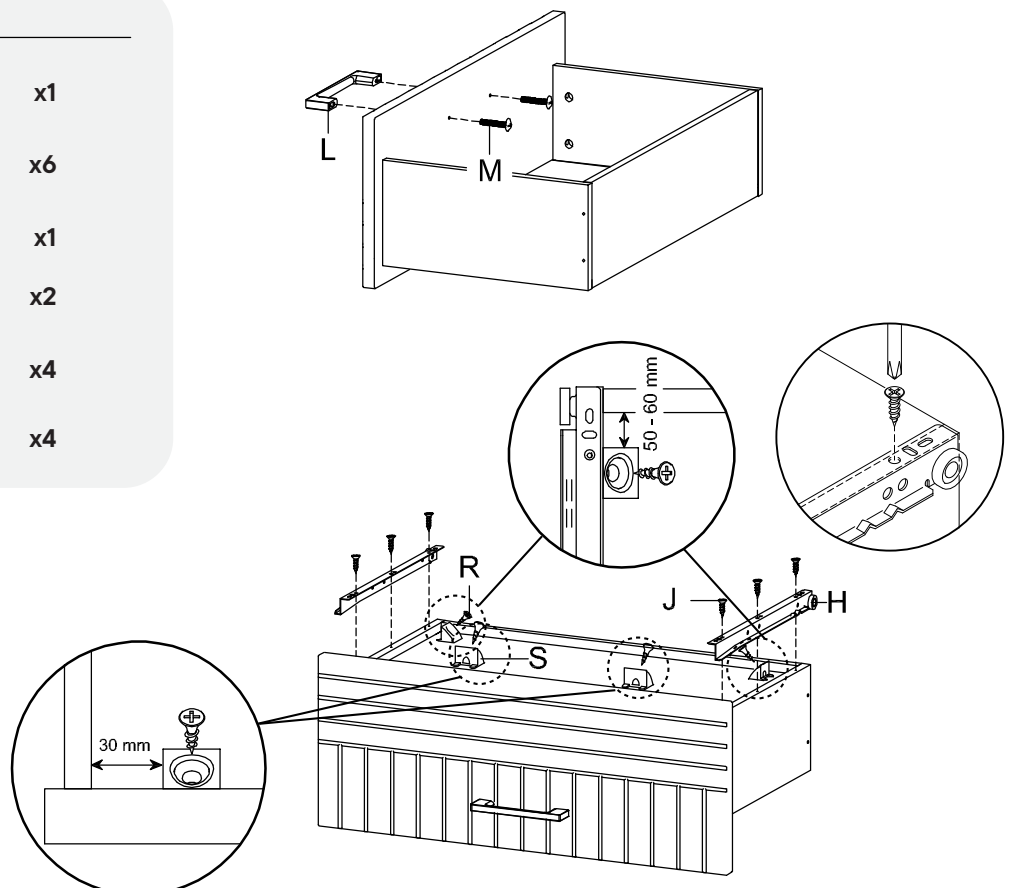
- 8** Side Drawer Right A x1
- 15** Back Drawer Big x1



Step 12

HARDWARE

- H** Rail x1
- J** Screw M 3.5 x 13 mm x6
- L** Handle x1
- M** Screw M 4 x 25 mm x2
- R** Screw M 3.5 x 15.5 mm x4
- S** Wedge x4



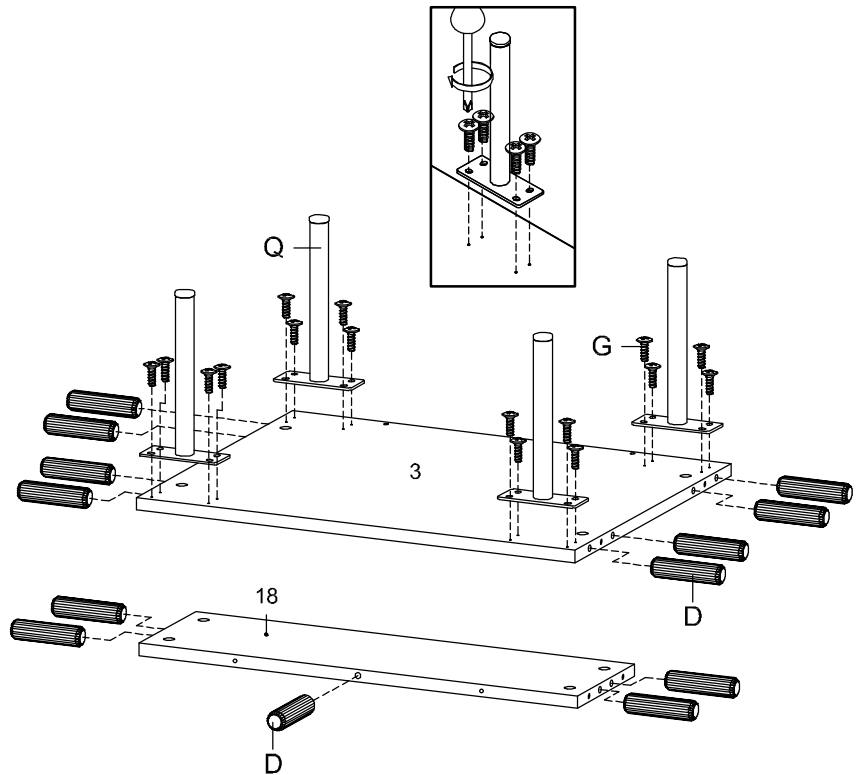
Step 13

HARDWARE

- D** Wood Dowel Ø8 x 30 mm x13
- G** Screw M 4.5 x 12.5 mm x16
- Q** Leg x4

COMPONENTS

- 3** Bottom Board x1
- 18** Back Board Lower x1



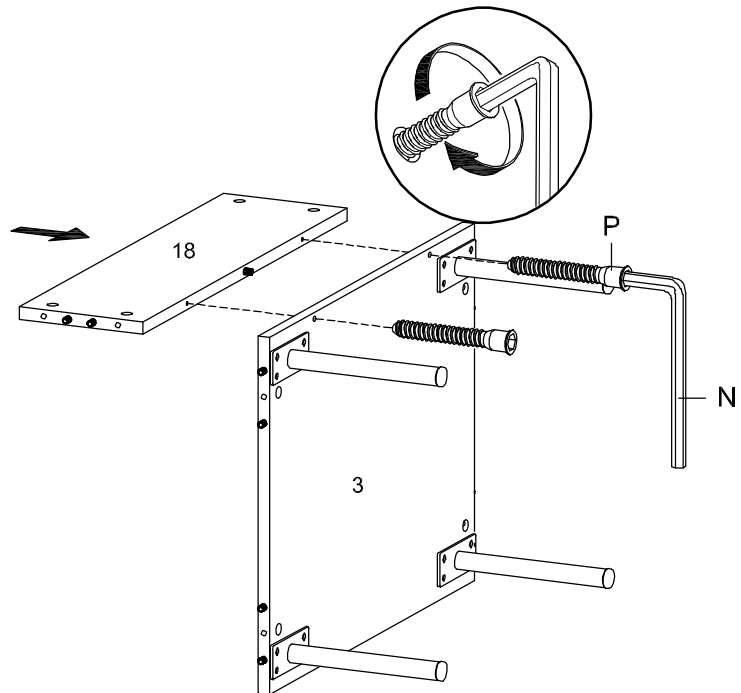
Step 14

HARDWARE

- P** Screw M 7 x 50 mm x2
- N** Allen Key x1

COMPONENTS

- 3** Bottom Board x1
- 18** Back Board Lower x1



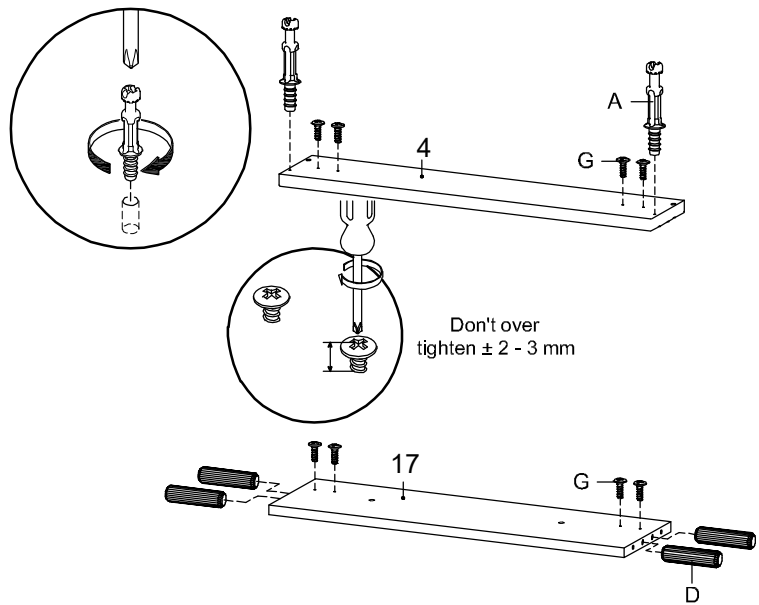
Step 15

HARDWARE

- A** Cam Bolt Ø6 x 35 mm x2
- D** Wood Dowel Ø8 x 30 mm x4
- G** Screw M 4.5 x 12.5 mm x8

COMPONENTS

- 4** Front Skirt x1
- 17** Back Board Upper x1



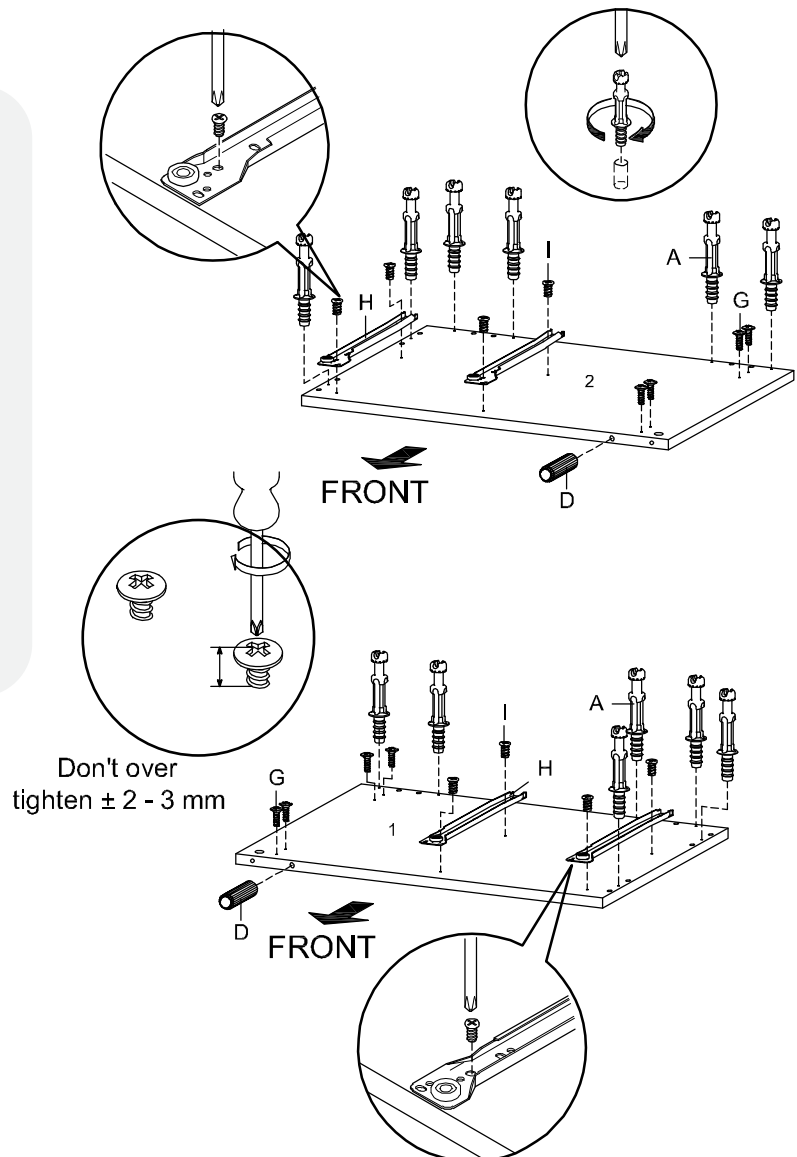
Step 16

HARDWARE

- A** Cam Bolt Ø6 x 35 mm x12
- D** Wood Dowel Ø8 x 30 mm x2
- G** Screw M 4.5 x 12.5 mm x8
- H** Rail x2
- I** Screw M 6 x 10.5 mm x8

COMPONENTS

- 1** Side Board Left x1
- 2** Side Board Right x1



Step 17

HARDWARE

B Cam Lock Ø15 mm x6

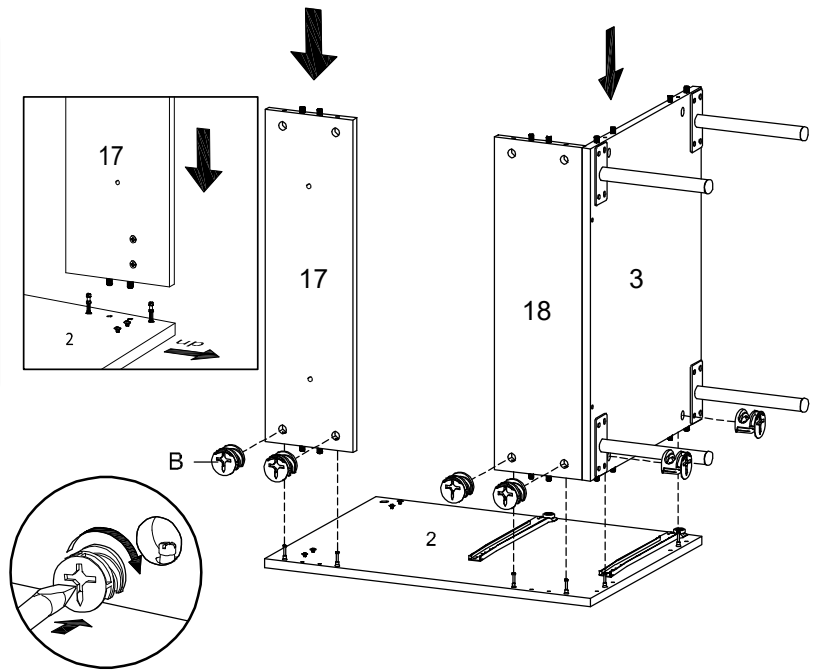
COMPONENTS

2 Side Board Right x1

3 Bottom Board x1

17 Back Board Upper x1

18 Back Board Lower x1



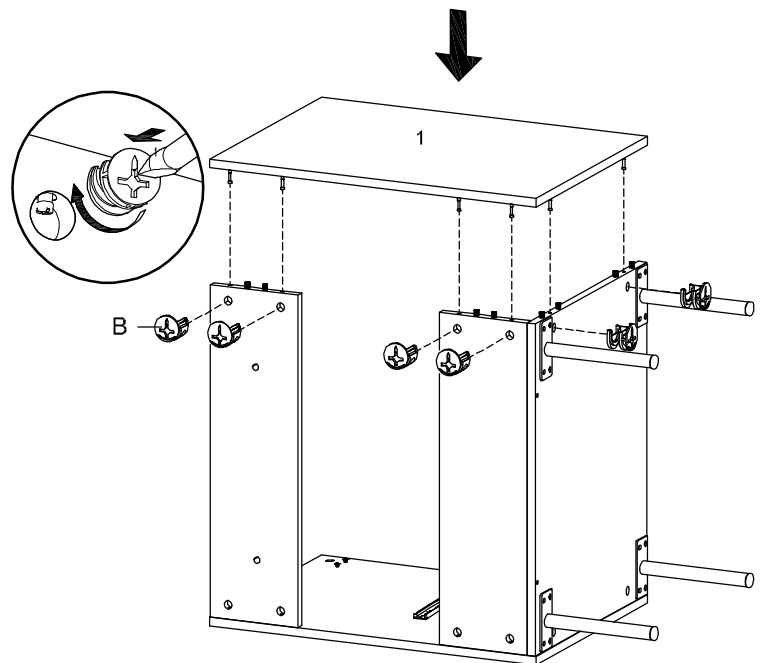
Step 18

HARDWARE

B Cam Lock Ø15 mm x6

COMPONENT

1 Side Board Left x1



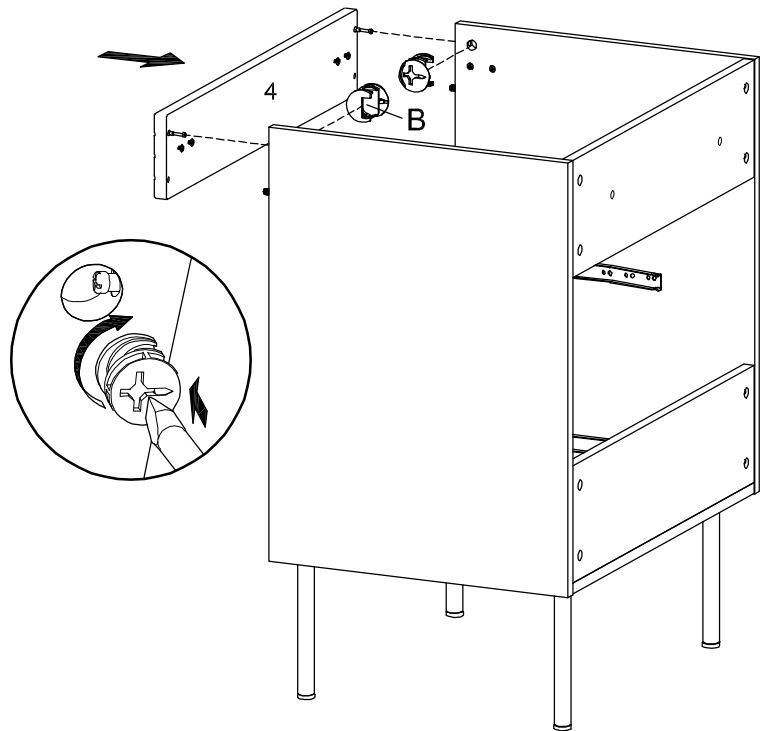
Step 19

HARDWARE

B Cam Lock Ø15 mm x2

COMPONENT

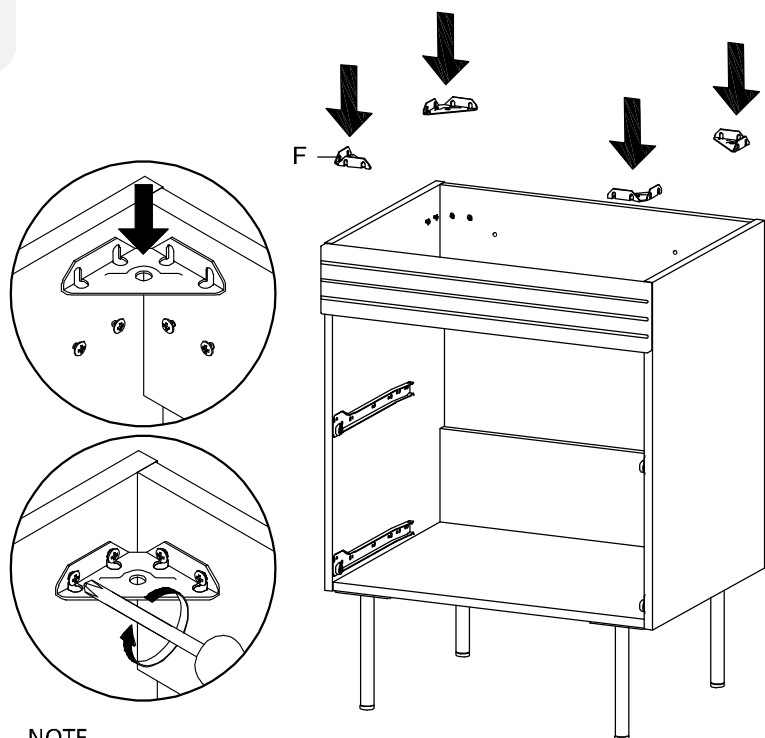
4 Front Skirt x1



Step 20

HARDWARE

F Corner Bracket x4

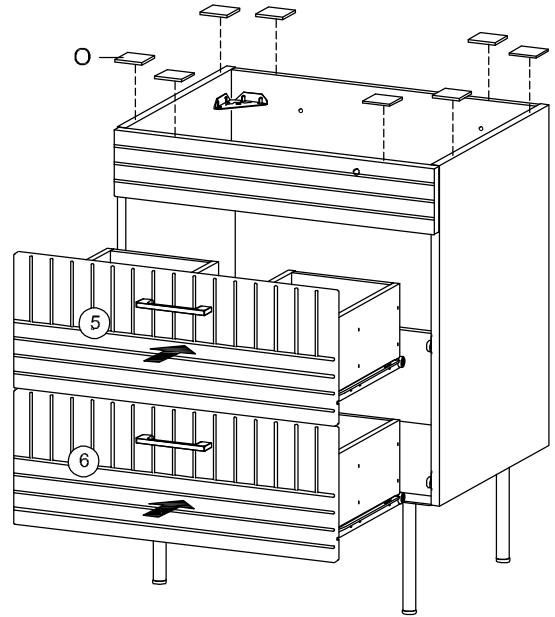
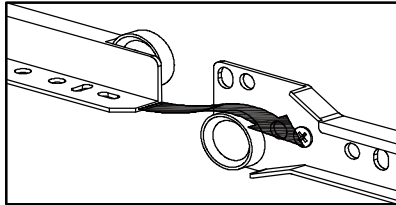
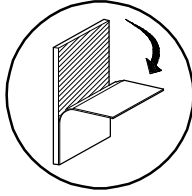


NOTE
Tighten all the screw

Step 21

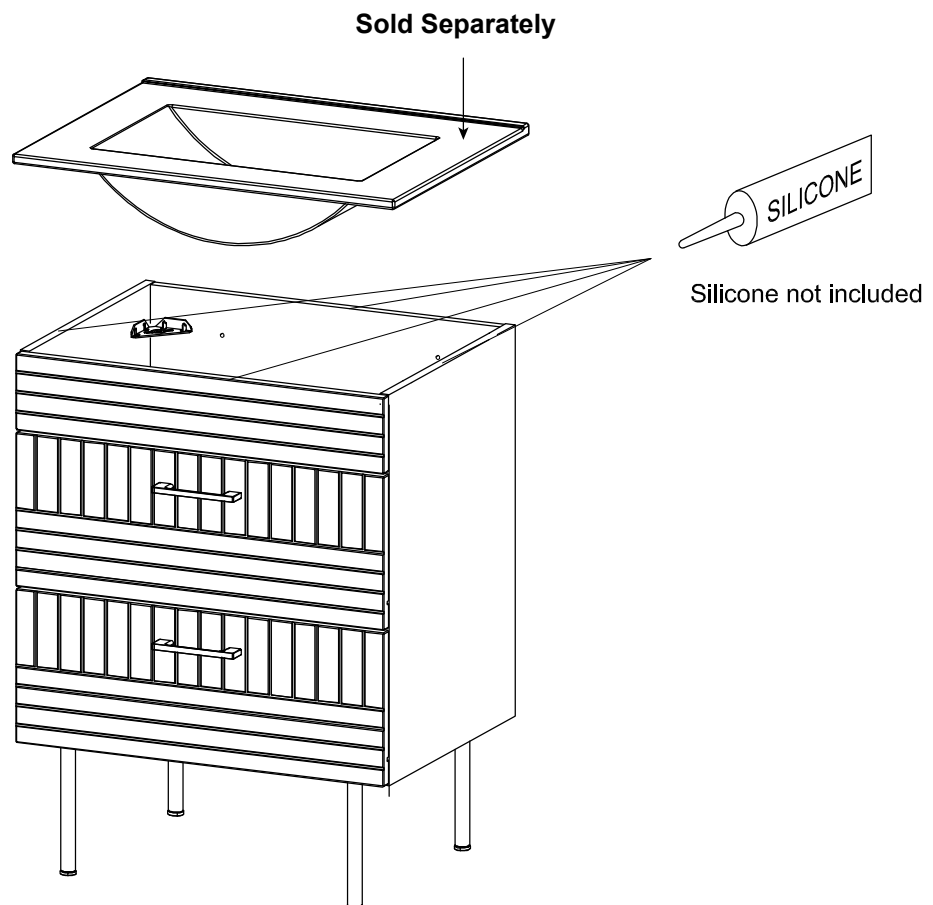
HARDWARE

- Foam Pad 25 x 15 x 2 mm x8



Step 22

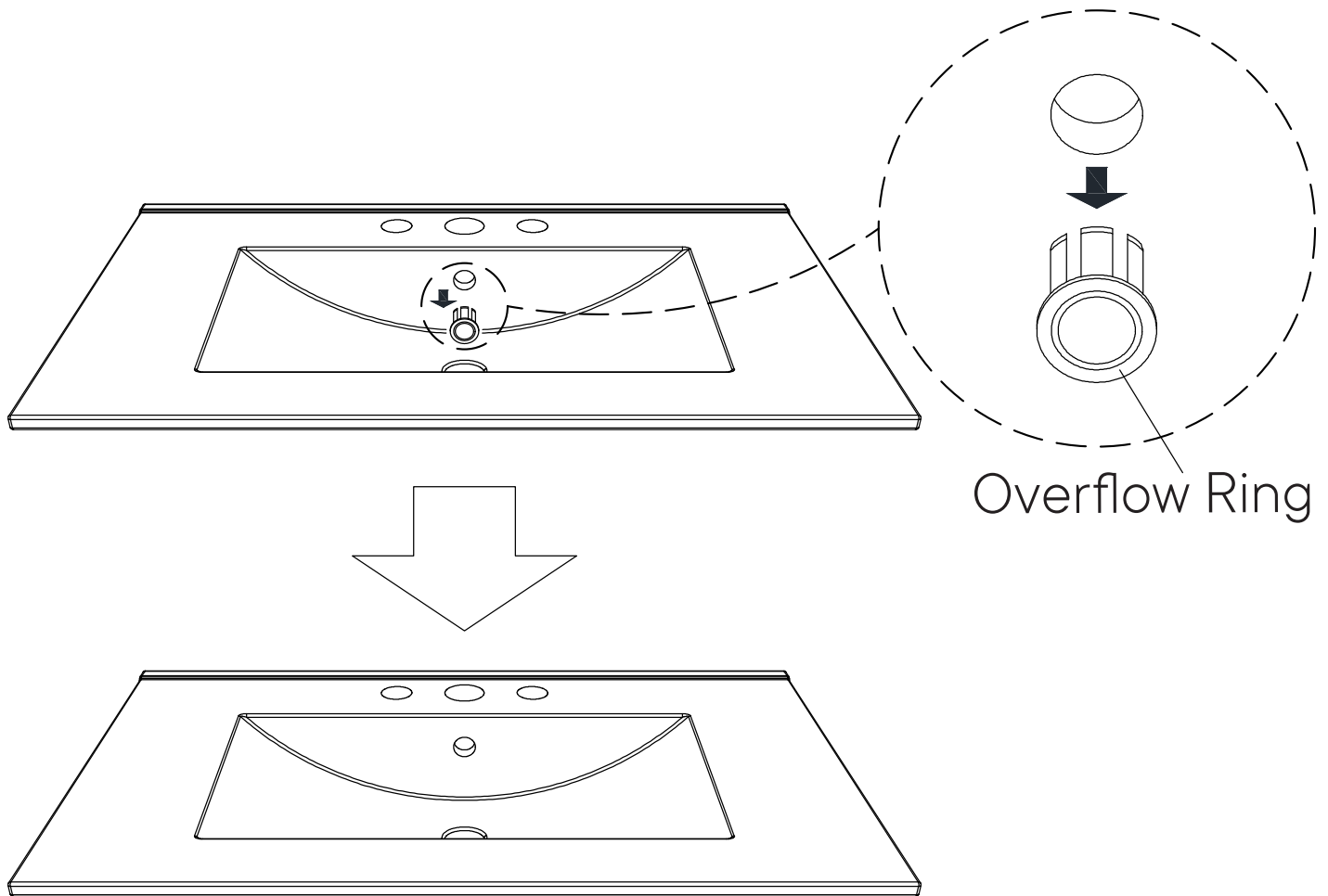
Apply a thin bead of silicone compound around the vanity base and set the vanity top carefully in place. Remove any excess silicone compound with a wet rag. Temporarily remove/dismantle all Drawers during Basin/Sink /Plumbing work installation work to prevent water damage.



A quick note...

*modway

Your sink basin comes complete with a silver overflow ring.
If you'd like to remove this overflow ring, you can do so by hand.



Wait!

Missing parts or hardware? Need assistance?

Contact us before returning your item. We're here to help!

609.256.9000 • cs@modway.com

Great job!

Cabinet assembly is complete.

♥ CARING FOR YOUR ITEM

Indoor use only.

Not contract grade.

Clean using a non-abrasive cloth and a mild cleaner.

Never use harsh chemicals, as they could damage the finish or integrity of the item.

CONNECT WITH US!   

Tag us [@modway_furniture](#) and [#modway](#) for a chance to be featured.

