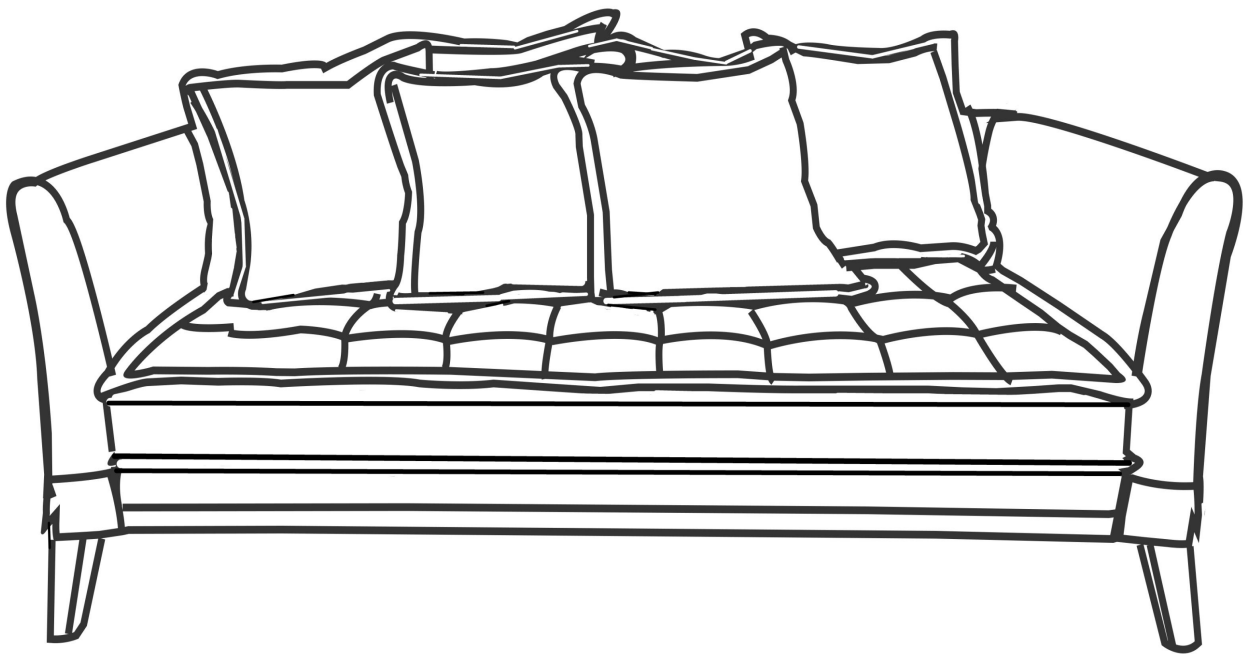


# ASSEMBLY INSTRUCTIONS

# EEI-4909

V1.08.19.22



## Questions? Contact us!

609.256.9000 • [cs@modway.com](mailto:cs@modway.com)  
[www.modway.com](http://www.modway.com)

\*modway

# Let's get started!

\*modway



Read through all of the instructions before starting



Care instructions are listed in the last step of this manual



Approx. 30 minutes assembly time



Make sure you have all parts and components before discarding any packing materials



2 people recommended for assembly

**Only use hand tools to assemble this item.** Do not use power tools. Do not tighten bolts or screws completely until all hardware is lined up and inserted into the holes.

Do not over-tighten screws and bolts to avoid stripping the hardware or cracking the item.

Assemble your item on a flat, carpeted area, with plenty of space to work. This will prevent damage and scratches to your floors or the item while you're assembling the product.

Keep all components and packaging out of reach of children or animals to avoid risk of choking or suffocation.

## Furniture components:

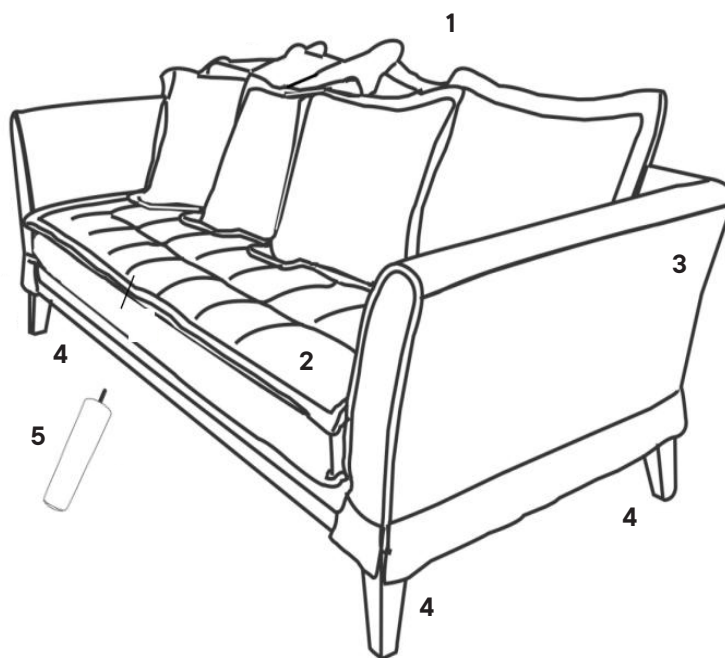
1 Back Cushion x7

2 Seat Cushion x1

3 Sofa Body x1

4 Corner Leg x4

5 **Straight** Middle Leg x1



## Provided hardware:

A  Bolt M8 x 90mm x8

B  Flat Washer x8

C  Allen Key x1

**Wait!**

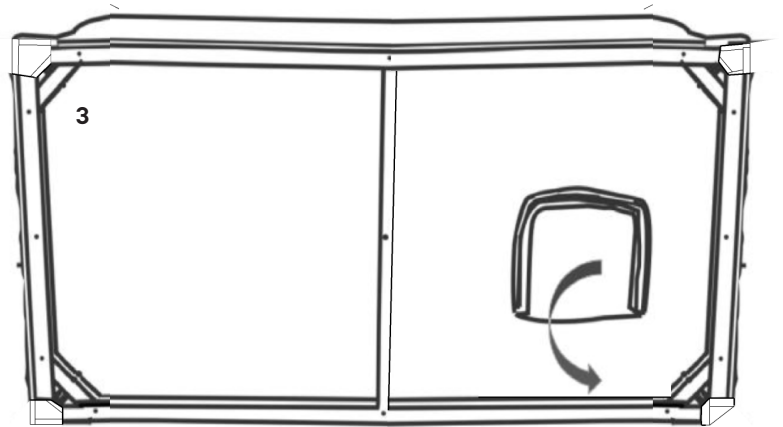
**Missing parts or hardware? Need assistance?**

Contact us before returning your item. We're here to help!  
609.256.9000 • [cs@modway.com](mailto:cs@modway.com)

# Step 1

## COMPONENTS

- ③ Sofa Body x1
- ④ Corner Leg x4
- ⑤ Straight Middle Leg x1



Unzip the bottom facing pocket to locate 4pcs Corner Legs (4), Straight Middle leg (5) & hardware pack.

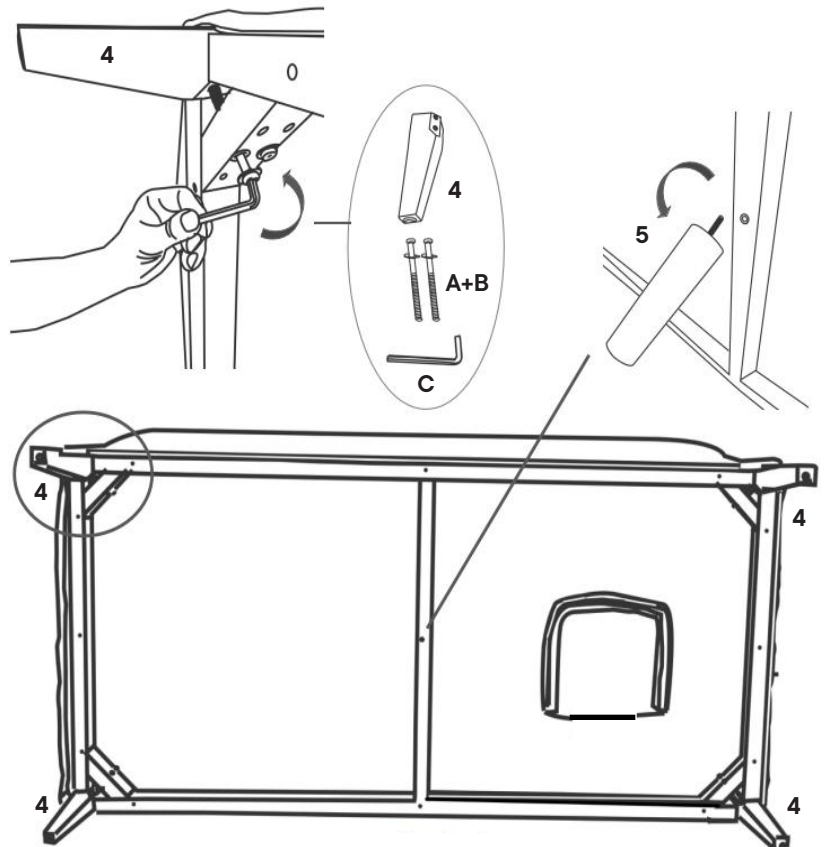
# Step 2

## HARDWARE

- Ⓐ Bolt M8 x 90mm x8
- Ⓑ Flat Washers x8
- Ⓒ Allen Key x1

## COMPONENTS

- ④ Corner Leg x4
- ⑤ Straight Middle Leg x1



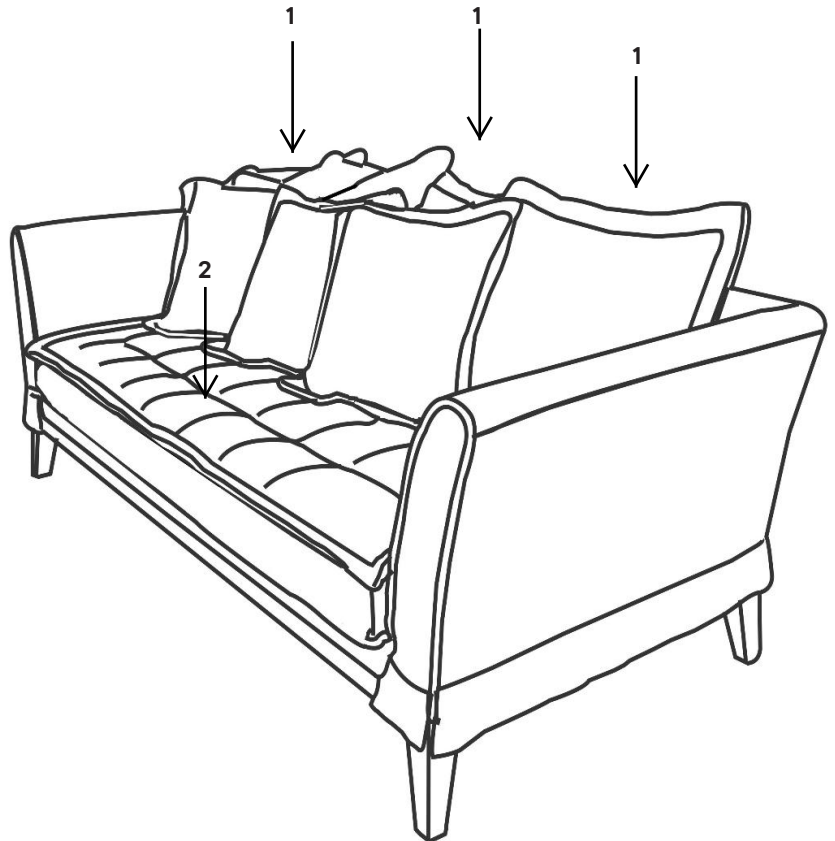
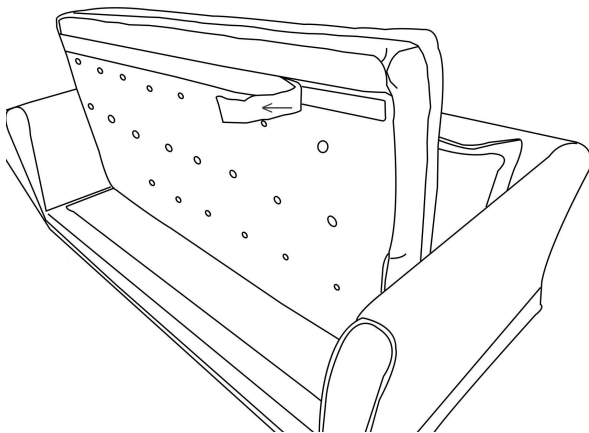
Note : The Straight Middle Leg (5) is adjustable. Please adjust it if the sofa is not leveled.

# Step 3

## COMPONENTS

- 1 Back Cushion x7
- 2 Seat Cushion x1

Note: Please remove the protection film on the velcro.



# Great job!

Your sofa is complete and ready to enjoy.

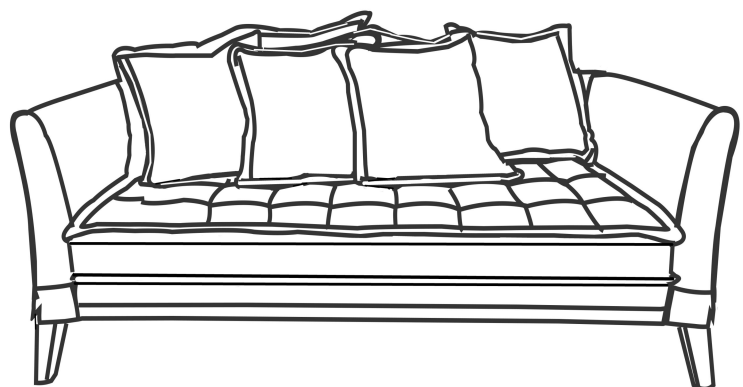
## ♥ CARING FOR YOUR ITEM

Indoor use only.

Not contract grade.

Spot clean using a non-abrasive cloth and a mild cleaner.

Never use harsh chemicals, as they could damage the finish or integrity of the item.



CONNECT WITH US!   

Tag us @modway\_furniture and #modway for a chance to be featured.