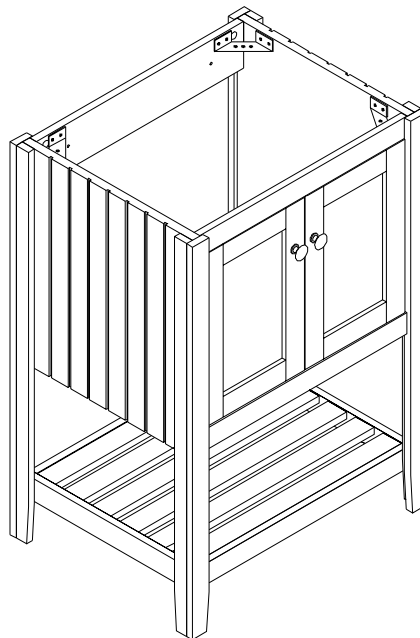
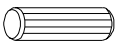
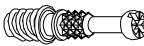
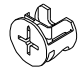




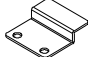
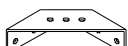

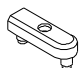
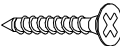




Thank you for purchasing the **MODWAY Vanity!**
 Before you start, here are some helpful advice:

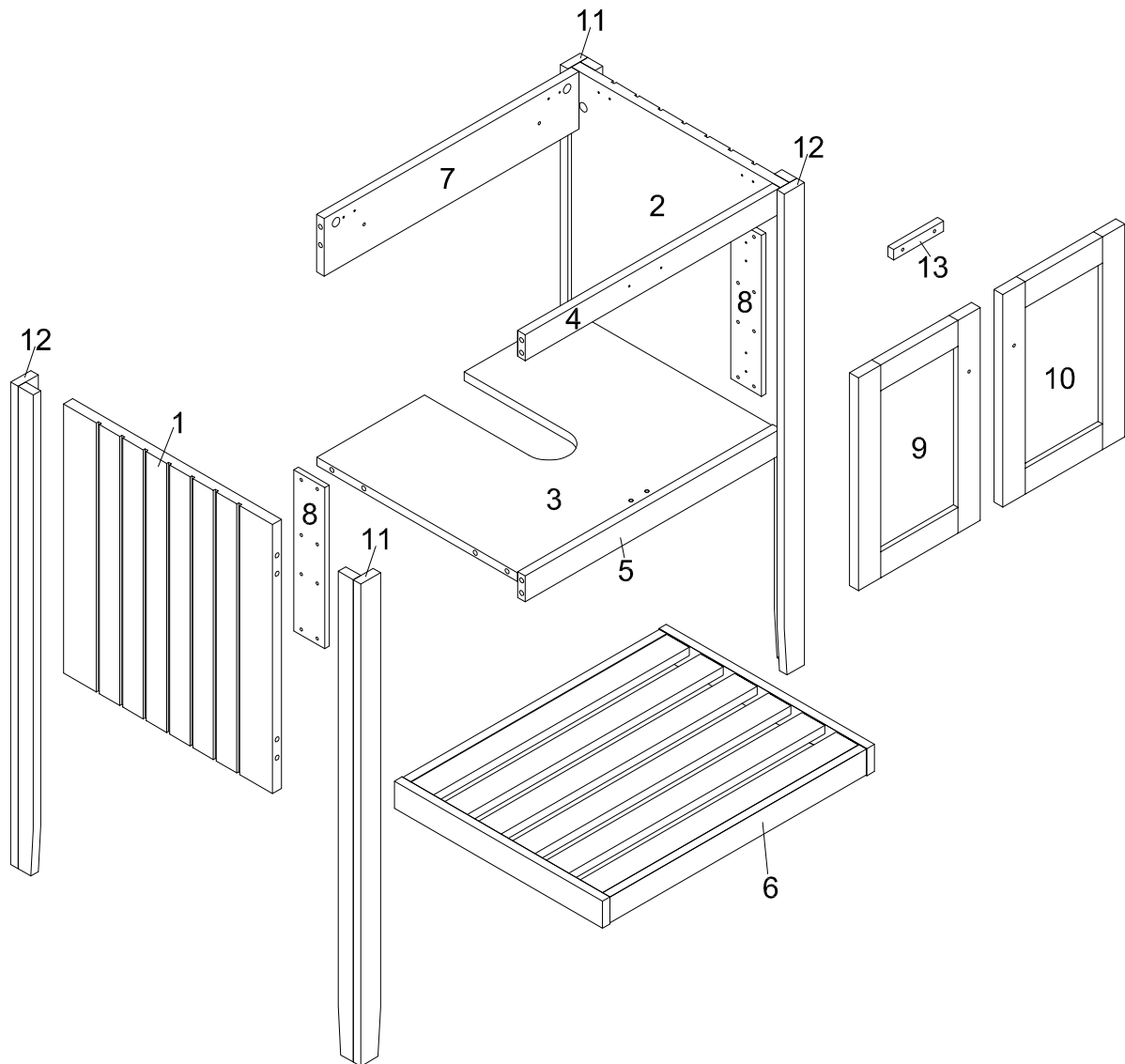
1. We suggest you spend a short time reading through this leaflet and then follow the simple step-by-step instructions.
2. Owing to the size and weight of the vanity, we recommend that it is assembled by two adults, on a carpeted or padded area, in the room that it is intended for. Approximate assembly time: 60 minutes.
3. Please do not use any tools other than those provide or recommended in these instructions.
4. Please do not throw away any of the packaging or instructions until you have checked all the components and hardware and the furniture is fully assembled.
5. Assemble all components loosely until advised to tighten. Depending on use, it may be necessary to tighten the components from time to time, so please save the tools that have been provided.
6. Please keep all pieces out of reach of children.



Hardware :

<p>A) Dowel/Wood</p>  <p>M8 x 25 mm x 24</p>	<p>B) Cambolt/Metal</p>  <p>Ø6 x 24 mm x 16</p>	<p>C) Camlock/Metal</p>  <p>Ø15 mm x 16</p>	<p>D) Knob/Metal</p>  <p>Ø30 mm x 2</p>	<p>E) Screw/Metal</p>  <p>M4 x 25 mm x 2</p>
<p>F) Screw/Metal</p>  <p>M4 x 14 mm x 42</p>	<p>G) Hinges/Metal</p>  <p>x 4</p>	<p>H) Bracket/Metal</p>  <p>24 x 30 mm x 1</p>	<p>I) Bracket/Metal</p>  <p>28 x 100 mm x 4</p>	<p>J) Screw/Metal</p>  <p>M3.5 x 16 mm x 1</p>
<p>K) Stopper/Plastic</p>  <p>14 x 41 x 8 mm x 1</p>	<p>L) Screw/Metal</p>  <p>M4 x 25 mm x 22</p>	<p>M) Hammer (Not include)</p>  <p>x 1</p>	<p>N) Screwdriver (Not include)</p>  <p>x 1</p>	

Components:

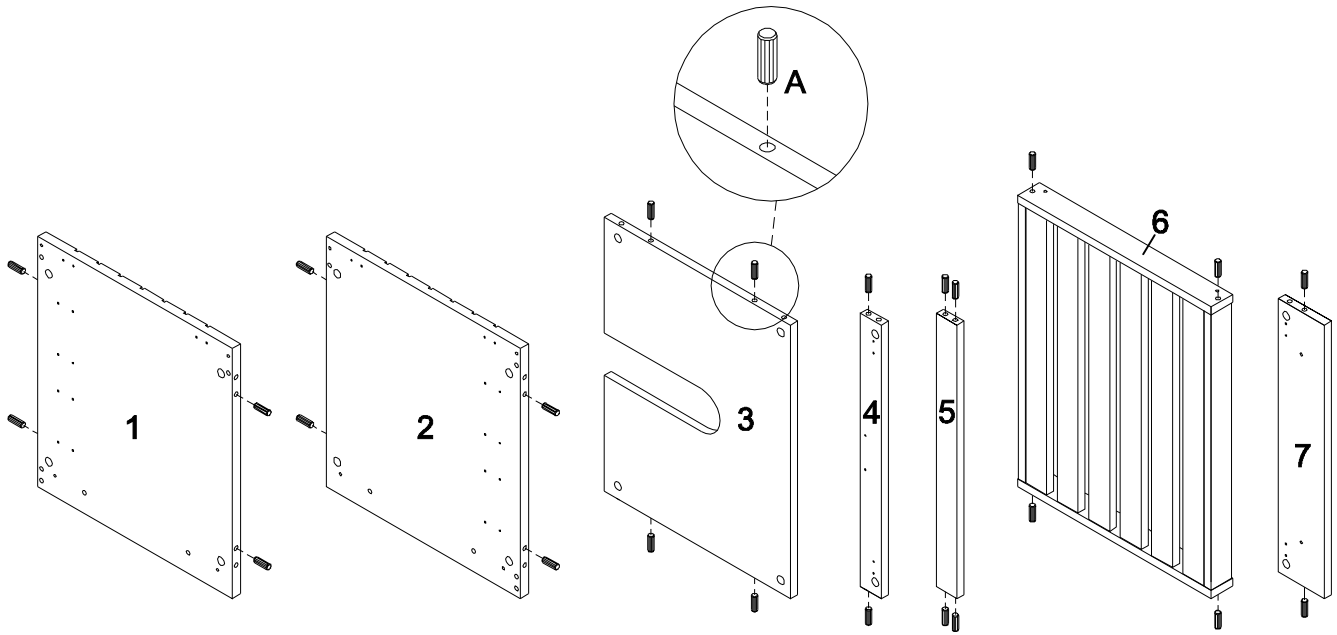




All parts/components are labeled with numbering as the part list below.

- | | | | | | | | |
|--------------------|----|--------------------|----|--------------------|----|--------------------|----|
| ① Side Panel Left | x1 | ② Side Panel Right | x1 | ③ Bottom Panel | x1 | ④ Base Panel 1 | x1 |
| ⑤ Base Panel 2 | x1 | ⑥ Adjustable Shelf | x1 | ⑦ Back Panel | x1 | ⑧ Vertical Panel 1 | x2 |
| ⑨ Door Left | x1 | ⑩ Door Right | x1 | ⑪ Vertical Panel 2 | x2 | ⑫ Vertical Panel 3 | x2 |
| ⑬ Horizontal Panel | x1 | | | | | | |

STEP 1 :

Carefully insert the **Wood Dowels (A)** at the designated holes on the relevant parts.

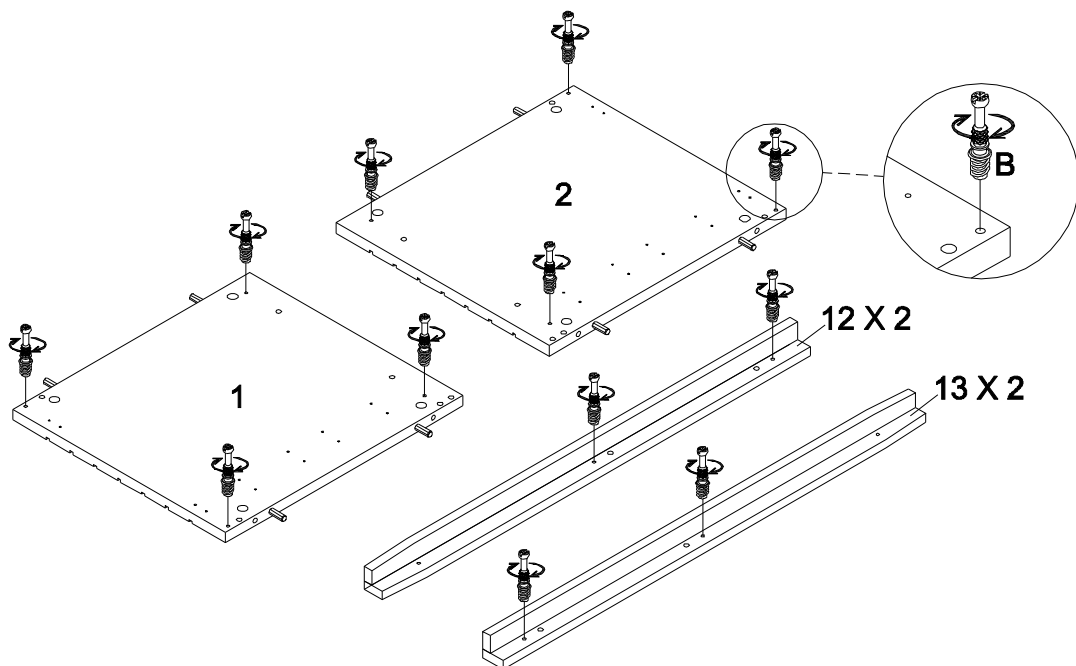




	
Ax24	Mx1

Hardware required. Hammer not included

STEP 2 : (Power tool not recommended)

Use Philips screwdriver to insert the **Cambolt (B)** carefully at the designated holes on the relevant parts. Please ensure the Cambolt is inserted and secured at the correct pre-drilled holes.

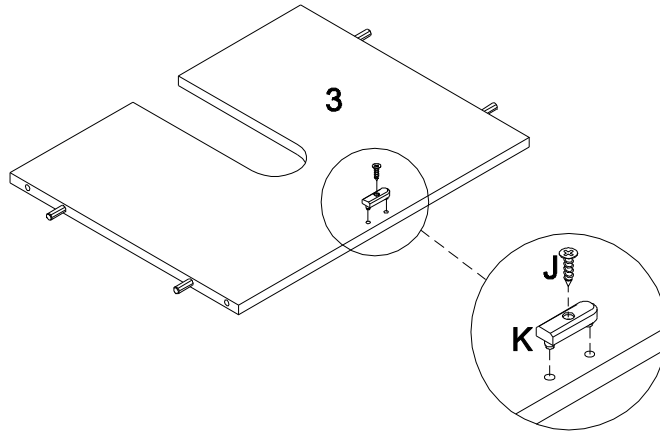




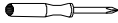
	
Bx16	Nx1

Hardware required. Screwdriver not included

STEP 3 :

Secure the **Door Stopper (K)** to the **Bottom Panel (3)** with **Screw (J)**.

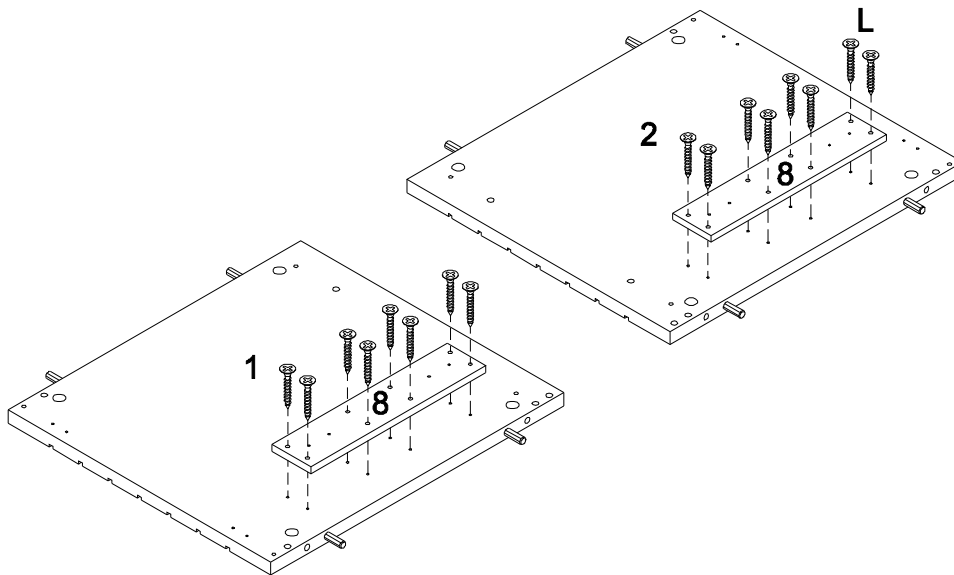




		
Jx1	Kx1	Nx1

Hardware required. Screwdriver not included

STEP 4 :

Secure the **Vertical Panel 1 (8)** to the **Side Panel Left (1)** and **Side Panel Right (2)** with 16 pieces of **Screws (L)**.

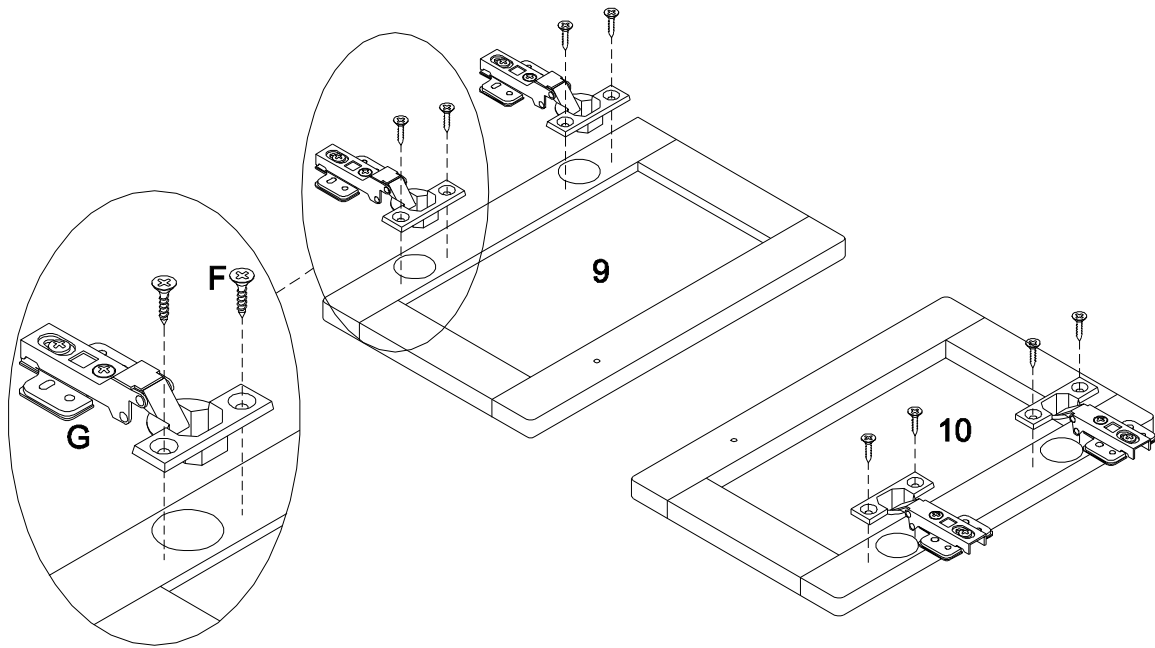




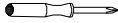
	
Lx16	Nx1

Hardware required. Screwdriver not included

STEP 5 :

Assemble 2 pieces of **Door Hinges (G)** to the **'Door Left (9)'** and **'Door Right (10)'** on each sides and secure it with 2 pieces of **Screws (F)** for each hinges.

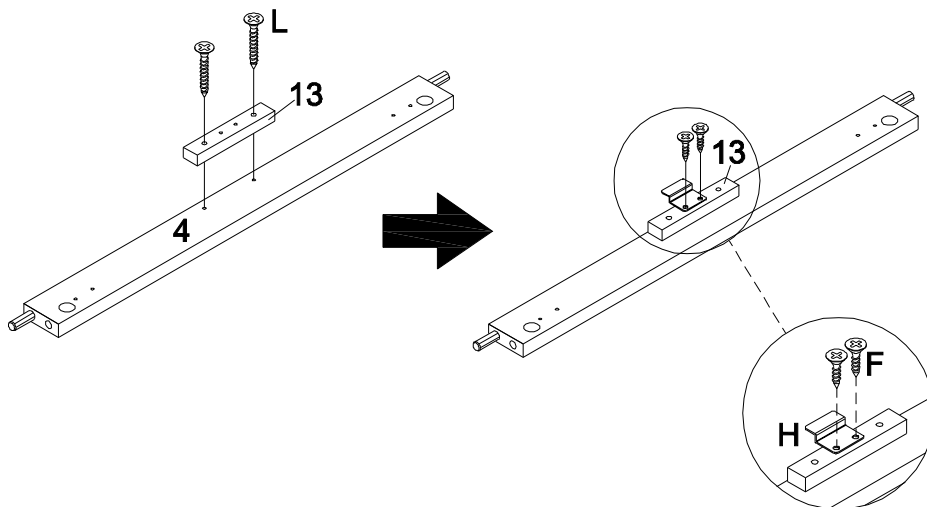






		
Fx8	Gx4	Nx1

Hardware required. Screwdriver not included

STEP 6 :

- 6.1- Secure the **Horizontal Panel (13)** to the **Base Panel 1 (4)** with 2 pieces of **Screws (L)**.
- 6.2- Use screwdriver to secure the **Metal Bracket (H)** to the **Horizontal Panel (13)** with 2 pieces of **Screws (F)**.



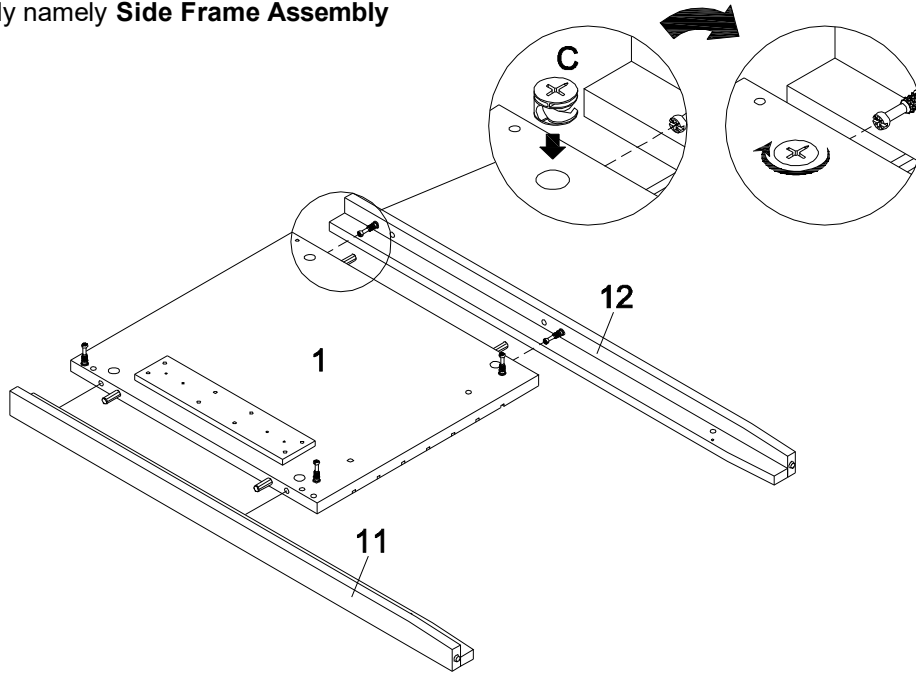
			
Fx2	Lx2	Hx1	Px1



Hardware required. Screwdriver not included

STEP 7 :

Properly insert the **Camlock (C)** in the pre-drilled hole then align it to the assembled **Cambolt (B)** to secure both **Side Panel Left (1)** to the **Vertical Panel 2 (11)** and **Vertical Panel 3 (12)**.

This assembly namely **Side Frame Assembly**

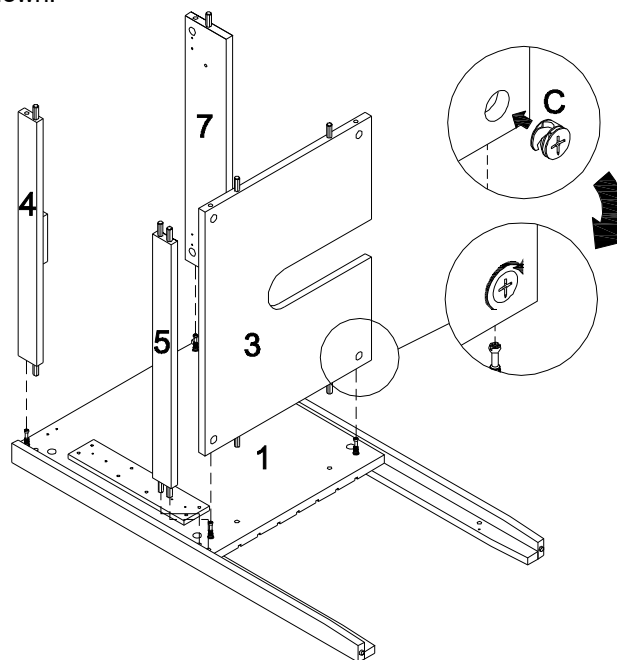




	
Cx4	Nx1

Hardware required. Screwdriver not included

STEP 8 :

- 8.1- Lay flat the **Side Panel Left (1)** which already assembled with 4 pieces of **Cambolt (B)**.
- 8.2- Insert **Camlock (C)** to the pre-drilled hole of the **Bottom Panel (3)** then properly align the Wooden Dowel to the pre-drilled hole of the **Side Panel Left (1)**.
- 8.3- Once aligned and attached, make sure to secure **Camlock (C)** from the **Bottom Panel (3)** to the **Cambolt (B)** of the **Side Panel Left (1)**.
- 8.4- Repeat steps to secure the **Base Panel 1 (4)**, **Base Panel 2 (5)** and **Back Panel 7** to the **Side Panel Left (1)** as shown.

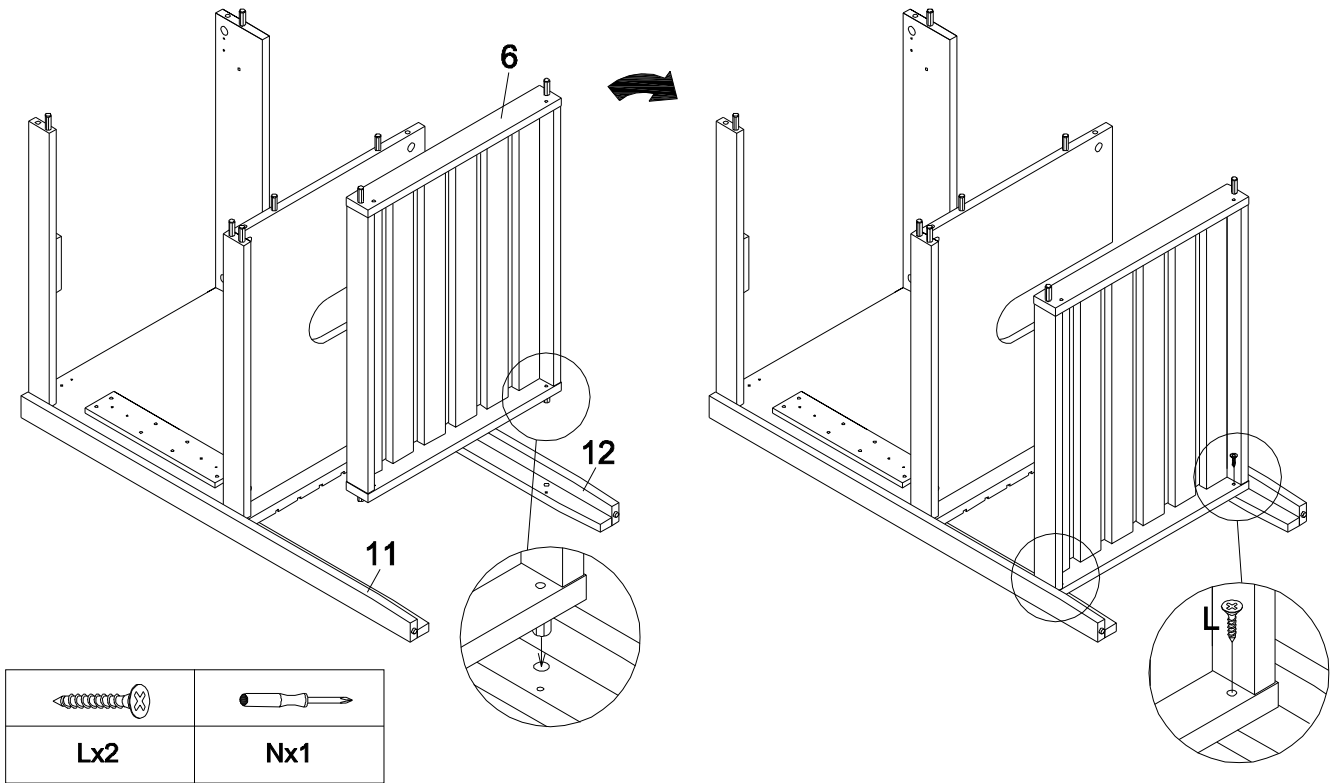


	
Cx4	Nx1

Hardware required. Screwdriver not included

STEP 9 :

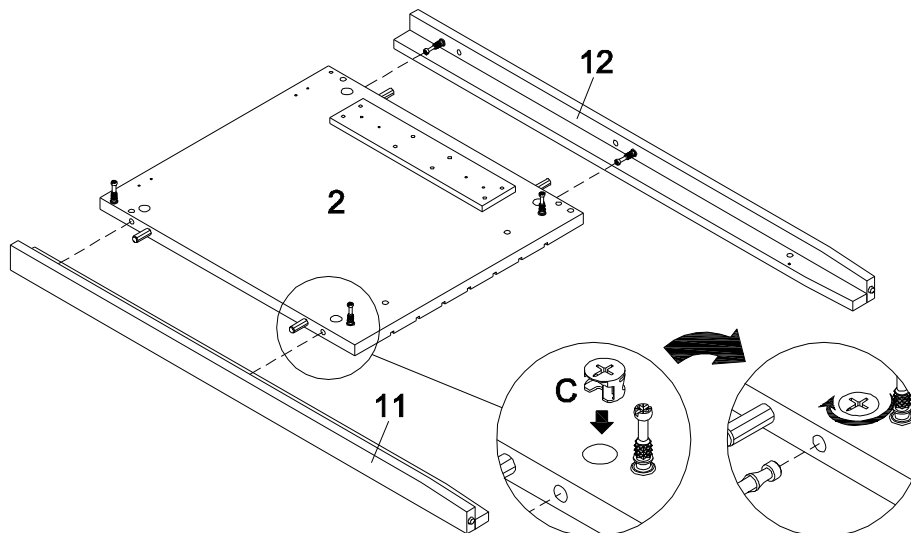
Make sure the **Adjustable Shelf (6)** with Wood Dowel was attached to the **Vertical Panel 2 (11)**.
Secure a **Screw (L)** to the **Adjustable Shelf (6)** thru the **Vertical Panel (11&12)** by using
screwdriver as shown.

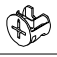
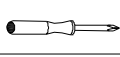


STEP 10 :

Properly insert the **Camlock (C)** in the pre-drilled hole then align it to the assembled **Cambolt (B)** to secure
Side Panel Right (2) to the **Vertical Panel 2 (11)** and **Vertical Panel 3 (12)**.

This assembly namely **Side Frame Assembly**

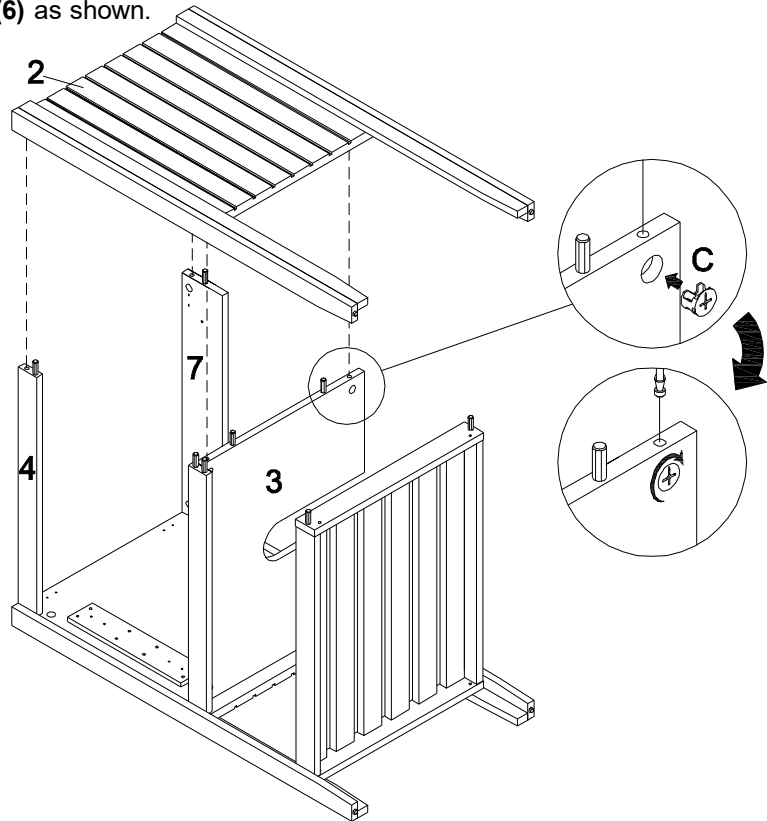




	
Cx4	Nx1

Hardware required. Screwdriver not included

STEP 11 :

Repeat steps from STEP 8.2 -8.3 to secure **Bottom Panel (3)**, **Base Panel 1 (4)**, **Base Panel 2 (5)**, **Back Panel (7)** and **Adjustable Shelf (6)** as shown.

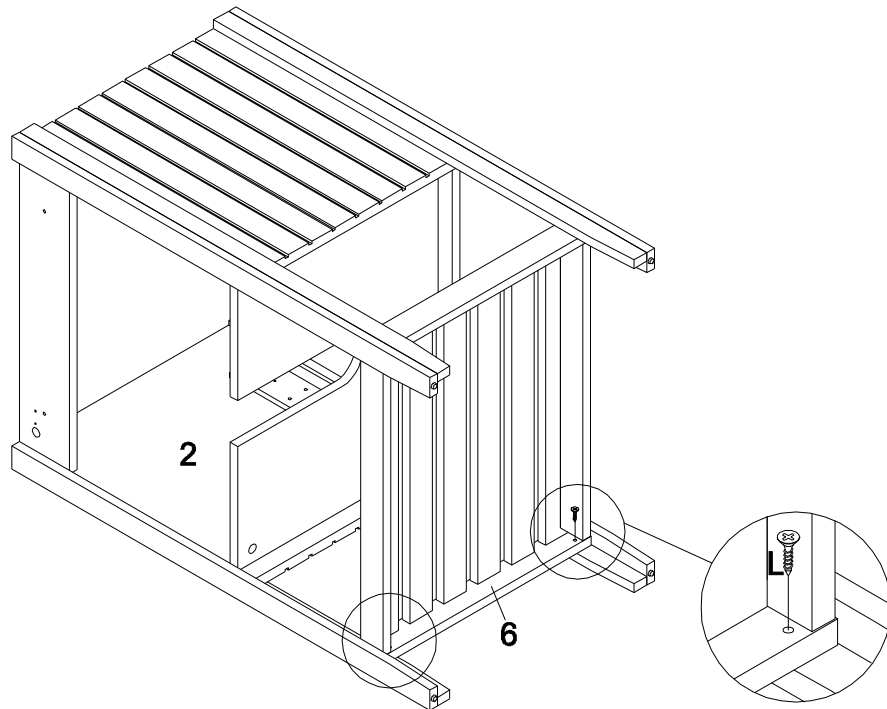


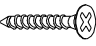

	
Cx4	Nx1

Hardware required. Screwdriver not included

STEP 12 :

Carefully turnover the assembled vanity from STEP 11. Secure a **Screw (L)** on each side of the **Adjustable Shelf (6)** thru the **Vertical Panel (11&12)** by using screwdriver as shown.



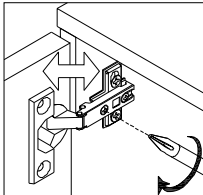
	
Lx2	Nx1

Hardware required. Screwdriver not included

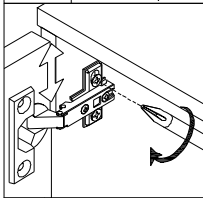
STEP 13 :

Hinges Adjustment Facilities

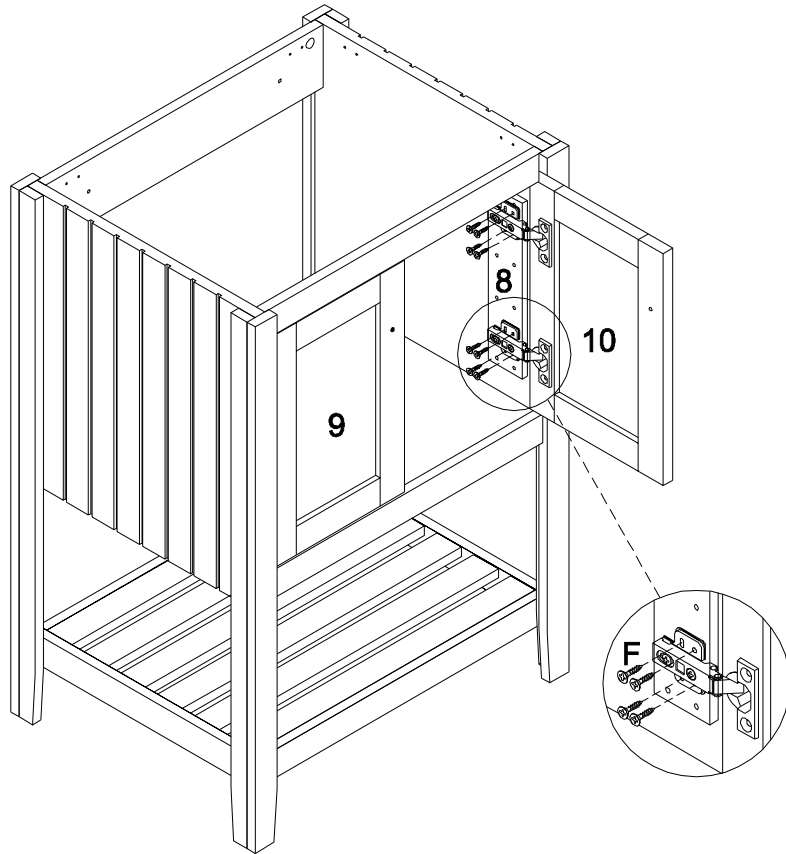
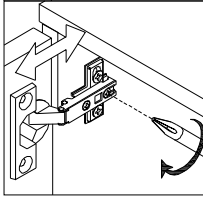
A. Lateral adjustment by screw adjusting





B. Vertical adjustment via slot in the mounting plate



C. Front-to-Back by slacking the hinges arm mounting screw

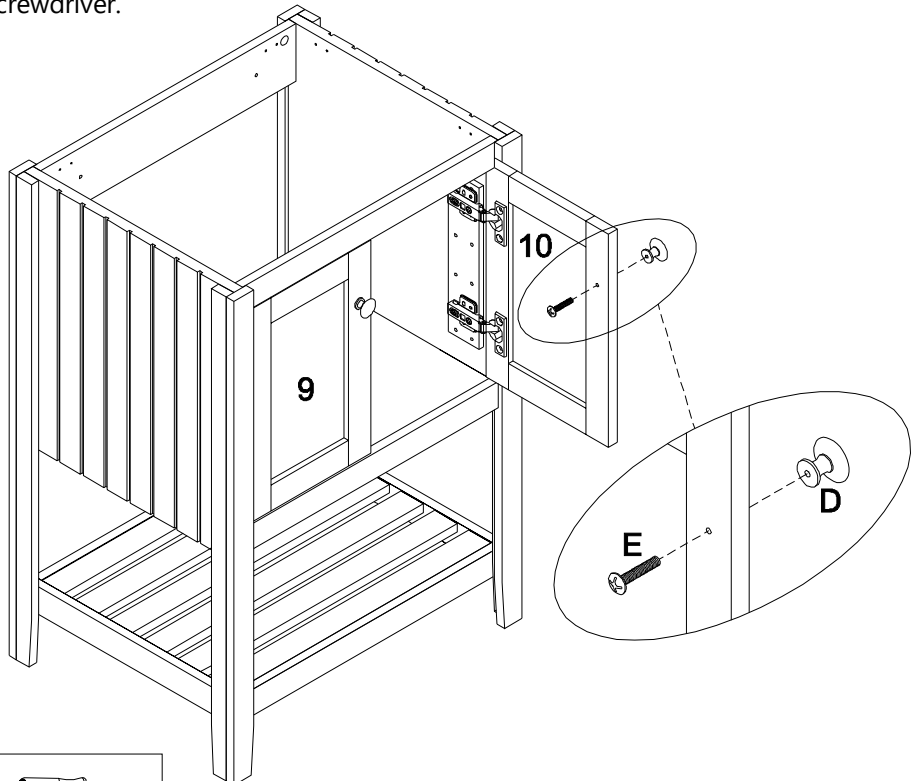





	
Fx16	Nx1

Hardware required. Screwdriver not included

STEP 14 :

Assemble **Door Knob (D)** on each '**Door Left (9)**' and '**Door Right (10)**' and secure it with a **Screw (E)** by using screwdriver.

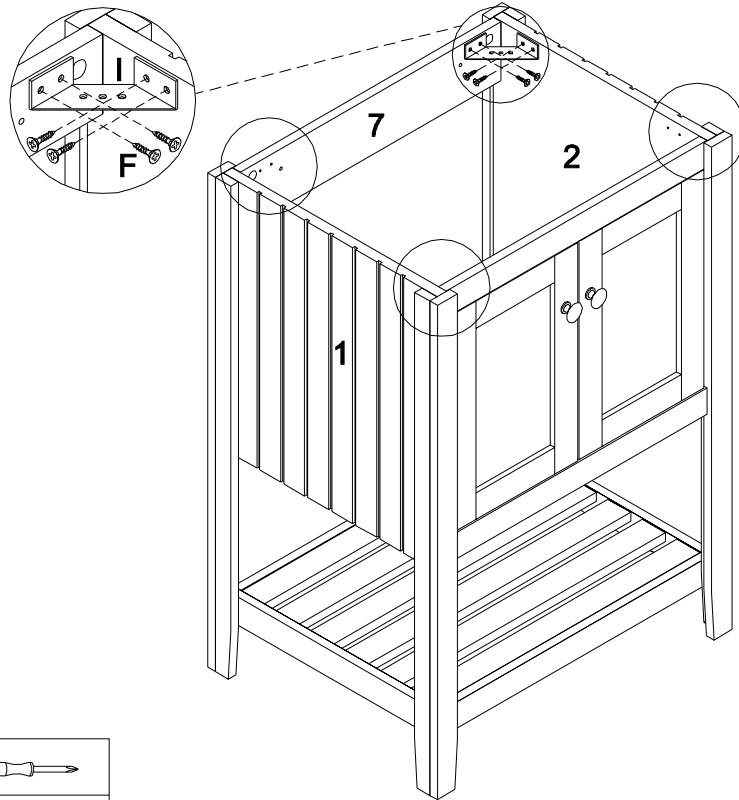





		
Dx2	Ex2	Nx1

Hardware required. Screwdriver not included

STEP 15 :

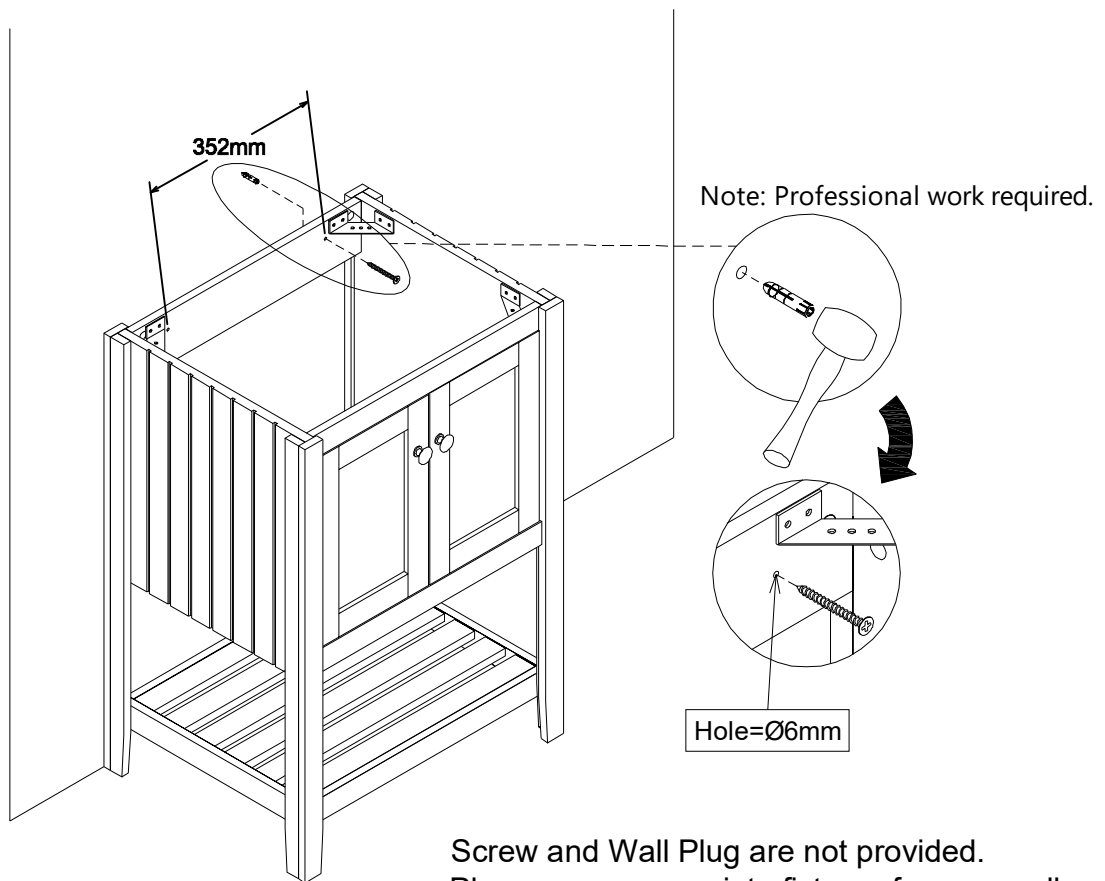
Use Screwdriver to secure the **Metal Bracket (I)** on each corner of the top portion of the Vanity Cabinet with 4 pieces of **Screw (F)**.



		
Fx16	Ix4	Nx1

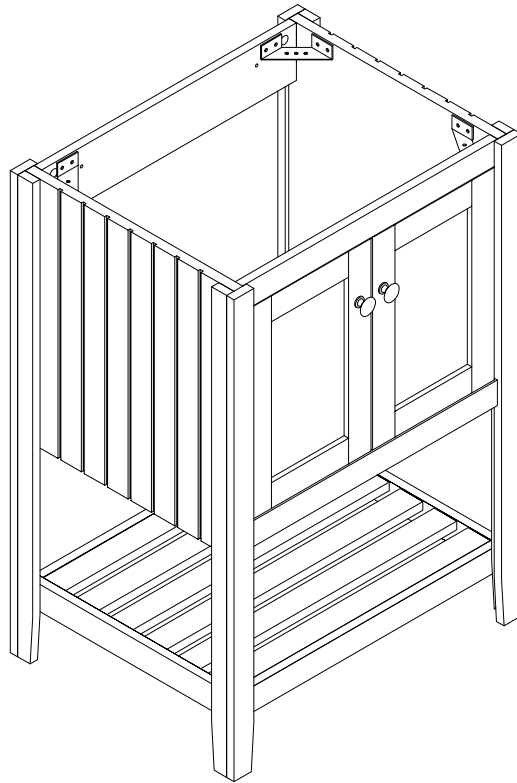
Hardware required. Screwdriver not included

STEP 16 :



Screw and Wall Plug are not provided.
Please use appropriate fixtures for your wall.

STEP 17 :



Assembly is complete.

STEP 18 :

Apply a thin bead of silicone compound around the vanity base and set the vanity top carefully in place. Remove any excess silicone compound with a wet rag.

