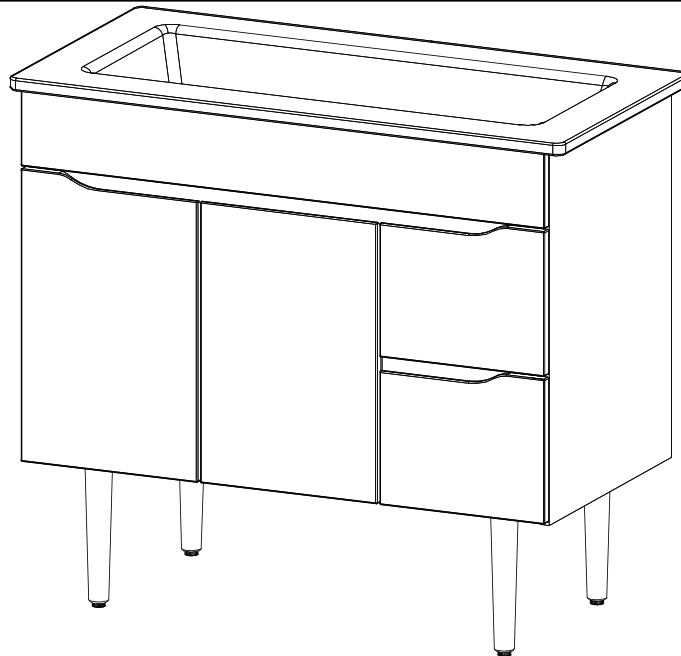


Thank you for purchasing the **MODWAY CABINET** !

Before you start, here are some helpful advice:

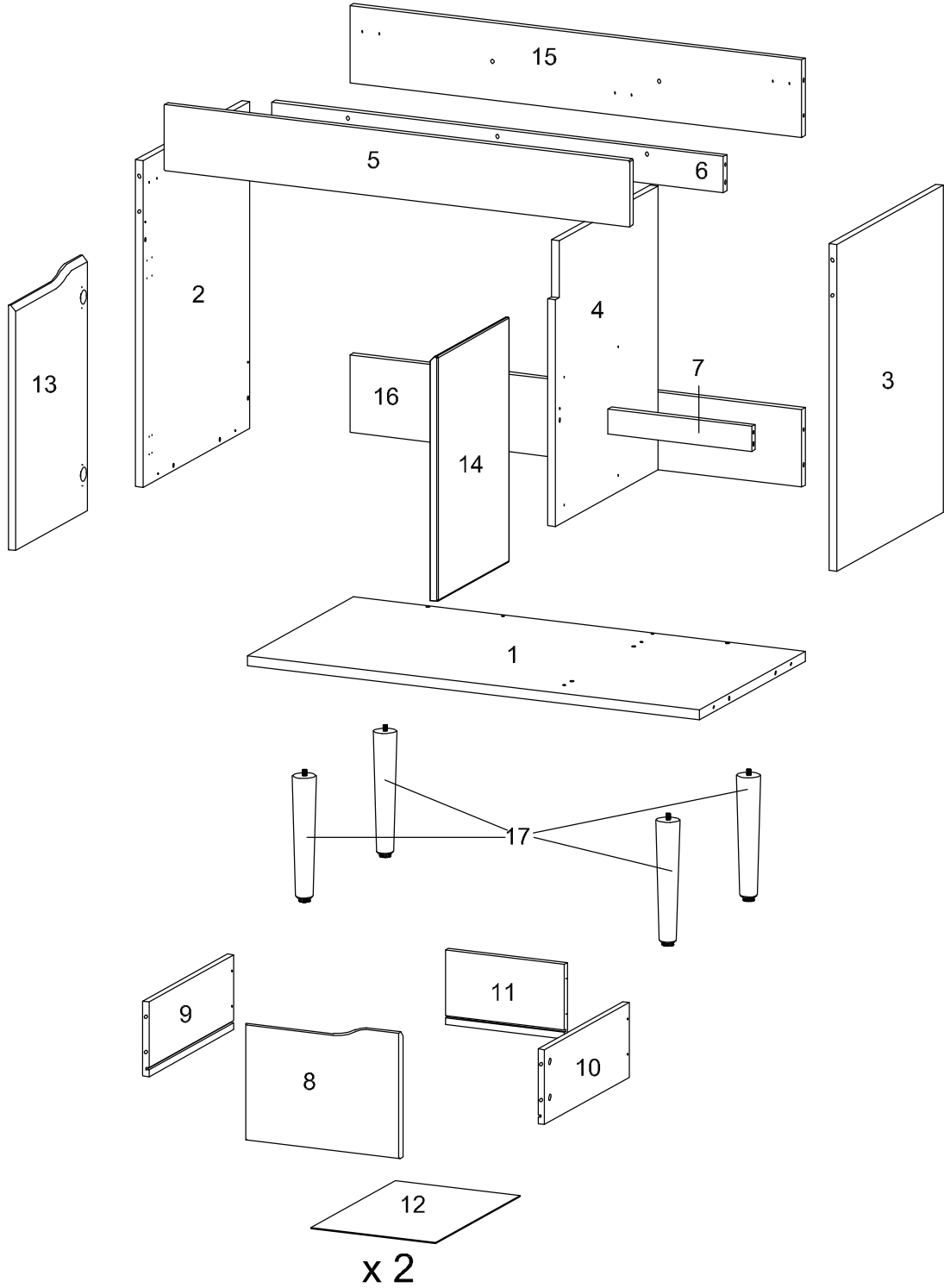
1. We suggest you spend a short time reading through this leaflet and then follow the simple step-by-step instructions.
2. Owing to the size and weight of the Cabinet, we recommend that it is assembled by two adults, on a carpeted or padded area, in the room that it is intended for. Approximate assembly time: 60 minutes.
3. Please do not use any tools other than those Provided or recommended in these instructions.
4. Please do not throw away any of the packaging or instructions until you have checked all the components and hardware and the furniture is fully assembled.
5. Assemble all components loosely until advised to tighten. Depending on use, it may be necessary to tighten the components from time to time, so please save the tools that have been Provided.
6. Please keep all pieces out of reach of children.



Hardware :

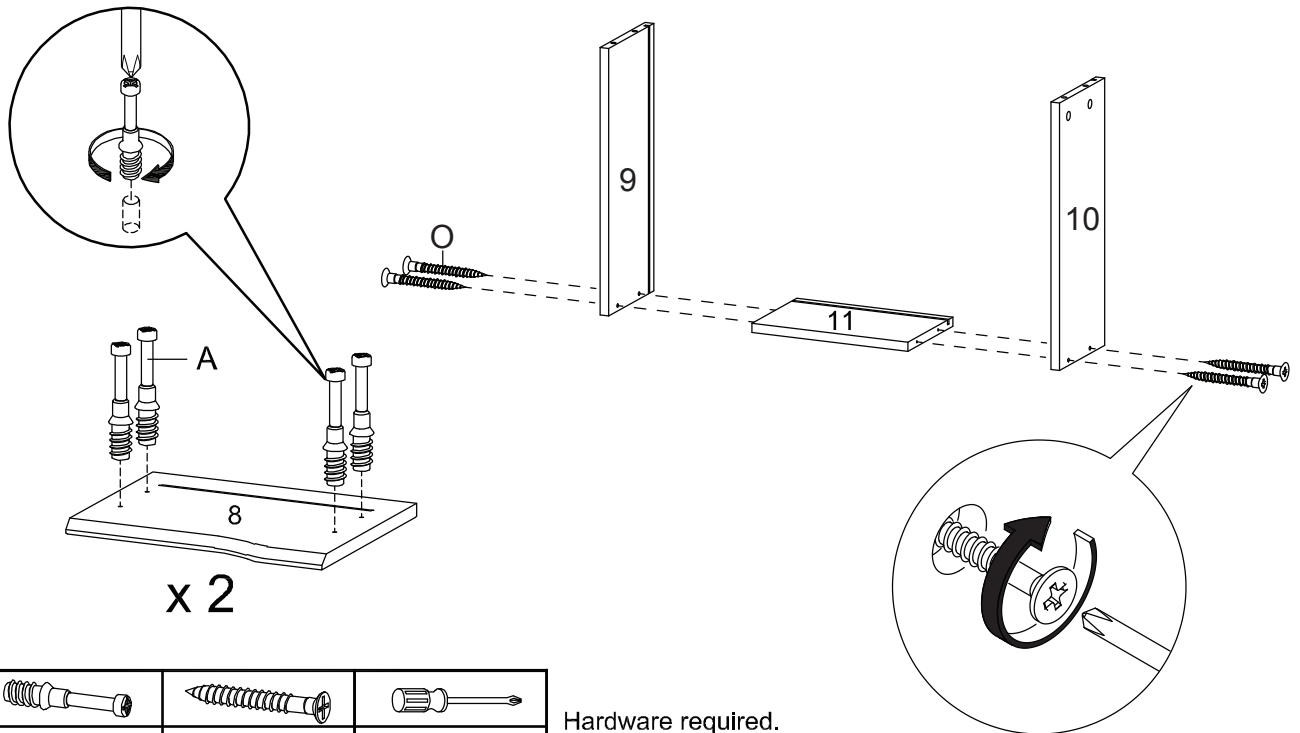
A) Cambolt/Metal $\varnothing 6 \times 35 \text{ mm}$ x 22	B) CamLock Big/Metal $\varnothing 15 \text{ mm}$ x 14	C) Dowel Big/Wood $\varnothing 8 \times 30 \text{ mm}$ x 22	D) Bracket/Metal $67 \times 67 \text{ mm}$ x 6	E) Screw/Metal $6.4 \times 25 \text{ mm}$ x 3
F) Hinges/Metal $95 \times 52 \times 21 \text{ mm}$ x 4	G) Screw/Metal $4.5 \times 12.5 \text{ mm}$ x 64	H) Buffer/Rubber $\varnothing 8 \text{ mm}$ x 2	I) Foam Pad/Sponge $25 \times 25 \times 2 \text{ mm}$ x 4	J) Plate/Metal x 4
K) Rail/Metal 350 mm x 2	L) Screw/Metal $M 6.5 \times 10.5 \text{ mm}$ x 8	M) CamLock Small/Metal $\varnothing 12 \text{ mm}$ x 8	N) Screw/Metal $M 3.5 \times 13 \text{ mm}$ x 12	O) Screw/Metal $M 8 \times 39 \text{ mm}$ x 8
P) Screw/Metal $M 7 \times 50 \text{ mm}$ x 5	Q) Key/Metal L4 x 1	R) x 1 Screwdriver (Not Include)		



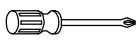
Components:



1	Bottom Board	x 1	2	Side Board Left	x 1	3	Side Board Right	x 1	4	Center Board	x 1
5	Front Skirt 1	x 1	6	Front Skirt 2	x 1	7	Front Skirt 3	x 1	8	Front Drawer	x 2
9	Side Drawer Left	x 2	10	Side Drawer Right	x 2	11	Back Drawer	x 2	12	Bottom Drawer	x 2
13	Wooden Door Left	x 1	14	Wooden Door Right	x 1	15	Back Skirt Upper	x 1	16	Back Skirt Lower	x 1
17	Leg	x 4									

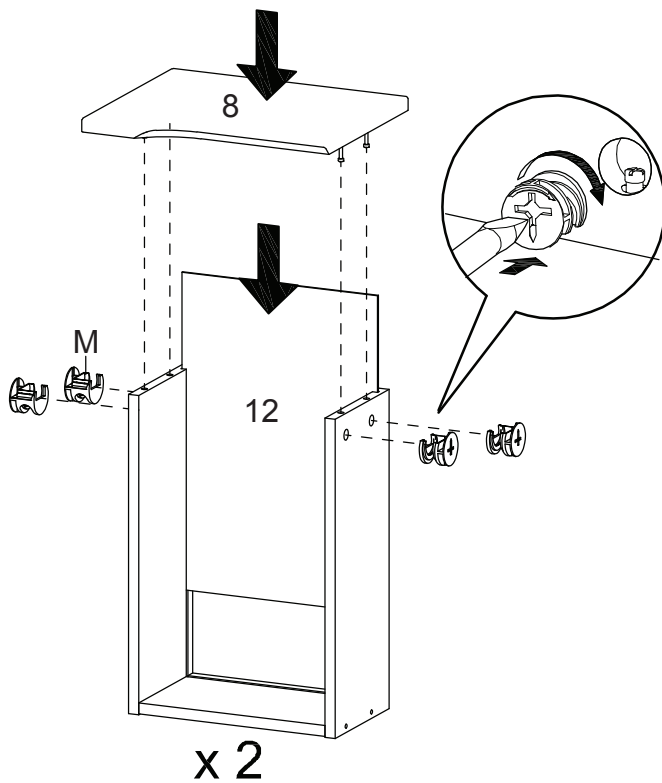
STEP 1:




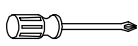


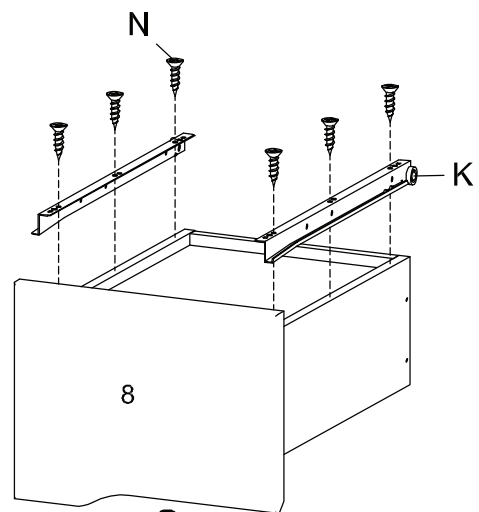
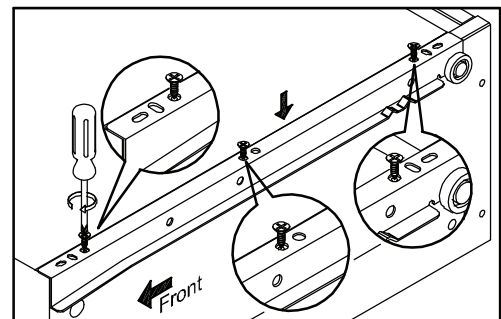
		
A x 8	O x 8	R x 1

Hardware required.
Screwdriver not included

STEP 2:

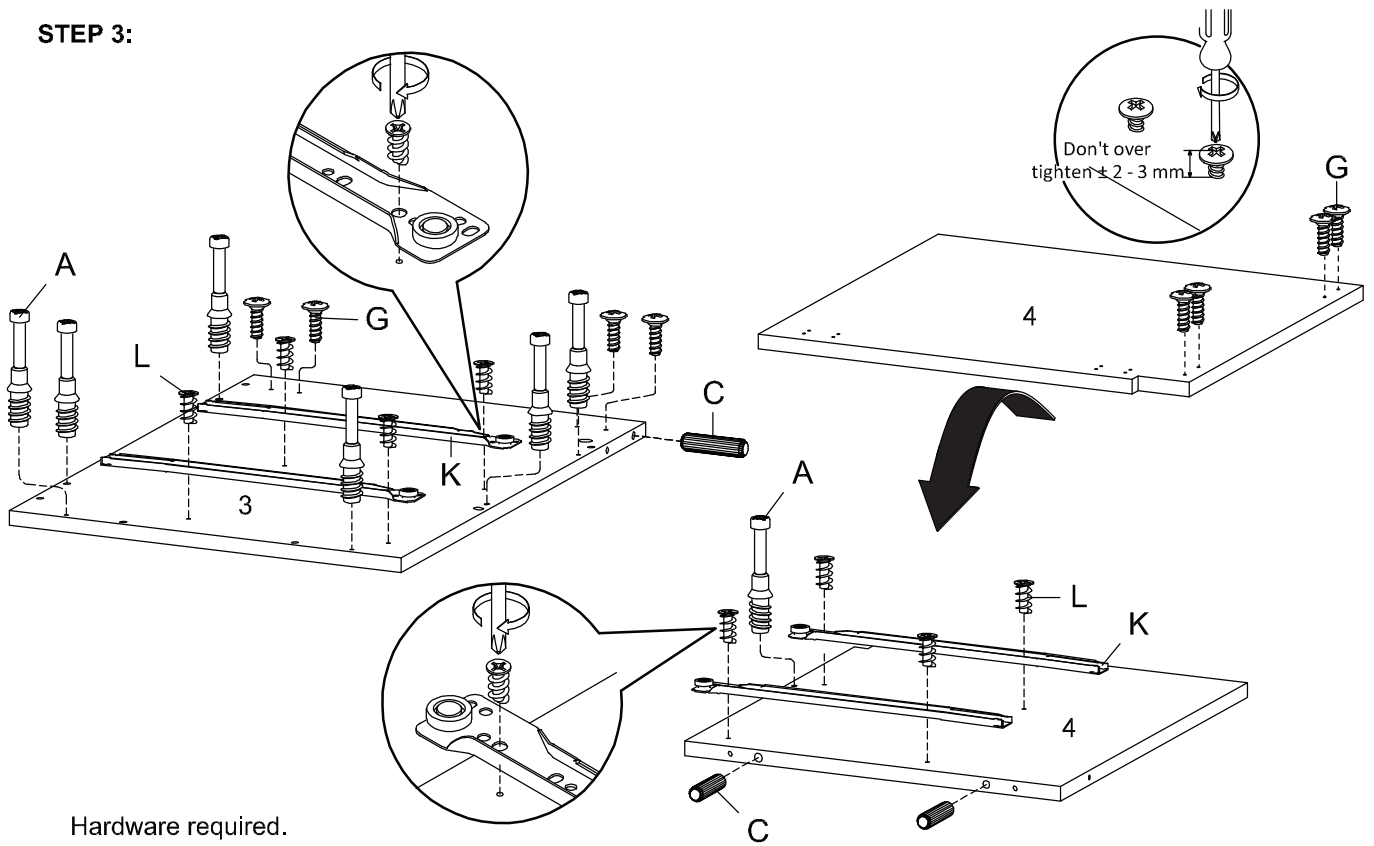


			
M x 8	N x 12	K x 2	R x 1



x 2
Hardware required.
Screwdriver not included

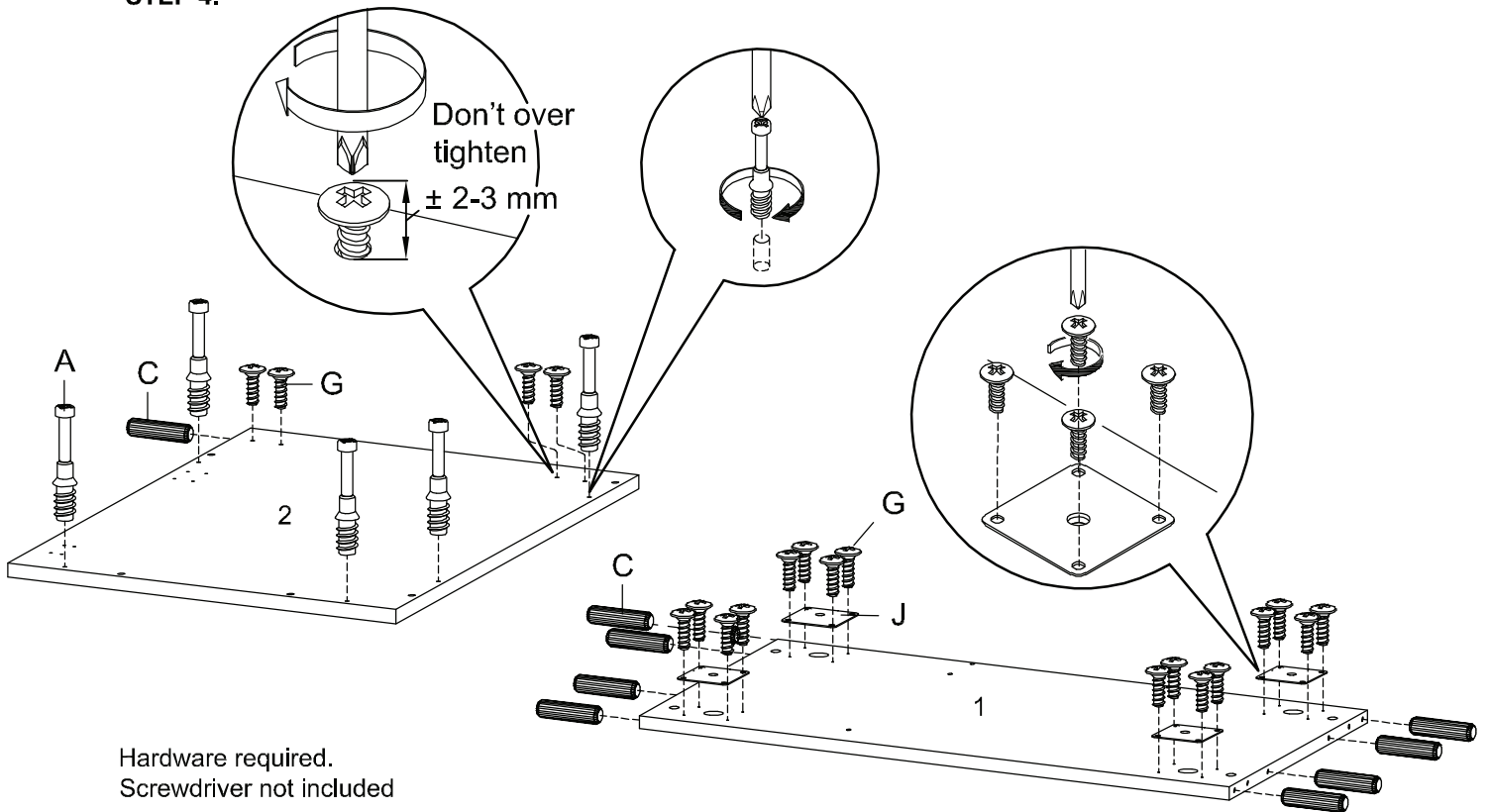
STEP 3:



Hardware required.
Screwdriver not included

A x 7	L x 8	G x 8	C x 3	R x 1

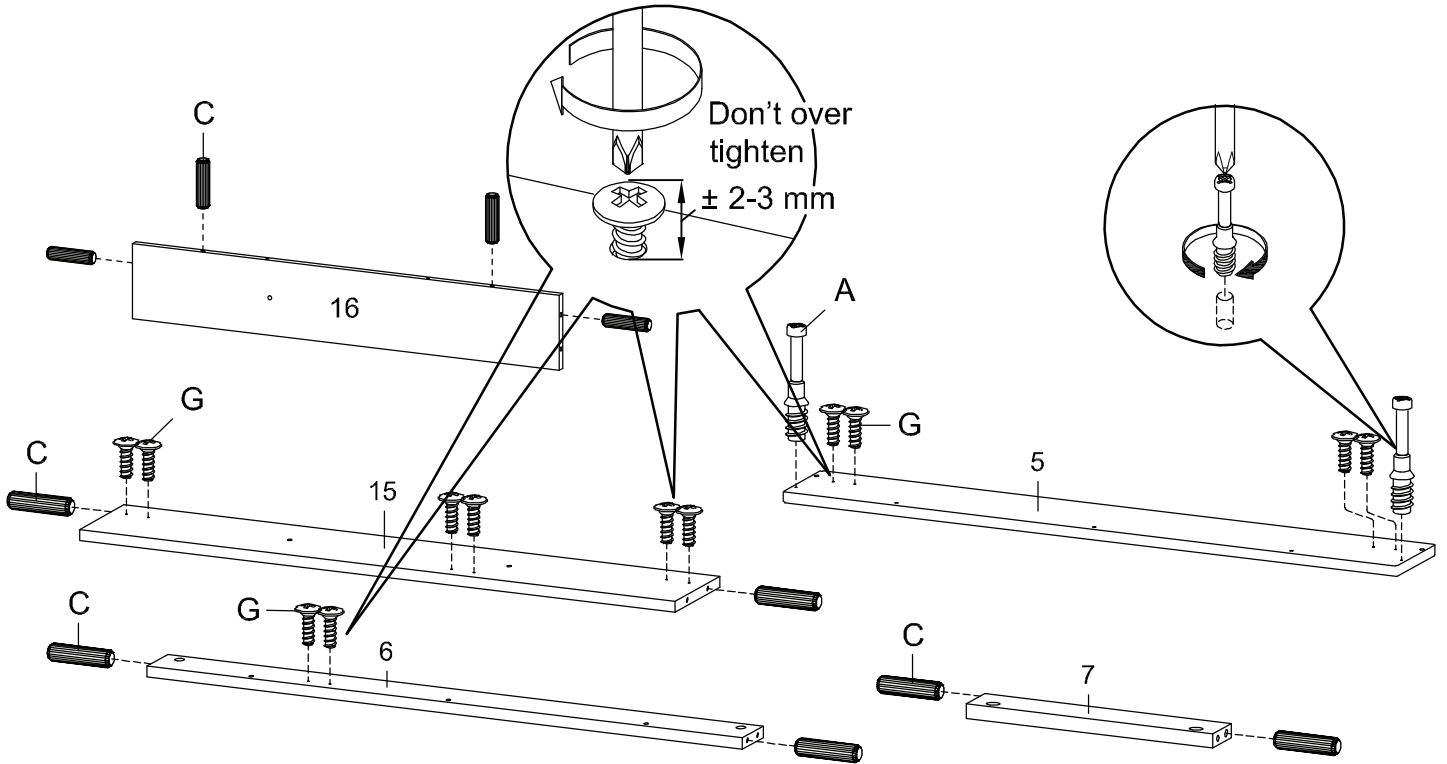
STEP 4:



Hardware required.
Screwdriver not included

A x 5	G x 20	C x 9	J x 4	R x 1

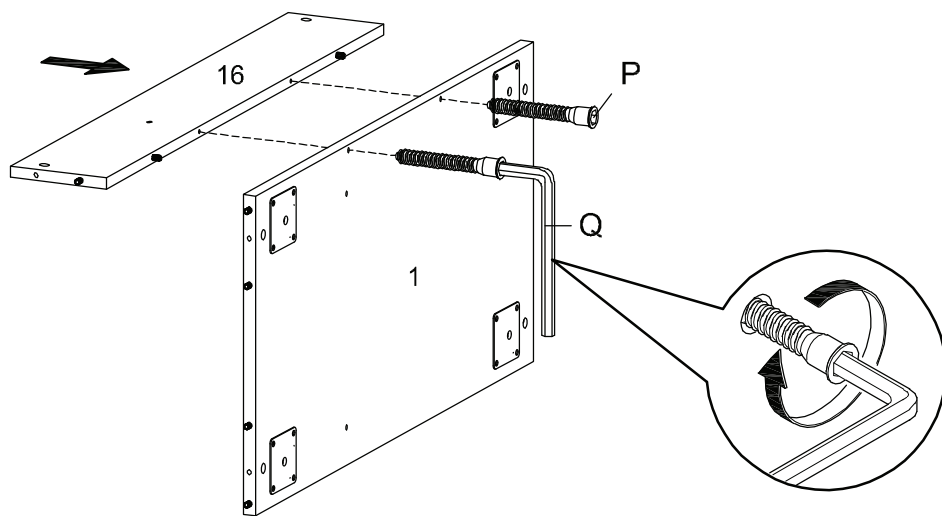
STEP 5:



A x 2	G x 12	C x 10	R x 1

Hardware required.
Screwdriver not included

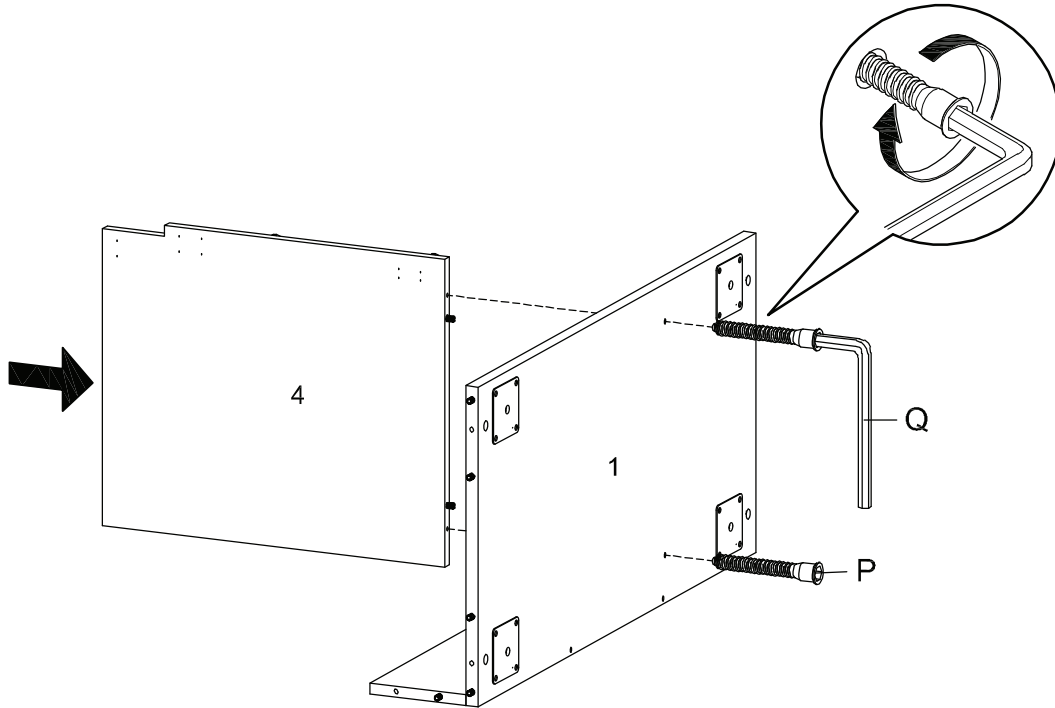
STEP 6:



P x 2	Q x 1

Hardware required.

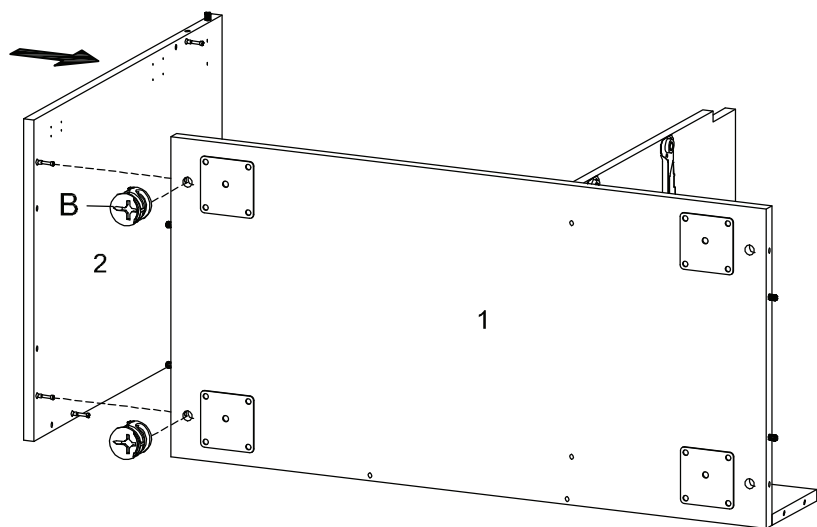
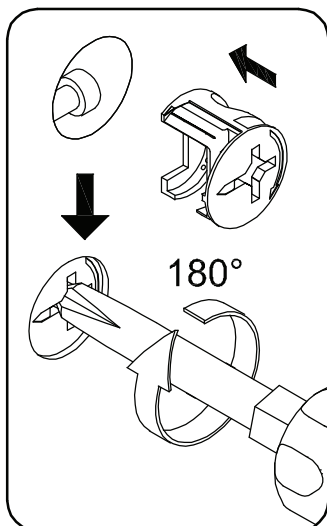
STEP 7:



P x 2	Q

Hardware required.

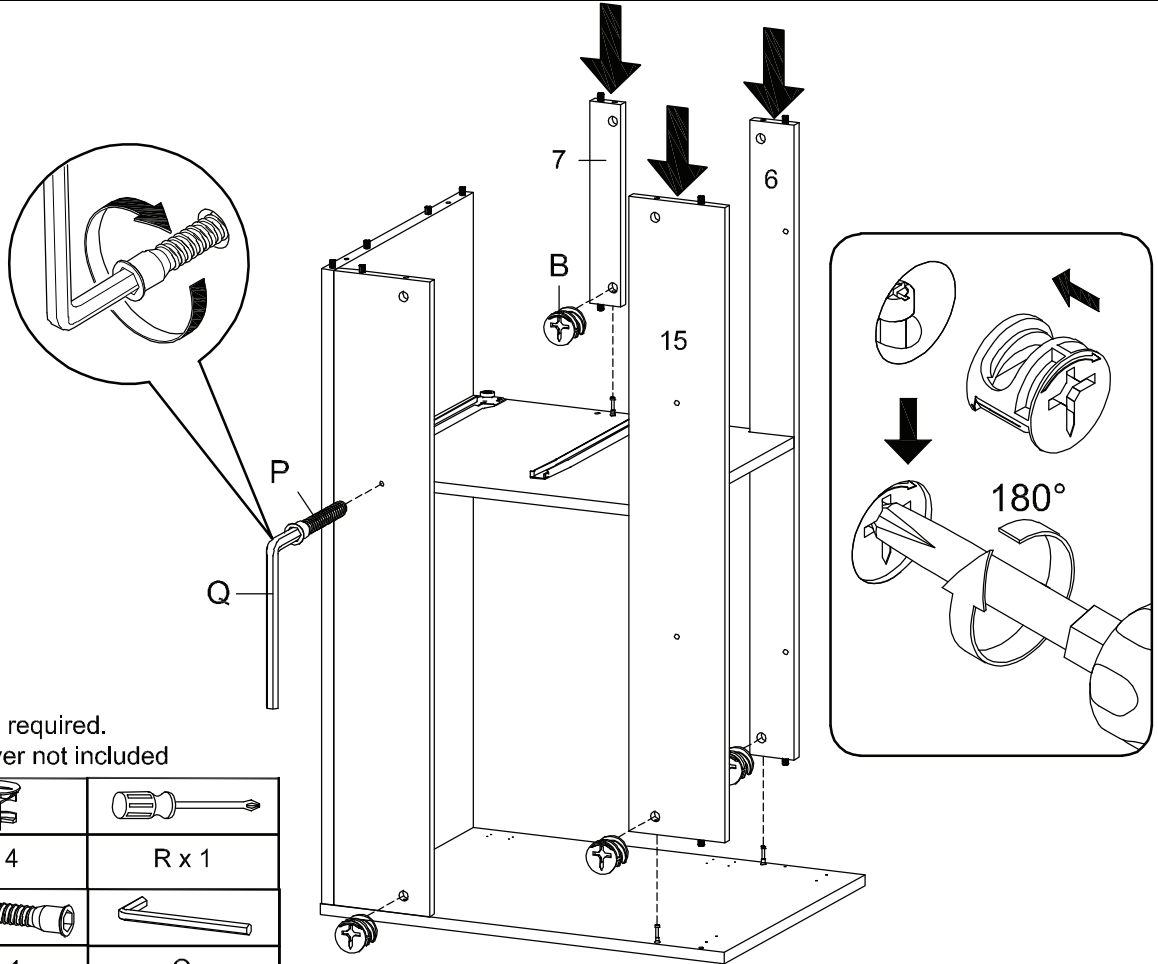
STEP 8:



B x 2	R x 1

Hardware required. Screwdriver not included

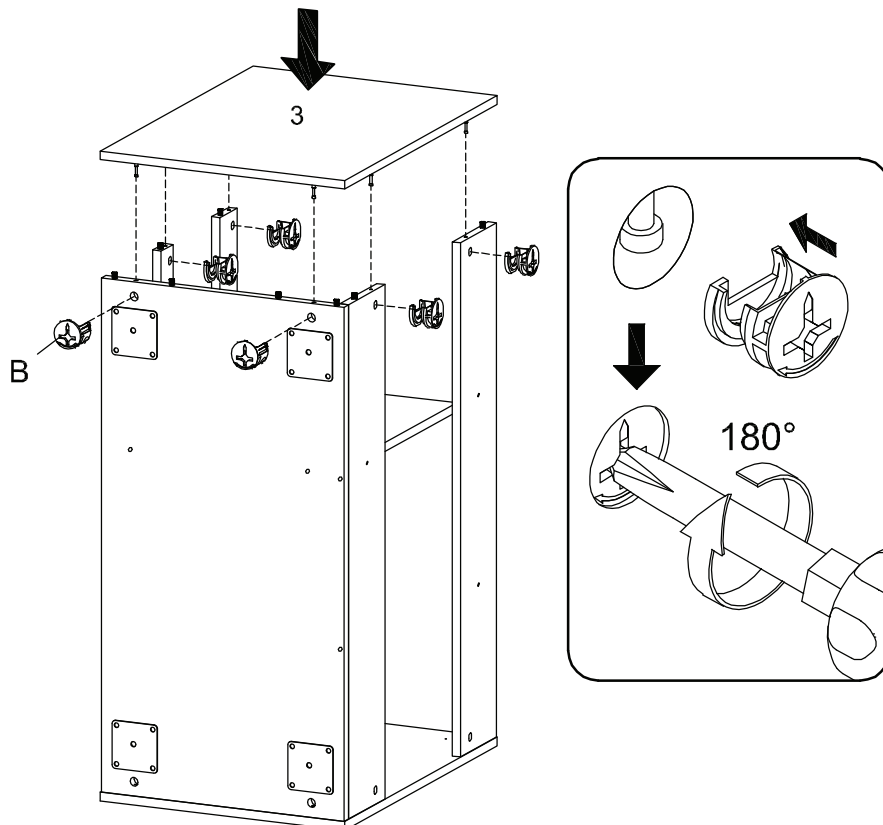
STEP 9:



Hardware required.
Screwdriver not included

B x 4	R x 1
P x 1	Q

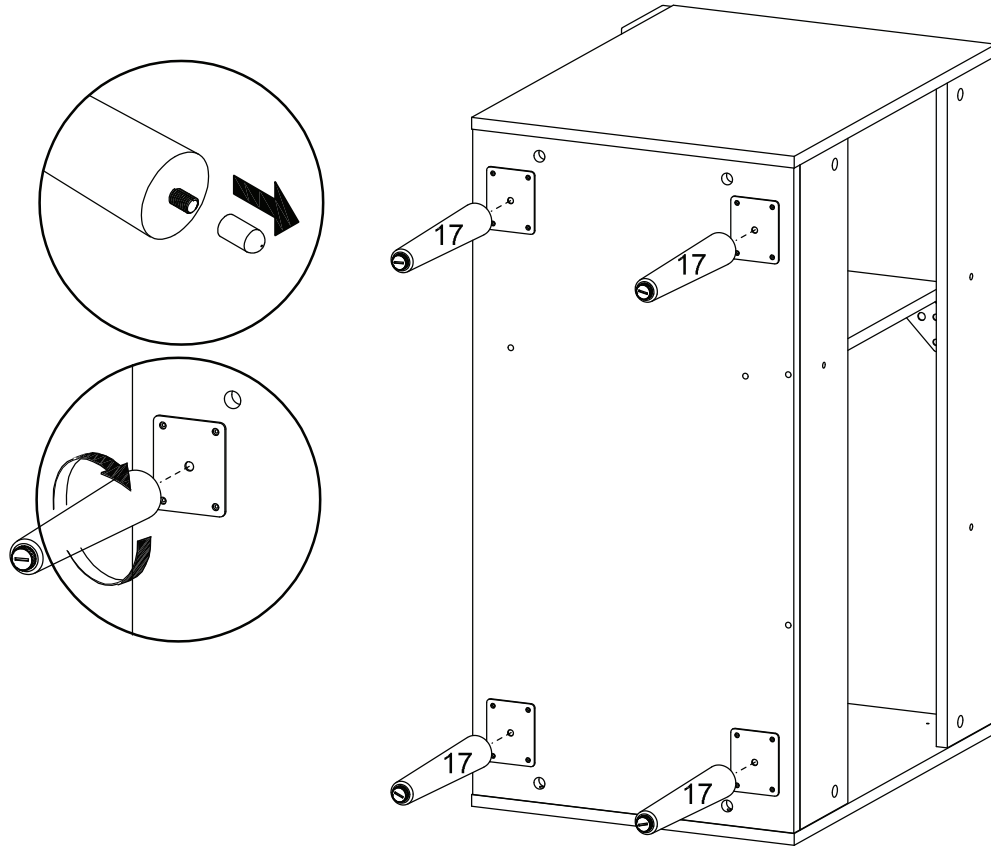
STEP 10:



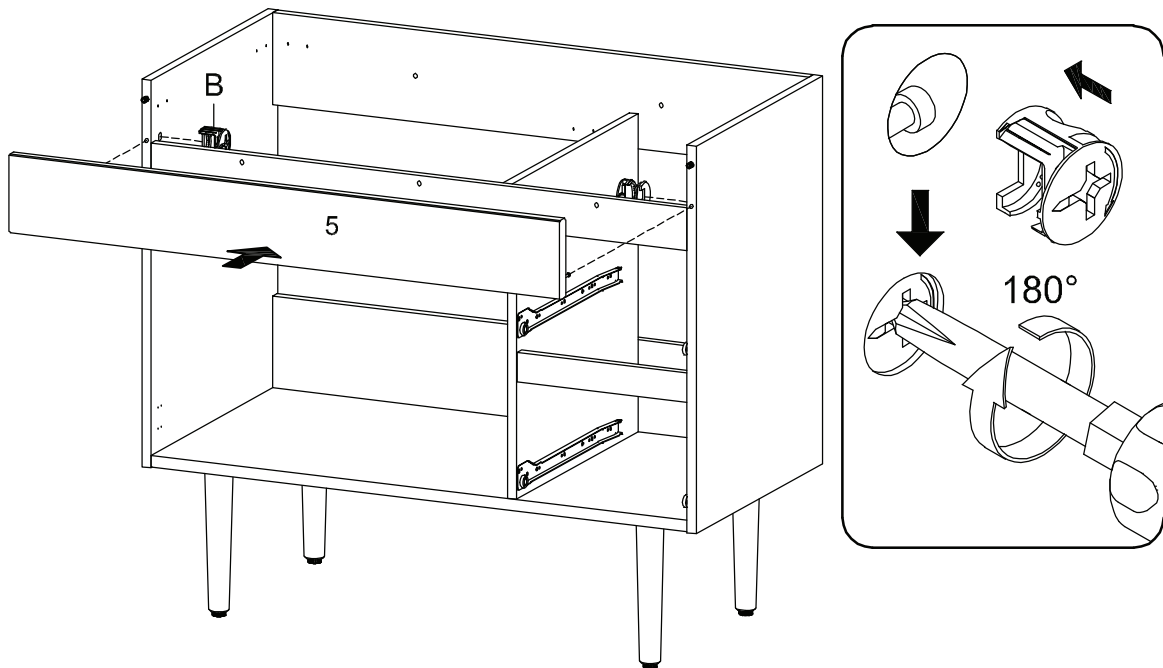
B x 6	R x 1


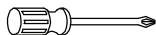
Hardware required. Screwdriver not included

STEP 11:



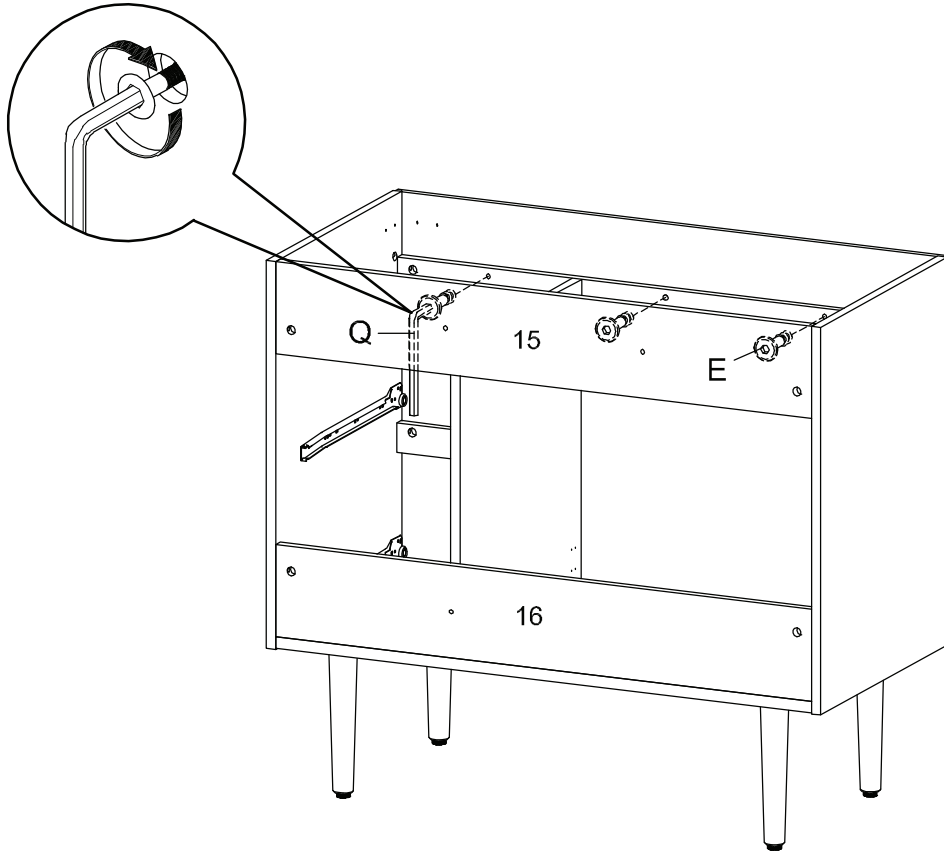
STEP 12:



	
B x 2	R x 1

Hardware required. Screwdriver not included

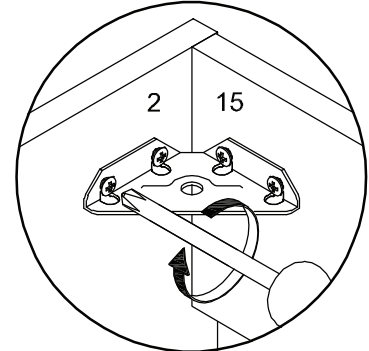
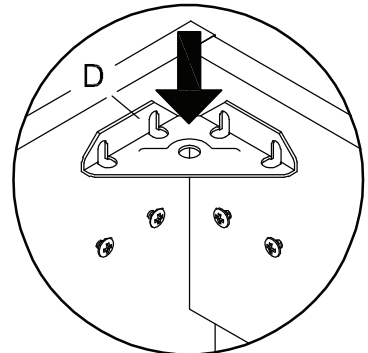
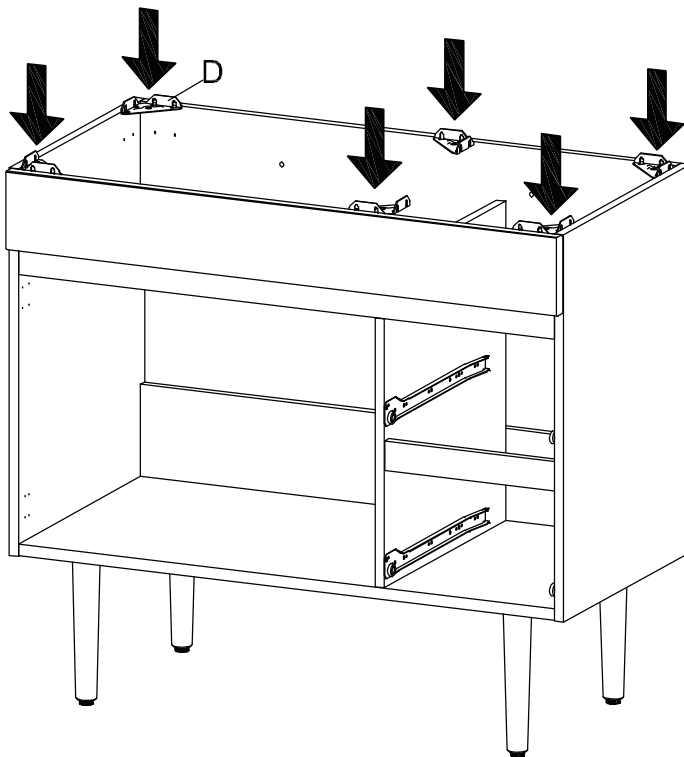
STEP 13:



E x 3	Q

Hardware required.

STEP 14:

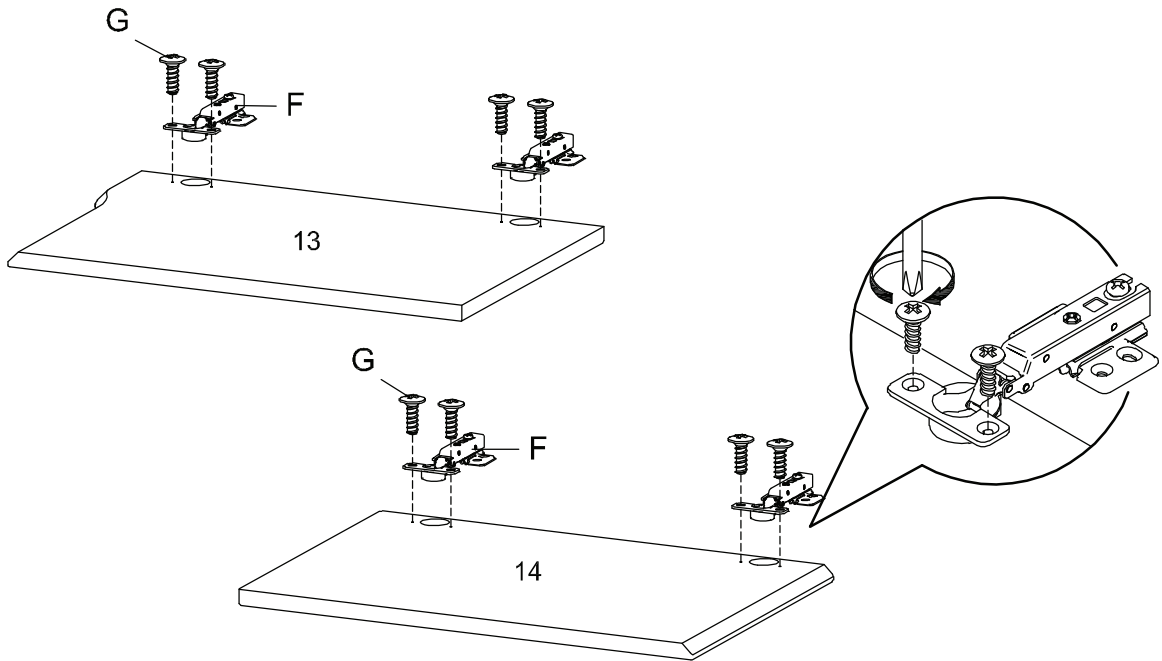


NOTE :
Tighten all the screw

D x 6	R x 1

Hardware required. Screwdriver not included

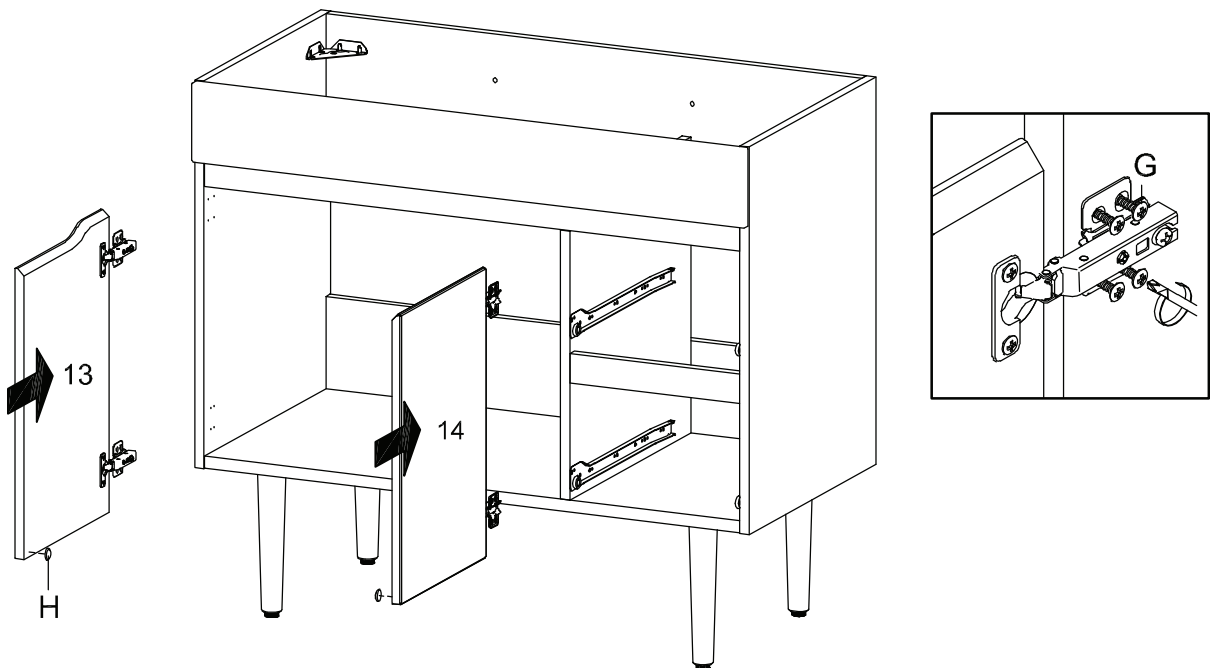
STEP 15:



F x 4	G x 8	R x 1

Hardware required. Screwdriver not included

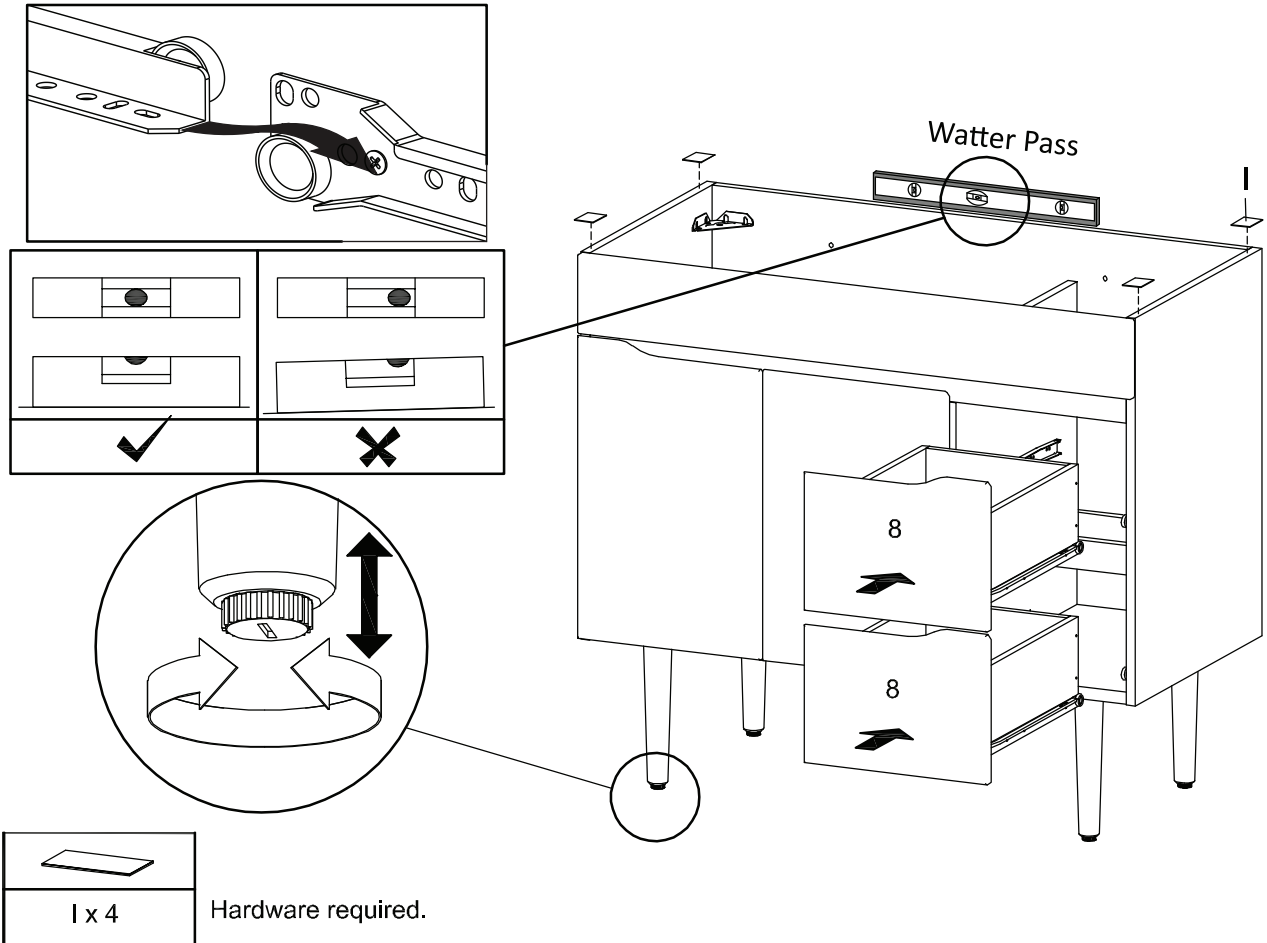
STEP 16:



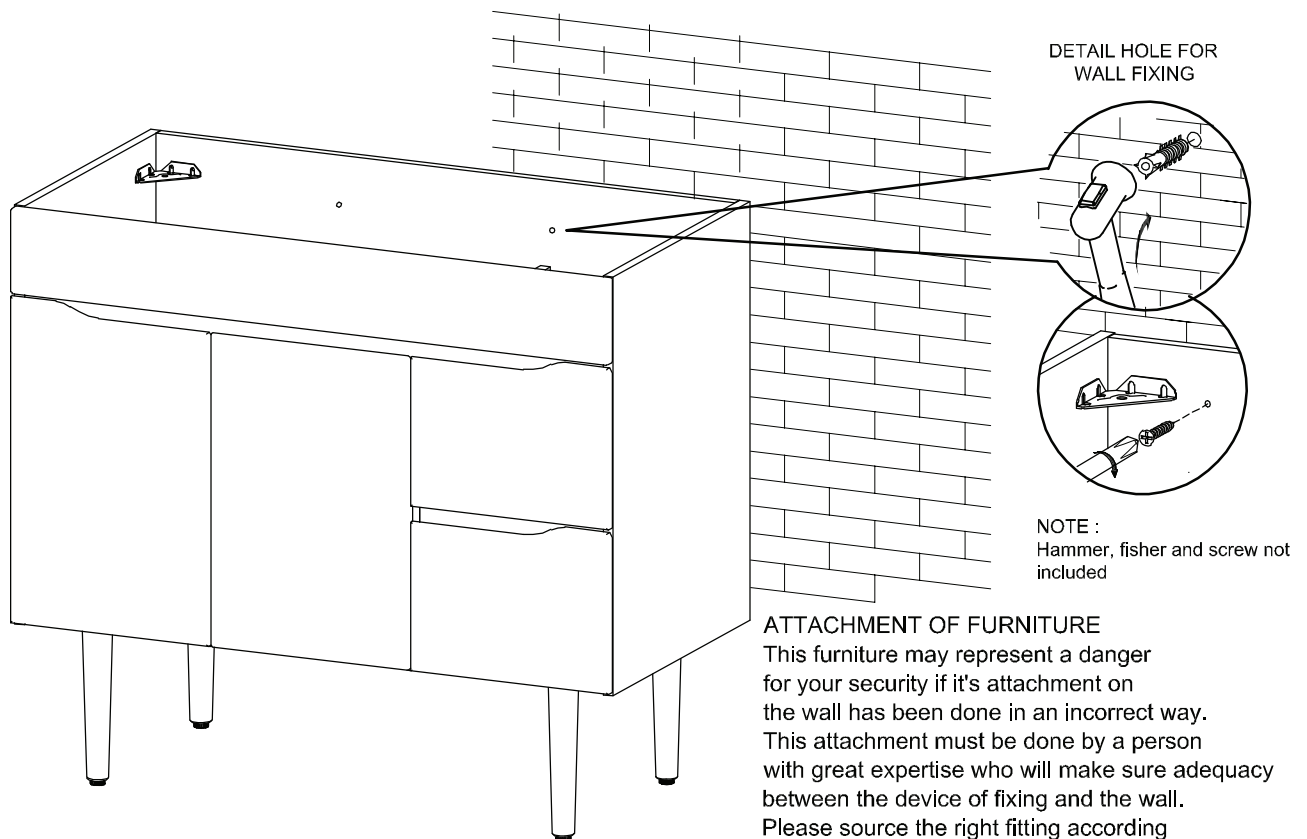
H x 2	G x 16	R x 1

Hardware required. Screwdriver not included

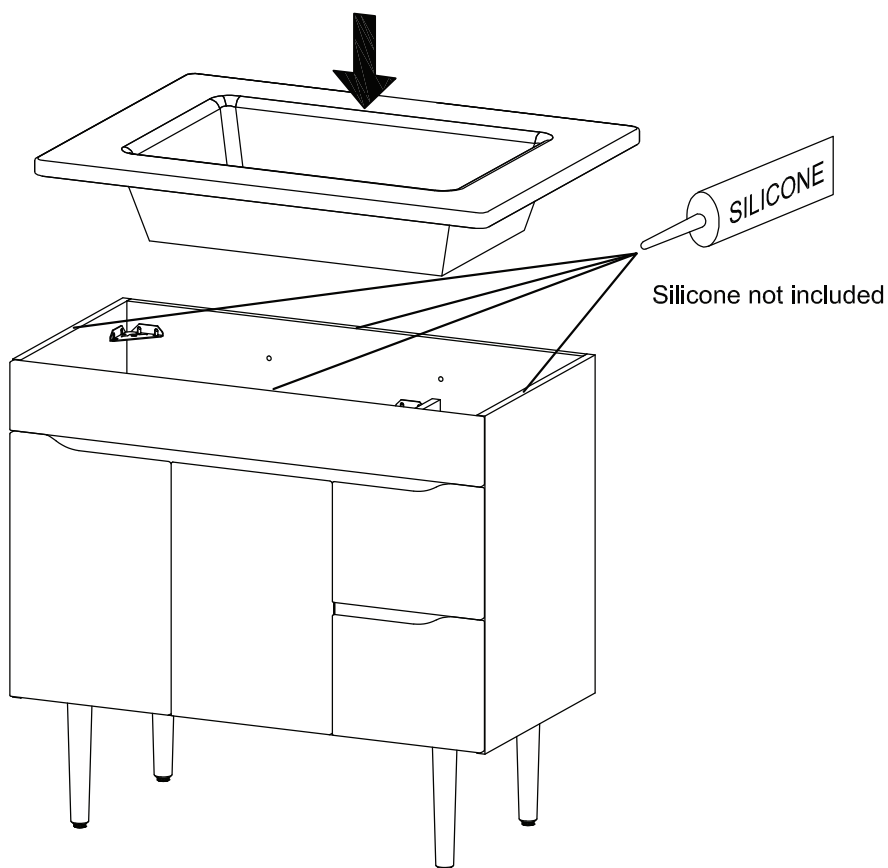
STEP 17:



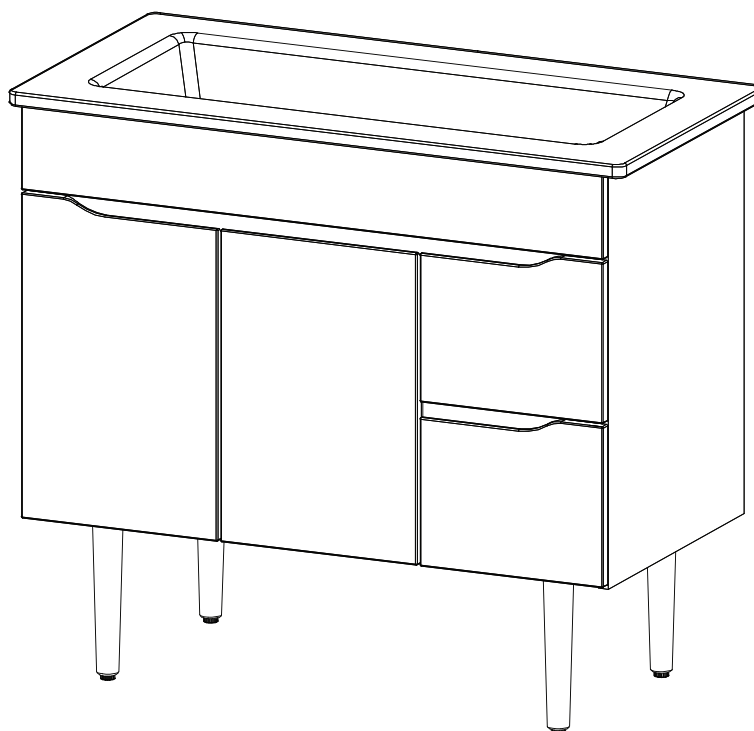
STEP 18:



STEP 19: Apply a thin bead of silicone compound around the vanity base and set the vanity top carefully in place. Remove any excess silicone compound with a wet rag



STEP 20:



Assembly is complete and ready for sink installation.

