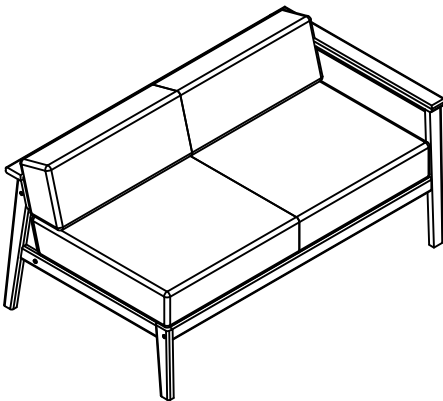


Thank you for purchasing the **MODWAY CHAIR!**

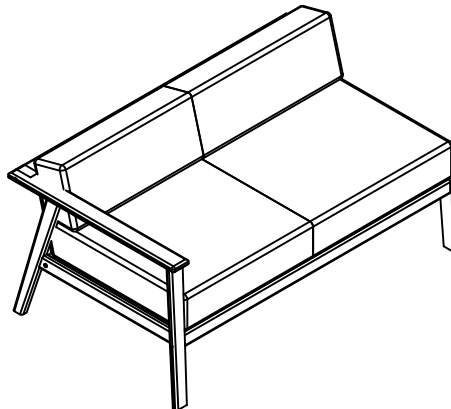
Before you start, here are some helpful advice:

1. We suggest you spend a short time reading through this leaflet and then follow the simple step by step instructions.
2. Owing to the size and weight of the chair, we recommend that it is assembled by two adults, on a carpeted or padded area, in the room that it is intended for. Approximate assembly time: 30 minutes.
3. Please do not use any tools other than those provided or recommended in these instructions.
4. Please do not throw away any of the packaging or instructions until you have checked all the components and hardware and the furniture is fully assembled.
5. Assemble all components loosely until advised to tighten. Depending on use, it may be necessary to tighten the components from time to time, so please save the tools that have been provided.
6. Please keep all pieces out of reach of children.

## EEI-3678



## EEI-3679

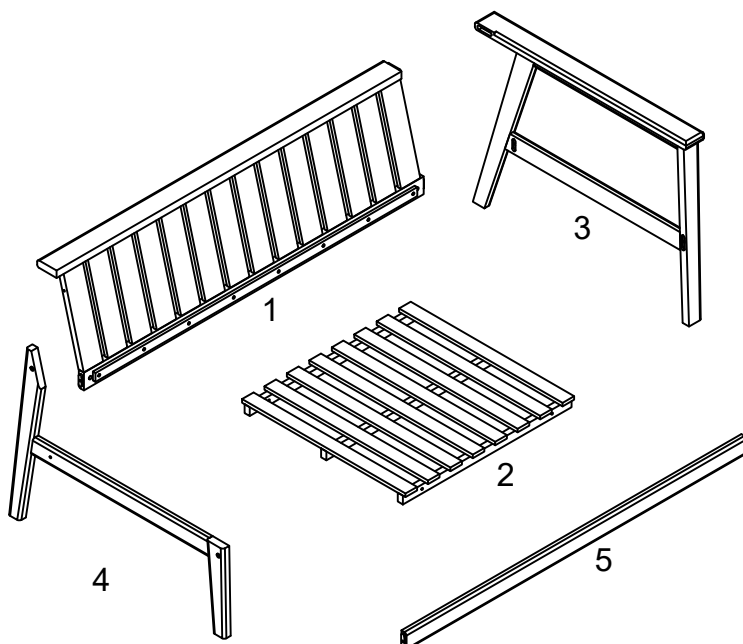


The assembly steps are the same as EEI-3678

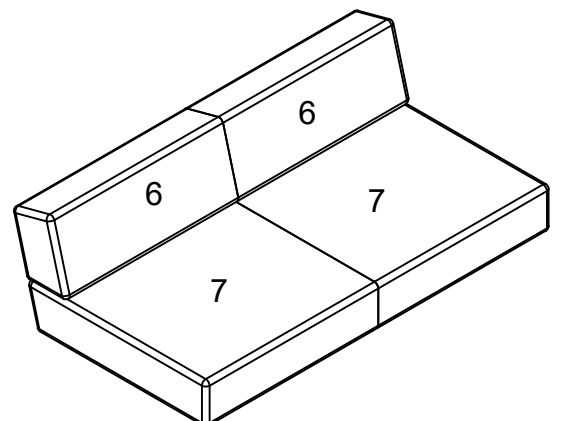
## Hardware:

- A Bolt M6x110mm x 1
- B Bolt M6x90mm x 1
- C Bolt M6x70mm x 3
- D Nut M6 x 5
- E Screw M6x60mm x 1
- F Screw M6x40mm x 8
- G Allen Wrench M4 x 2

## Component:



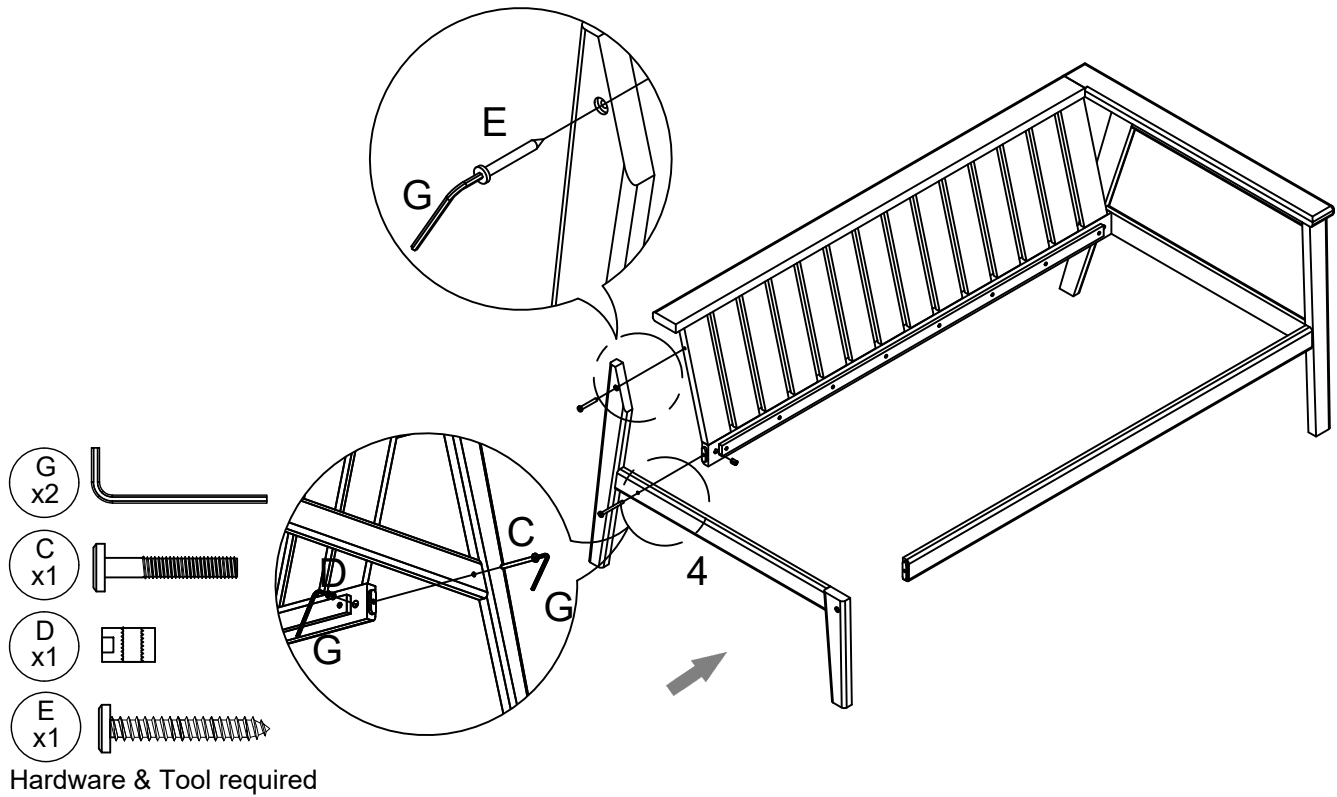
- 1. Back x1
- 2. Seat x2
- 3. Leg Frame 1 x1
- 4. Leg Frame 2 x1
- 5. Brace Rail x1
- 6. Back Cushion x2
- 7. Seat Cushion x2





### STEP 3:

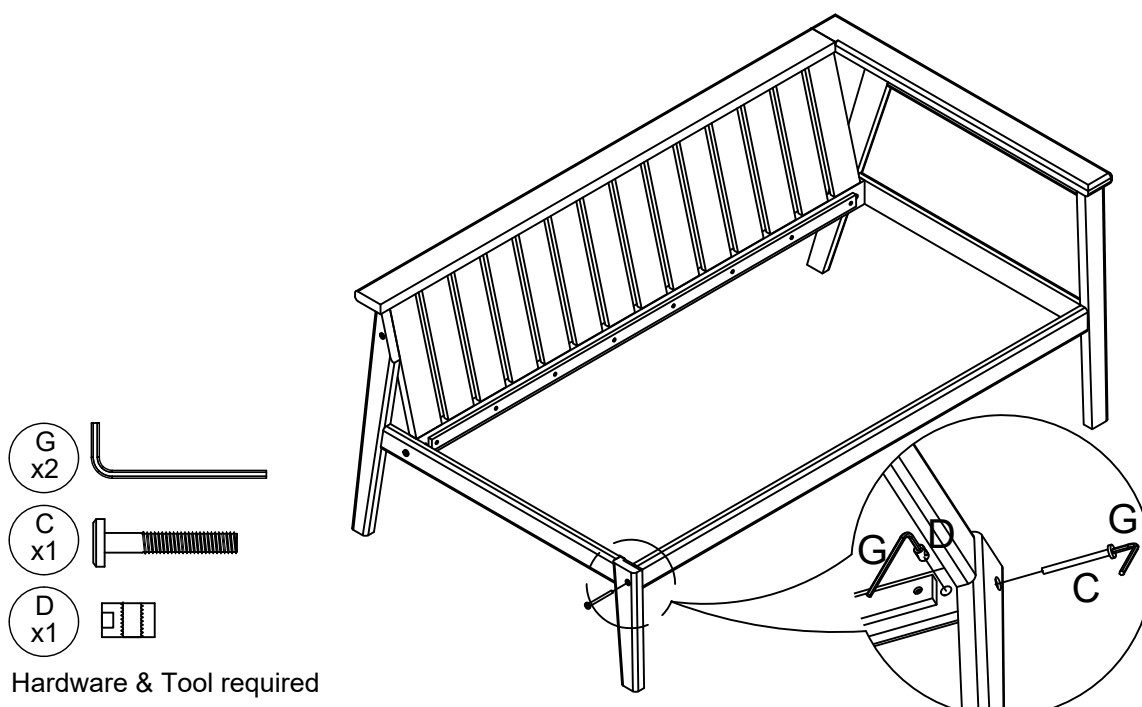
Attach **Leg Frame 2 (4)** to **Back (1)**, **Brace Rail (5)** and **Leg Frame 1 (3)** as shown. Insert 1 piece of **Nut (D)** into **Back (1)**, then insert 1 piece of **Bolt (C)** and 1 piece of **Screw (E)** through **Leg Frame 2 (4)** into **Back (1)**. Tighten with 2 pieces of **Allen Wrench (G)**.



Hardware & Tool required

### STEP 4:

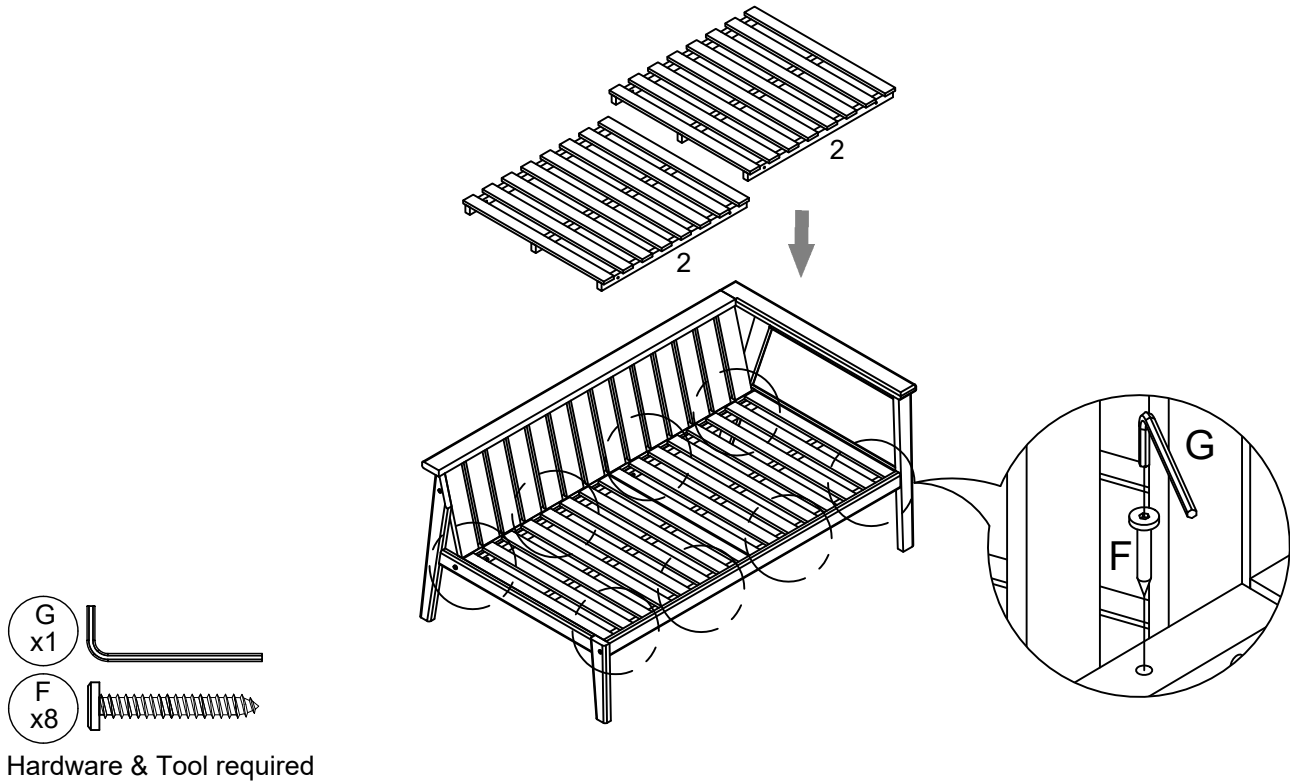
Insert 1 piece of **Nut (D)** into **Brace Rail (5)**, then insert 1 piece of **Bolt (C)** through **Leg Frame 2 (4)** into **Brace Rail (5)**. Tighten with 2 pieces of **Allen Wrench (G)**.



Hardware & Tool required

## STEP 5:

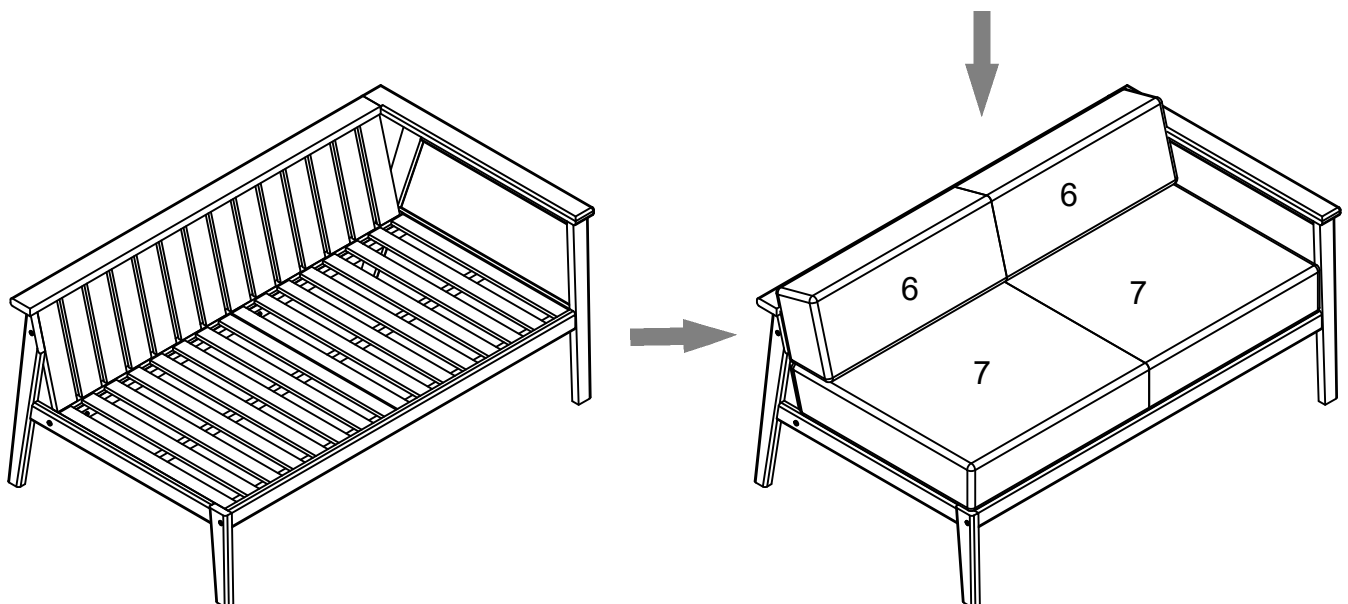
Attach 2 pieces of **Seat (2)** to the assembled **Back (1)**, **Brace Rail (5)** and **Leg Frame (3&4)** as shown. Then insert 8 pieces of **Screws (F)** through **Seat (2)** into **Back (1)**, **Brace Rail (5)**. Tighten with **Allen Wrench (G)**.



## STEP 6:

Carefully position the assembled chair to the desired location.

Put 2 pieces of the **Back Cushions (6)** and 2 pieces of the **Seat Cushions (7)** into the assembled chair as shown.



Assembly is complete. Your chair is ready to be used now!