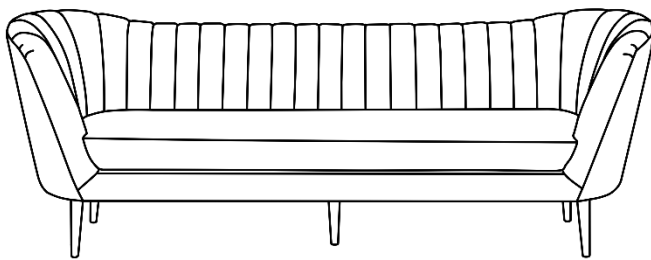






Thank you for purchasing the **MODWAY SOFA**.

Before you start, here are some helpful advice:

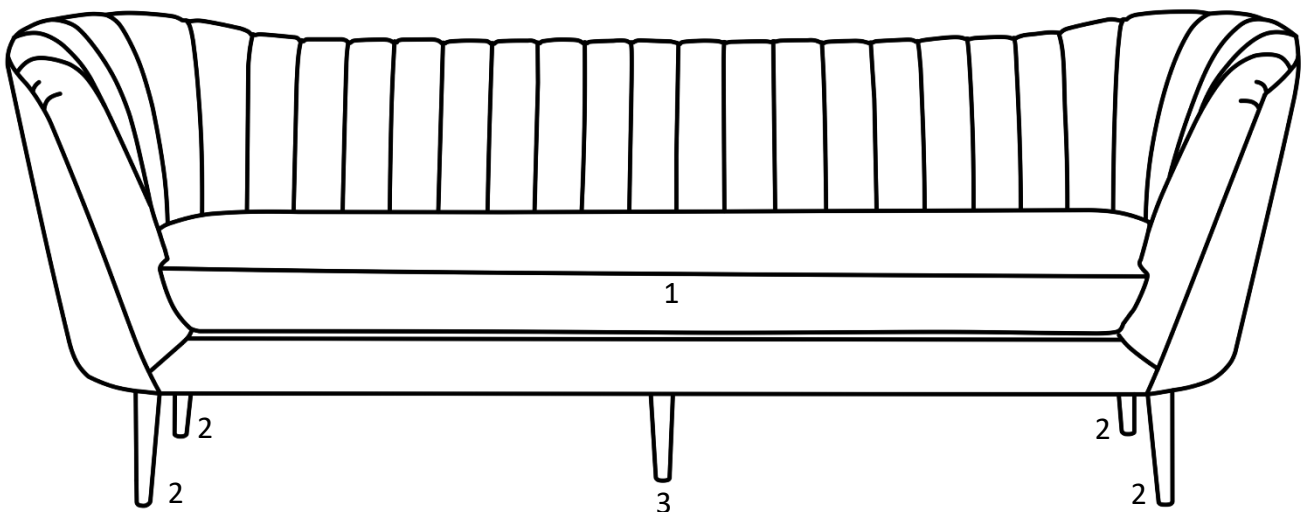
1. We suggest you spend a short time reading through this leaflet and then follow the simple step-by-step instructions.
2. Owing to the size and weight of the sofa, we recommend that it is assembled by two adults, on a carpeted or padded area, in the room that it is intended for. Approximate assembly time: 30 minutes.
3. Please do not use any tools other than those provided or recommended in these instructions.
4. Please do not throw away any of the packaging or the instruction until you have checked all the components and hardware and the furniture is fully assembled. Please ensure that the packaging is disposed of in a safe and environmentally friendly way.
5. Assemble all components loosely until advised to tighten. Depending on use, it may be necessary to tighten the components from time to time, so please save the tools that have been provided.
6. Please keep all pieces out of reach of children.



### Hardware:

- |    |   |                  |     |
|----|---|------------------|-----|
| A. |     | Bolt M8x30mm     | x15 |
| B. |   | Spring Washer M8 | x15 |
| C. |  | Flat Washer M8   | x15 |
| D. |  | Allen Wrench     | x1  |

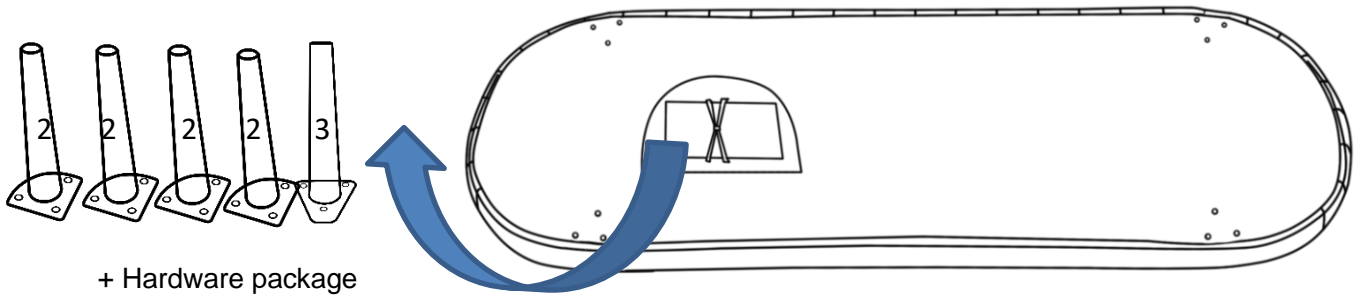
### Components:



- |              |    |        |    |               |    |
|--------------|----|--------|----|---------------|----|
| 1. Sofa Body | x1 | 2. Leg | x4 | 3. Center Leg | x1 |
|--------------|----|--------|----|---------------|----|

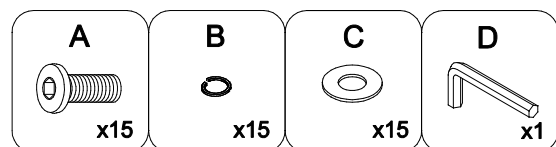
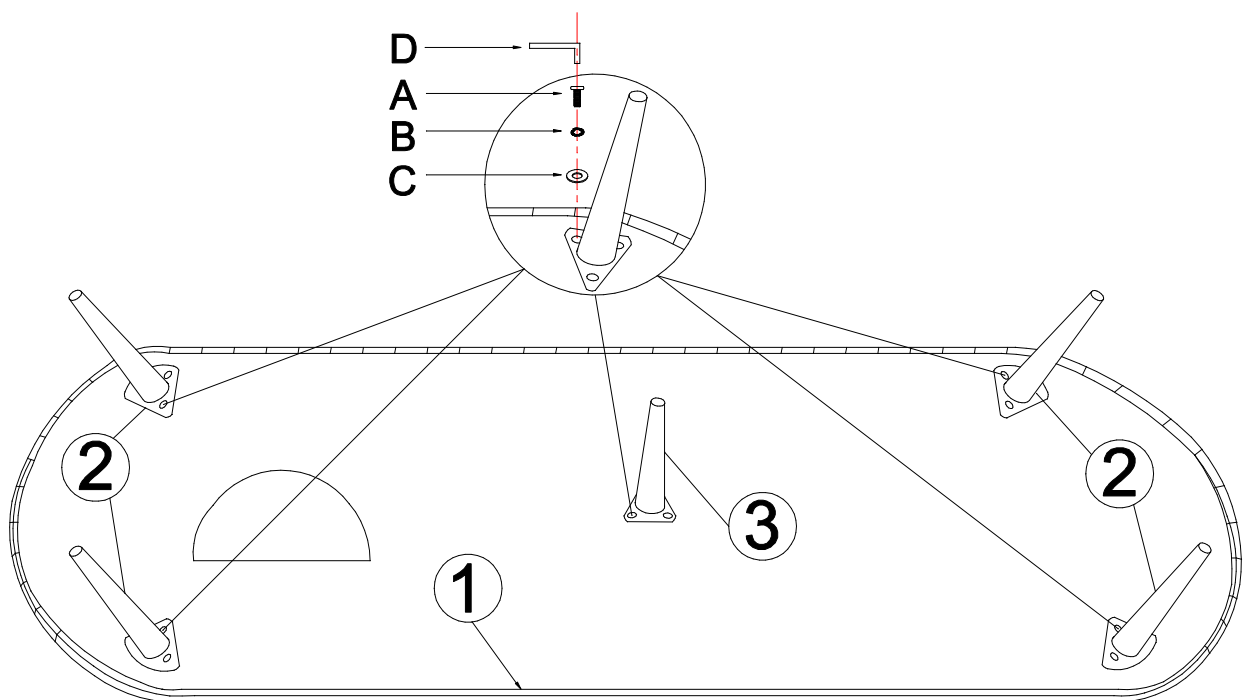
**STEP 1:**

1. Please put **Sofa Body (1)** upside down on a carpeted or padded surface.
2. Open the zipper on the bottom of the **Sofa Body (1)** and take out the 4 pieces of **Legs (2)** and 1 piece of **Center Leg (3)** and hardware package.



**STEP 2:**

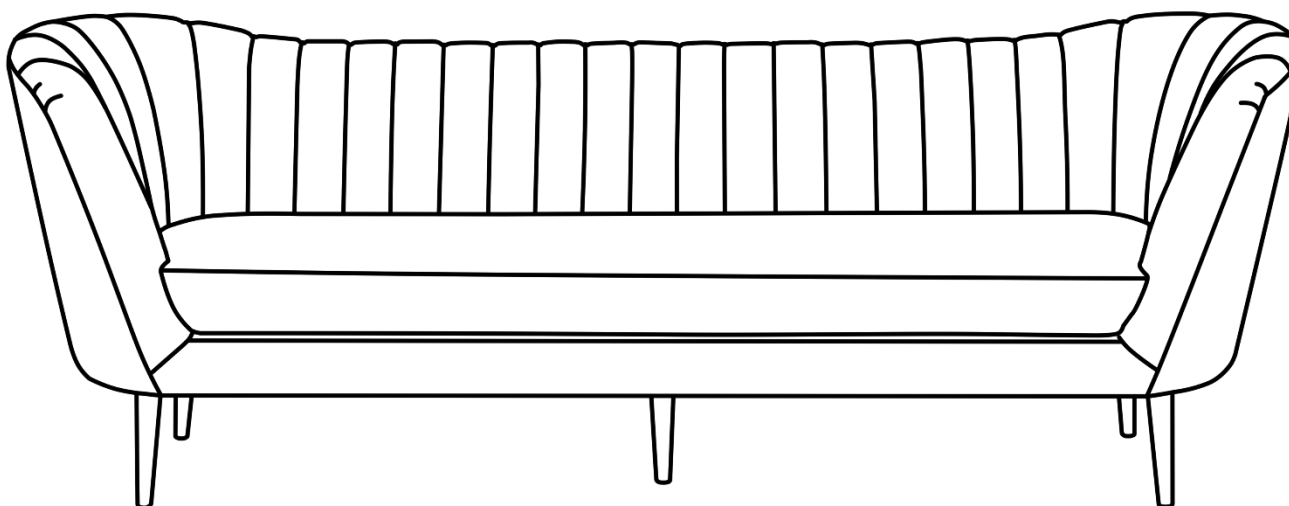
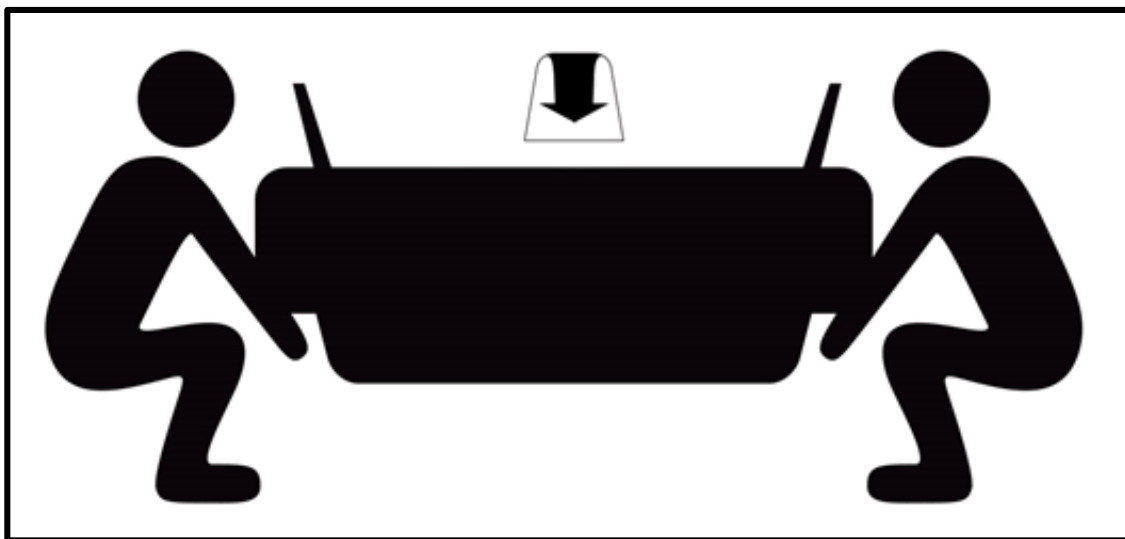
1. Attach 4 pieces of **Legs (2)** to the corners of **Sofa Body (1)** by using 12 pieces of **Bolts (A)** with 12 pieces of **Spring Washers (B)** and 12 pieces of **Flat Washers (C)** as shown.
2. Attach 1 piece of **Center Leg (3)** to the middle of **Sofa Body (1)** by using 3 pieces of **Bolts (A)** with 3 pieces of **Spring Washers (B)** and 3 pieces of **Flat Washers (C)** as shown.
3. Use **Allen Wrench (D)** to tighten all **Bolts (A)** clockwise as shown.



**Hardware & Tools Required**

## STEP 3:

1. Close the zipper on the bottom of the **Sofa Body (1)**.
2. Carefully turn over the assembled Sofa by two adults as shown.



Assembly is complete. Your Sofa is ready to enjoy now!