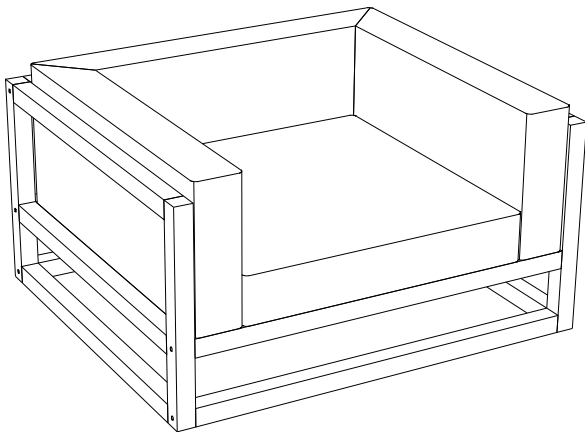



Thank you for purchasing the **MODWAY ARMCHAIR**.

Before you start, here are some helpful advice:

1. We suggest you spend a short time reading through this leaflet and then follow the simple step by step instructions.
2. Owing to the size and weight of the armchair, we recommend that it is assembled by two adults, on a carpeted or padded area, in the room that it is intended for. Approximate assembly time: 30 minutes.
3. Please do not use any tools other than those provided or recommended in these instructions.
4. Please do not throw away any of the packaging or instructions until you have checked all the components and hardware and the furniture is fully assembled.
5. Assemble all components loosely until advised to tighten. Depending on use, it may be necessary to tighten the components from time to time, so please save the tools that have been provided.
6. Please keep all pieces out of reach of small children.

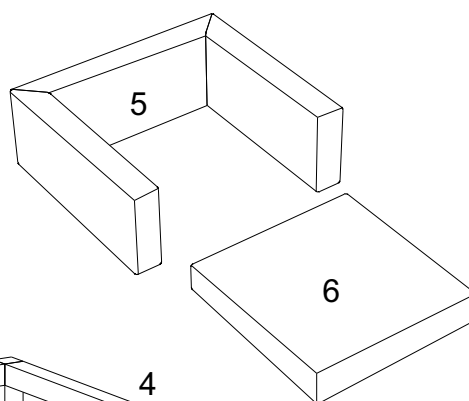


### Hardware:

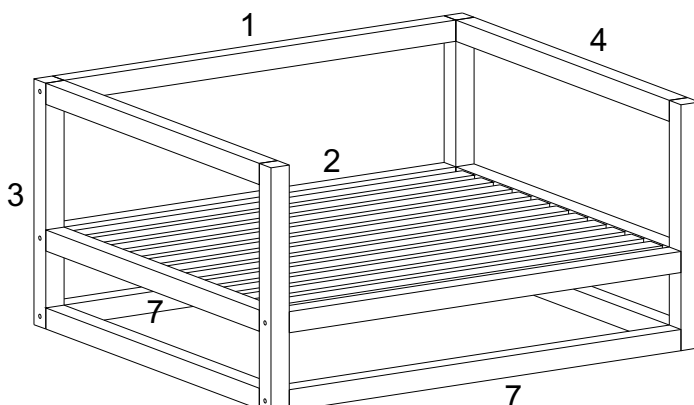
A  Bolt M6x50mm x 10

B  Allen Wrench M5 x 1

### Component:

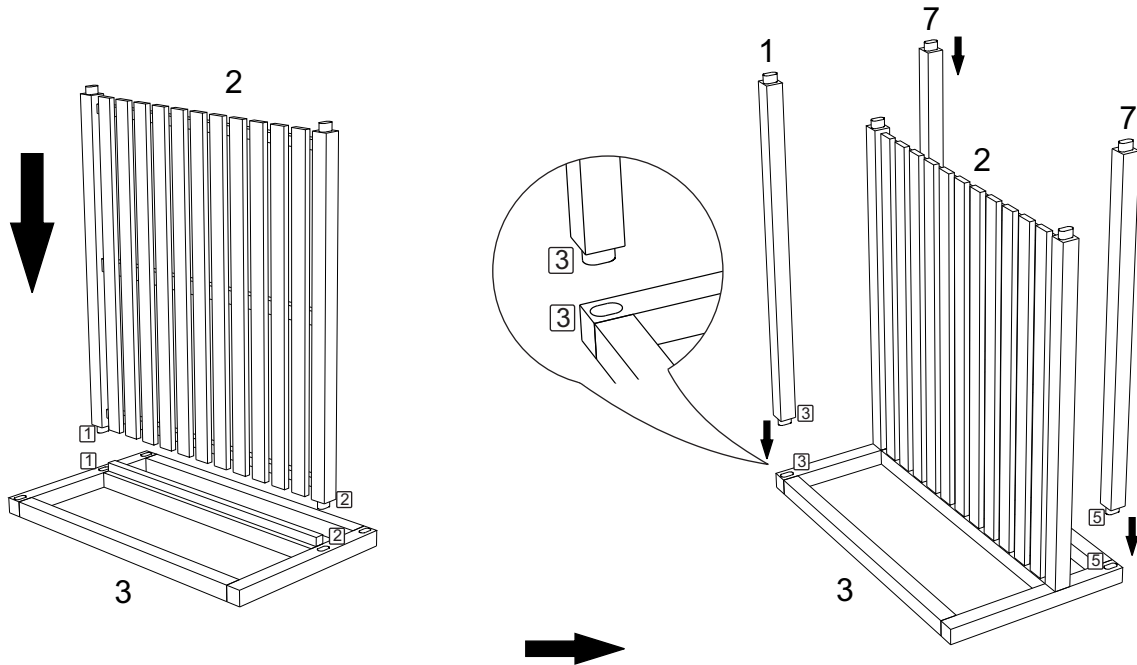


- |                   |    |
|-------------------|----|
| 1. Chair Back     | x1 |
| 2. Chair Seat     | x1 |
| 3. Left Frame     | x1 |
| 4. Right Frame    | x1 |
| 5. Back Cushion   | x1 |
| 6. Seat Cushion   | x1 |
| 7. Support Wooden | x2 |



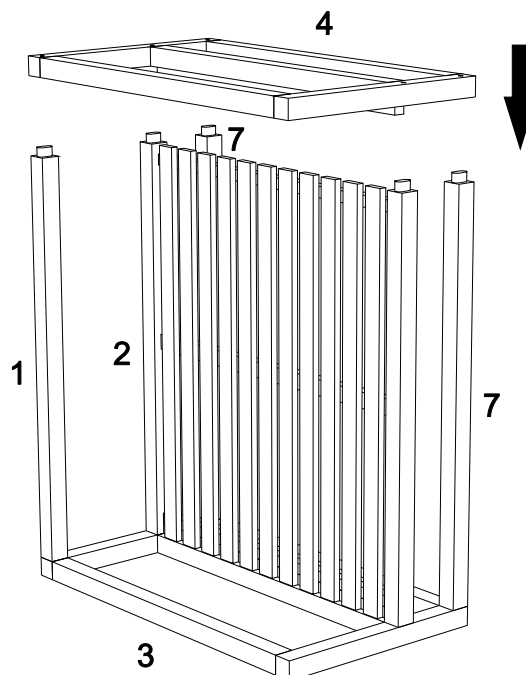
## STEP 1:

Please put **Left Frame (3)** on a carpeted or padded area.  
Insert the tenon on **Chair Seat (2)** into the rabbet on **Left Frame (3)** at first.  
Insert **Chair Back (1)** through the drilling hole.  
Insert **Support Wooden (7)** one by one through the drilling hole.



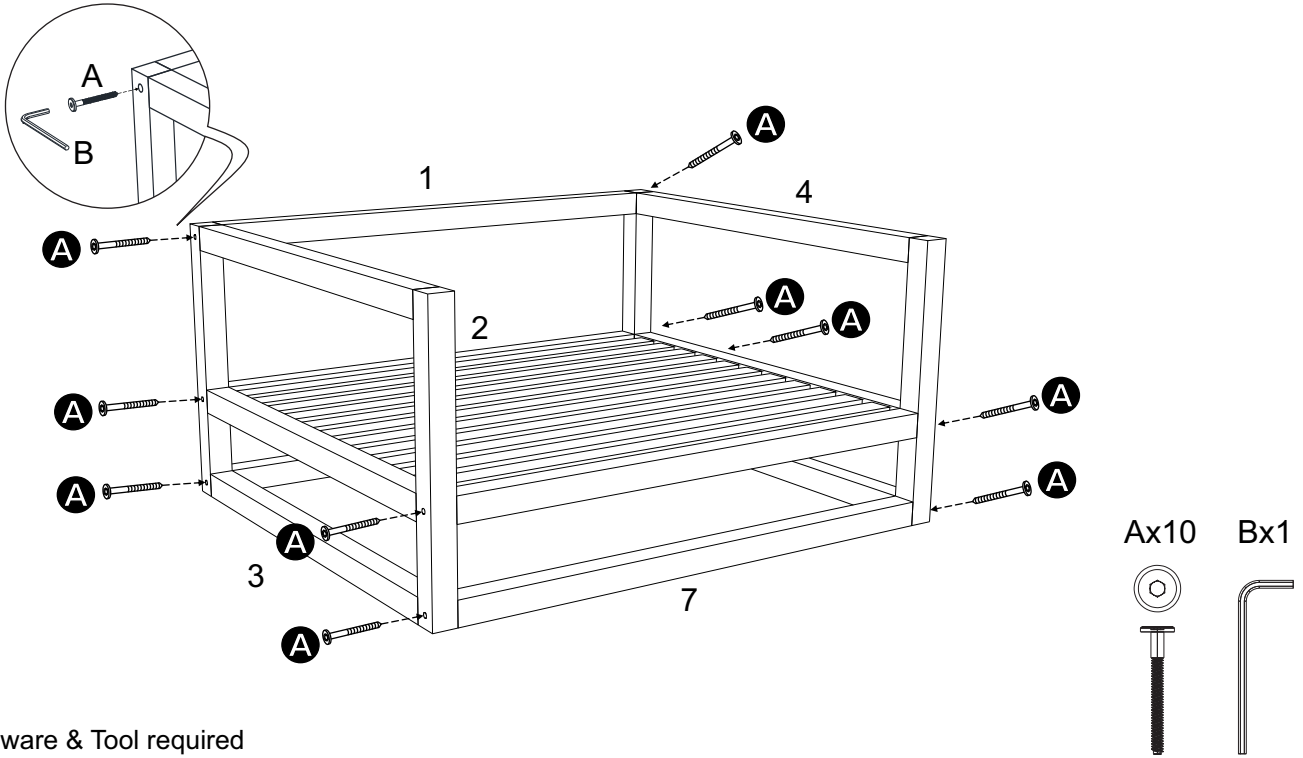
## STEP 2:

Carefully position **Right Frame (4)** to the assembled **Chair Back (1)**, **Chair Seat (2)** and **Left Frame (3)** as shown.  
Insert the tenon on **Chair Back (1)** and **Chair Seat (2)** into the rabbet on **Right Frame (4)**.



**STEP 3:**

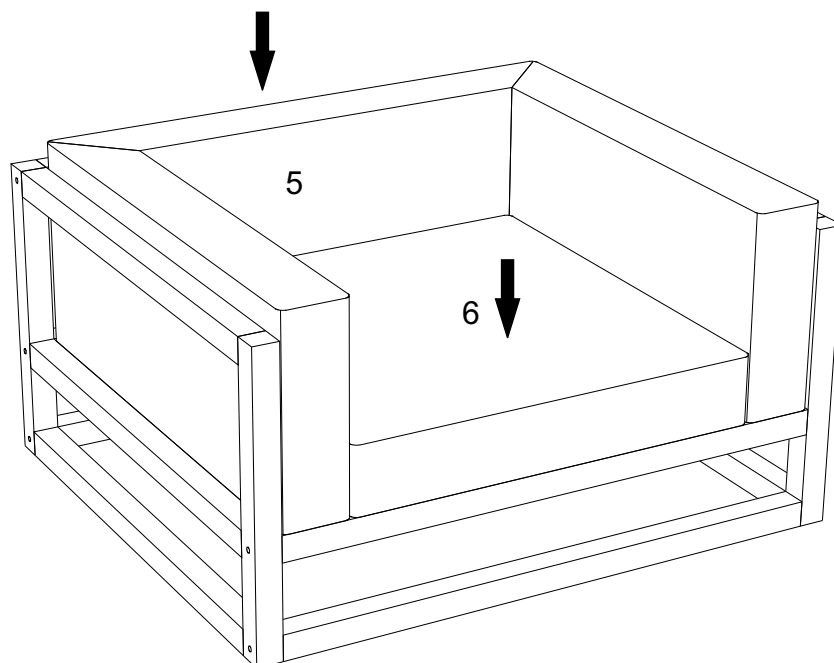
Carefully turn over the assembled **Chair Back (1)**, **Chair Seat (2)**, **Left Frame (3)** and **Right Frame (4)**. Insert 5 pieces of **Bolt (A)** into the pre-drilled holes on **Chair Back (1)**, **Chair Seat (2)**, **Support Wooden (7)** through the top pre-drilled holes on **Left Frame (3)**. Repeat the same steps for **Right Frame (4)**.



Hardware & Tool required

**STEP 4:**

Carefully position the assembled chair to the desired location. Put **Back Cushion (5)** and **Seat Cushion (6)** into the assembled chair as shown.



Assembly is complete. Your armchair is ready to be used now!