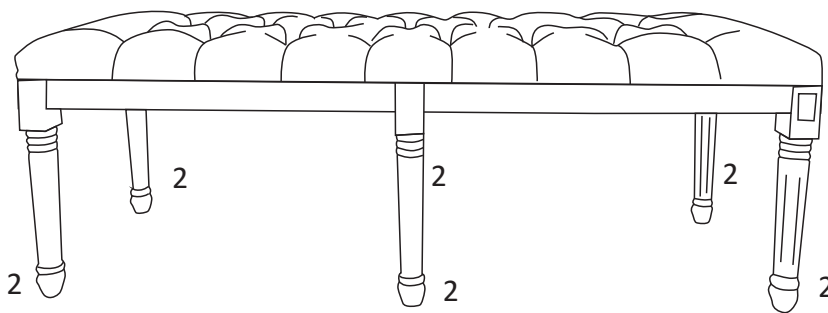


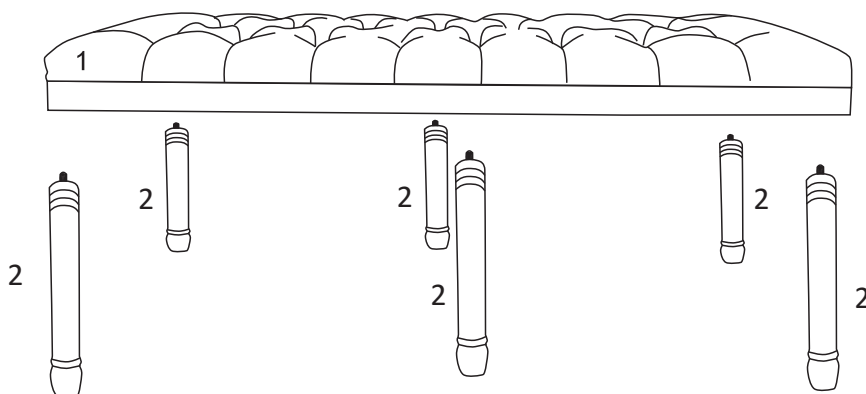
Thank you for purchasing the **MODWAY BENCH!**

Before you start, here are some helpful advice:

1. We suggest you spend a short time reading through this leaflet and then follow the simple step by step instructions.
2. Owing to the size and weight of the bench, we recommend that it is assembled by two adults, on a carpeted or padded area, in the room that it is intended for. Approximate assembly time: 30 minutes.
3. Please do not use any tools other than those provided or recommended in these instructions.
4. Please do not throw away any of the packaging or instructions until you have checked all the components and hardware and the furniture is fully assembled.
5. Assemble all components loosely until advised to tighten. Depending on use, it may be necessary to tighten the components from time to time, so please save the tools that have been provided.
6. Please keep all pieces out of reach of children.



## Component:

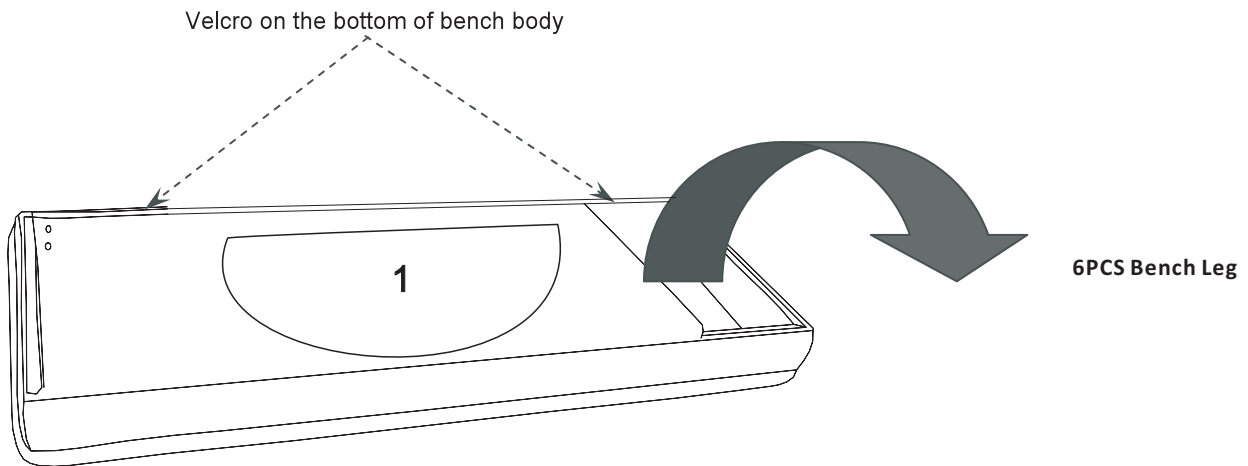


1 Bench Body x1

2 Bench Leg x6

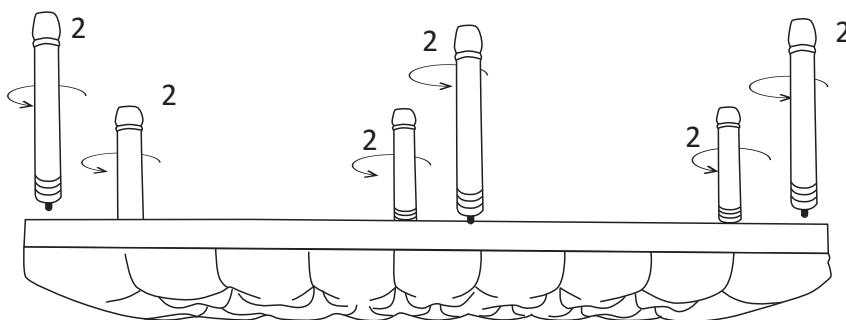
## STEP 1:

Please put the **Bench Body (1)** upside down on a carpeted or padded area by two adults.  
Open the Velcro on the bottom of **Bench Body (1)** as shown, to make the corners fully visible.  
Take out 6 pieces of **Legs(2)** from the inside of **Bench Body(1)**.



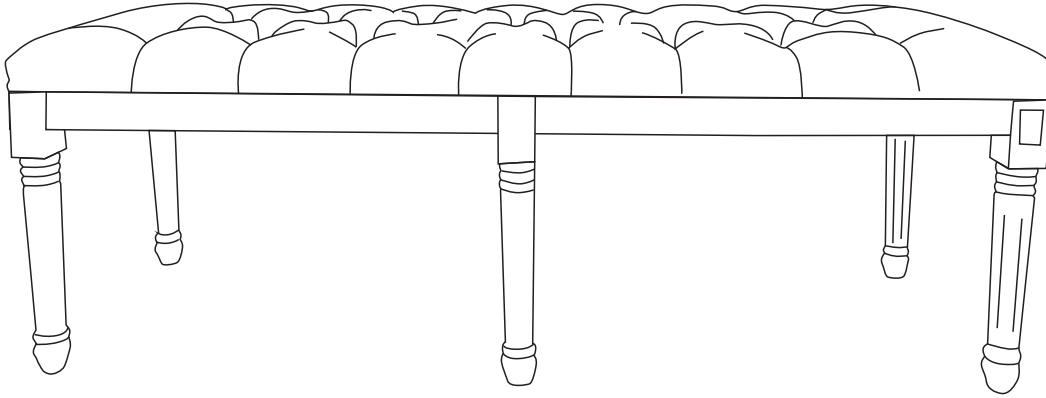
## STEP 2:

Position 1 piece of **Bench Leg (2)** at the corresponding wooden corner, tighten the **Bench Leg (2)** in arrow direction as shown.  
Repeat the same steps for the remaining **Bench Legs (2)**.  
Close the Velcro on bottom of **Bench Body (1)**.



## STEP 3:

Carefully turn over the assembled bench.



Assembly is completed. Your bench is ready to be enjoyed now!