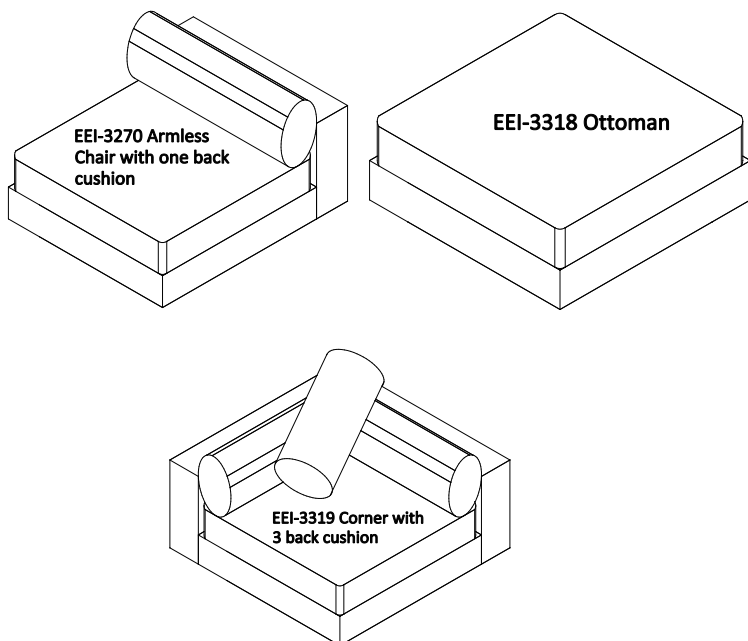


Thank you for purchasing the **MODWAY CORNER/ CHAIR/ OTTOMAN**

Before you start, here are some helpful advice:

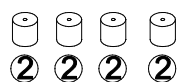
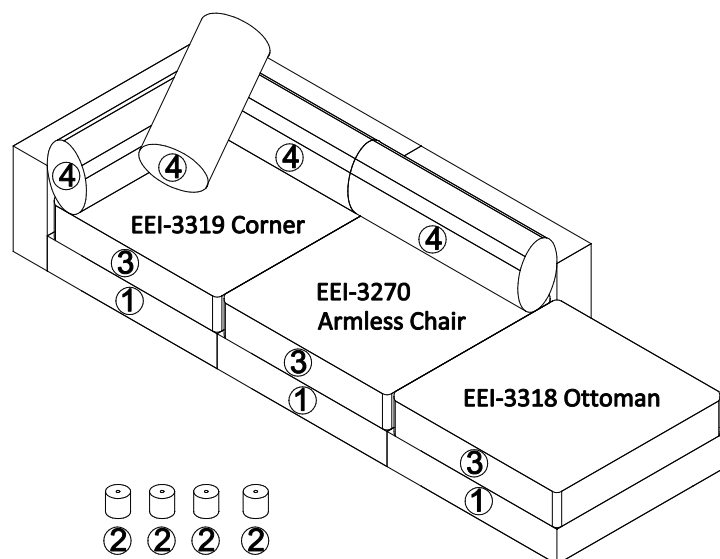
1. We suggest you spend a short time reading through this leaflet and then follow the simple step-by-step instructions.
2. Owing to the size and weight of the sofa/ chair/ottoman, we recommend that it is assembled by two adults, on a carpeted or padded area, in the room that it is intended for. Approximate assembly time: 30 minutes.
3. Please do not use any tools other than those provided or recommended in these instructions.
4. Please do not throw away any of the packaging or the instruction until you have checked all the components and hardware and the furniture is fully assembled. Please ensure that the packaging is disposed of in a safe and environmentally friendly way.
5. Assemble all components loosely until advised to tighten. Depending on use, it may be necessary to tighten the components from time to time, so please save the tools that have been provided.
6. Please keep all pieces out of reach of children.



Hardware:

- | | | | |
|----|--|-----------------|----|
| A. | | Bolt M8x60mm | x4 |
| B. | | Flat Washer | x4 |
| C. | | Allen Wrench M8 | x1 |
| D. | | Felt Pad | x4 |

Components:

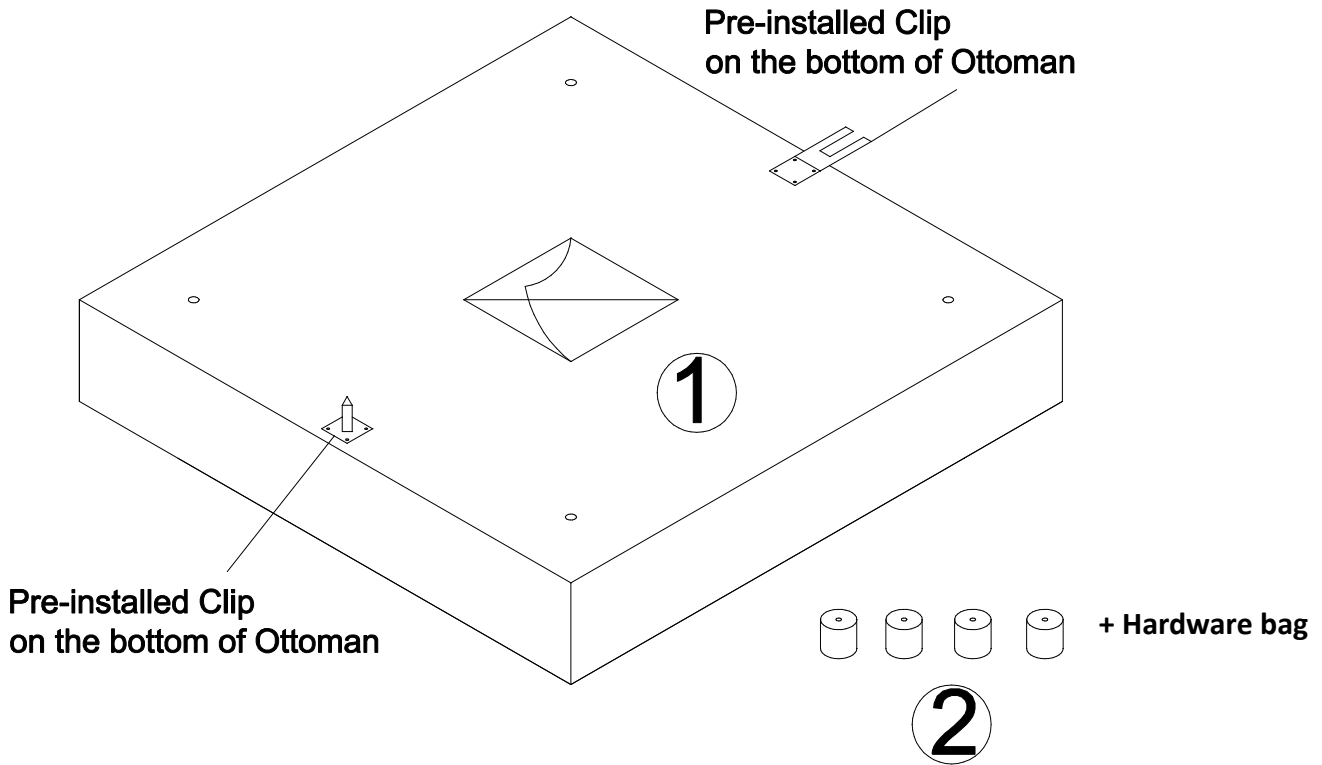


- | | | | | | |
|------------------------------------------------------------------------------------------|----|--------|----|-----------------|----|
| 1. Ottoman Body | x1 | 2. Leg | x4 | 3. Seat Cushion | x1 |
| 4. Back cushion x 4 (1 pc Back cushion for EEI-3270; 3 pcs Back cushions for EEI-3319) | | | | | |

STEP 1:

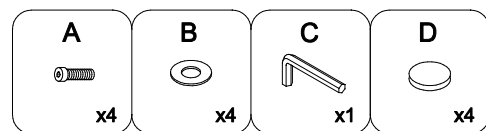
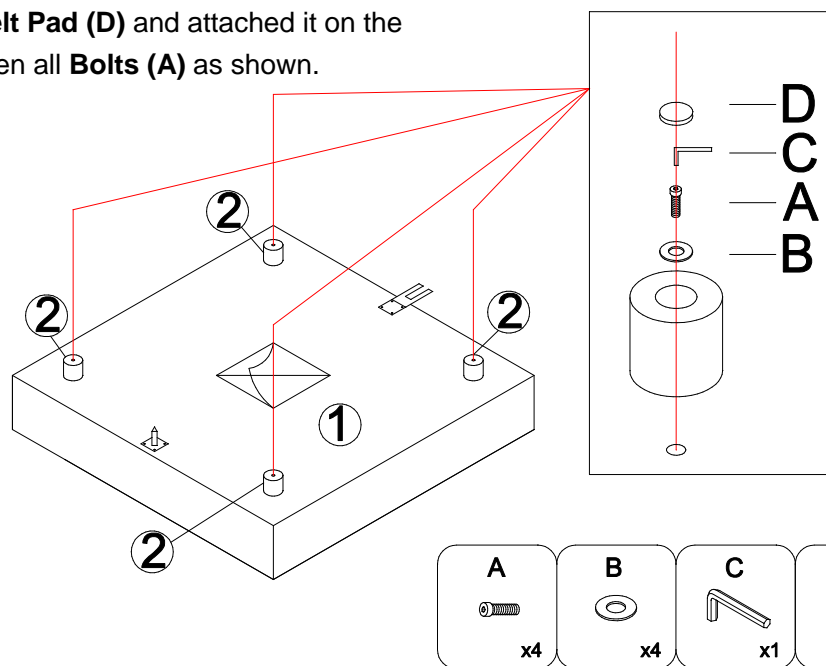
THE ASSEMBLY STEPS OF EEI-3270 ARMLESS CHAIR/ EEI-3318 OTTOMAN/ EEI-3319 CORNER ARE THE SAME. THE FOLLOWING ILLUSTRATION SHOWS THE ASSEMBLY STEPS OF EEI-3318 OTTOMAN.

1. Please put **Ottoman Body (1)** on a carpeted or padded surface.
2. Open the Zipper strip on the bottom of the **Ottoman Body (1)** and take out the 4 pieces of **Legs (2)** and hardware bag.



STEP 2:

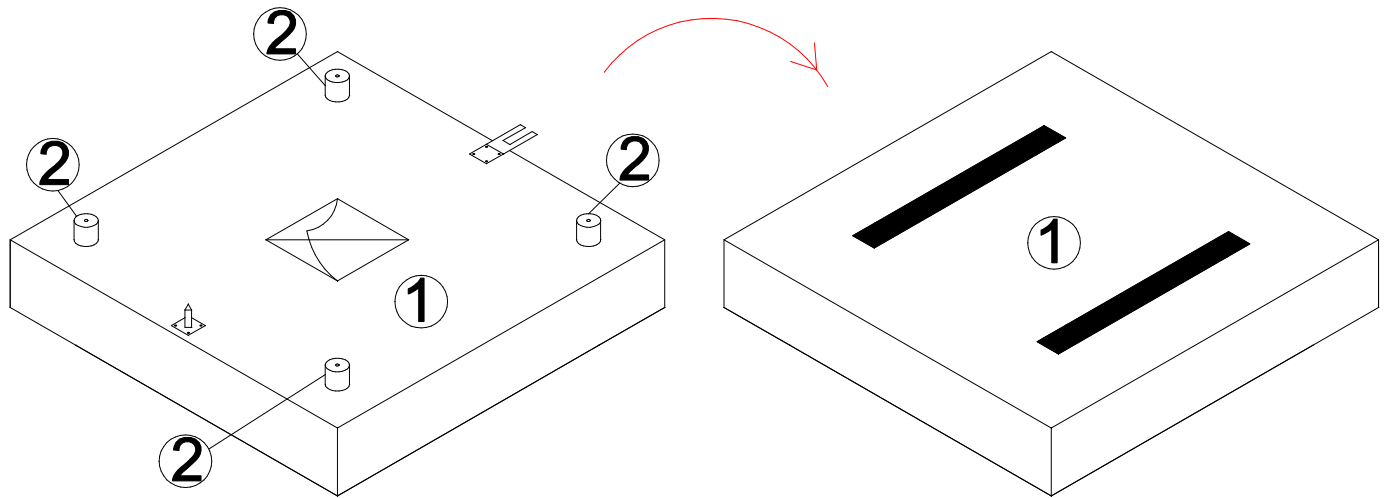
1. Attach 1 piece of **Leg (2)** to the bottom of **Ottoman Body (1)** by using 1 piece of **Bolt (A)** and 1 piece of **Flat Washer (B)** as shown. Repeat the same steps for other 3 pieces of **Legs (2)**.
2. Tighten **Bolts (A)** by using **Allen Wrench (C)** as shown.
3. Tear off the cover of the **Felt Pad (D)** and attached it on the bottom of the leg after tighten all **Bolts (A)** as shown.



Hardware & Tools Required

STEP 3:

1. Close the Zipper strip on the bottom of the **Ottoman Body (1)**.
2. Carefully turn over the assembled **Ottoman Body (1)** and **Legs(2)** from step 2 as shown.



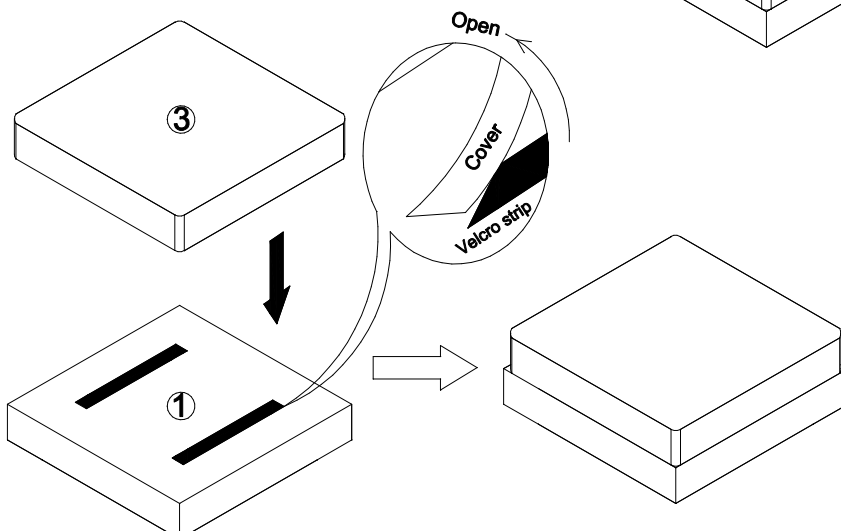
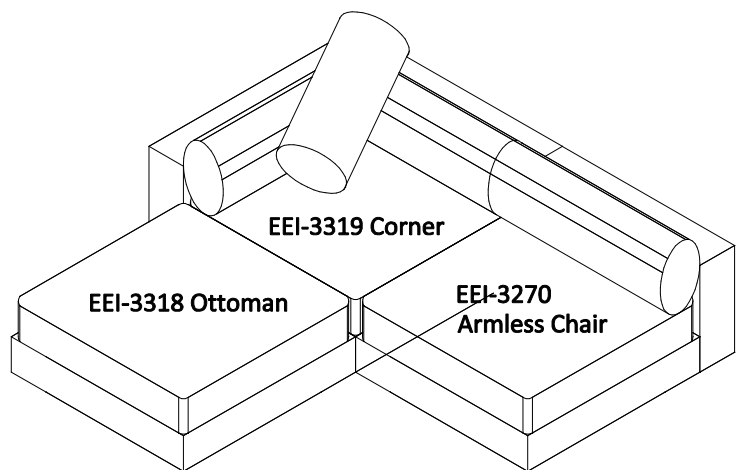
STEP 4:

Put **Seat Cushion (3)** to the assembled ottoman as shown.

As for the **Seat Cushion (3)** for **E EI-3270** and **E EI-3319**, please tear off the cover of velcro strip then connect Seat Cushion and Body.

Put 1 piece of **Back Cushion (4)** to **E EI-3270** and 3 pieces of **Back Cushions (4)** to **E EI-3319**.

Assembly is complete.

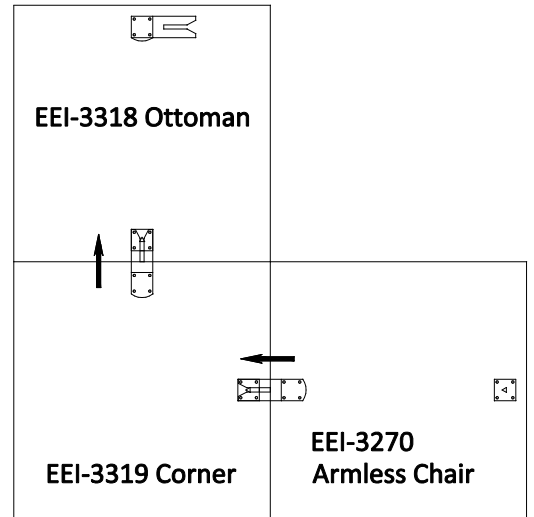
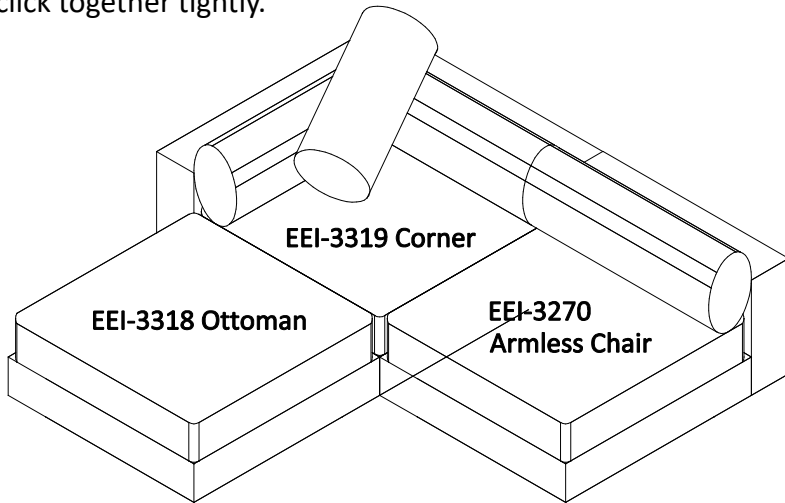


STEP 5

EEI-3318 Ottoman with EEI-3270 Armless Chair, EEI-3319 Corner have three Combination of options as shown below.

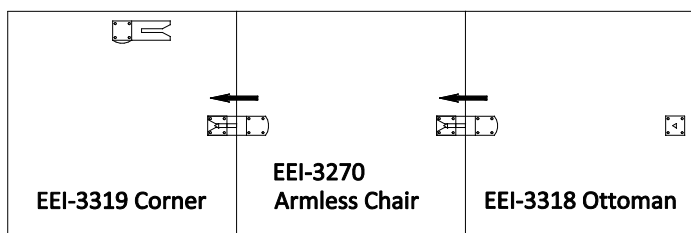
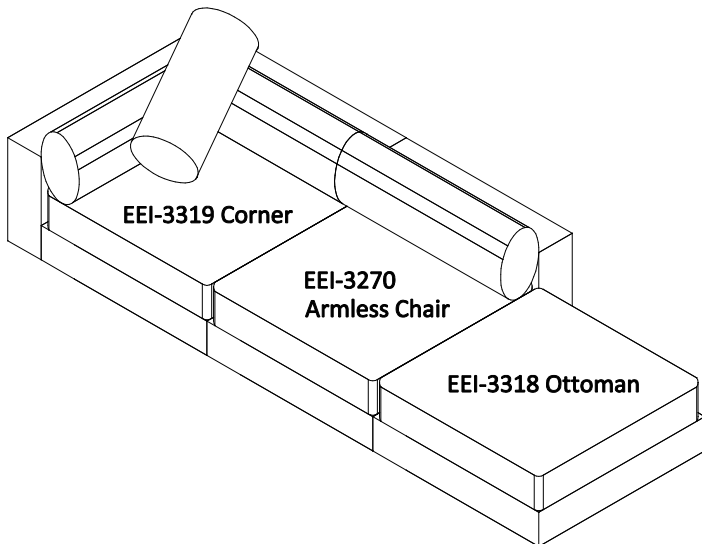
Option A: Align the pre-installed Clip to the pre-installed Post as shown.

Push EEI-3318 Ottoman, EEI-3319 Corner and EEI-3270 Armless Chair slowly until the Clip and the Post click together tightly.

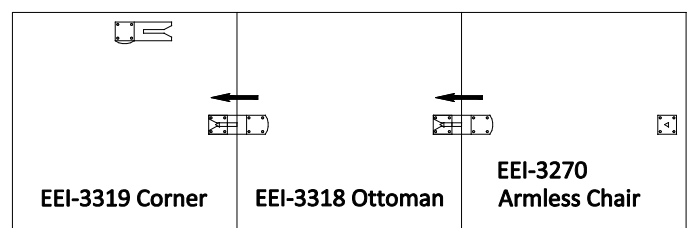
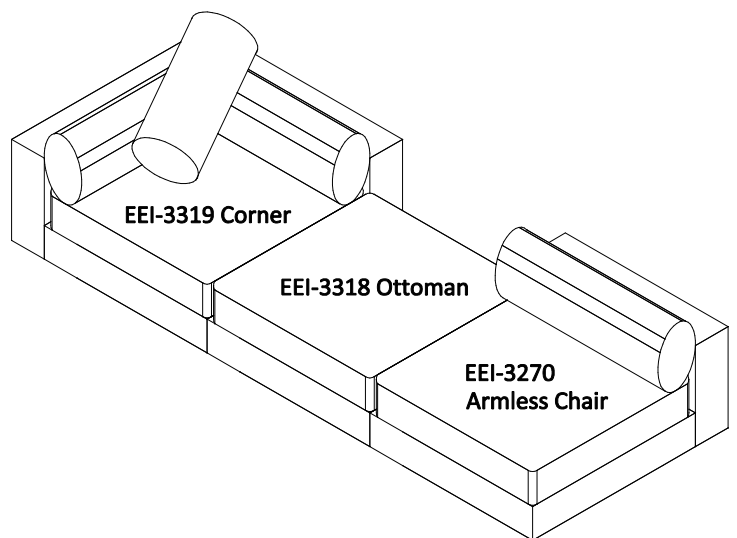


If you want to unlock the sofa combination: Lift up EEI-3319 Corner and move EEI-3318 Ottoman and EEI-3270 Armless Chair apart from EEI-3319 Corner.

Option B :



Option C :

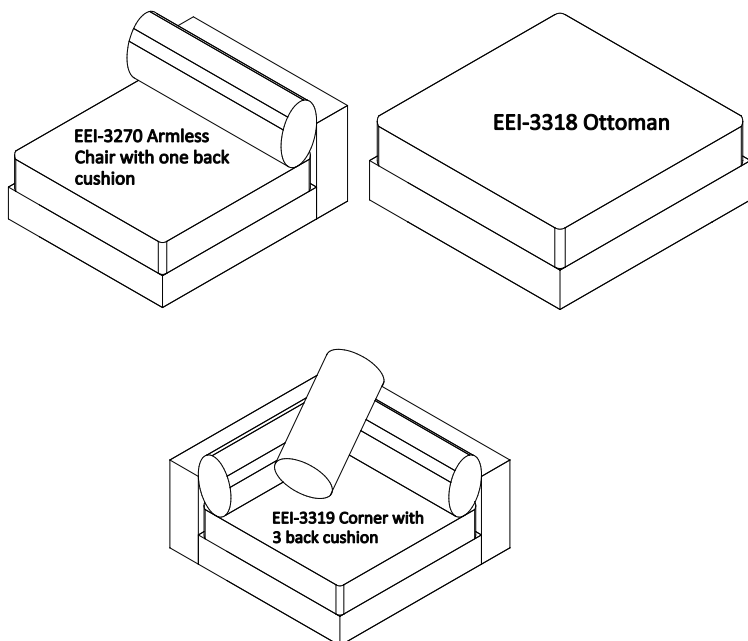


Assembly is complete. The sectional sofa is ready to enjoy now

Thank you for purchasing the **MODWAY CORNER/ CHAIR/ OTTOMAN**

Before you start, here are some helpful advice:

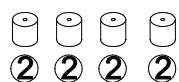
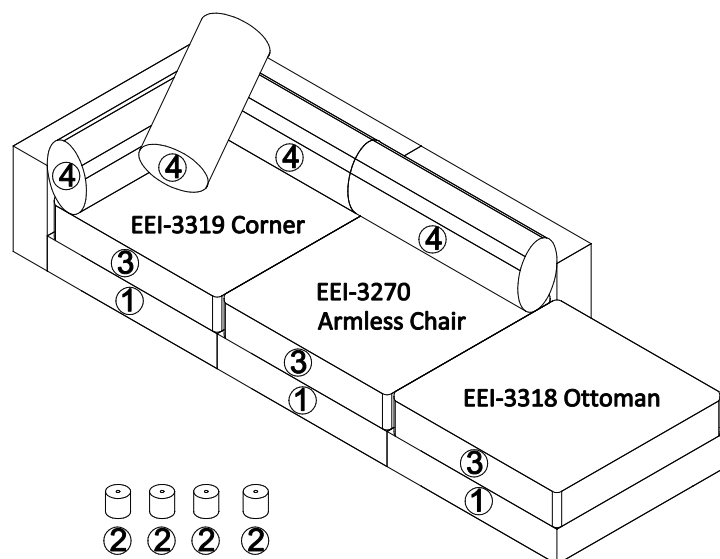
1. We suggest you spend a short time reading through this leaflet and then follow the simple step-by-step instructions.
2. Owing to the size and weight of the sofa/ chair/ottoman, we recommend that it is assembled by two adults, on a carpeted or padded area, in the room that it is intended for. Approximate assembly time: 30 minutes.
3. Please do not use any tools other than those provided or recommended in these instructions.
4. Please do not throw away any of the packaging or the instruction until you have checked all the components and hardware and the furniture is fully assembled. Please ensure that the packaging is disposed of in a safe and environmentally friendly way.
5. Assemble all components loosely until advised to tighten. Depending on use, it may be necessary to tighten the components from time to time, so please save the tools that have been provided.
6. Please keep all pieces out of reach of children.



Hardware:

- | | | | |
|----|--|-----------------|----|
| A. | | Bolt M8x60mm | x4 |
| B. | | Flat Washer | x4 |
| C. | | Allen Wrench M8 | x1 |
| D. | | Felt Pad | x4 |

Components:

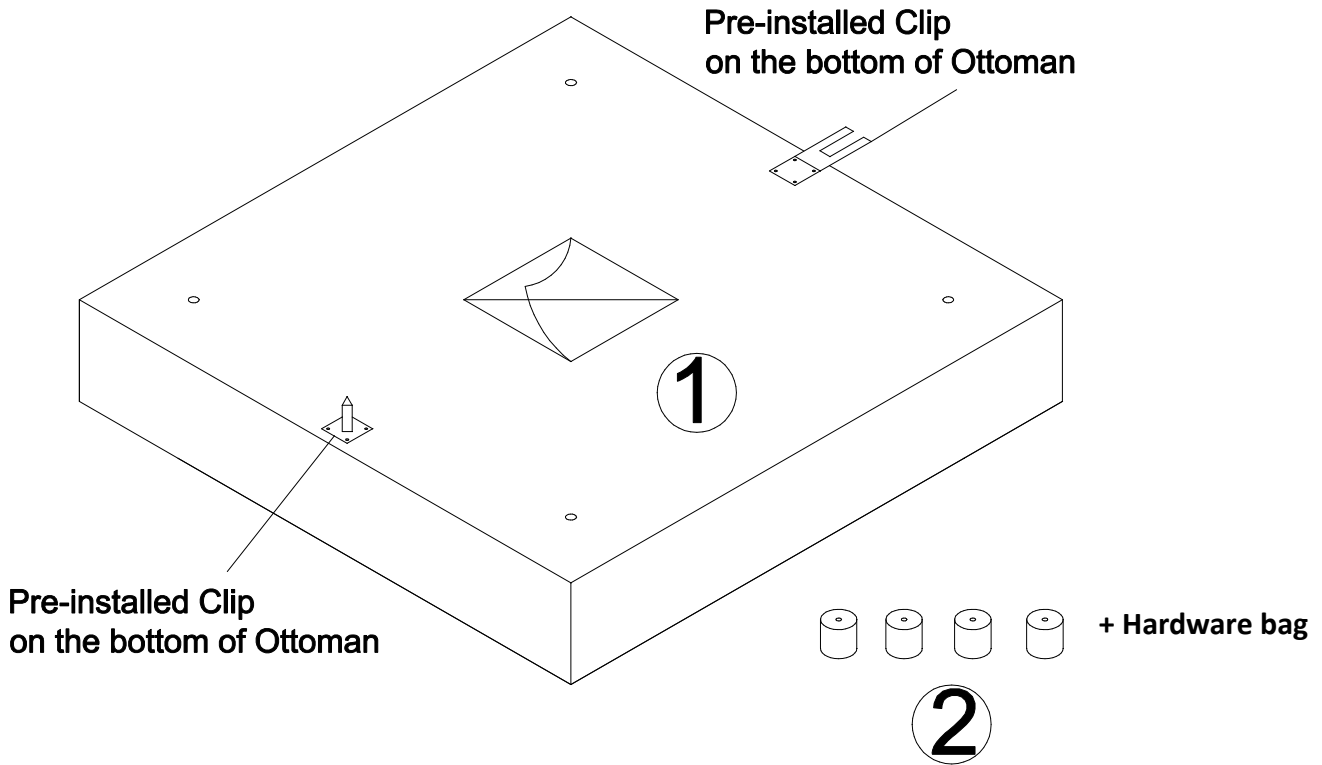


- | | | | | | |
|------------------------------------------------------------------------------------------|----|--------|----|-----------------|----|
| 1. Ottoman Body | x1 | 2. Leg | x4 | 3. Seat Cushion | x1 |
| 4. Back cushion x 4 (1 pc Back cushion for EEI-3270; 3 pcs Back cushions for EEI-3319) | | | | | |

STEP 1:

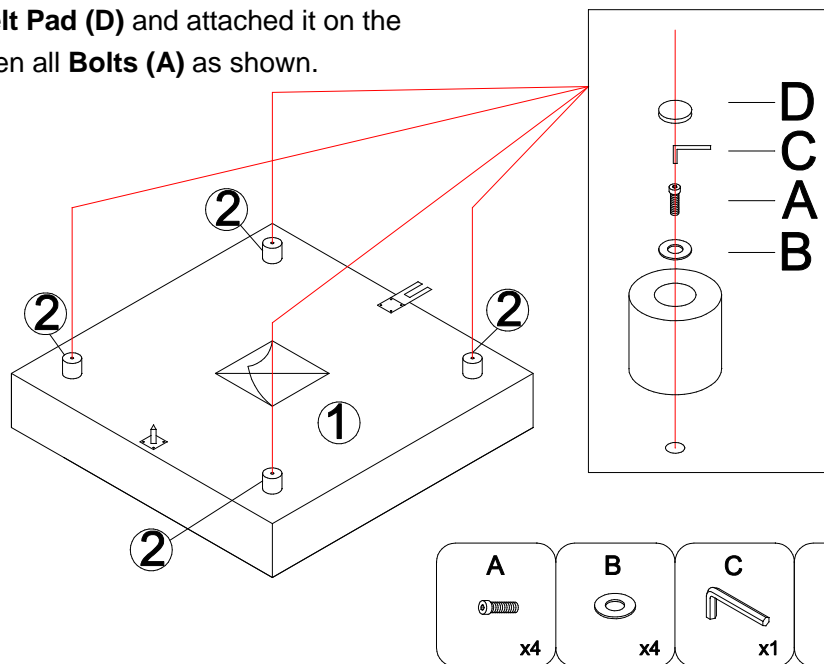
THE ASSEMBLY STEPS OF EEI-3270 ARMLESS CHAIR/ EEI-3318 OTTOMAN/ EEI-3319 CORNER ARE THE SAME. THE FOLLOWING ILLUSTRATION SHOWS THE ASSEMBLY STEPS OF EEI-3318 OTTOMAN.

1. Please put **Ottoman Body (1)** on a carpeted or padded surface.
2. Open the Zipper strip on the bottom of the **Ottoman Body (1)** and take out the 4 pieces of **Legs (2)** and hardware bag.



STEP 2:

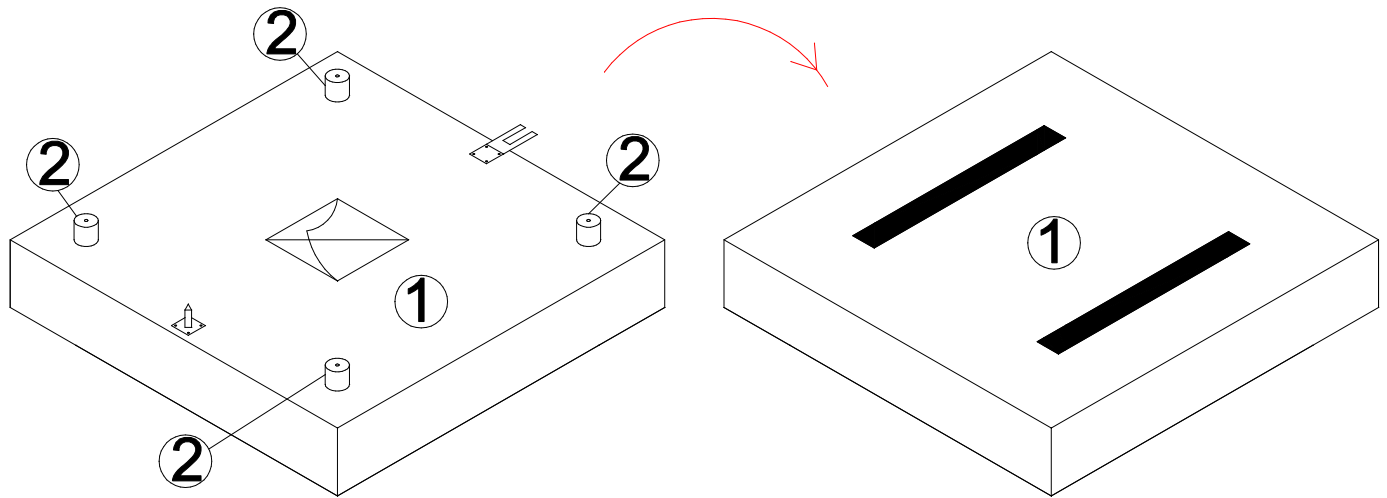
1. Attach 1 piece of **Leg (2)** to the bottom of **Ottoman Body (1)** by using 1 piece of **Bolt (A)** and 1 piece of **Flat Washer (B)** as shown. Repeat the same steps for other 3 pieces of **Legs (2)**.
2. Tighten **Bolts (A)** by using **Allen Wrench (C)** as shown.
3. Tear off the cover of the **Felt Pad (D)** and attached it on the bottom of the leg after tighten all **Bolts (A)** as shown.



Hardware & Tools Required

STEP 3:

1. Close the Zipper strip on the bottom of the **Ottoman Body (1)**.
2. Carefully turn over the assembled **Ottoman Body (1)** and **Legs(2)** from step 2 as shown.



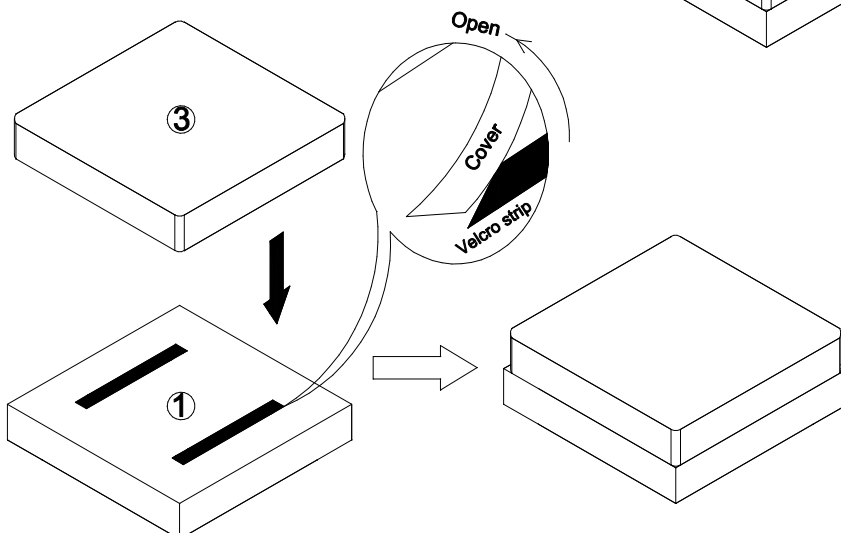
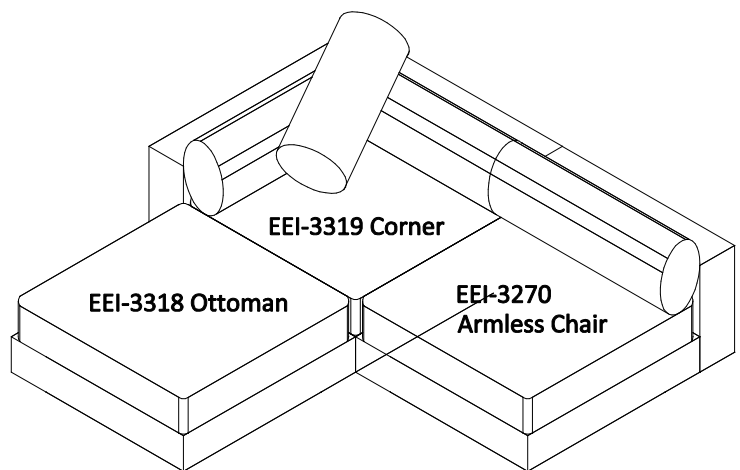
STEP 4:

Put **Seat Cushion (3)** to the assembled ottoman as shown.

As for the **Seat Cushion (3)** for **E EI-3270** and **E EI-3319**, please tear off the cover of velcro strip then connect Seat Cushion and Body.

Put 1 piece of **Back Cushion (4)** to **E EI-3270** and 3 pieces of **Back Cushions (4)** to **E EI-3319**.

Assembly is complete.

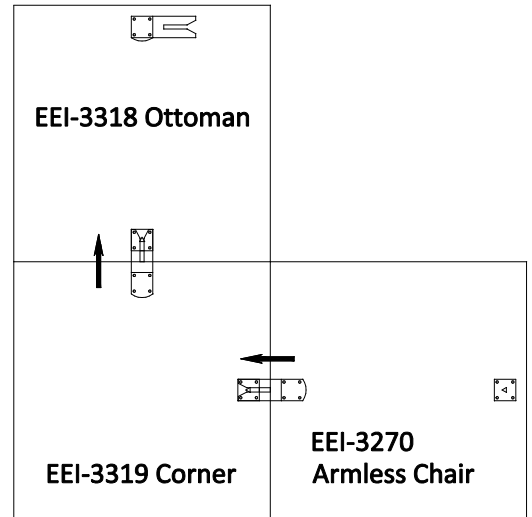
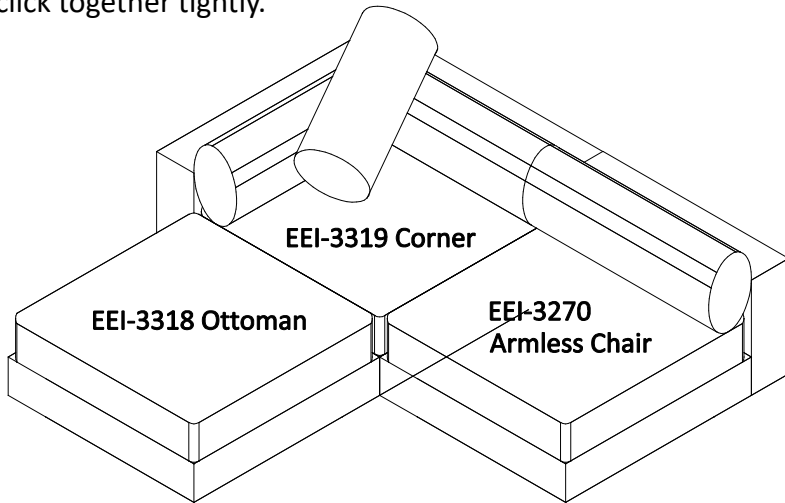


STEP 5

EEI-3318 Ottoman with EEI-3270 Armless Chair, EEI-3319 Corner have three Combination of options as shown below.

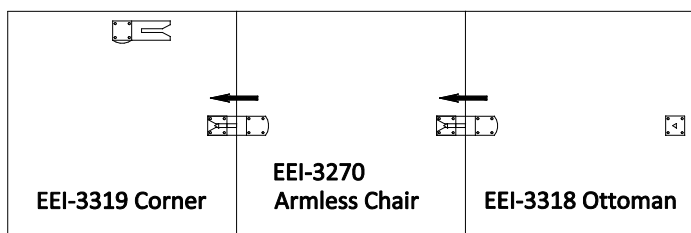
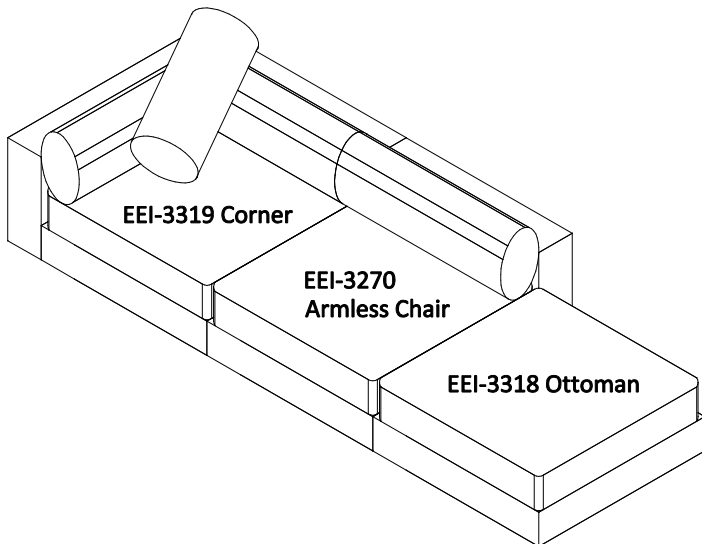
Option A: Align the pre-installed Clip to the pre-installed Post as shown.

Push EEI-3318 Ottoman, EEI-3319 Corner and EEI-3270 Armless Chair slowly until the Clip and the Post click together tightly.

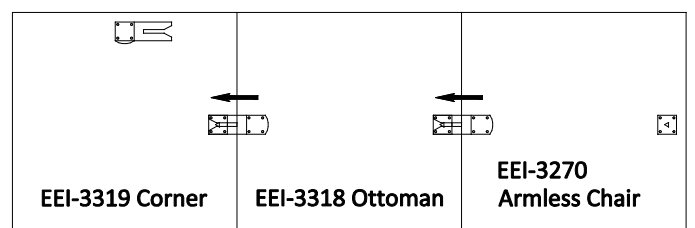
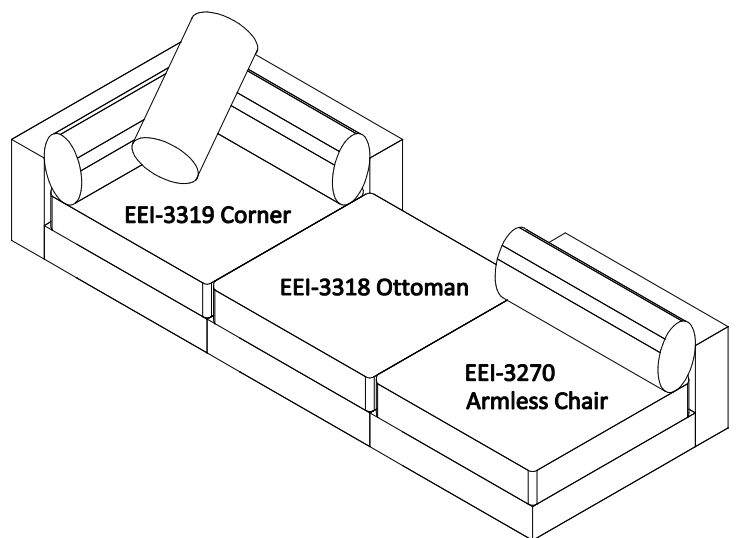


If you want to unlock the sofa combination: Lift up EEI-3319 Corner and move EEI-3318 Ottoman and EEI-3270 Armless Chair apart from EEI-3319 Corner.

Option B :



Option C :

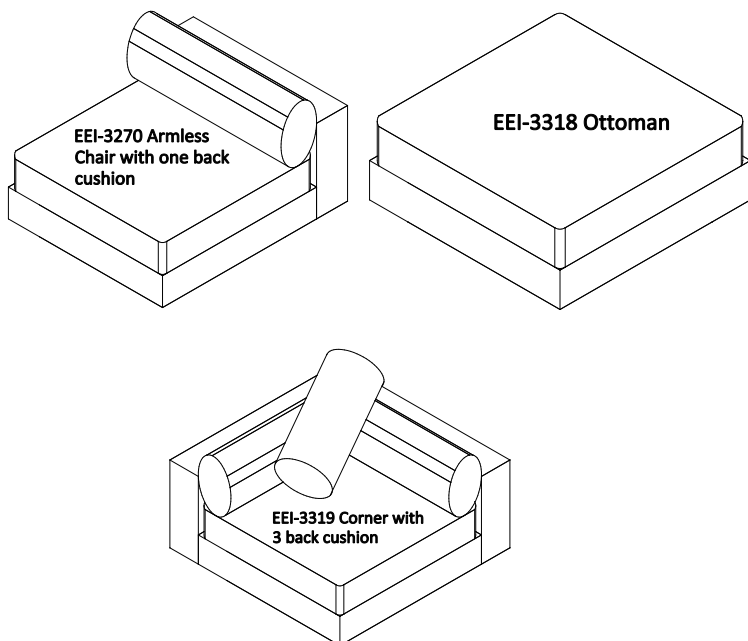


Assembly is complete. The sectional sofa is ready to enjoy now

Thank you for purchasing the **MODWAY CORNER/ CHAIR/ OTTOMAN**

Before you start, here are some helpful advice:

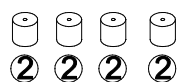
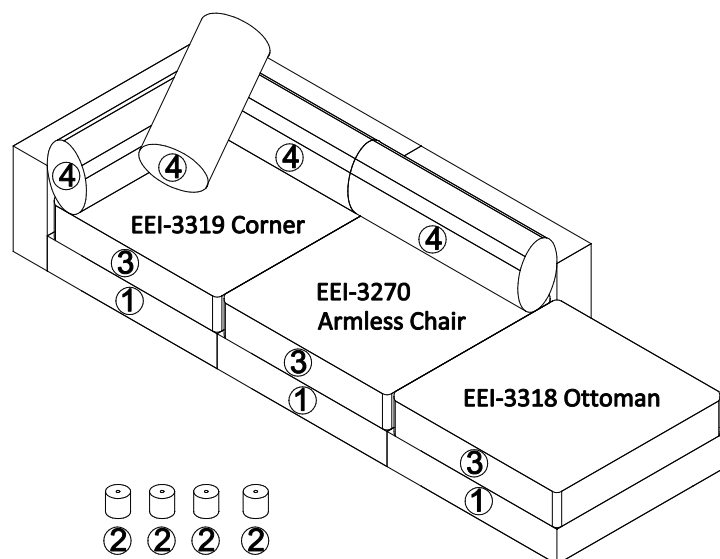
1. We suggest you spend a short time reading through this leaflet and then follow the simple step-by-step instructions.
2. Owing to the size and weight of the sofa/ chair/ottoman, we recommend that it is assembled by two adults, on a carpeted or padded area, in the room that it is intended for. Approximate assembly time: 30 minutes.
3. Please do not use any tools other than those provided or recommended in these instructions.
4. Please do not throw away any of the packaging or the instruction until you have checked all the components and hardware and the furniture is fully assembled. Please ensure that the packaging is disposed of in a safe and environmentally friendly way.
5. Assemble all components loosely until advised to tighten. Depending on use, it may be necessary to tighten the components from time to time, so please save the tools that have been provided.
6. Please keep all pieces out of reach of children.



Hardware:

- | | | | |
|----|--|-----------------|----|
| A. | | Bolt M8x60mm | x4 |
| B. | | Flat Washer | x4 |
| C. | | Allen Wrench M8 | x1 |
| D. | | Felt Pad | x4 |

Components:

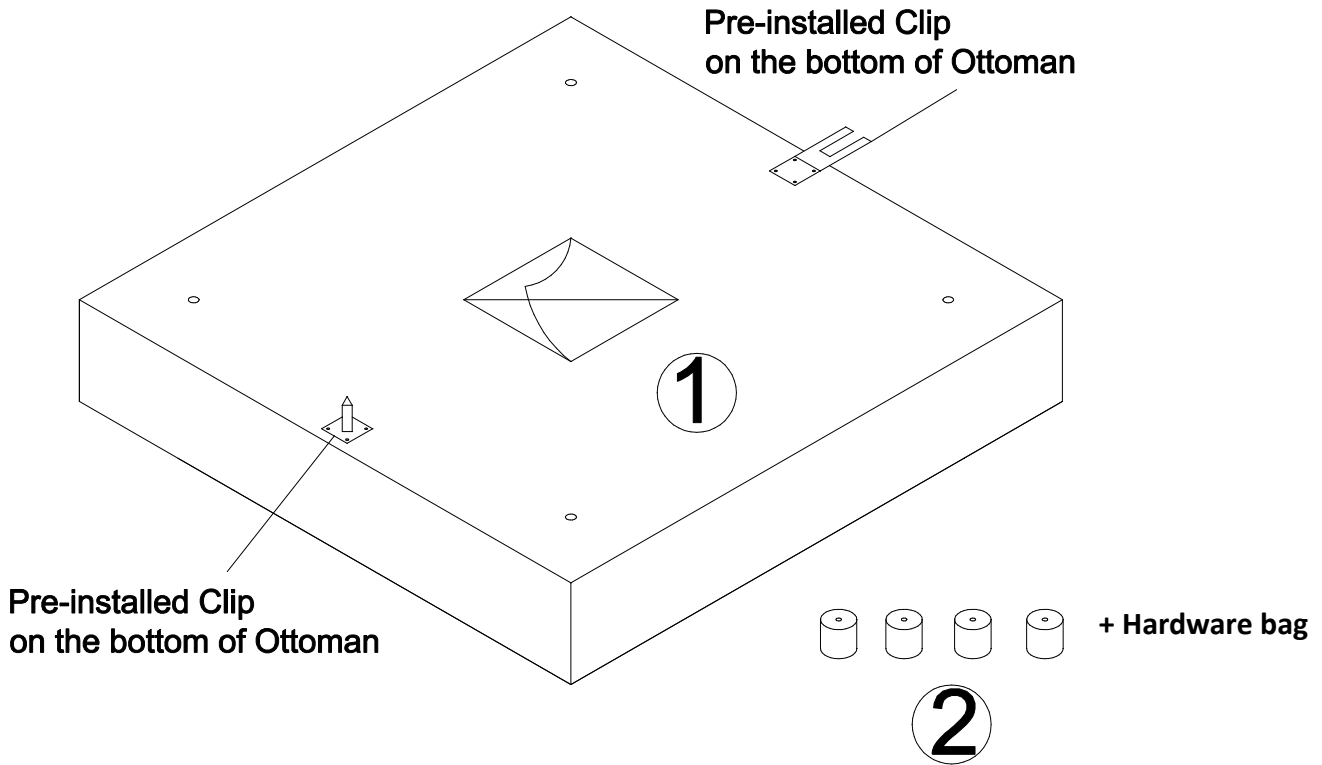


- | | | | | | |
|------------------------------------------------------------------------------------------|----|--------|----|-----------------|----|
| 1. Ottoman Body | x1 | 2. Leg | x4 | 3. Seat Cushion | x1 |
| 4. Back cushion x 4 (1 pc Back cushion for EEI-3270; 3 pcs Back cushions for EEI-3319) | | | | | |

STEP 1:

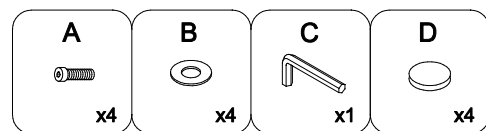
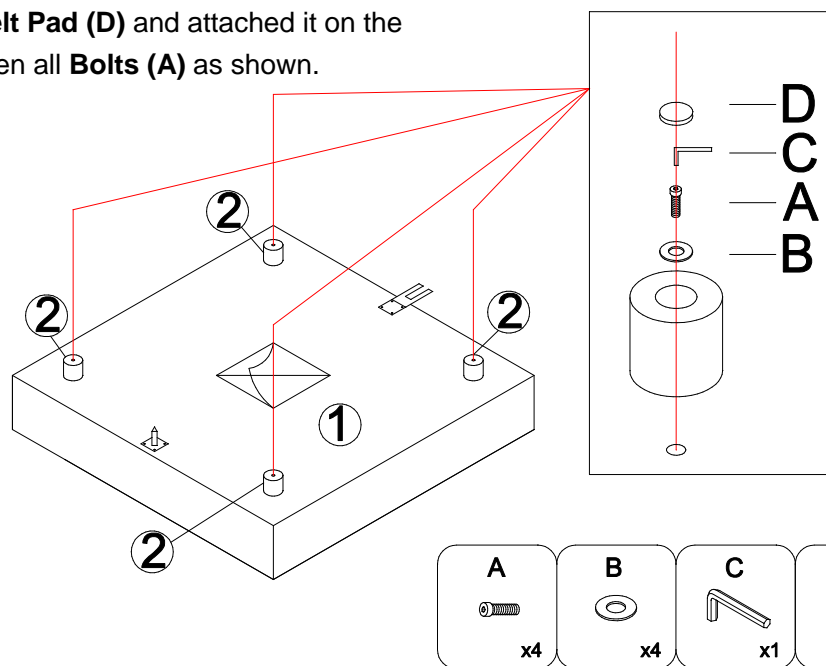
THE ASSEMBLY STEPS OF EEI-3270 ARMLESS CHAIR/ EEI-3318 OTTOMAN/ EEI-3319 CORNER ARE THE SAME. THE FOLLOWING ILLUSTRATION SHOWS THE ASSEMBLY STEPS OF EEI-3318 OTTOMAN.

1. Please put **Ottoman Body (1)** on a carpeted or padded surface.
2. Open the Zipper strip on the bottom of the **Ottoman Body (1)** and take out the 4 pieces of **Legs (2)** and hardware bag.



STEP 2:

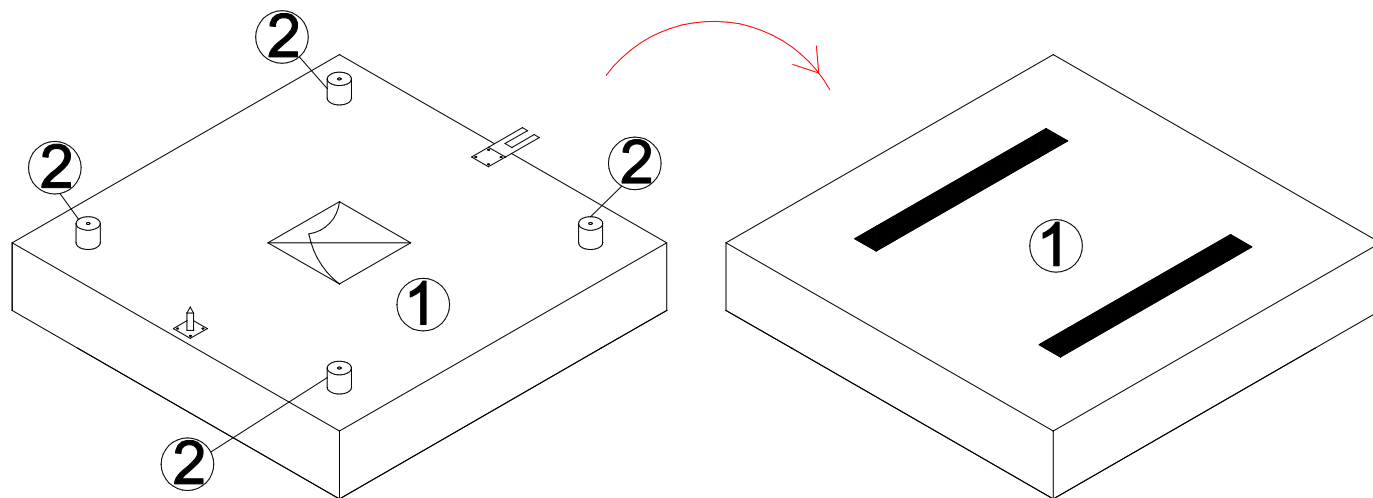
1. Attach 1 piece of **Leg (2)** to the bottom of **Ottoman Body (1)** by using 1 piece of **Bolt (A)** and 1 piece of **Flat Washer (B)** as shown. Repeat the same steps for other 3 pieces of **Legs (2)**.
2. Tighten **Bolts (A)** by using **Allen Wrench (C)** as shown.
3. Tear off the cover of the **Felt Pad (D)** and attached it on the bottom of the leg after tighten all **Bolts (A)** as shown.



Hardware & Tools Required

STEP 3:

1. Close the Zipper strip on the bottom of the **Ottoman Body (1)**.
2. Carefully turn over the assembled **Ottoman Body (1)** and **Legs(2)** from step 2 as shown.

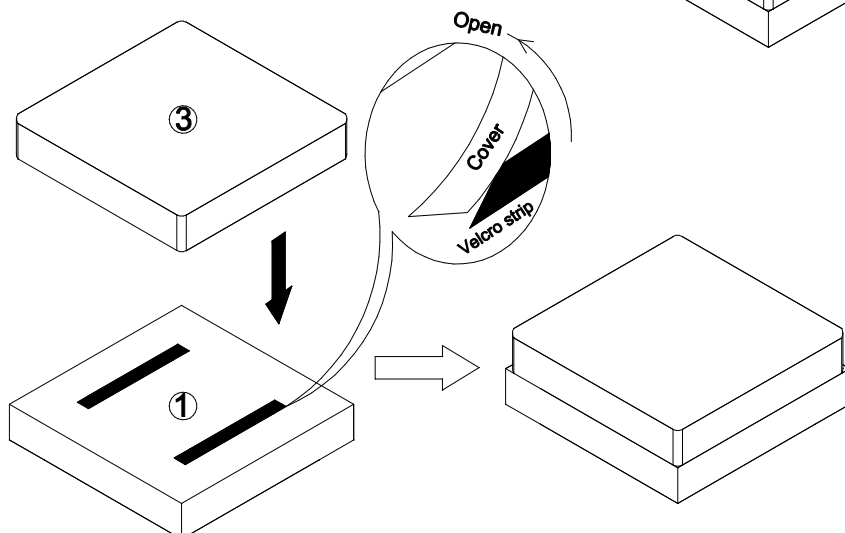
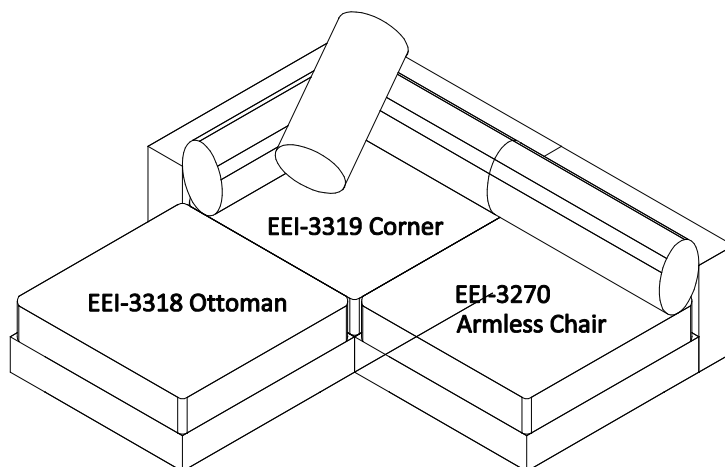


STEP 4:

Put **Seat Cushion (3)** to the assembled ottoman as shown.

As for the **Seat Cushion (3)** for **E EI-3270** and **E EI-3319**, please tear off the cover of velcro strip then connect Seat Cushion and Body.

Put 1 piece of **Back Cushion (4)** to **E EI-3270** and 3 pieces of **Back Cushions (4)** to **E EI-3319**.
 Assembly is complete.

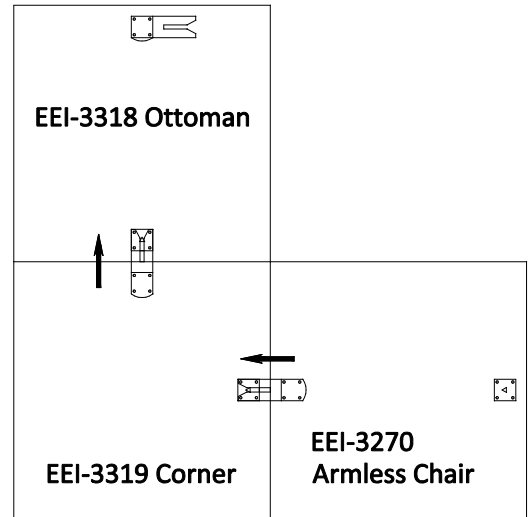
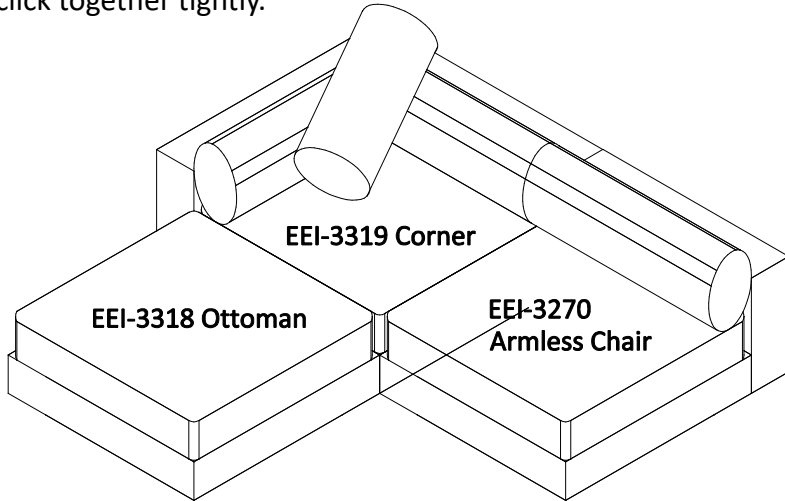


STEP 5

EEI-3318 Ottoman with EEI-3270 Armless Chair, EEI-3319 Corner have three Combination of options as shown below.

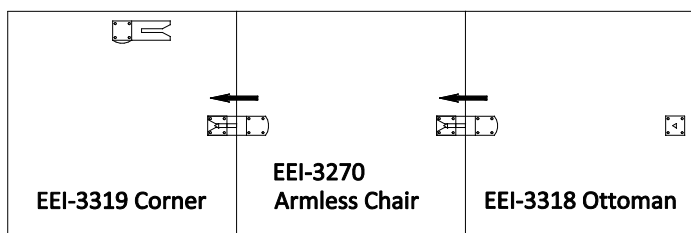
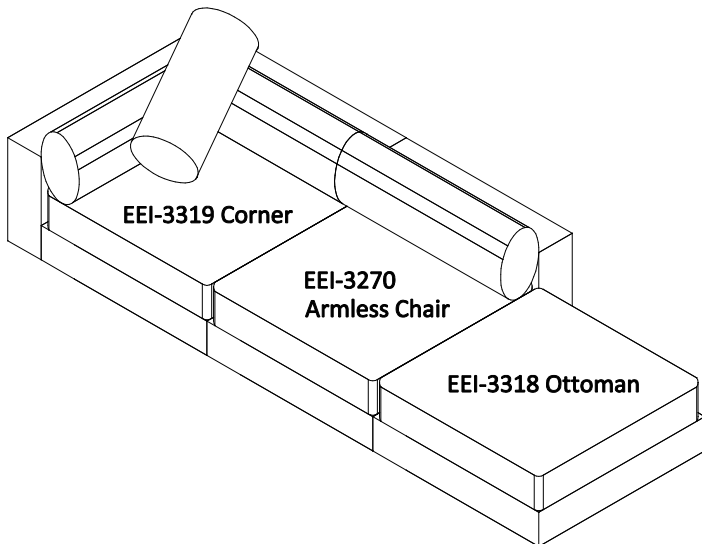
Option A: Align the pre-installed Clip to the pre-installed Post as shown.

Push EEI-3318 Ottoman, EEI-3319 Corner and EEI-3270 Armless Chair slowly until the Clip and the Post click together tightly.

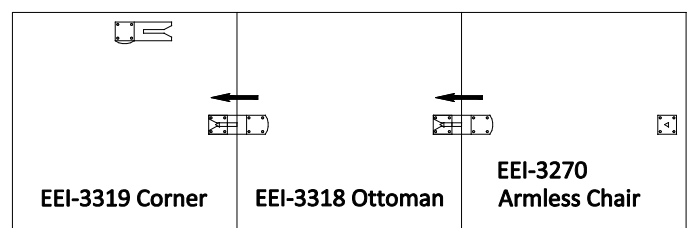
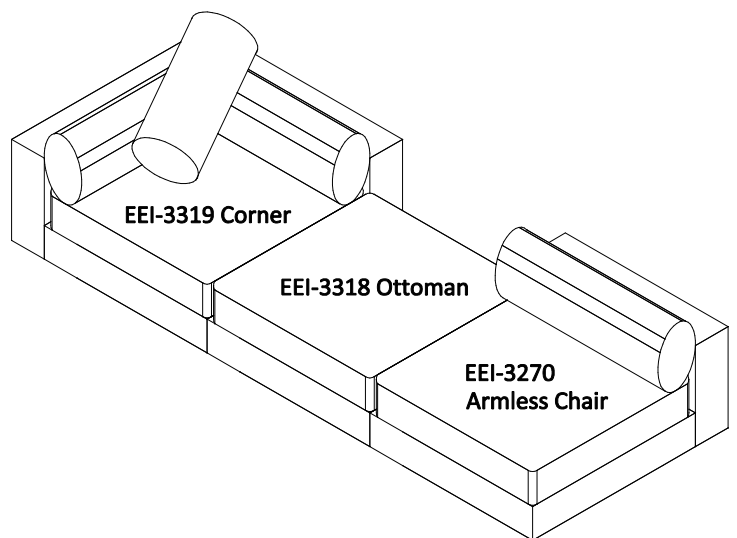


If you want to unlock the sofa combination: Lift up EEI-3319 Corner and move EEI-3318 Ottoman and EEI-3270 Armless Chair apart from EEI-3319 Corner.

Option B :



Option C :



Assembly is complete. The sectional sofa is ready to enjoy now