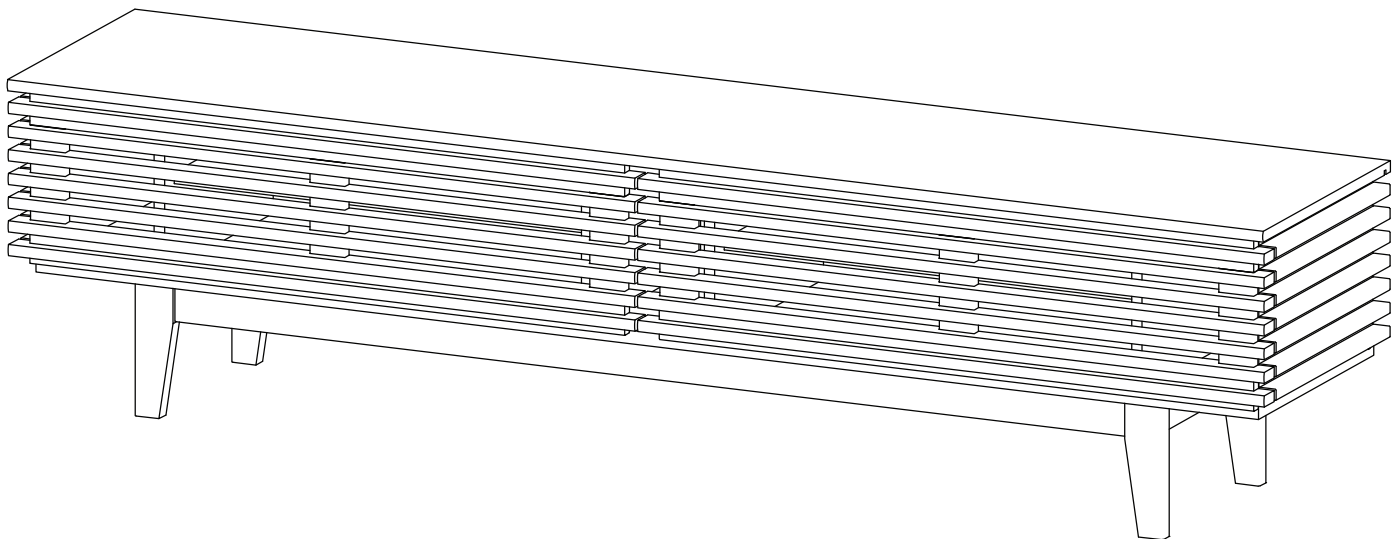


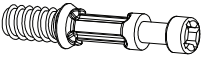


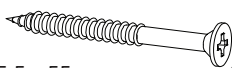





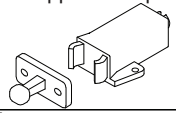





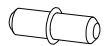

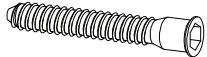
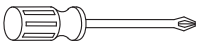
Thank you for purchasing the **MODWAY TV STAND!**

Before you start, here are some helpful advice:

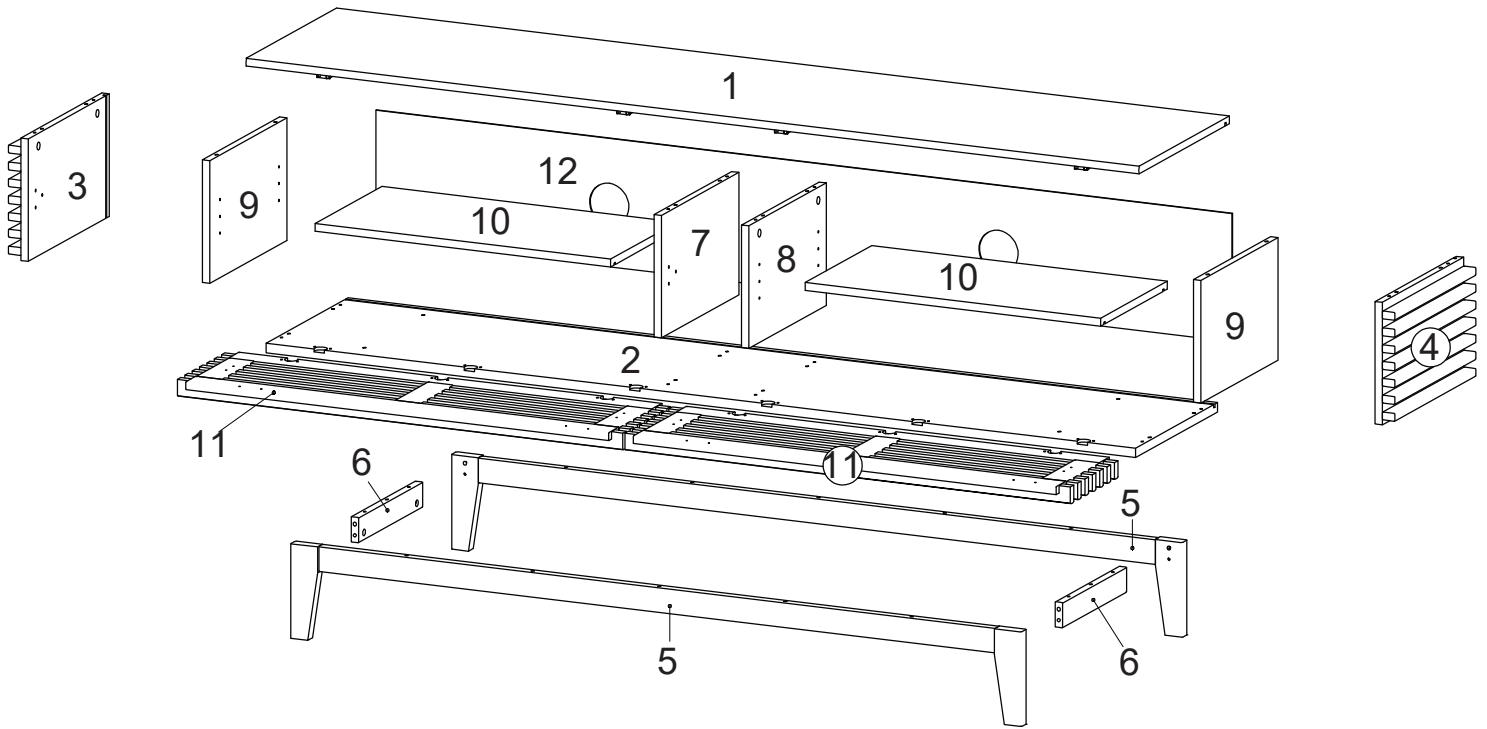
1. We suggest you spend a short time reading through this leaflet and then follow the simple step-by-step instructions.
2. Owing to the size and weight of the TV Stand, we recommend that it is assembled by two adults, on a carpeted or padded area, in the room that it is intended for. Approximate assembly time: 60 minutes.
3. Please do not use any tools other than those provided or recommended in these instructions.
4. Please do not throw away any of the packaging or instructions until you have checked all the components and hardware and the furniture is fully assembled.
5. Assemble all components loosely until advised to tighten. Depending on use, it may be necessary to tighten the components from time to time, so please save the tools that have been provided.
6. Please keep all pieces out of reach of children.



Hardware :

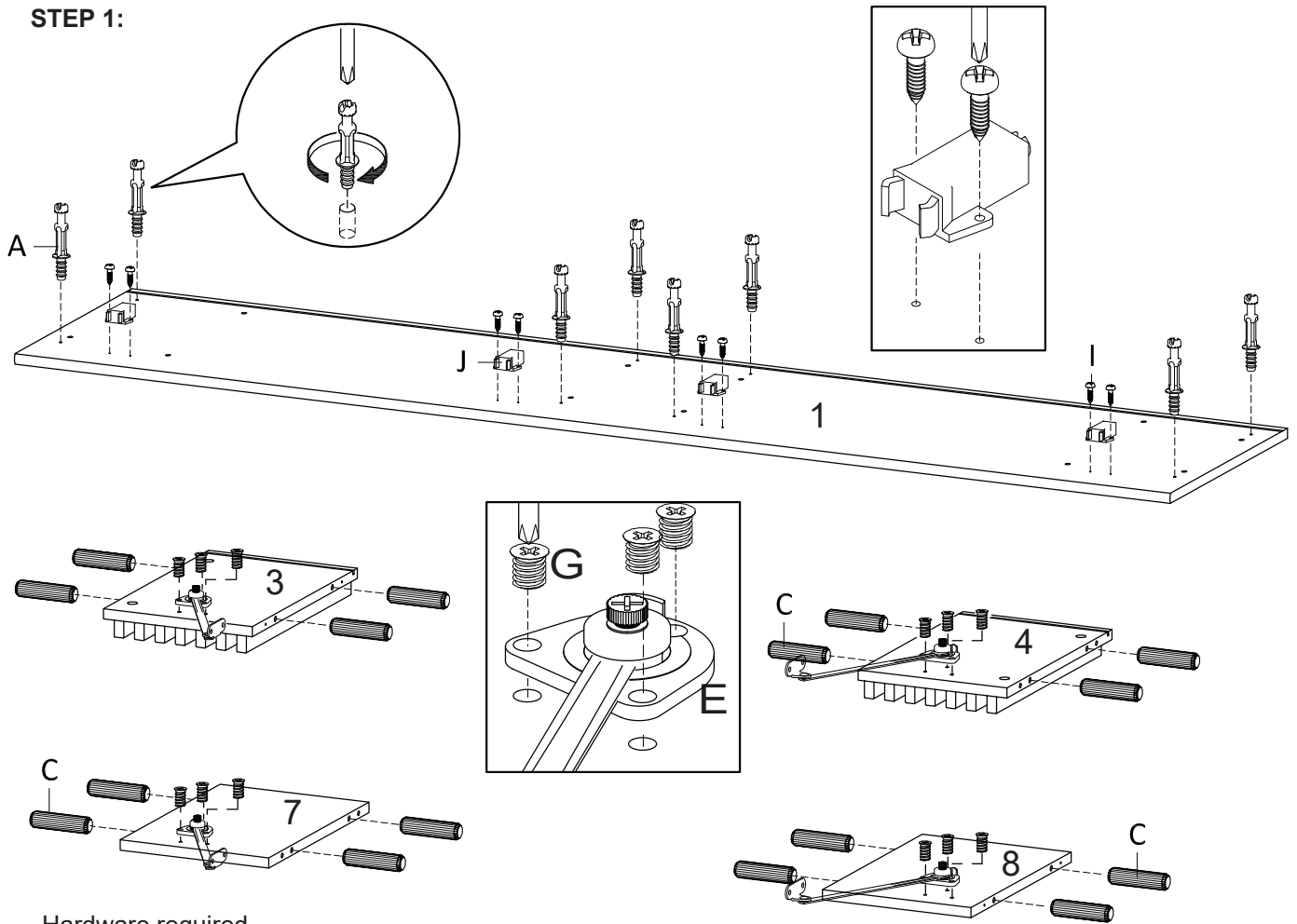
A) Cambolt/Metal  ∅ 6 x 35 mm x 12	B) CamLock /Metal  ∅ 15 mm x 12	C) Dowel /Wood  ∅ 8 x 30 mm x 34	D) Screw/Metal  5.5 x 55 mm x 10	E) Lidstay/Metal,Plastic  207 x 45.6 x 20.5 mm x 4
F) Hinge Flappy/Metal  41 x 39.5 x 5.5 mm x 6	G) Screw/Metal  M 6.5 x 12 mm x 50	H) Screw/Metal  M 3.5 x 13 mm x 8	I) Screw/Metal  M 3.5 x 13 mm x 16	J) Stopper Clamp/Plastic  x 4
K) Foam Pad/Spon  19 x 33 x 2 mm x 4	L) Wedge/Plastic  9 x 14 x 10 mm x 10	M) Screw/Metal  M 3.5 x 15.5 mm x 10	N) Key/Metal  L 4 x 1	O) Anti-Deflection Bar/Metal  x 1
P) Shelf Pin/Metal  ∅ 5 x 15 mm x 8	Q) Screw Cup/Plastic  ∅ 15 mm x 8	R) Screw/Metal  M 7 x 50 mm x 8	S) Screwdriver (Not Include)  x 1	

Components:



1	Top Board	x1	2	Bottom Board	x1	3	Side Board Left	x1	4	Side Board Right	x1
5	Assembly Leg	x2	6	Support 2	x2	7	Centre Board Left	x1	8	Centre Board Right	x1
9	Centre Board	x2	10	Adjustable	x2	11	Frame Door	x2	12	Back Board	x1

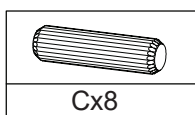
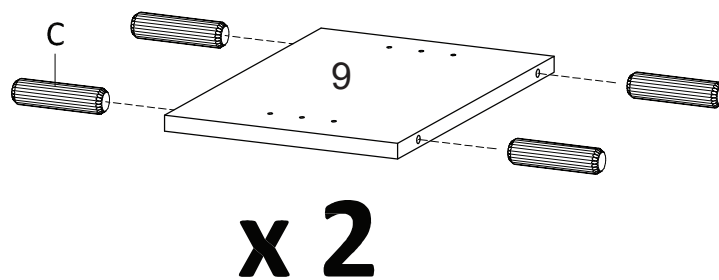
STEP 1:



Hardware required.
Screwdriver not included

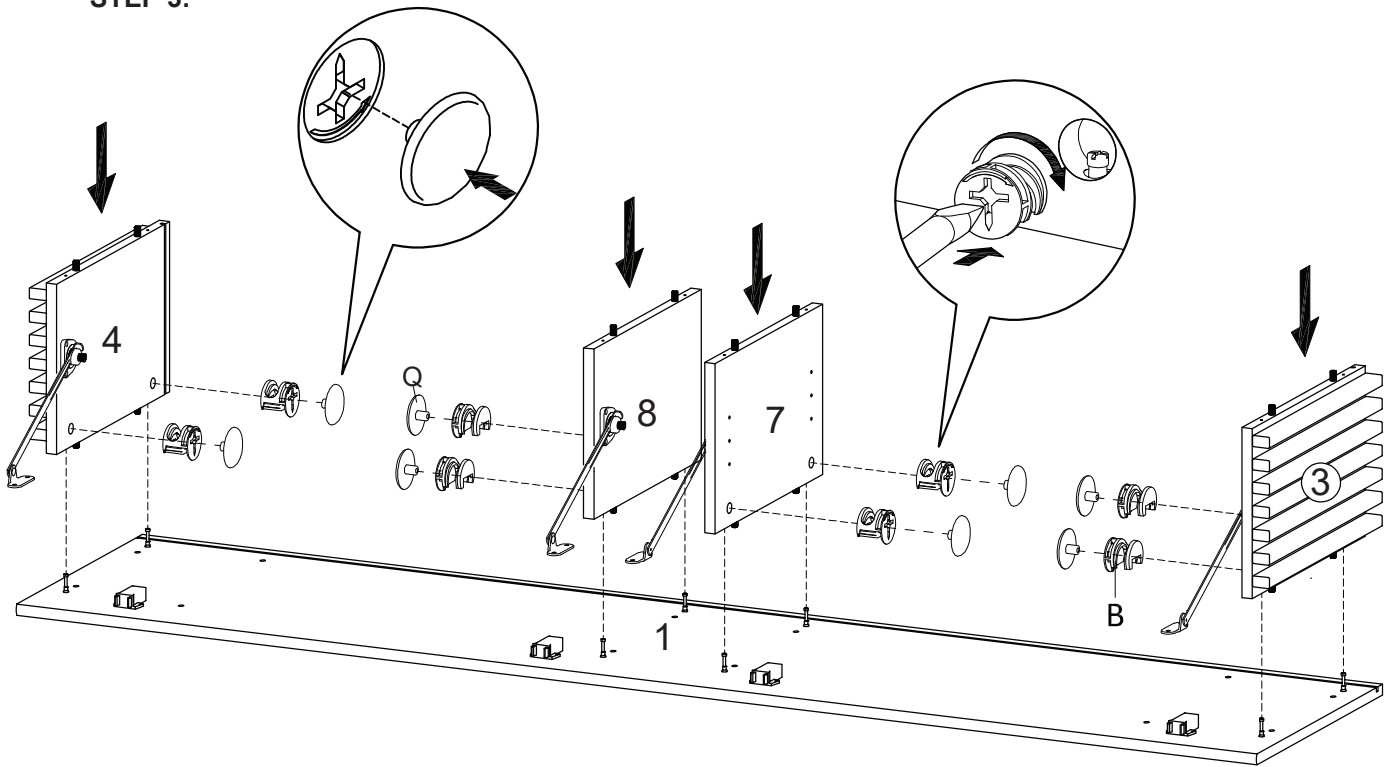
						
Ax8	Cx16	Ex4	Gx12	Ix8	Jx4	Sx1




STEP 2:



Hardware required.

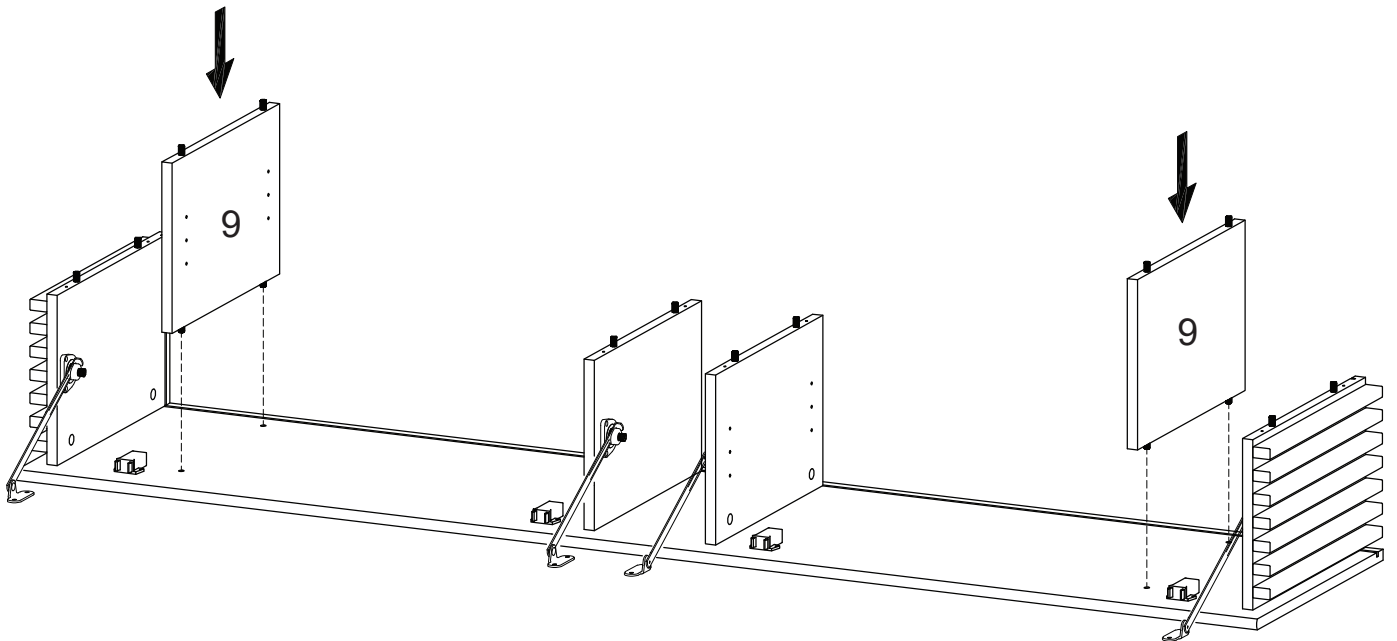
STEP 3:



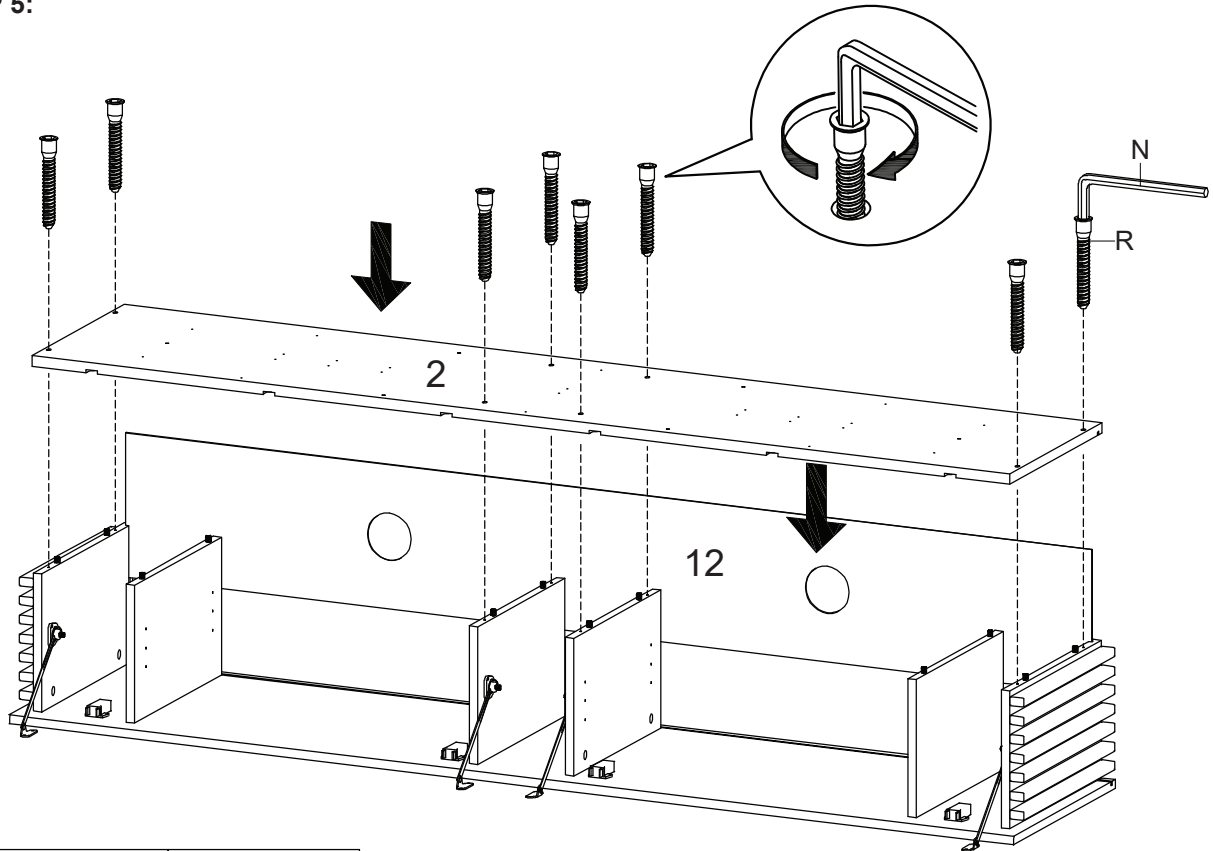
		
Bx8	Qx8	Sx1

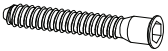

Hardware required.
Screwdriver not included

STEP 4:



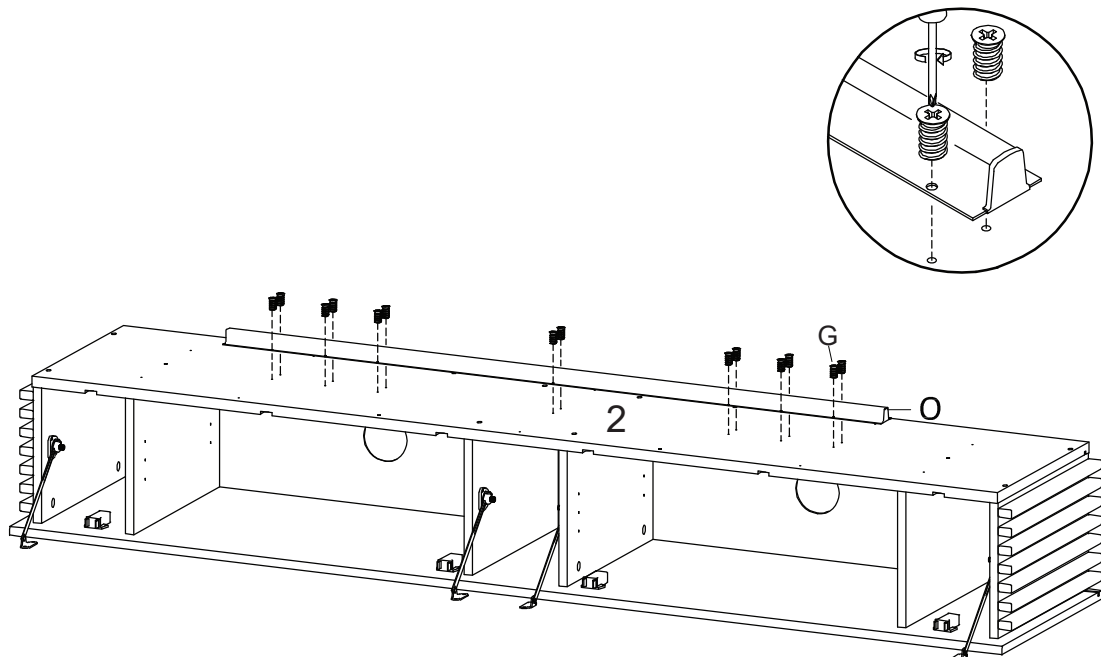
STEP 5:

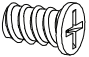




	
Rx8	Nx1

Hardware required.

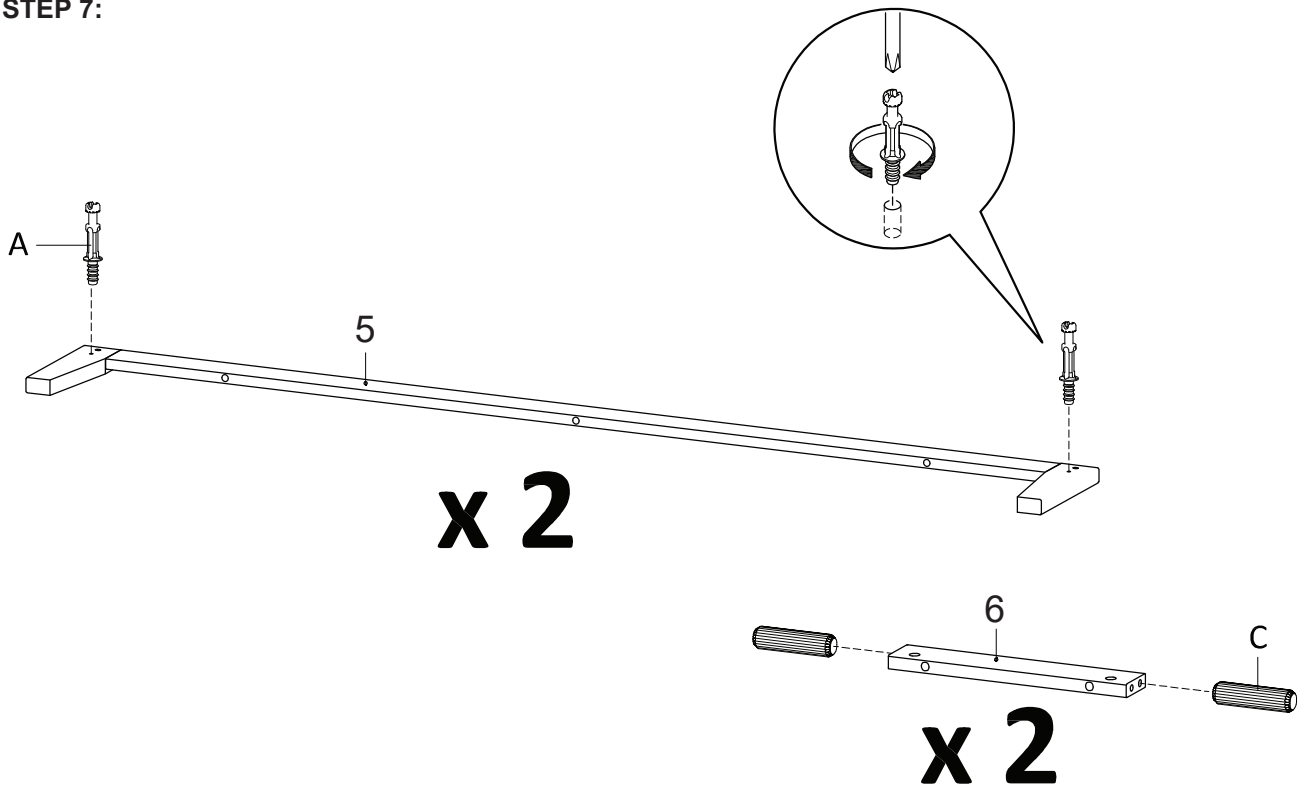
STEP 6:


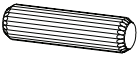
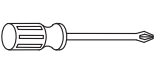


		
Gx14	Ox1	Sx1

Hardware required.
Screwdriver not included

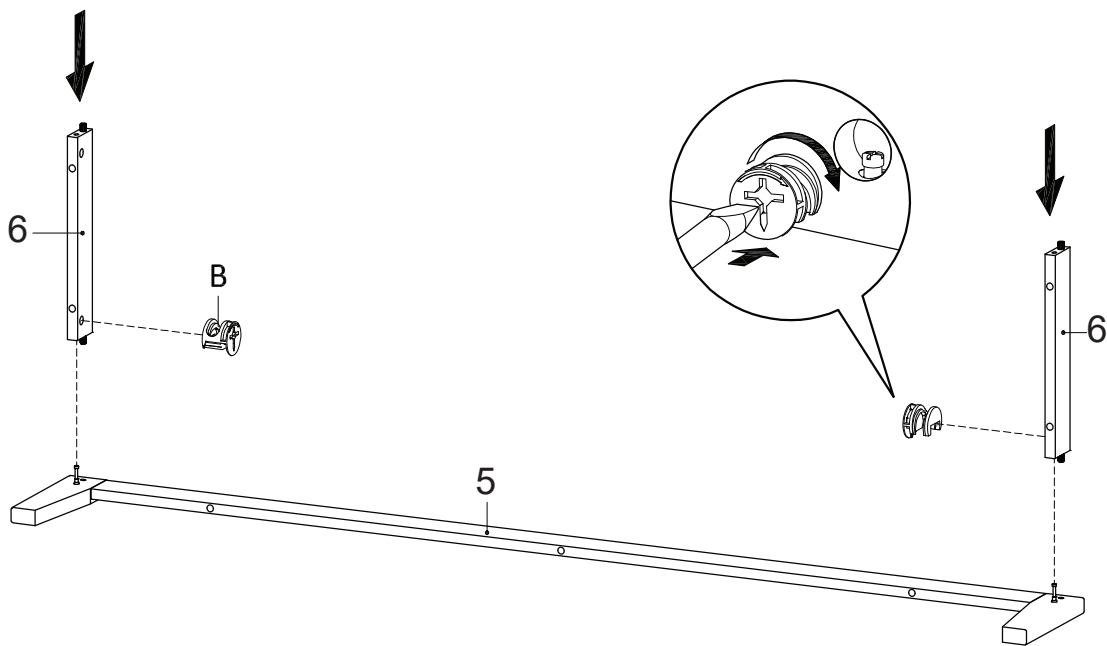
STEP 7:


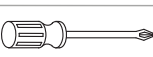


		
Ax4	Cx4	Sx1

Hardware required.
Screwdriver not included

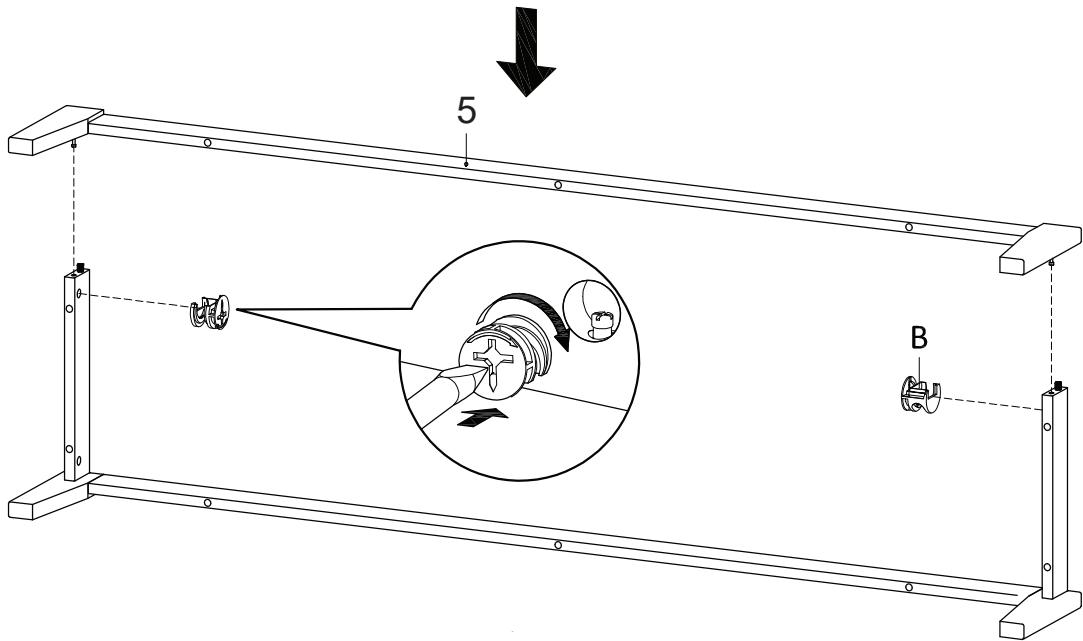
STEP 8:





	
Bx2	Sx1

Hardware required.
Screwdriver not included

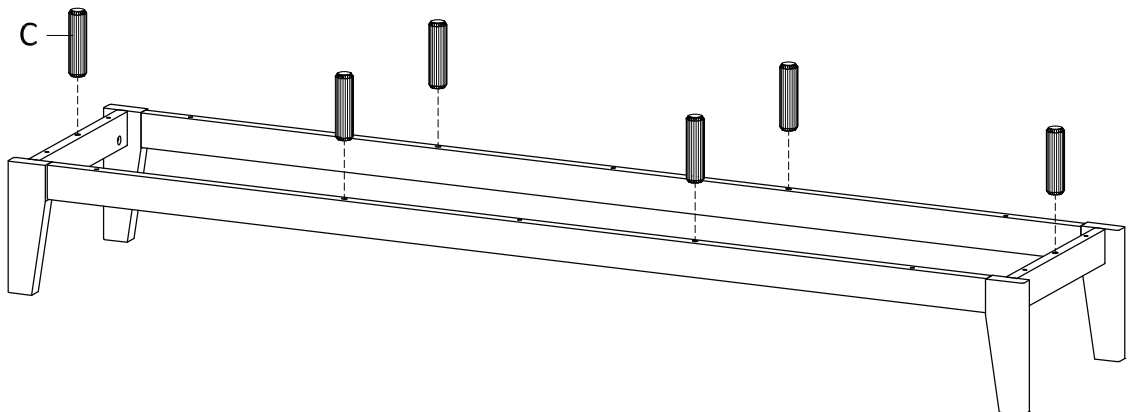
STEP 9:

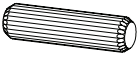


	
Bx2	Sx1

Hardware required.
Screwdriver not included

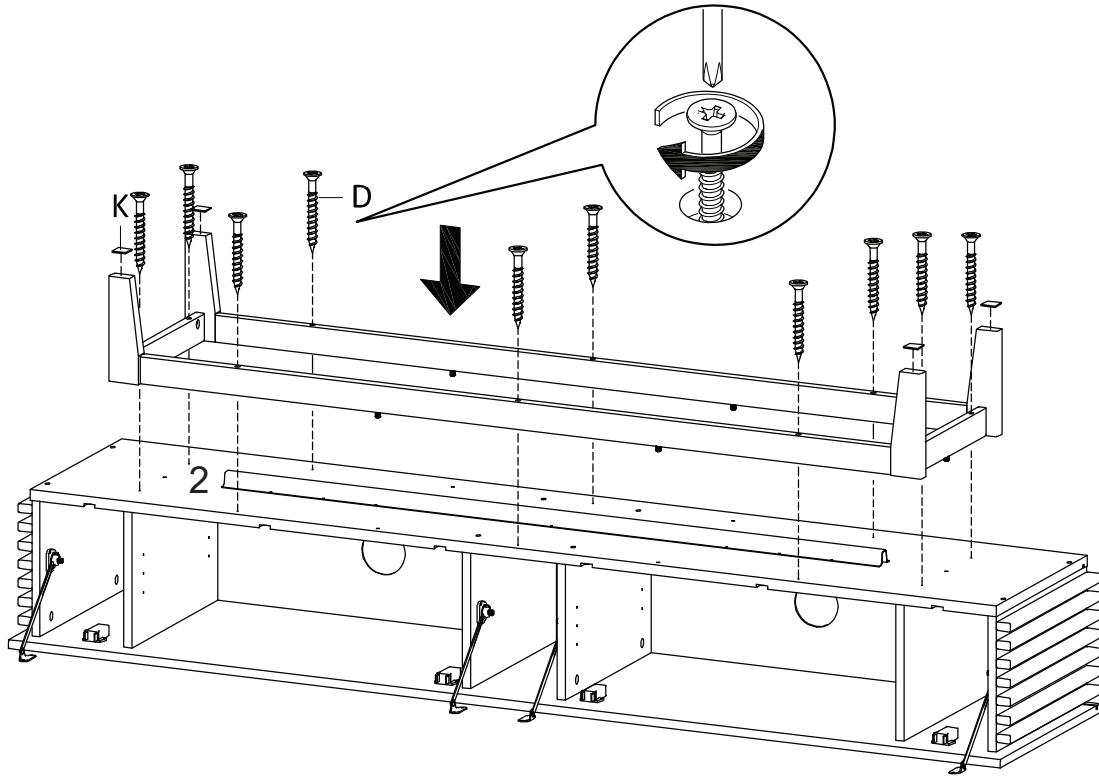
STEP 10:

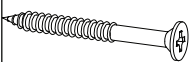

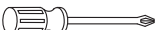



Cx6

Hardware required.

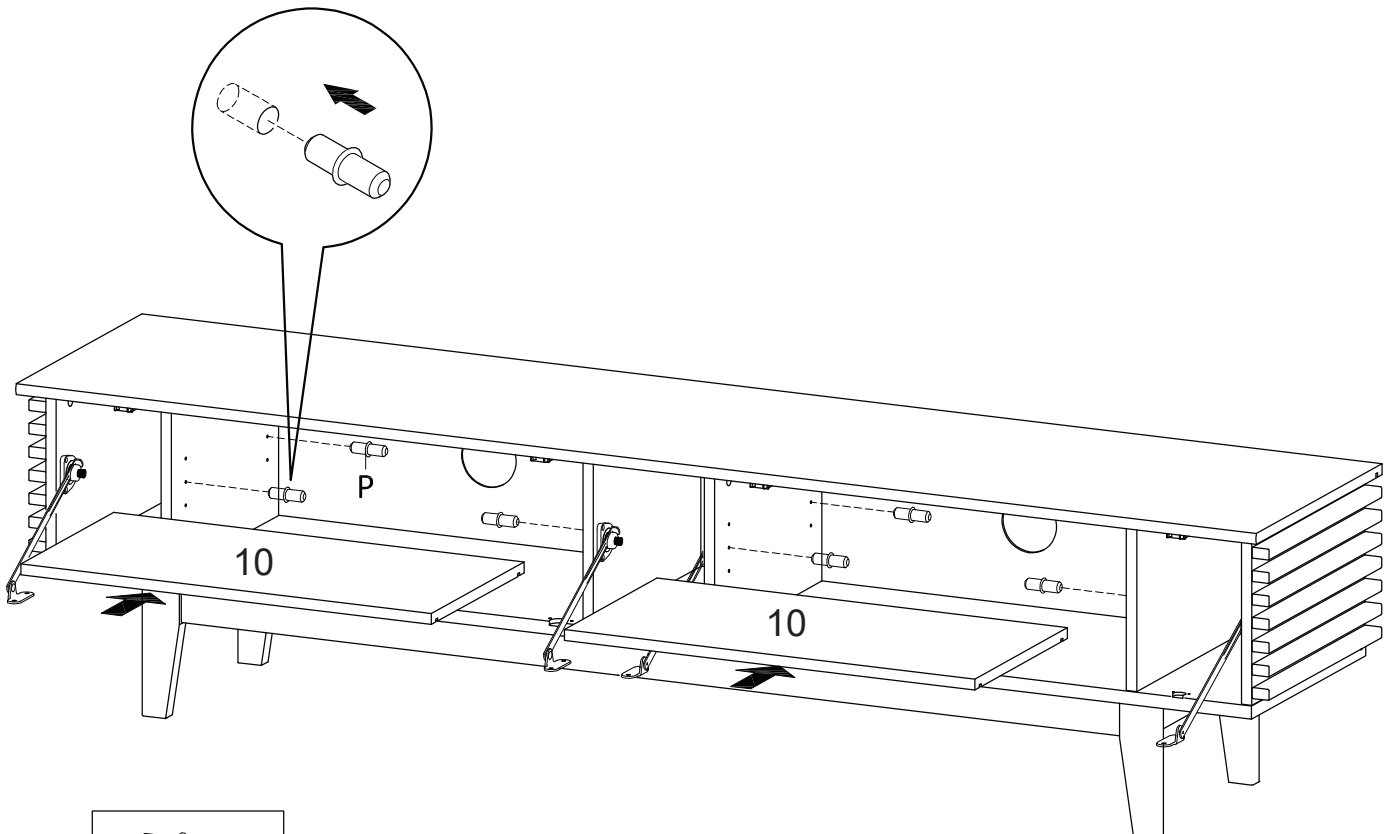
STEP 11:

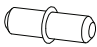


		
Dx10	Kx4	Sx1

Hardware required.
Screwdriver not included

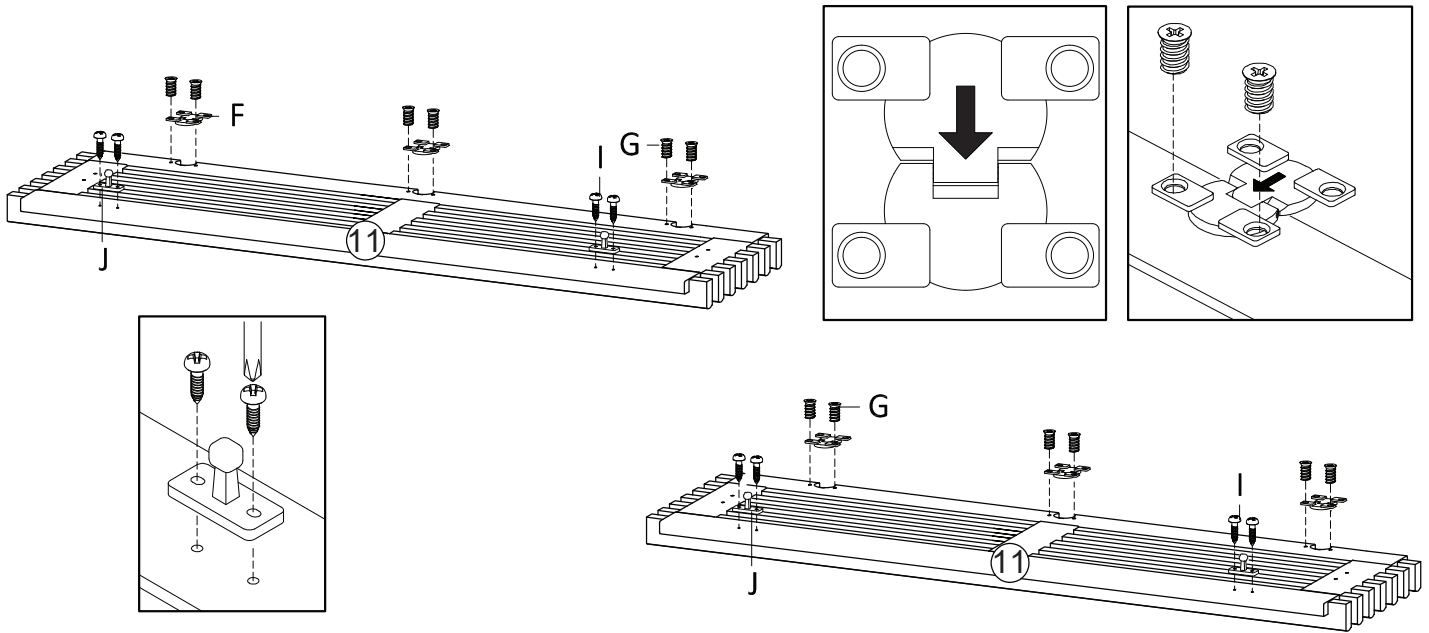
STEP 12:




Px8

Hardware required.

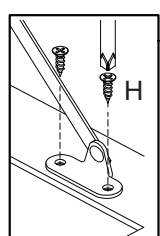
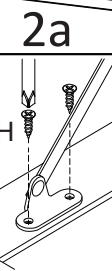
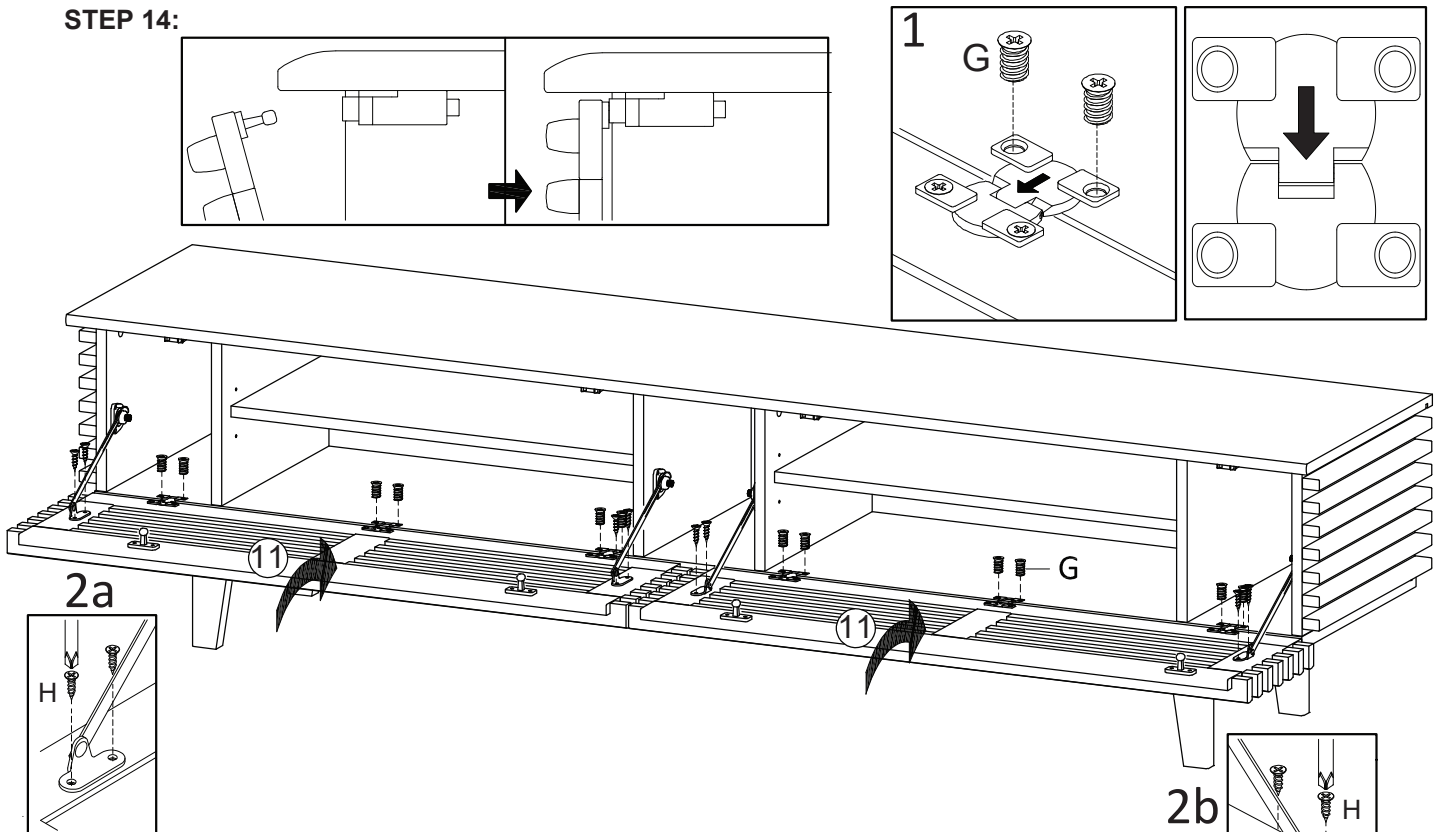
STEP 13:



Fx6	Gx12	Ix8	Jx4	Sx1

Hardware required.
Screwdriver not included

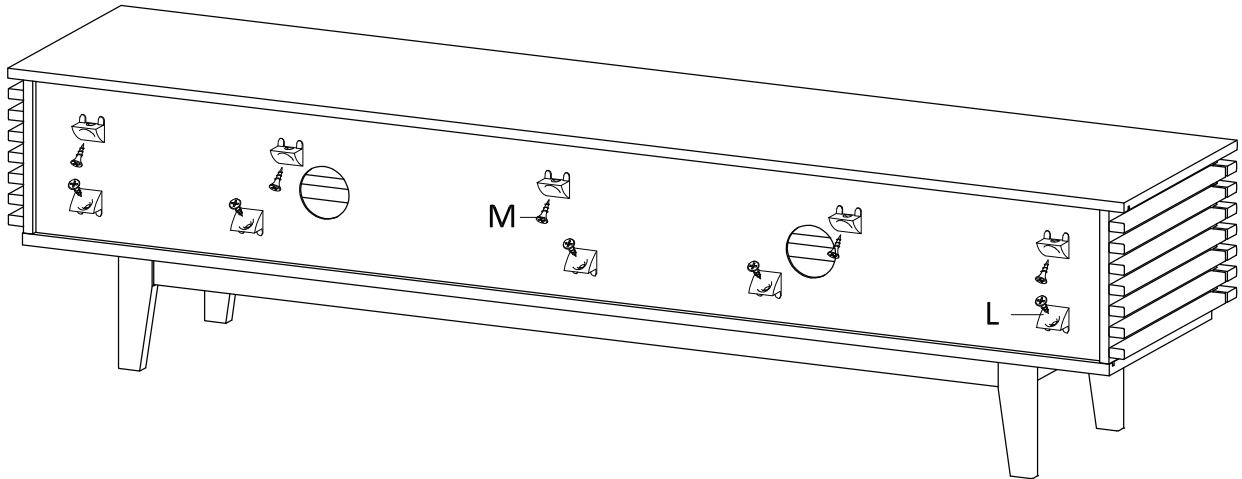
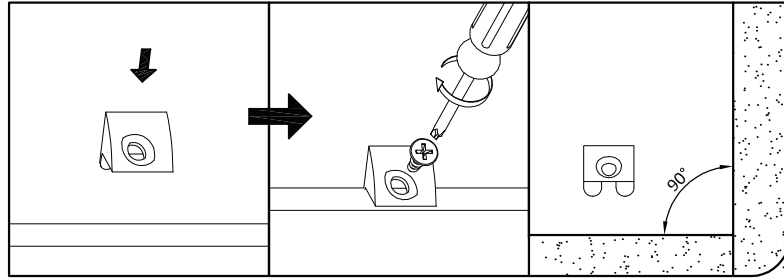
STEP 14:



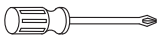


Gx12	Hx8	Sx1

Hardware required.
Screwdriver not included

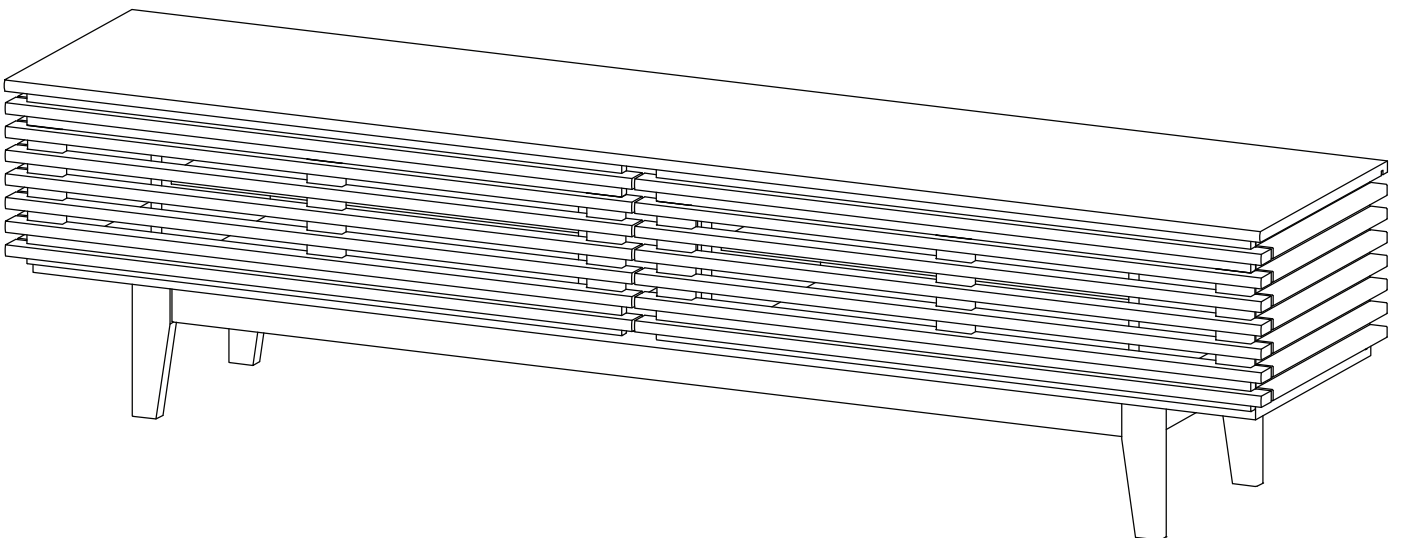
STEP 15:



		
Lx10	Mx10	Sx1

Hardware required.
Screwdriver not included

STEP 16:



Assembly is complete. The TV Stand is ready to enjoy now!