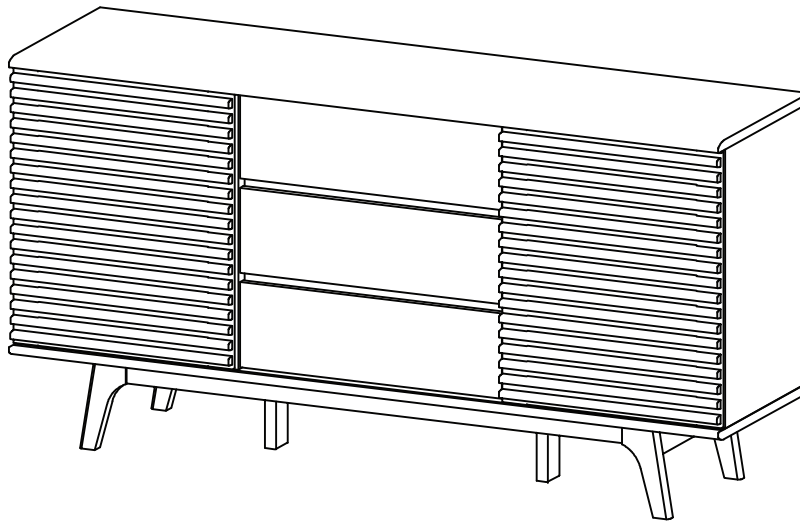


Thank you for purchasing the **MODWAY SIDEBORD!**

Before you start, here are some helpful advice:

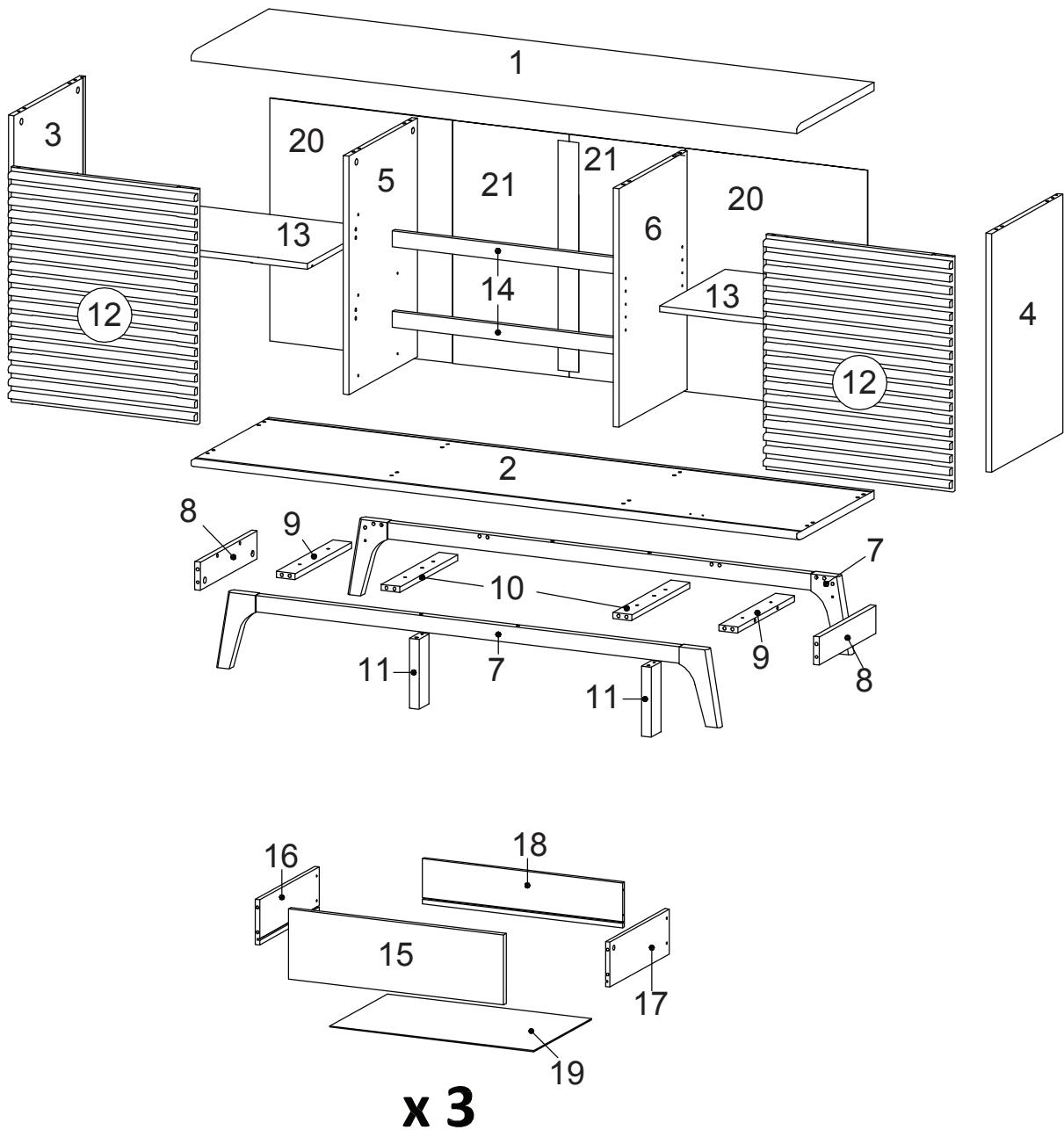
1. We suggest you spend a short time reading through this leaflet and then follow the simple step-by-step instructions.
2. Owing to the size and weight of the Sideboard, we recommend that it is assembled by two adults, on a carpeted or padded area, in the room that it is intended for. Approximate assembly time: 60 minutes.
3. Please do not use any tools other than those provided or recommended in these instructions.
4. Please do not throw away any of the packaging or instructions until you have checked all the components and hardware and the furniture is fully assembled.
5. Assemble all components loosely until advised to tighten. Depending on use, it may be necessary to tighten the components from time to time, so please save the tools that have been provided.
6. Please keep all pieces out of reach of children.



Hardware :

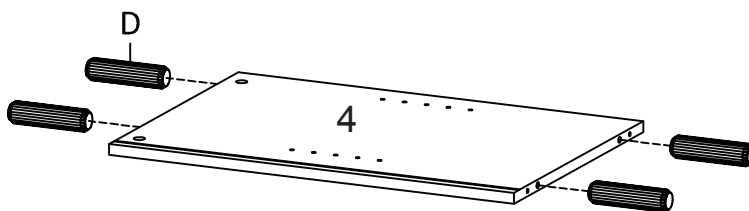
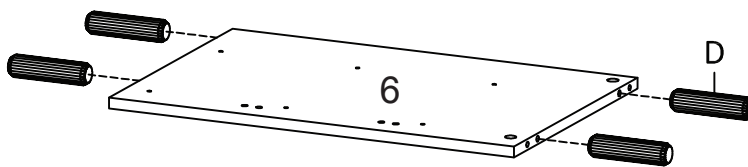
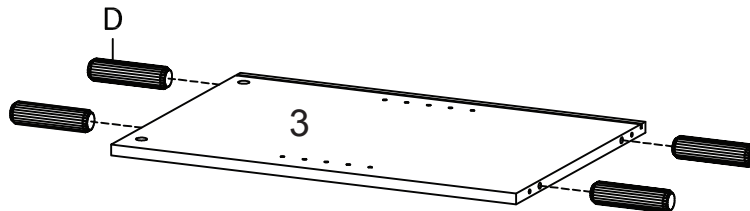
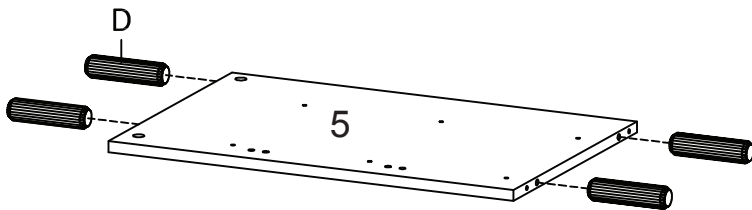
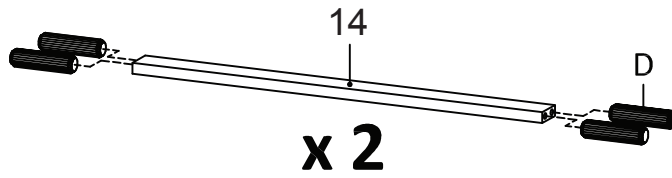
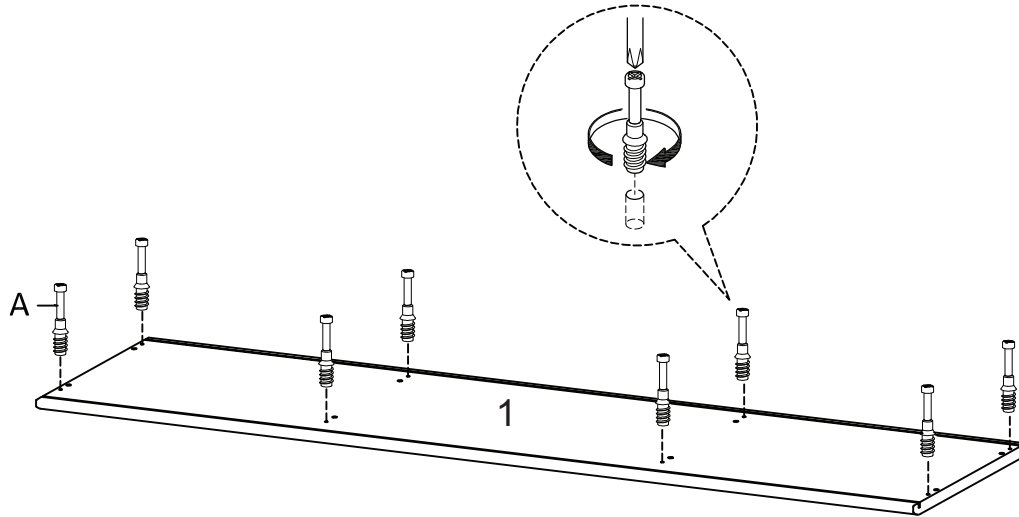
A) Cambolt/Metal \varnothing 6 x 35 mm x 18	B) CamLock Big/Metal \varnothing 15 mm x 12	C) CamLock Small/Metal \varnothing 12 mm x 6	D) Dowel Big/Wood \varnothing 8 x 30 mm x 54	E) Rell/Metal 350 mm x 3
F) Screw/Metal M 6.5 x 10.5 mm x 12	G) Screw/Metal M 3.5 x 13 mm x 18	H) Buffer/Rubber \varnothing 8 mm x 2	I) Screw/Metal M 7 x 50 mm x 10	J) Key/Metal L 4 x 1
K) Wedge/Plastic 9 x 14 x 10 mm x 12	L) Screw/Metal M 3.5 x 15.5 mm x 12	M) Foam Pad/Spon 25 x 25 x 2 mm x 6	N) Screw Cup/Plastic \varnothing 15 mm x 4	O) Dowel Small/Wood \varnothing 6 x 30 mm x 6
P) Screw/Metal M 8 x 39 mm x 12	Q) Stoper/Plastic 42 x 14 x 8 mm x 4	R) Shelf Pin/Metal \varnothing 5 x 15 mm x 8	S) Screw/Metal M 12 x 35 mm x 8	T) Anti-tipping strap/Polyester 200 mm x 2
U) Pin Sliding Top/Plastic \varnothing 8 x 19 mm x 4	V) Pin Sliding Bottom/Plastic \varnothing 8 x 16 mm x 4	W) Screw/Metal M 3 x 17 mm x 4	X) Back Panel Holder/Metal 19 x 14.5 x 4 mm x 4	Y) Ring/Metal \varnothing 20 mm x 2
Z) Screw/Metal M 3 x 15.5 mm x 2	AA) x 1 Screwdriver (Not Include)			

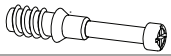

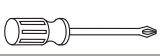
Components:



1	Top Board	x1	2	Bottom Board	x1	3	Side Board Left	x1	4	Side Board Right	x1
5	Centre Board Left	x1	6	Centre Board Right	x1	7	Assembly Leg	x2	8	Support 2	x2
9	Support 3	x2	10	Support 4	x2	11	Leg	x2	12	Frame Door	x2
13	Adjustable Shelf	x2	14	Front Skirt	x2	15	Front Drawer	x3	16	Side Drawer Left	x3
17	Side Drawer Right	x3	18	Back Drawer	x3	19	Bottom Drawer	x2	20	Back Board 1	x2
21	Back Board 2	x2									

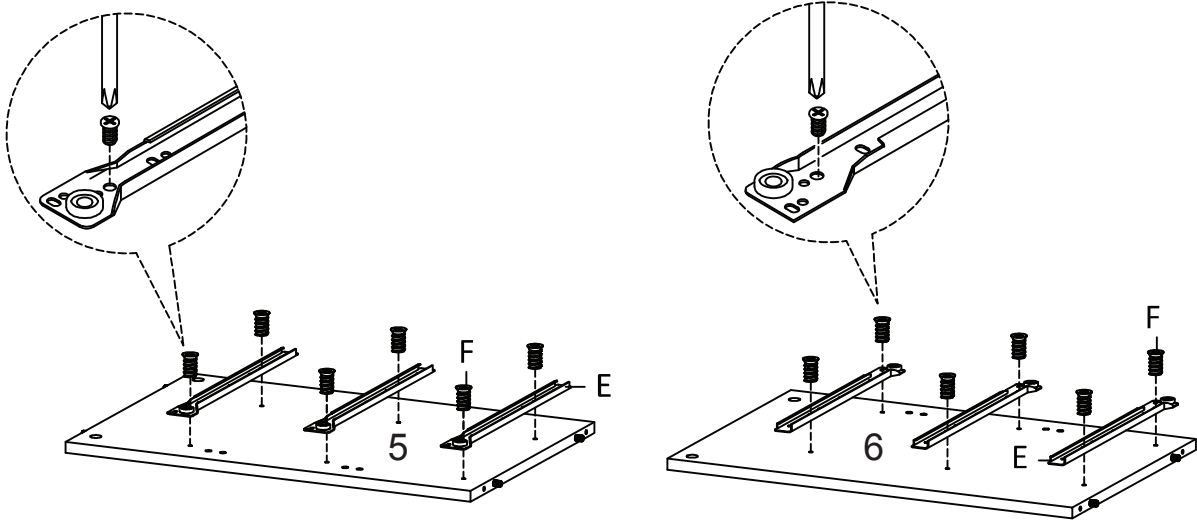
STEP 1:



		
Ax8	Dx24	AAx1

Hardware required.
Screwdriver not included

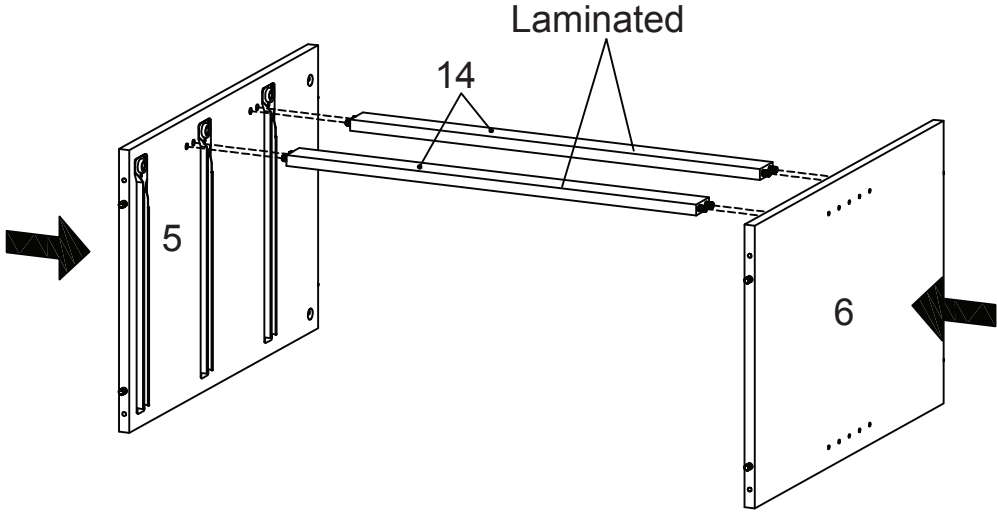
STEP 2:



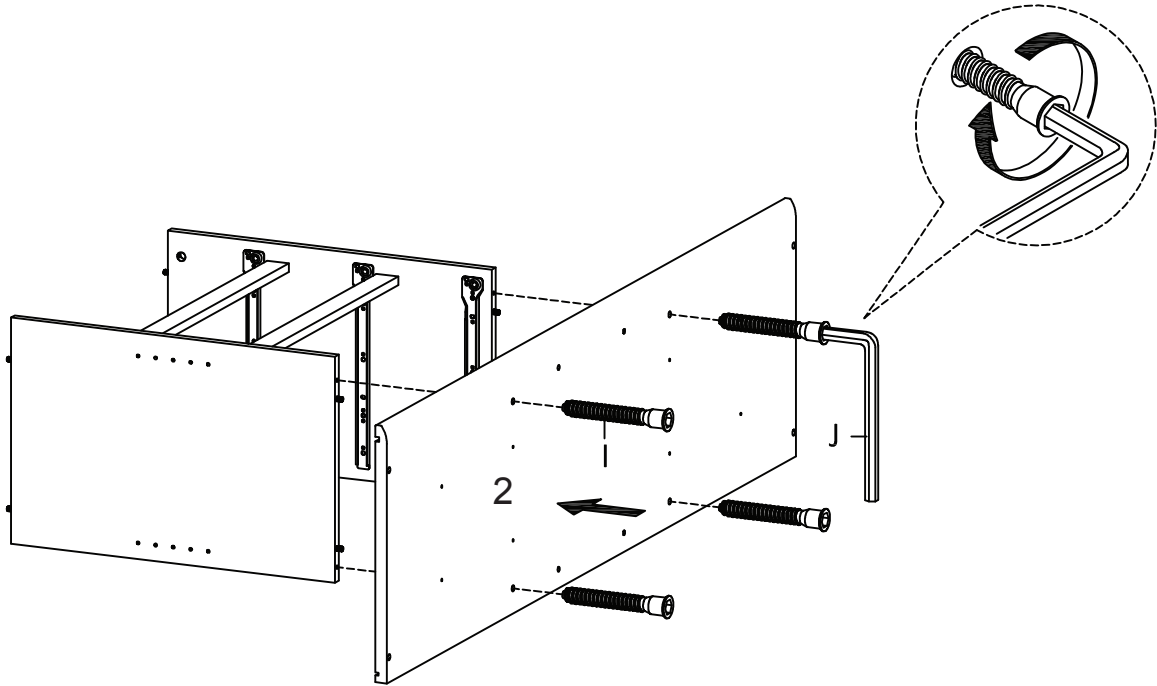
Ex3	Fx12	AAx1



Hardware required. Screwdriver not included

STEP 3:



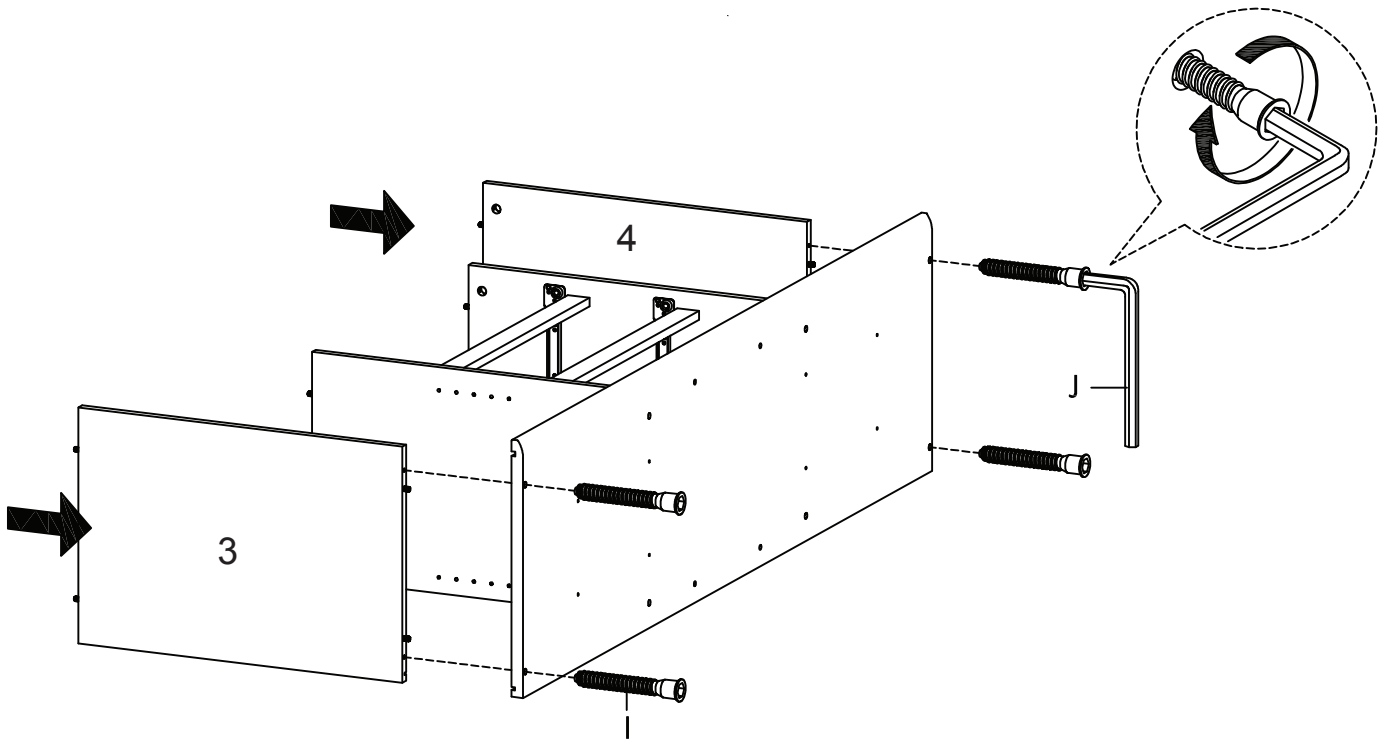
STEP 4:





	
Ix4	Jx1

Hardware required

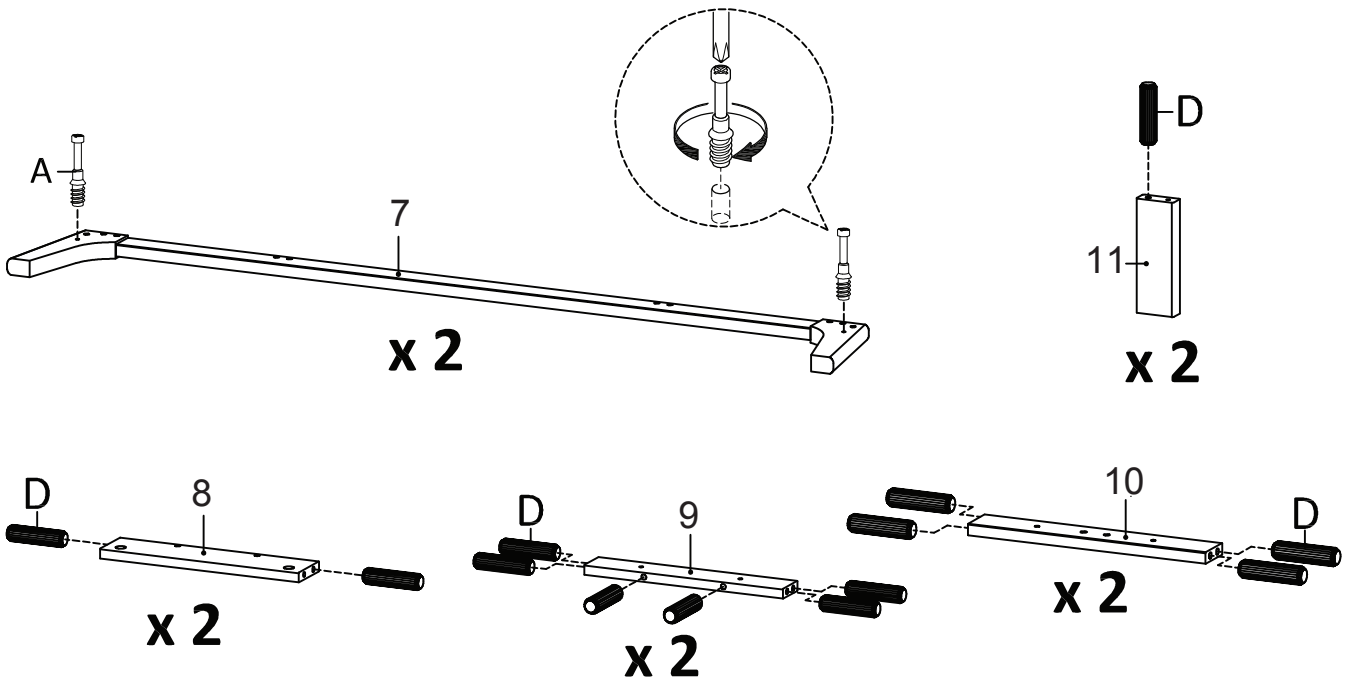
STEP 5:

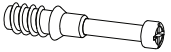
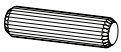
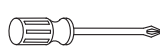


	
Ix4	Jx1

Hardware required

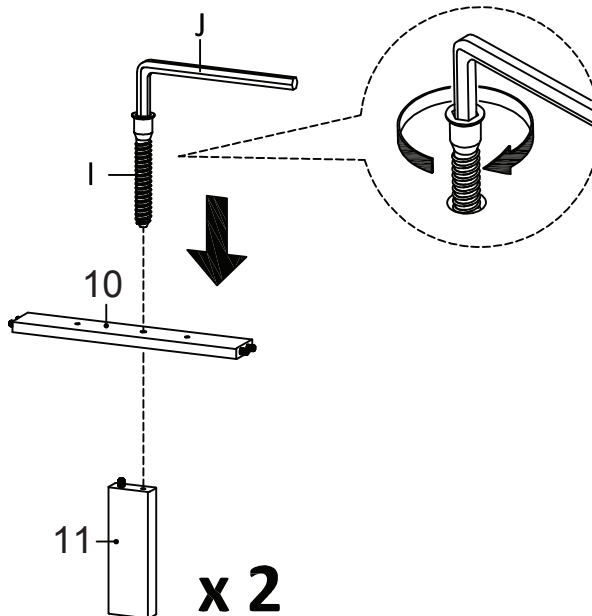
STEP 6:





		
Ax4	Dx26	AAx1

Hardware required. Screwdriver not included

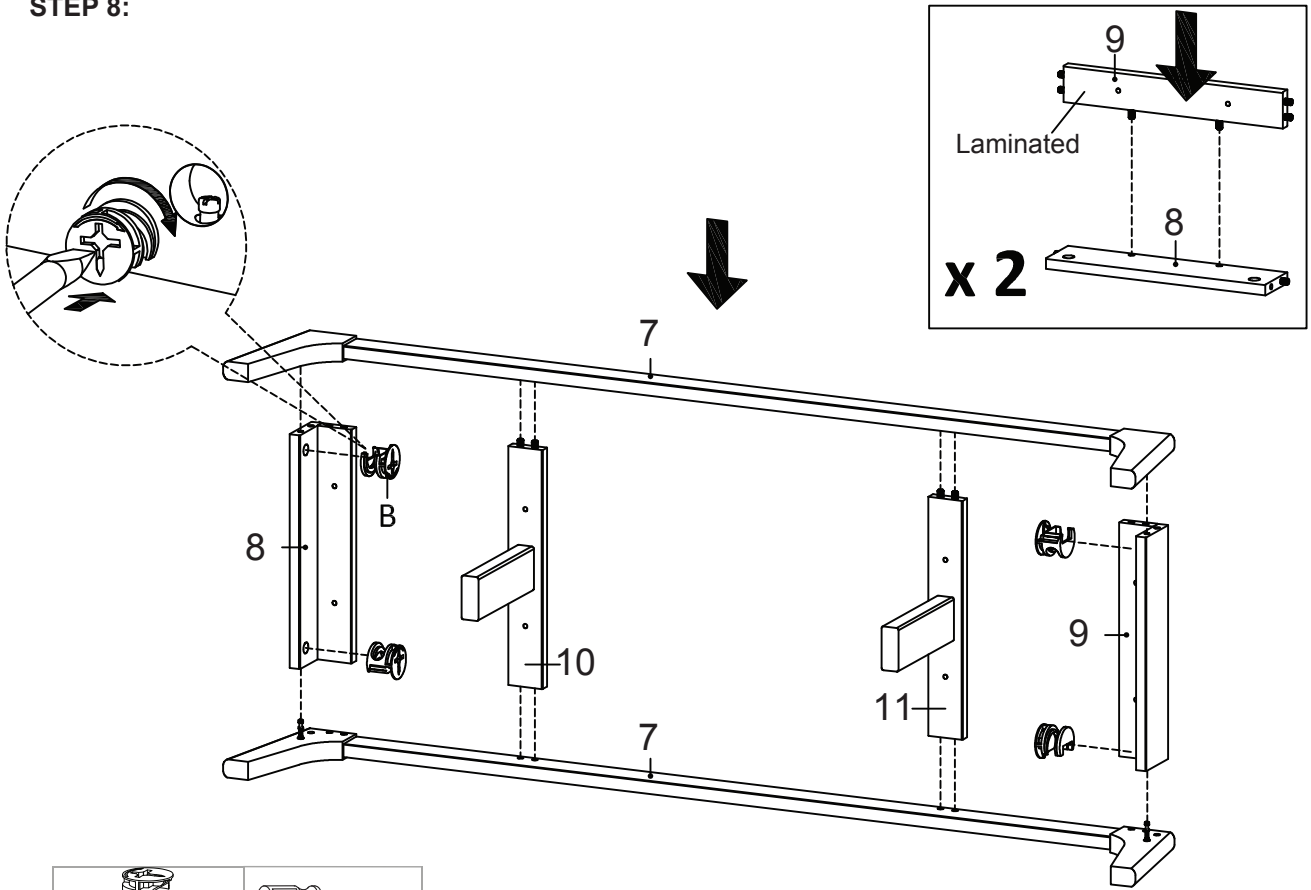
STEP 7:





	
Ix2	Jx1

Hardware required

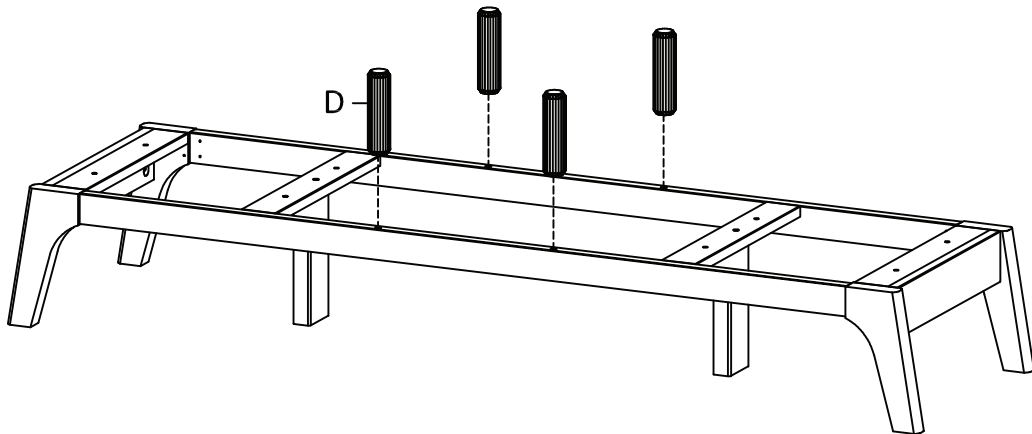
STEP 8:

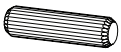


	
Bx4	AAx1

Hardware required. Screwdriver not included

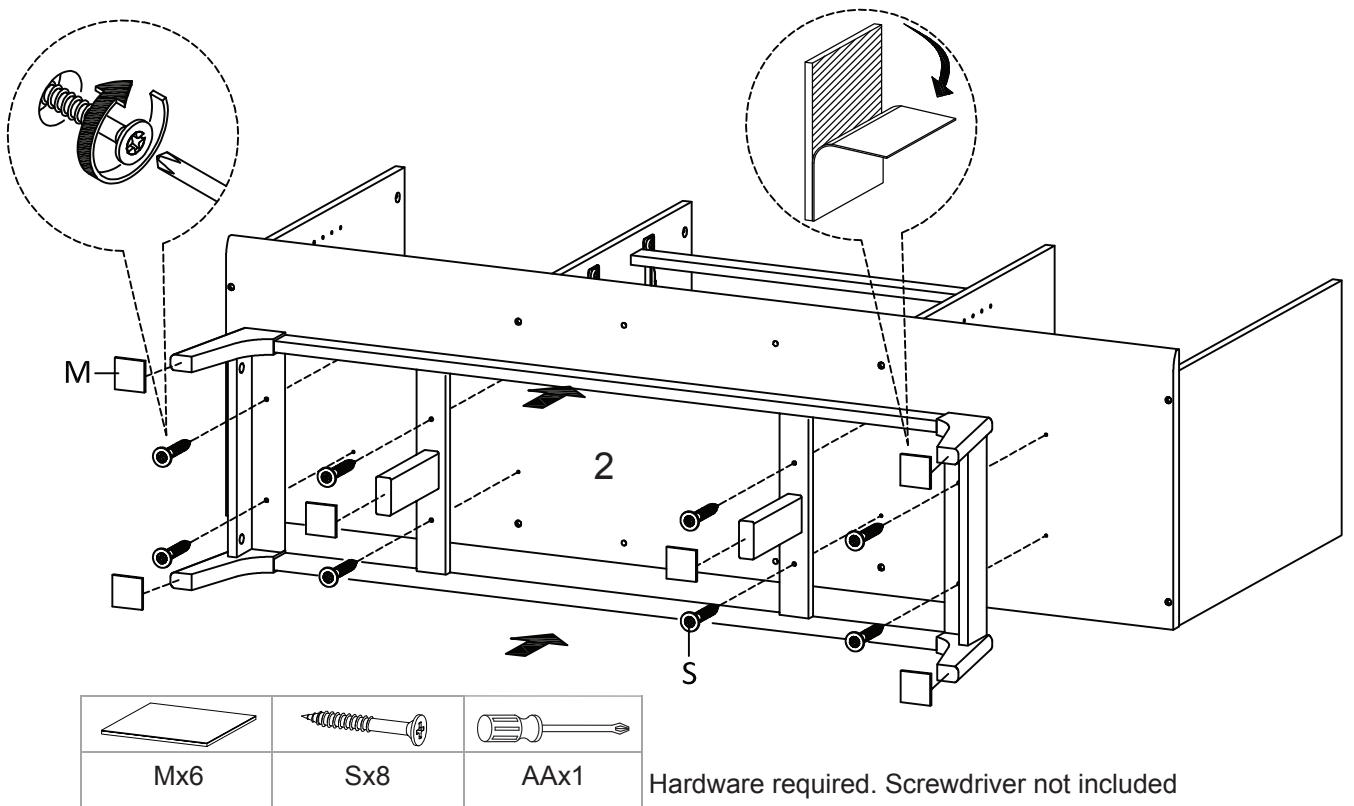
STEP 9:



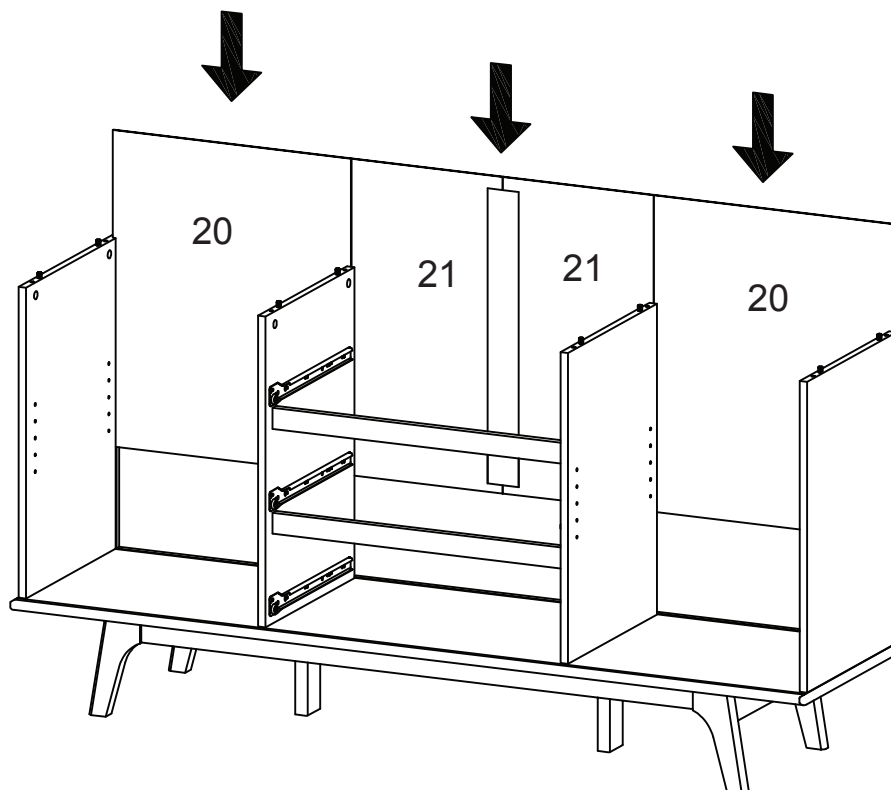

Dx4

Hardware required.

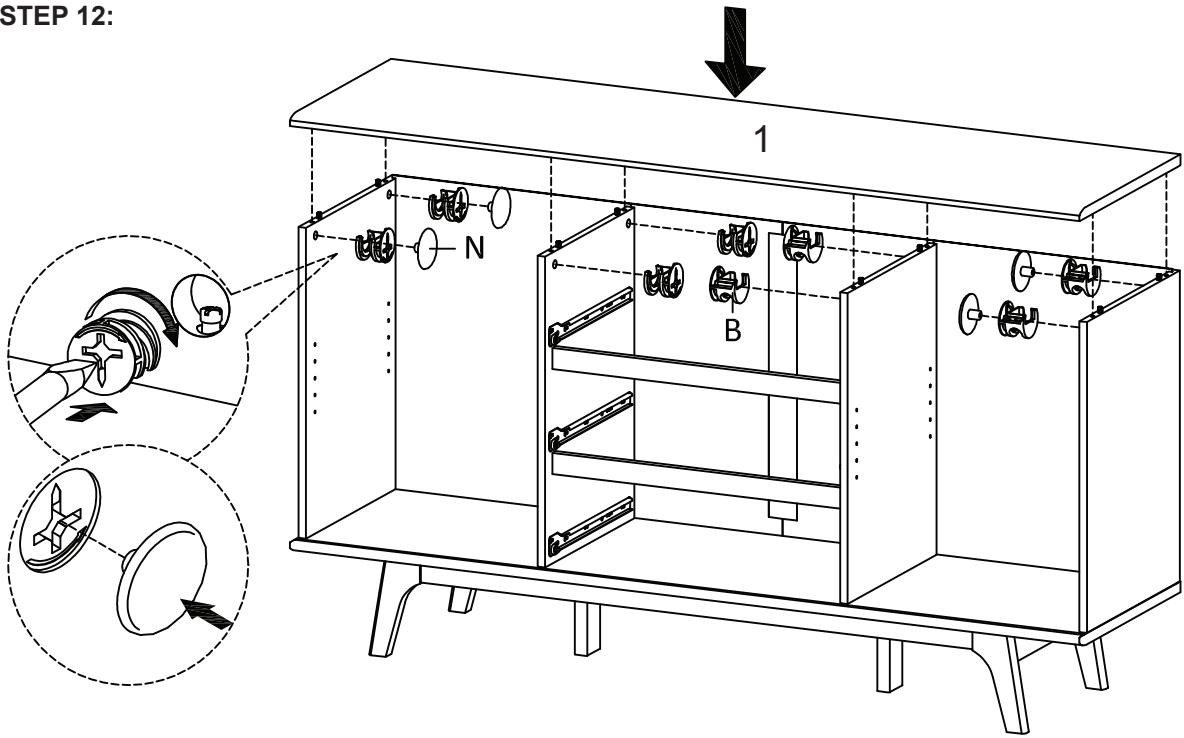
STEP 10:



STEP 11:



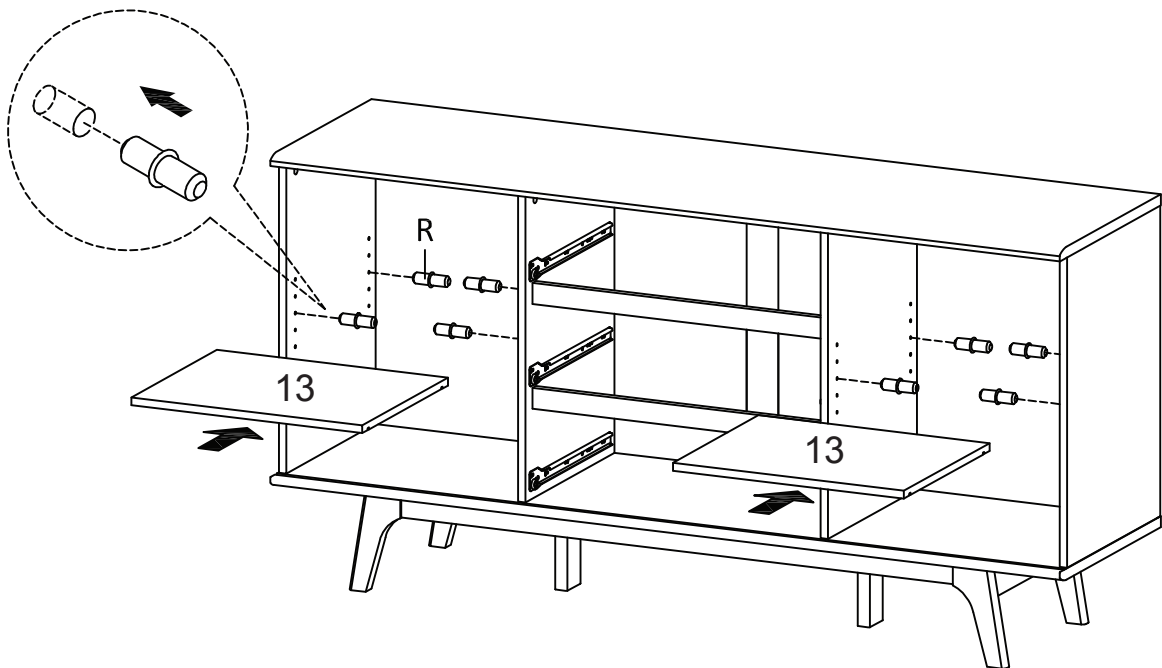
STEP 12:



Bx8	Nx4	AAx1

Hardware required. Screwdriver not included

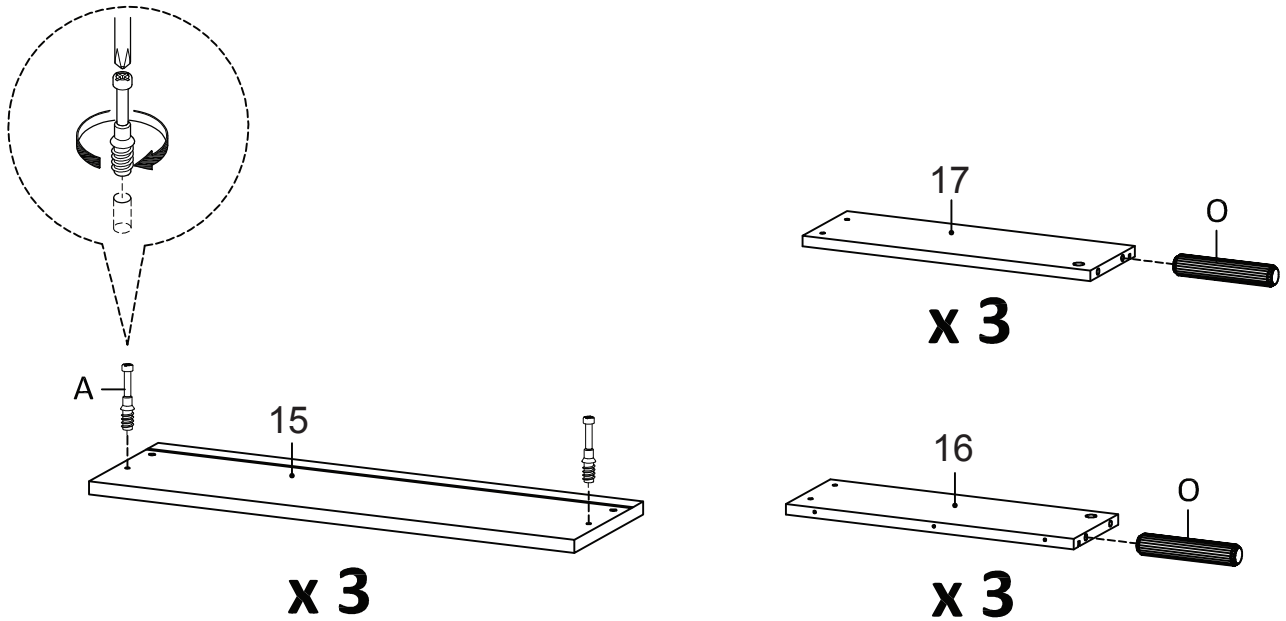
STEP 13:



Rx8

Hardware required.

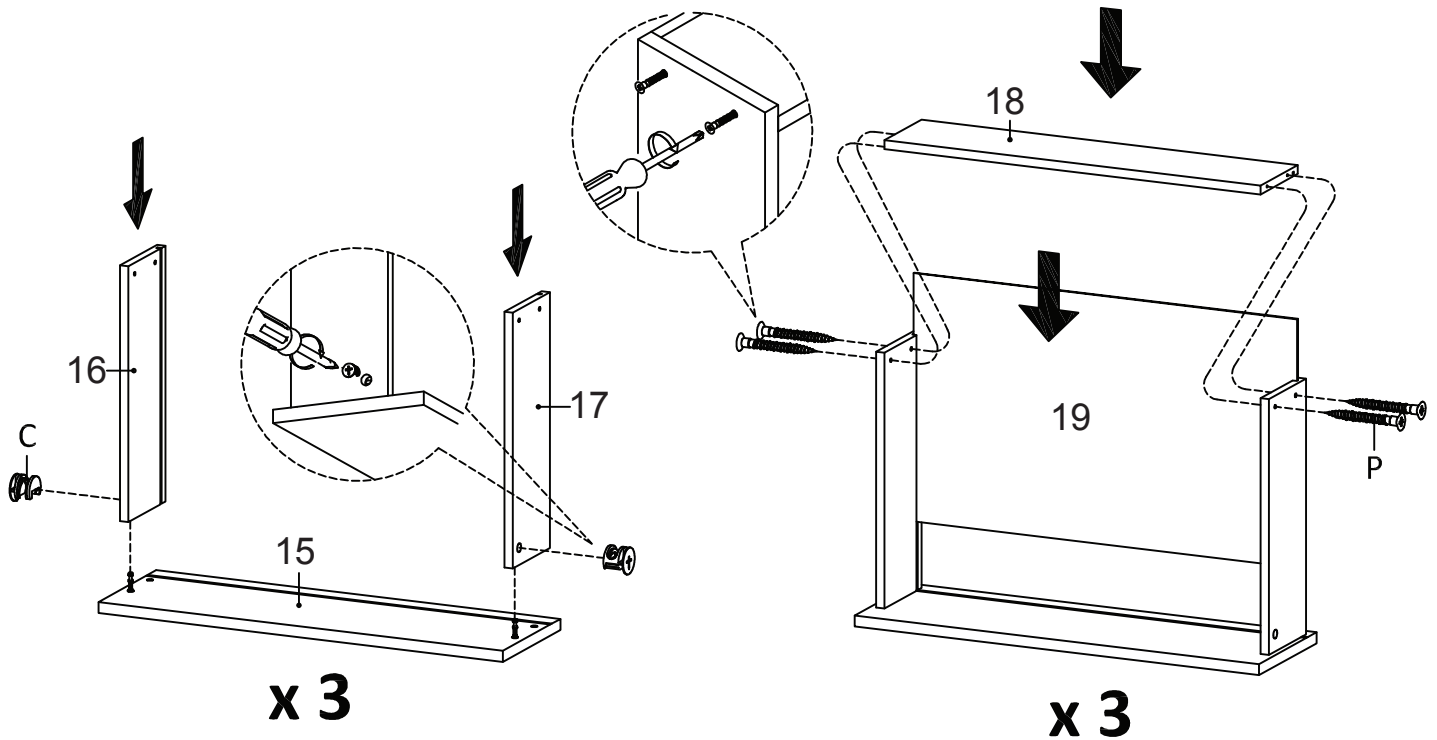
STEP 14:



Ax6	Ox6	AAx1

Hardware required. Screwdriver not included

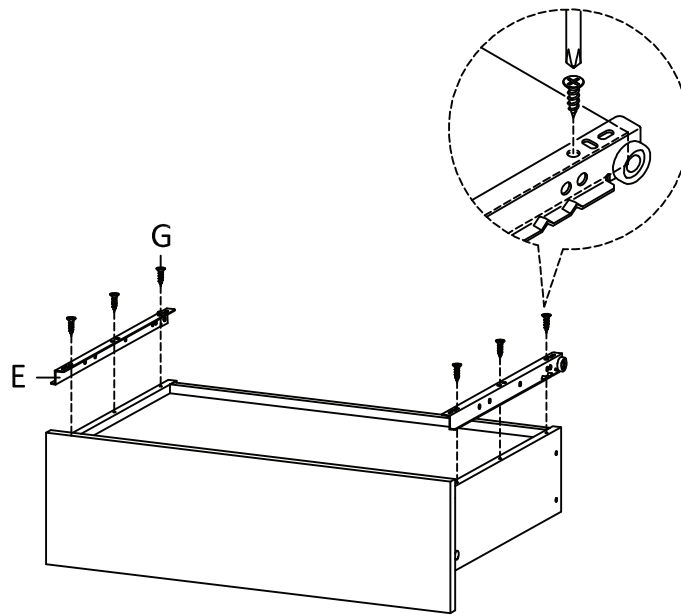
STEP 15:



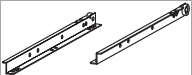


Cx6	Px12	AAx1

Hardware required. Screwdriver not included

STEP 16:

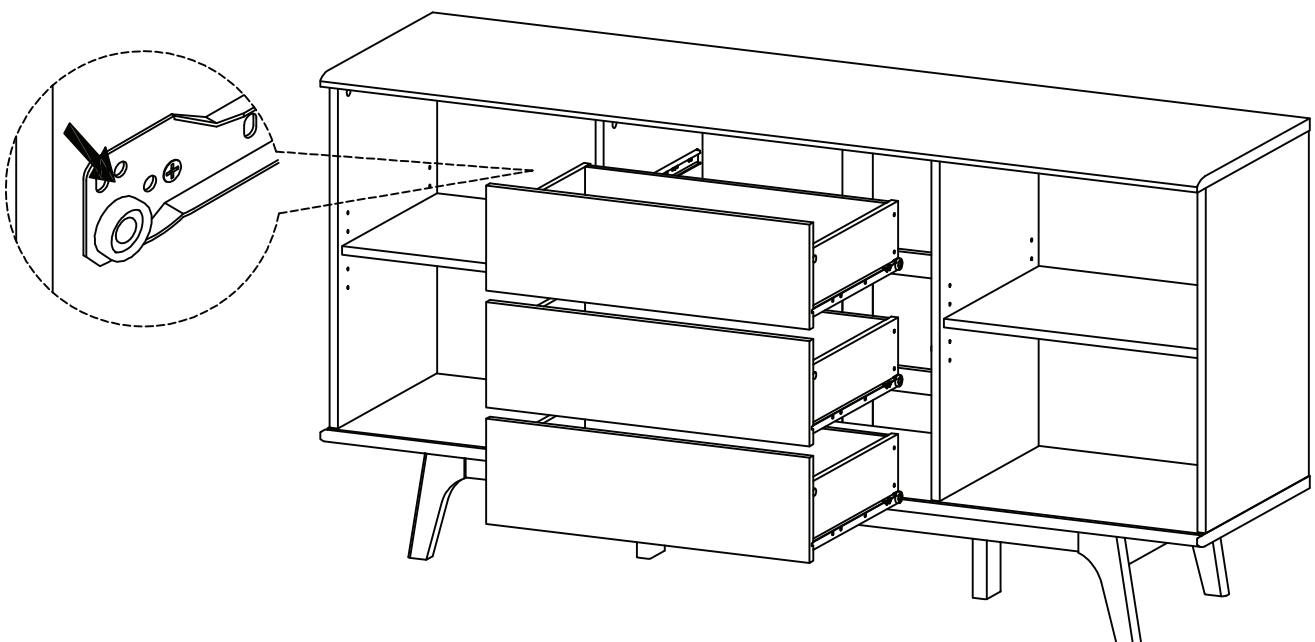


x 3

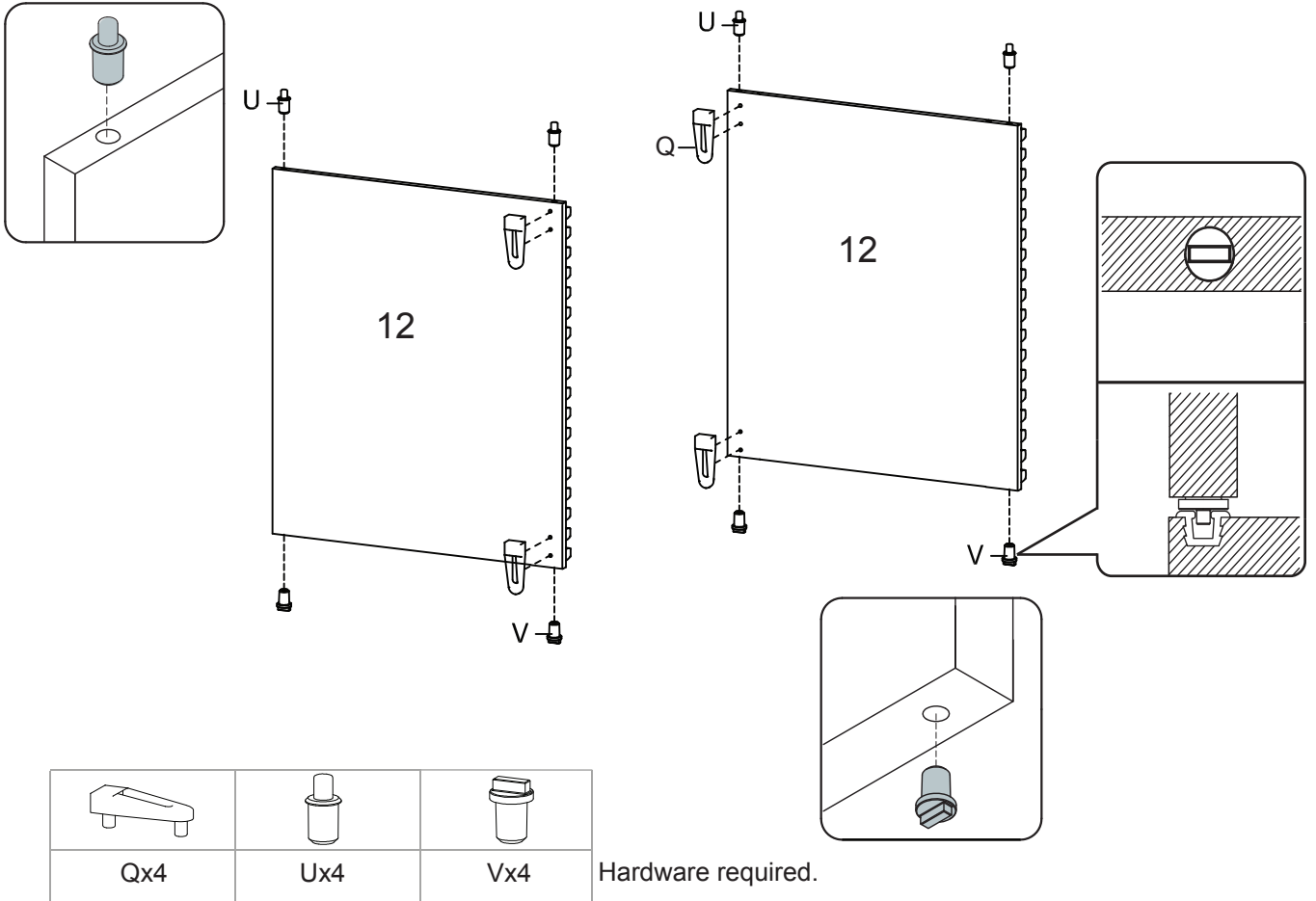
		
Ex3	Gx18	AAx1

Hardware required. Screwdriver not included

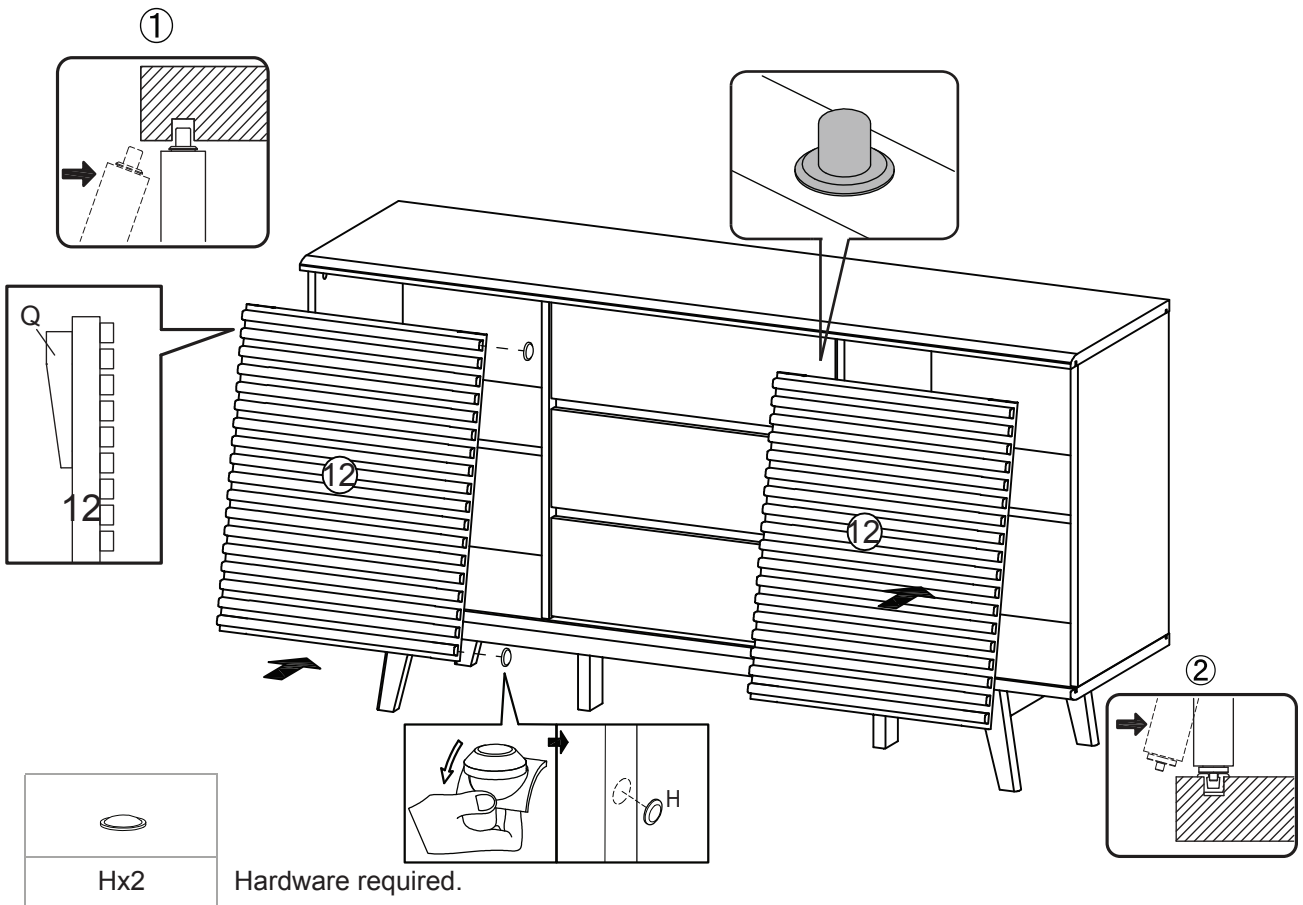
STEP 17:



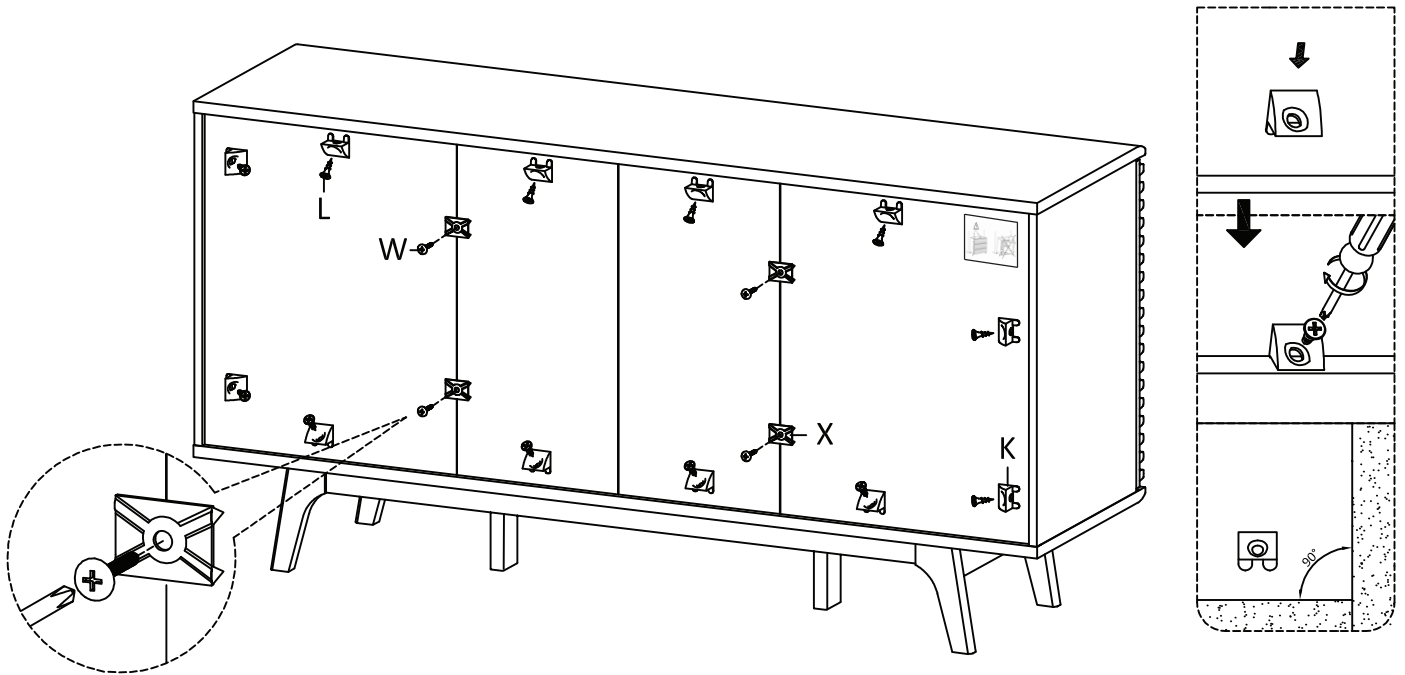
STEP 18:



STEP 19:

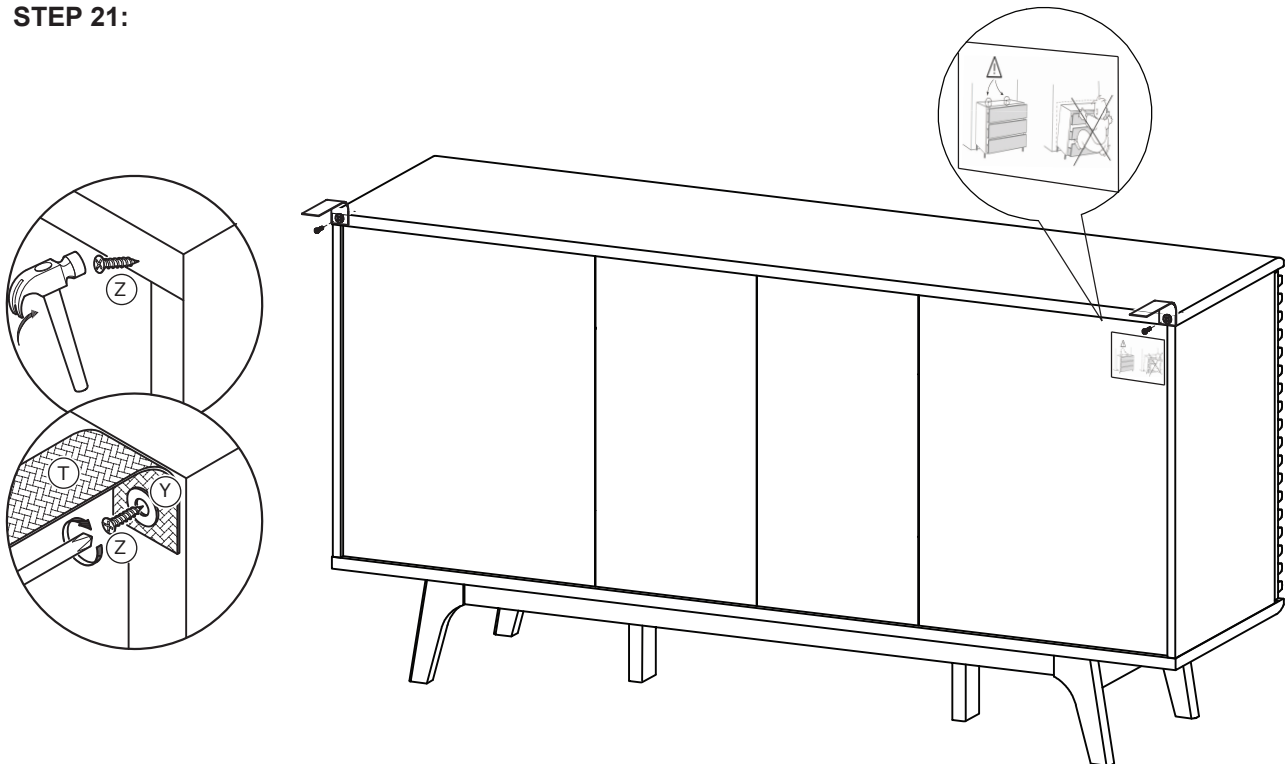


STEP 20:



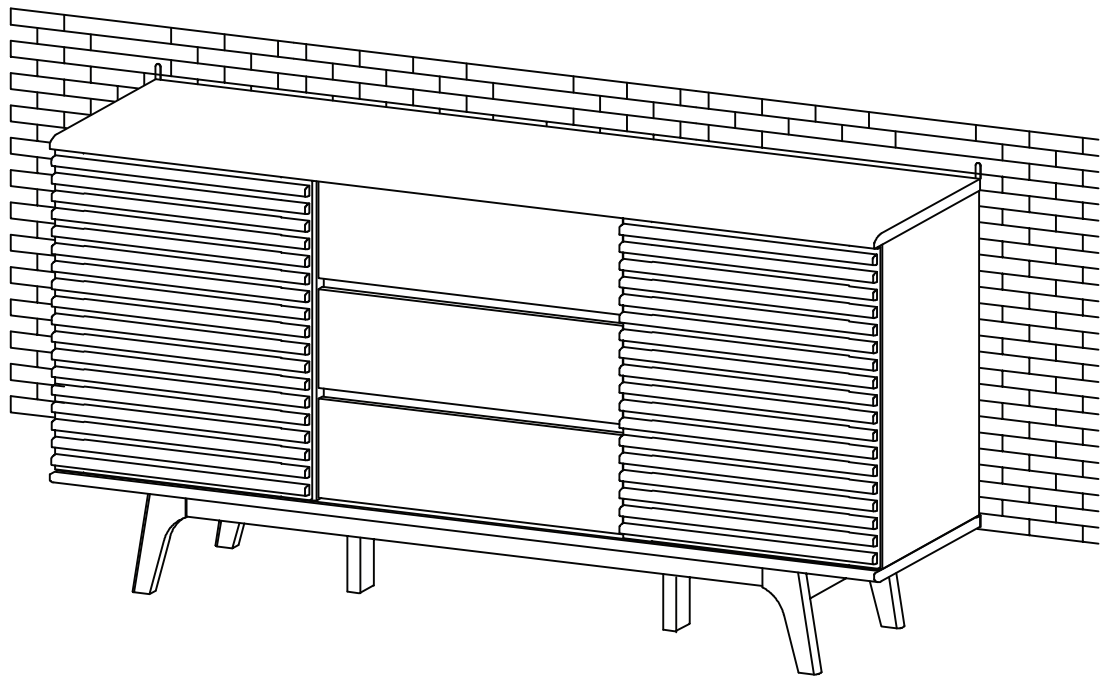
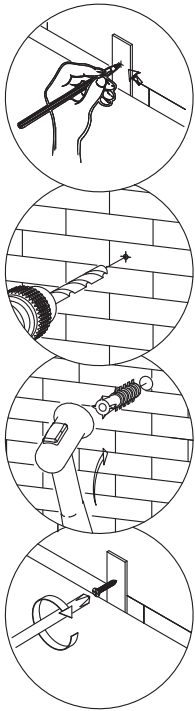
					Hardware required. Screwdriver not included
Kx12	Lx12	Wx4	Xx4	AAx1	

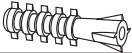


STEP 21:



				Hardware required. Screwdriver not included
Tx2	Yx2	Zx2	AAx1	

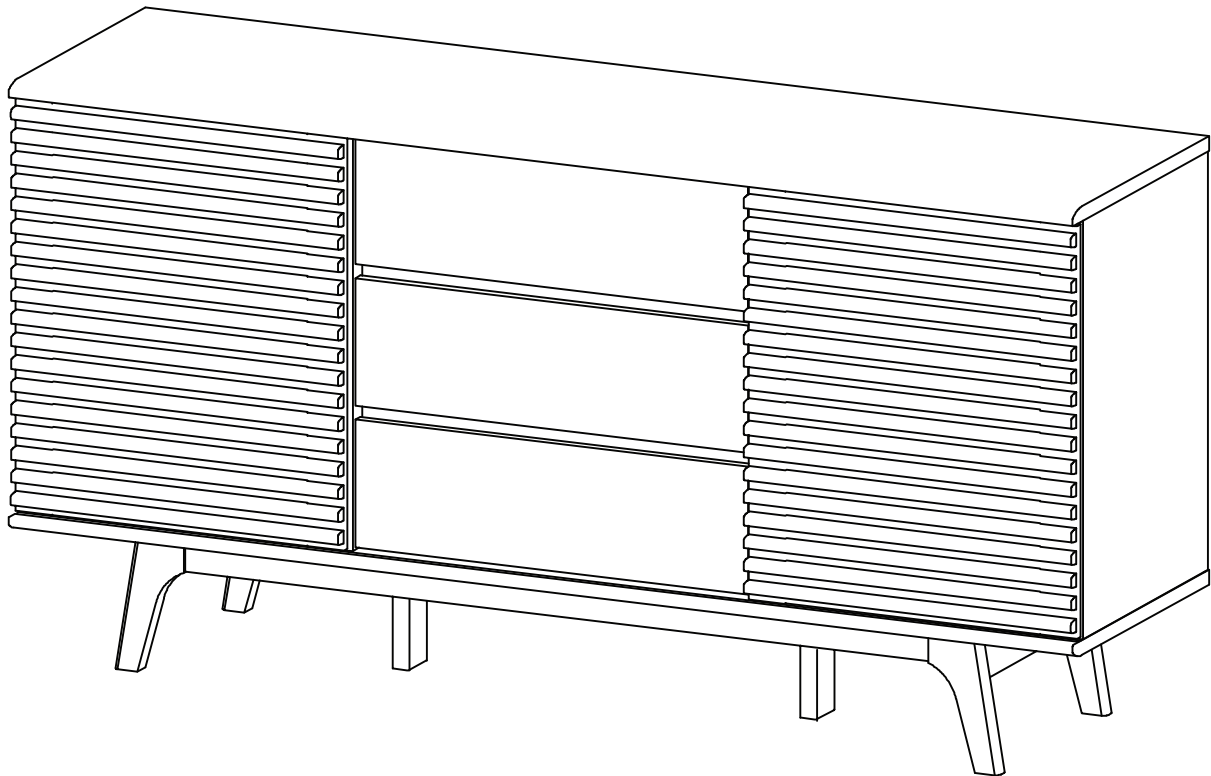
STEP 22:



		
FISHER PLASTIC x2	3.5x25mm x2	Yx1

Hardware and Screwdriver not included

STEP 23:



Assembly is complete. The Sideboard is ready to enjoy now!