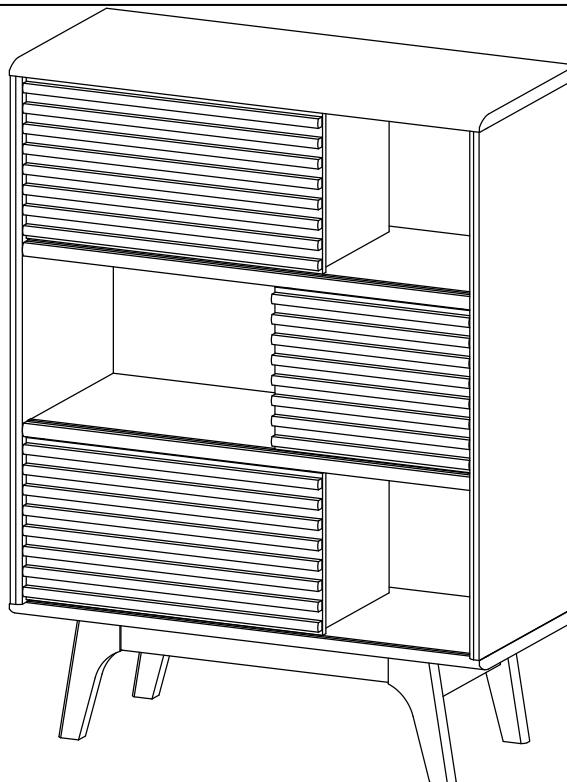













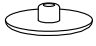




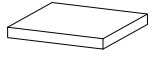
Thank you for purchasing the **MODWAY CABINET!**

Before you start, here are some helpful advice:

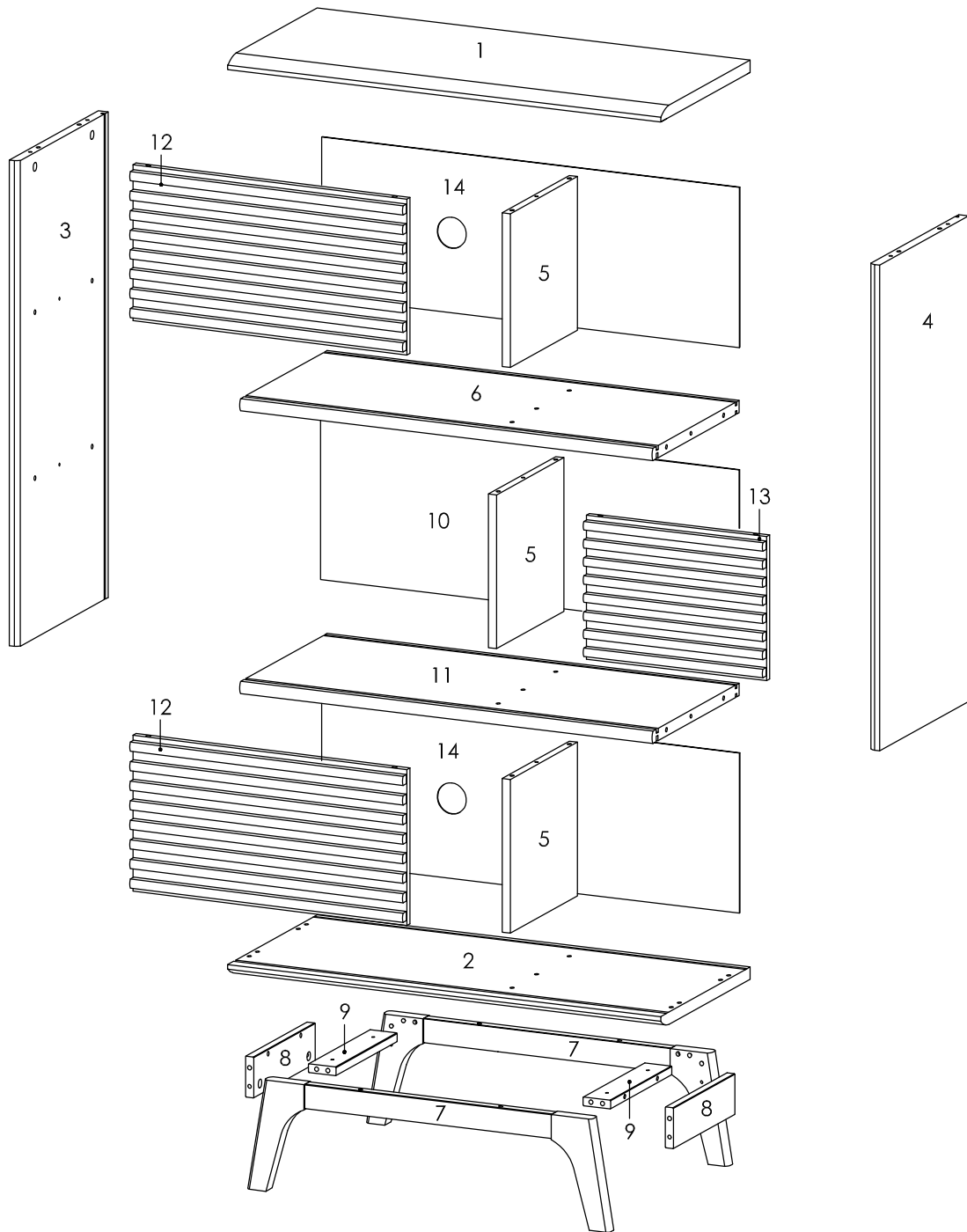
1. We suggest you spend a short time reading through this leaflet and then follow the simple step-by-step instructions.
2. Owing to the size and weight of the Cabinet, we recommend that it is assembled by two adults, on a carpeted or padded area, in the room that it is intended for. Approximate assembly time: 60 minutes.
3. Please do not use any tools other than those provided or recommended in these instructions.
4. Please do not throw away any of the packaging or instructions until you have checked all the components and hardware and the furniture is fully assembled.
5. Assemble all components loosely until advised to tighten. Depending on use, it may be necessary to tighten the components from time to time, so please save the tools that have been provided.
6. Please keep all pieces out of reach of children.



### Hardware :

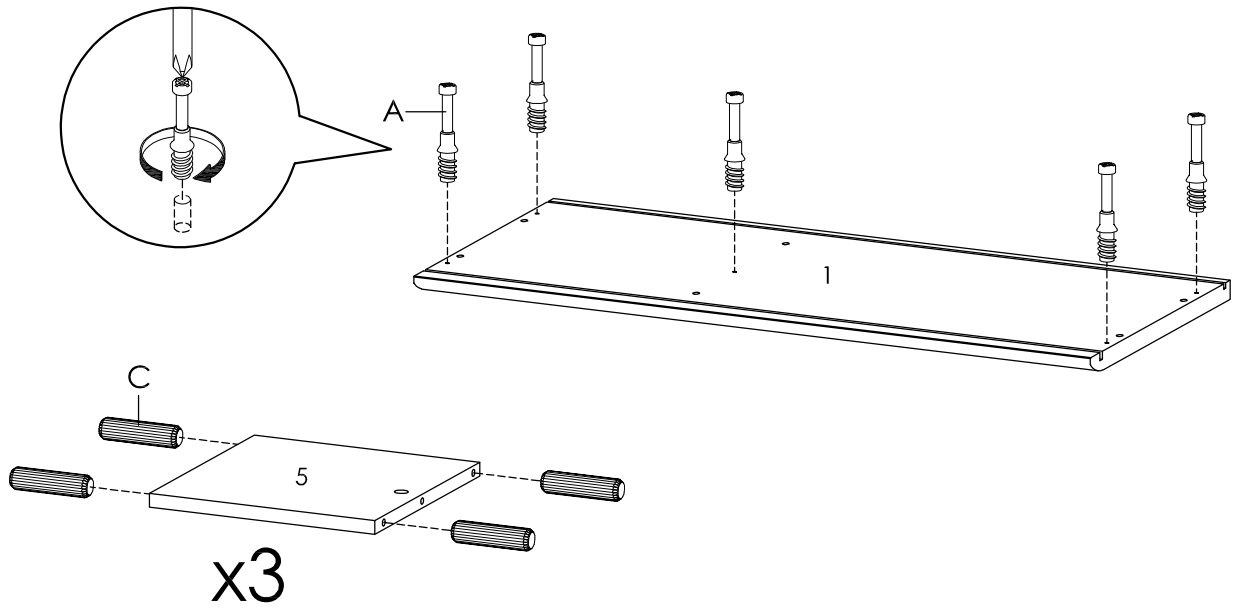
<b>A)</b> Cambolt/Metal  $\varnothing$ 6 x 35 mm x15	<b>B)</b> CamLock /Metal  $\varnothing$ 15 mm x15	<b>C)</b> Dowel Big/Wood  $\varnothing$ 8 x 30 mm x48	<b>D)</b> Screw/Metal  M 7 x 50 mm x7	<b>E)</b> Screw/Metal  M 12 x 35 mm x4
<b>F)</b> Pin Sliding Top/Plastic  $\varnothing$ 8 x 19 mm x6	<b>G)</b> Pin Sliding Bottom/Plastic  $\varnothing$ 8 x 16 mm x6	<b>H)</b> Wedge/Plastic  9 x 14 x 10 mm x18	<b>I)</b> Screw/Metal  M 3.5 x 15.5 mm x18	<b>J)</b> Key/Metal  L4 x1
<b>K)</b> Buffer/Rubber  $\varnothing$ 8 mm x6	<b>L)</b> Screw Cup/Plastic  $\varnothing$ 15 mm(Short) x3	<b>M)</b> Screw Cup/Plastic  $\varnothing$ 15 mm(Long) x4	<b>N)</b> Anti-tipping strap/Polyester  $\pm$ 150 mm x2	<b>O)</b> Ring/Metal  $\varnothing$ 20 mm x2
<b>P)</b> Screw/Metal  M 6 x 16 mm x2	<b>Q)</b> Foam Pad/Spon  25 x 25 x 2 mm x4	<b>R)</b> Screwdriver (Not Include) x1		

**Components:**



1	Top Board	x1	2	Bottom Board	x1	3	Side Board Left	x1	4	Side Board Right	x1
5	Center Board	x3	6	Fixed Shelf 1	x1	7	Support Board 1	x2	8	Support Board 2	x2
9	Support Board 3	x2	10	Back Board 1	x1	11	Fixed Shelf 2	x1	12	Slide Door 1	x2
13	Slide Door 2	x1	14	Back Board 2	x2						

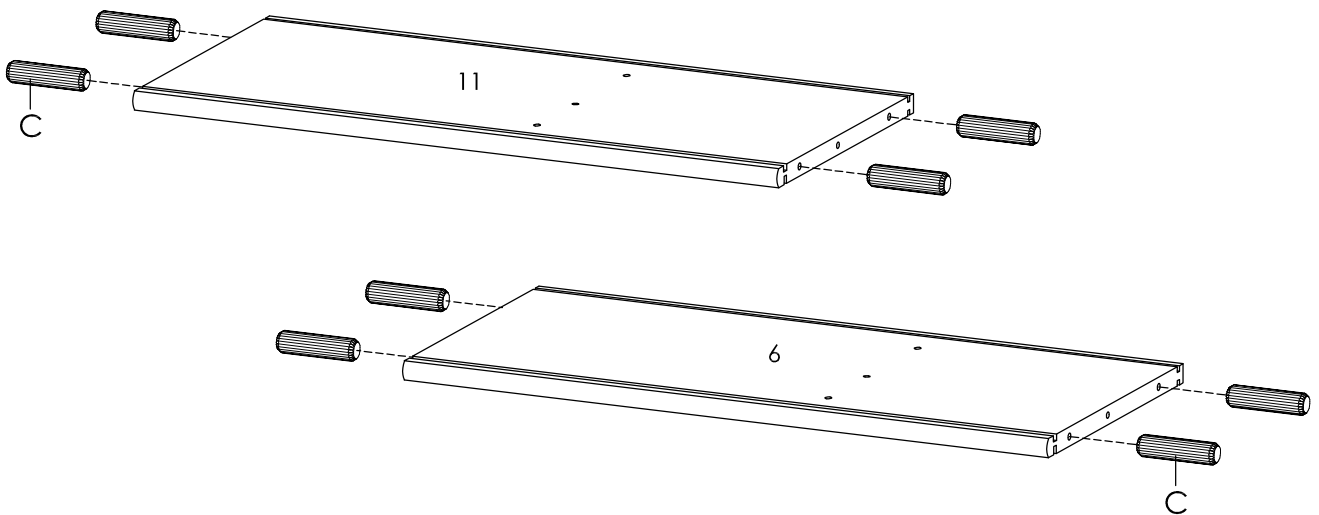
**STEP 1:**



Cx12	Ax5	Rx1

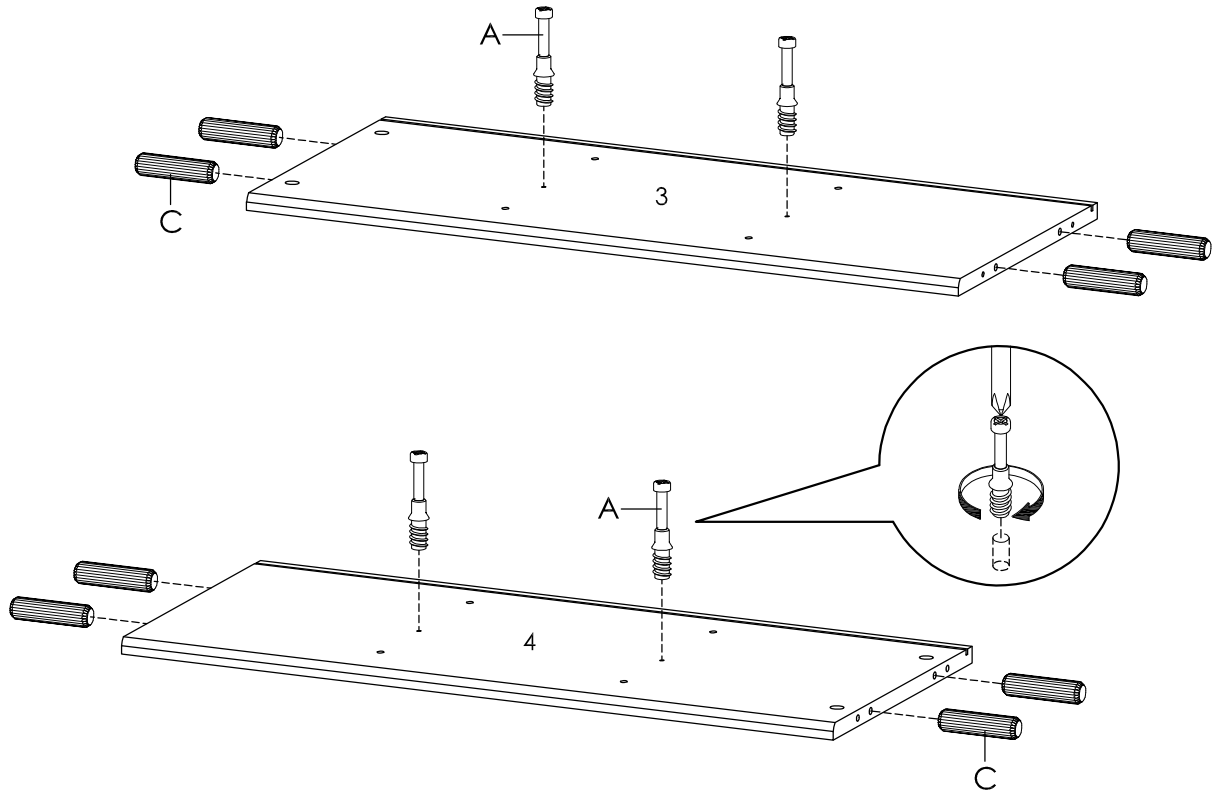
Hardware required.  
Screwdriver not included



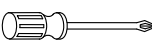
**STEP 2:**



Cx8

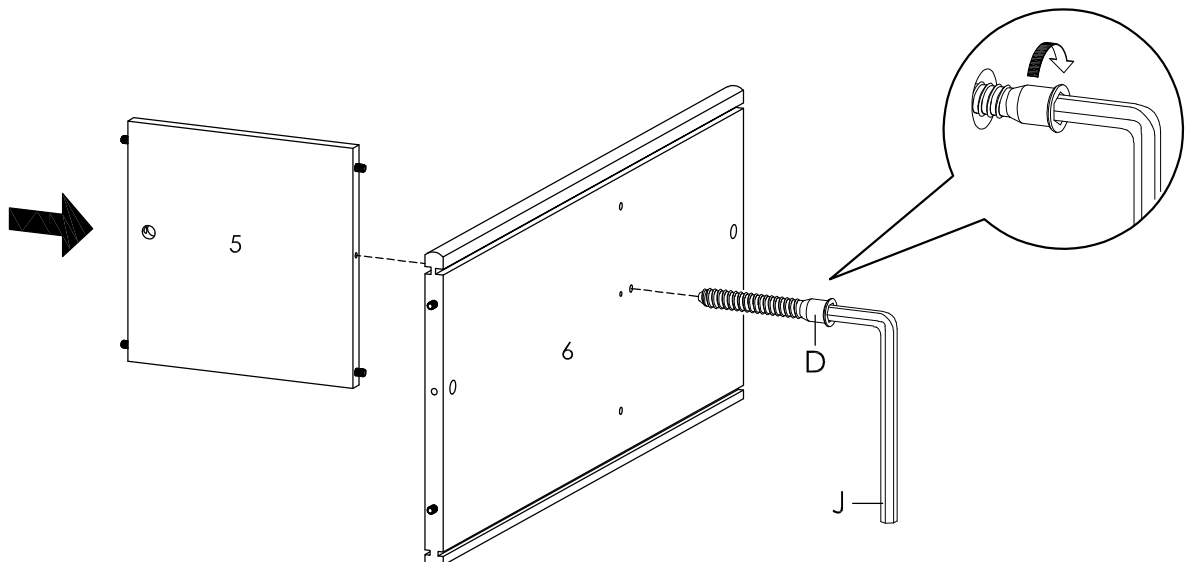
**STEP 3 :**





		
Cx8	Ax4	Rx1

Hardware required.  
Screwdriver not included

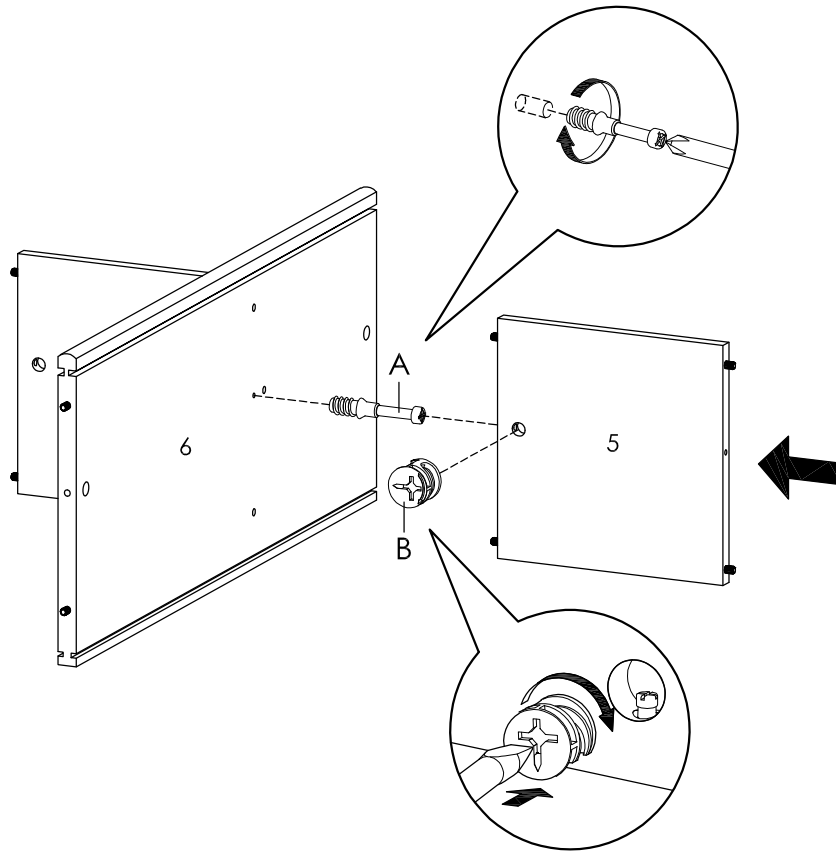
**STEP 4:**



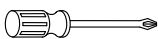


	
Dx1	Jx1

Hardware required. Screwdriver not included

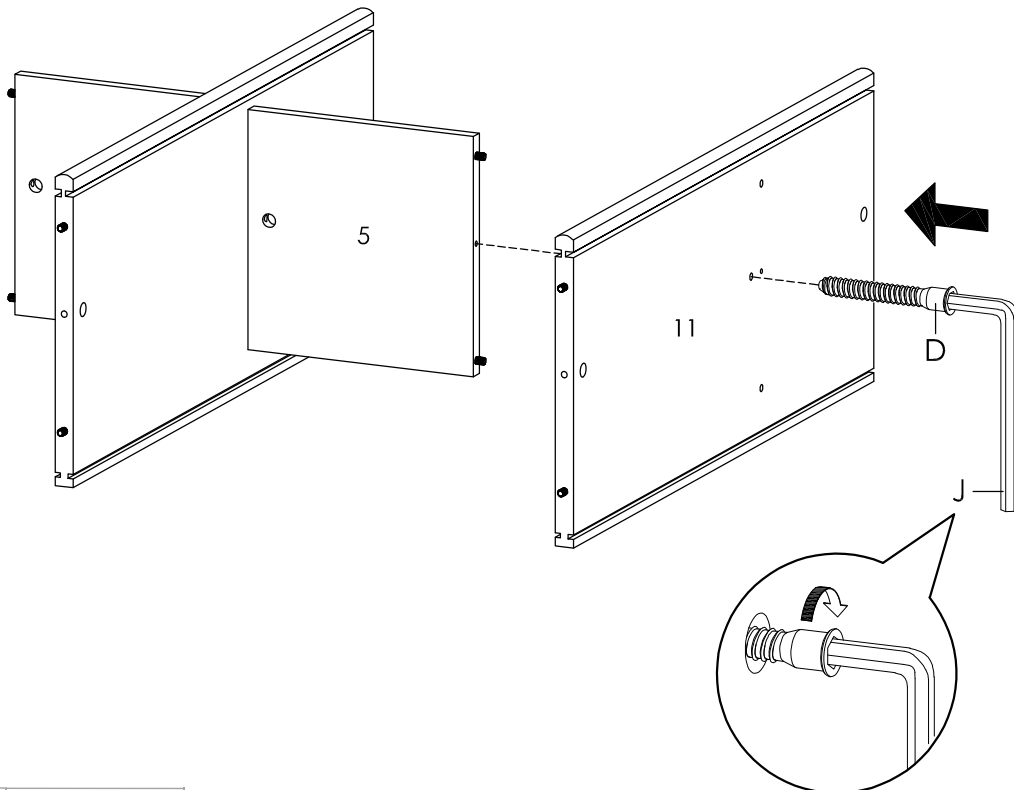
**STEP 5:**

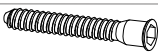



		
Bx1	Ax1	Rx1

Hardware required.  
Screwdriver not included

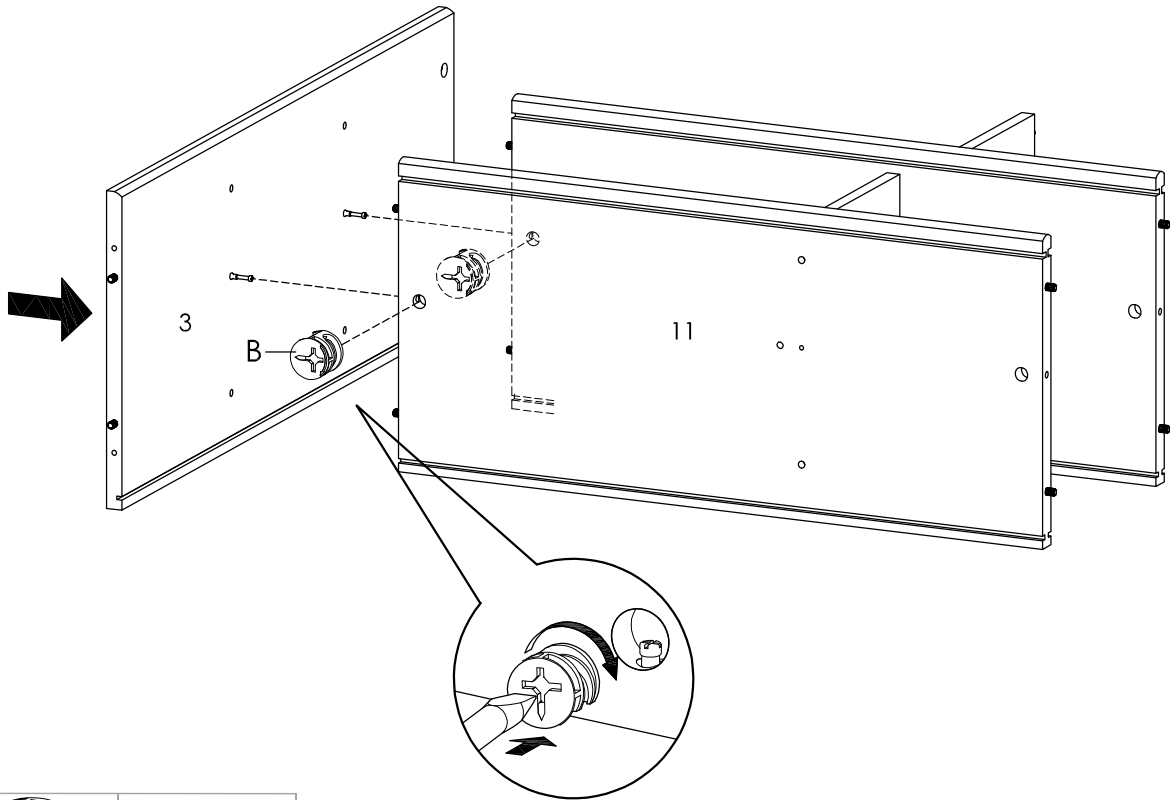
**STEP 6:**


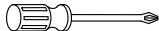


	
Dx1	Jx1

Hardware required. Screwdriver not included

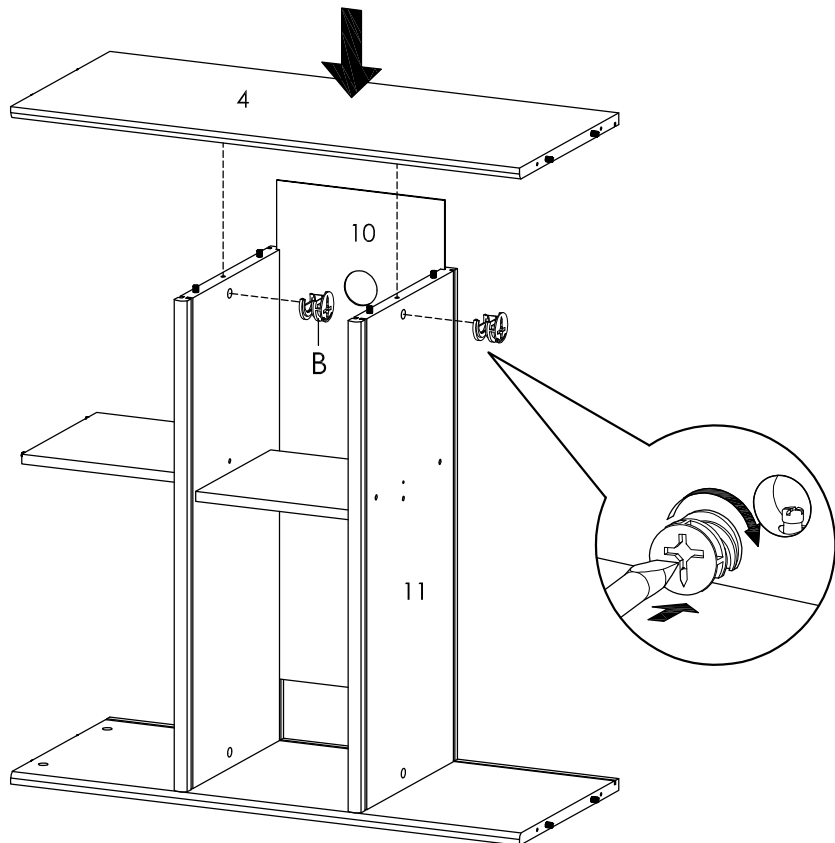
STEP 7:


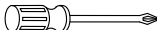


	
Bx2	Rx1

Hardware required. Screwdriver not included

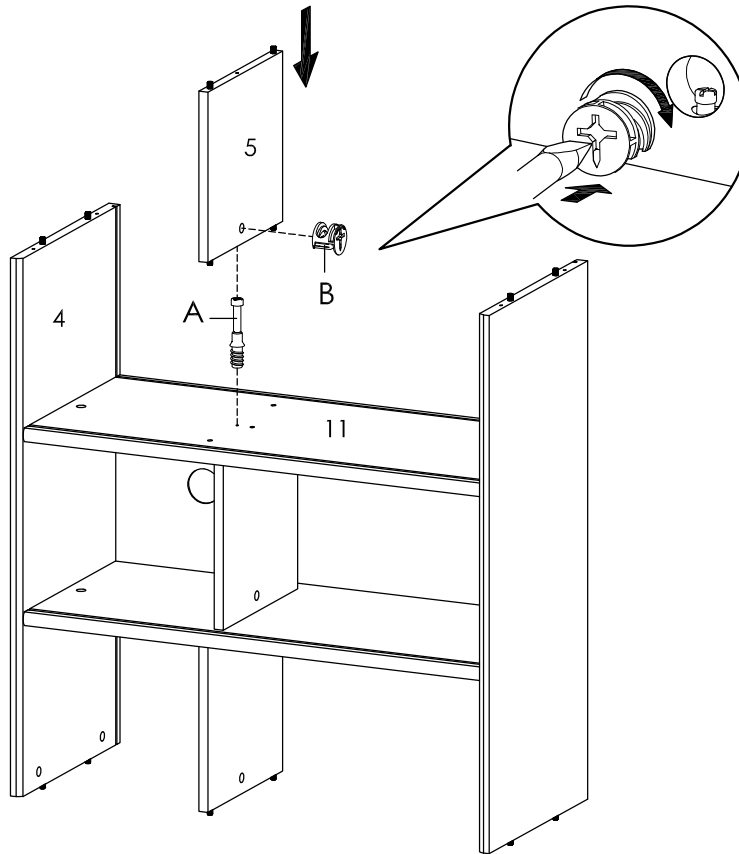
STEP 8:



	
Bx2	Rx1

Hardware required. Screwdriver not included

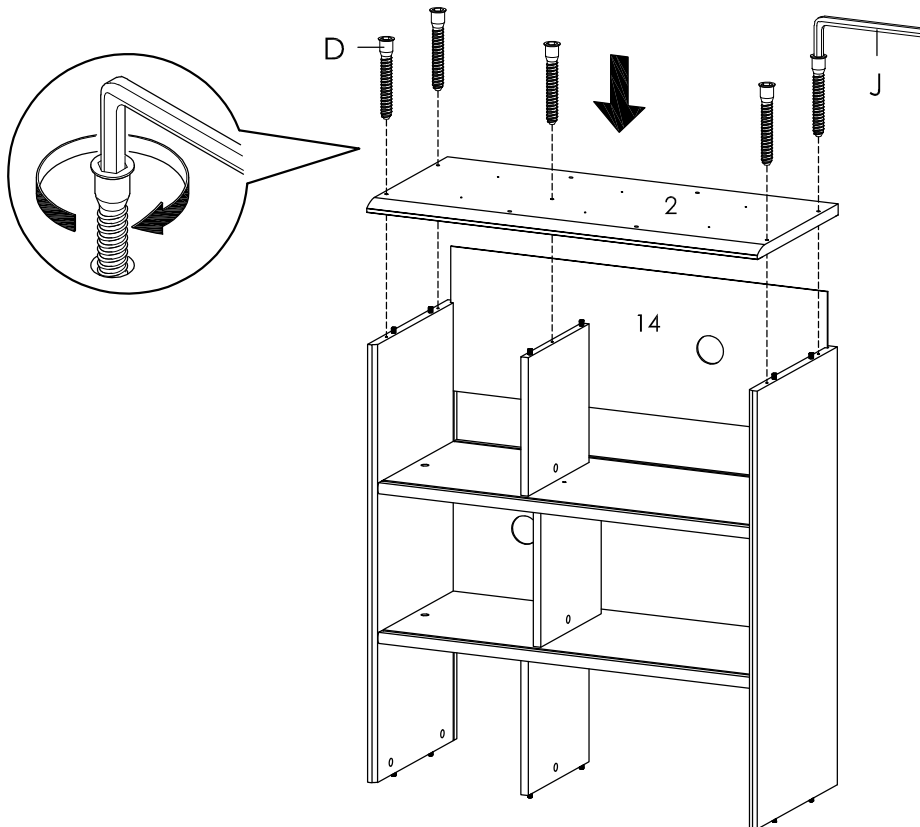
**STEP 9:**



Bx1	Ax1	Rx1

Hardware required.  
Screwdriver not included

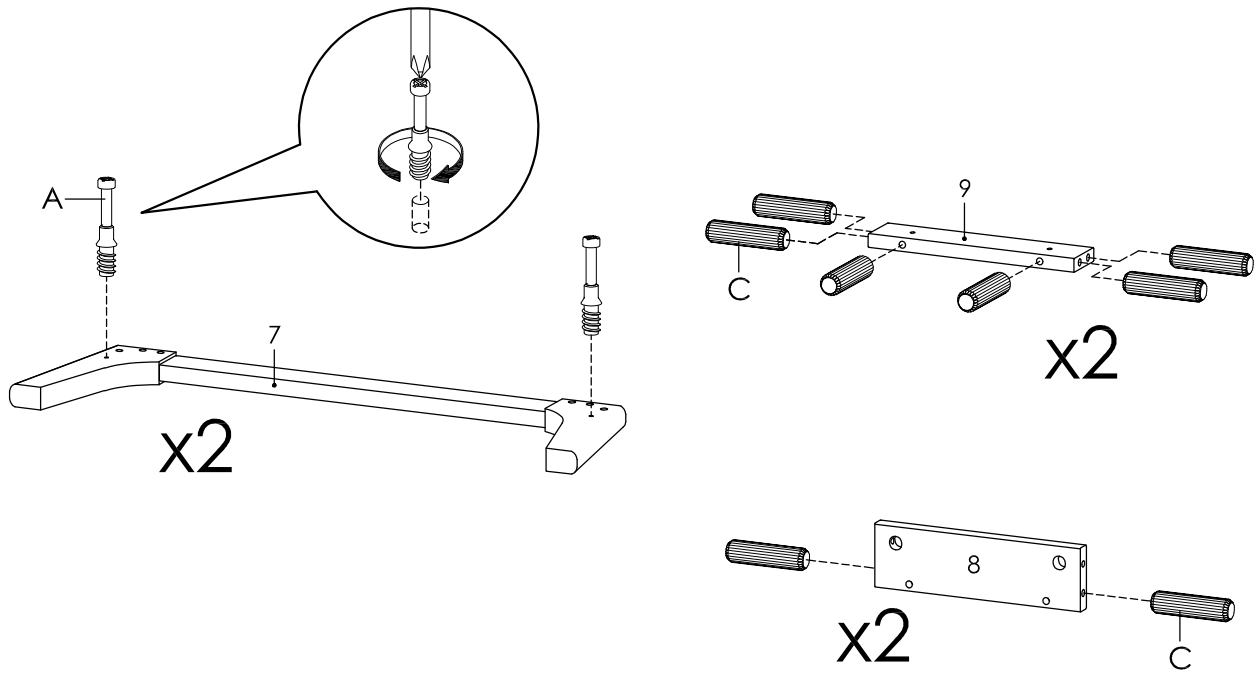
**STEP 10:**



Dx5	Jx1

Hardware required. Screwdriver not included

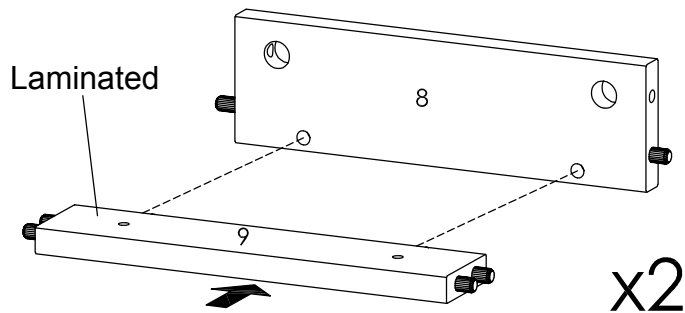
**STEP 11:**



Cx16	Ax4	Rx1

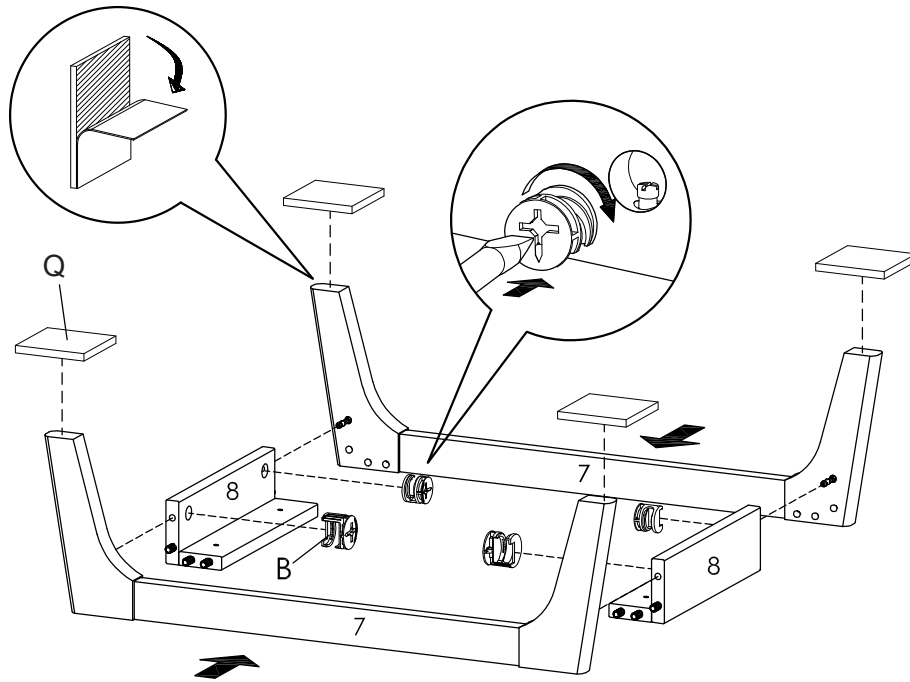
Hardware required.  
Screwdriver not included



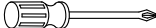
**STEP 12:**





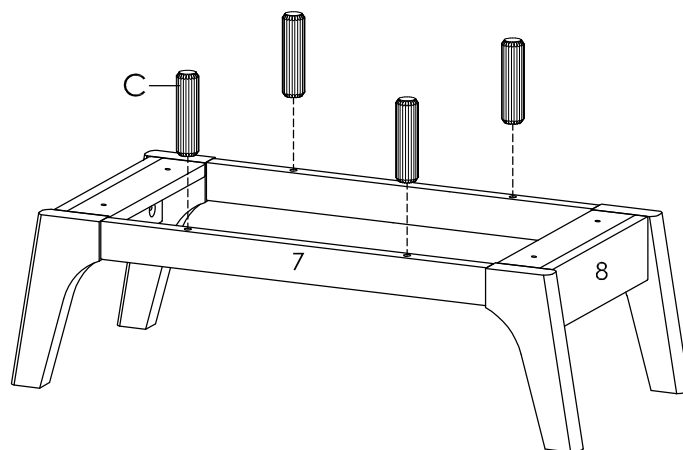
STEP 13:




		
Bx4	Qx4	Rx1

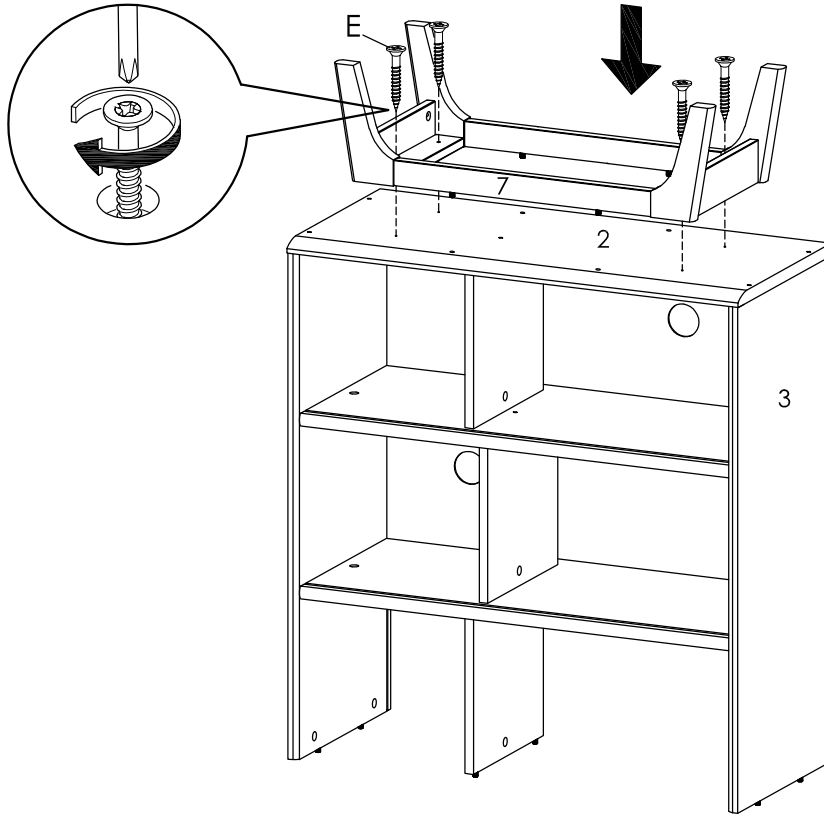
Hardware required.  
Screwdriver not included


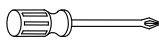
STEP 14:




Cx4

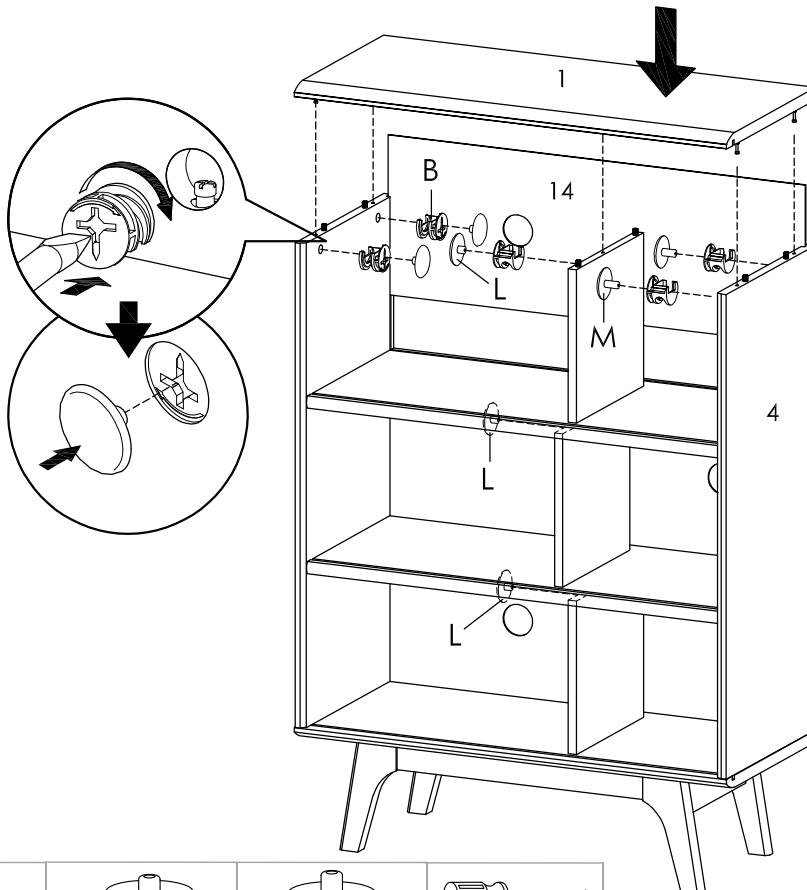
**STEP 15:**



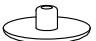
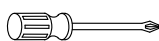


	
Ex4	Rx1

Hardware required. Screwdriver not included

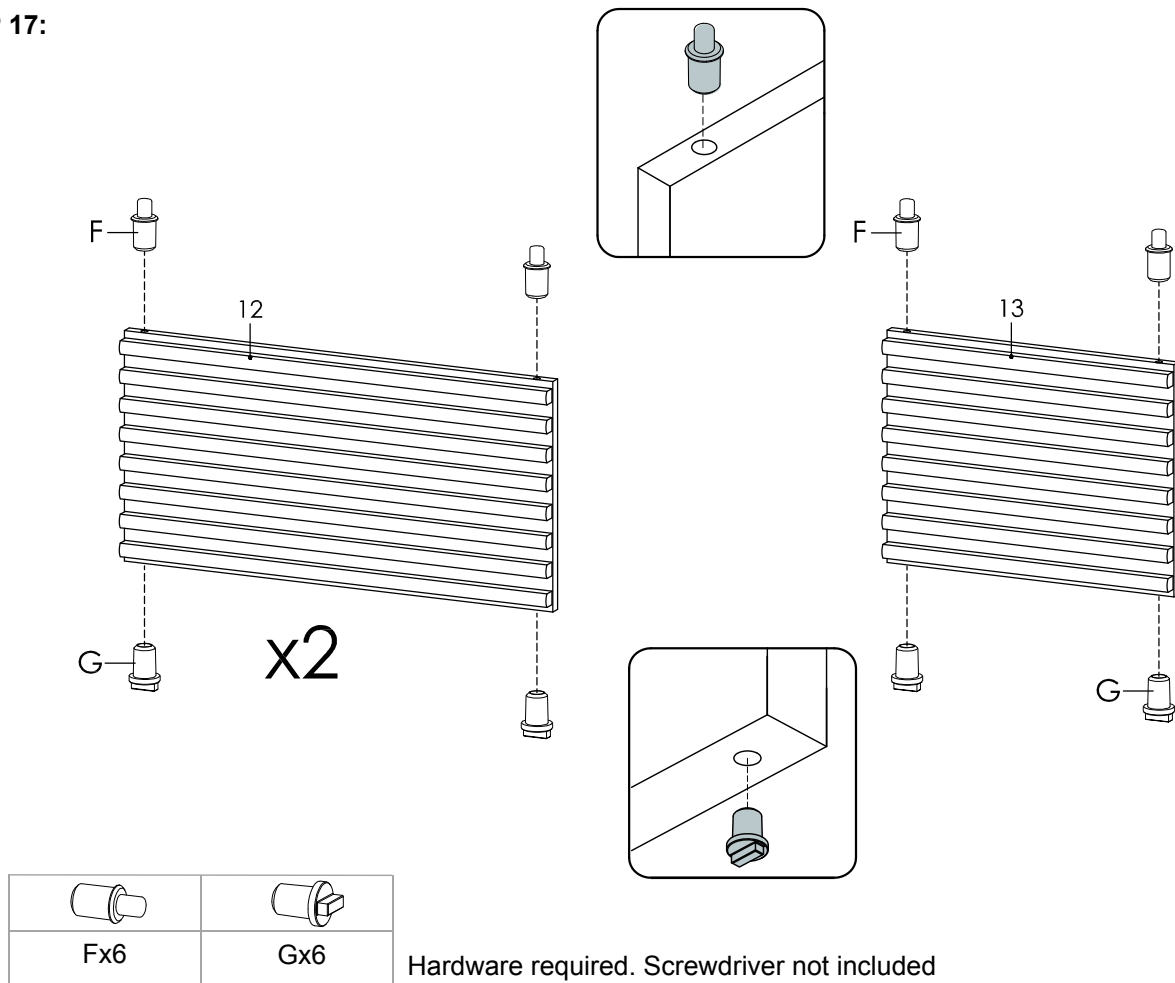
**STEP 16:**



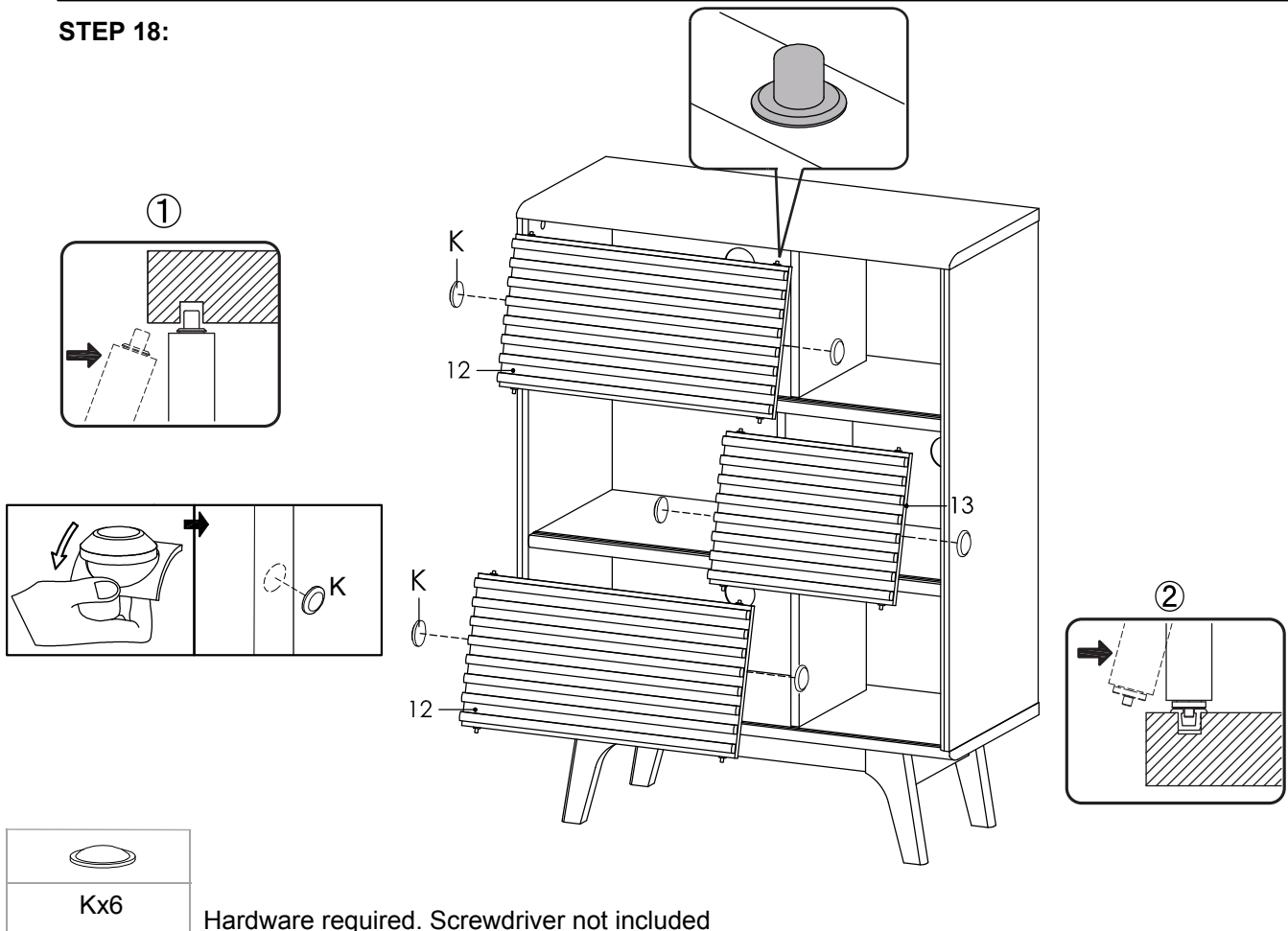
			
Bx5	Lx3	Mx4	Rx1

Hardware required.  
Screwdriver not included

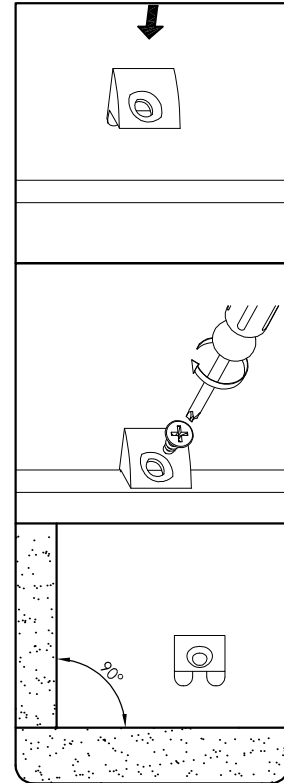
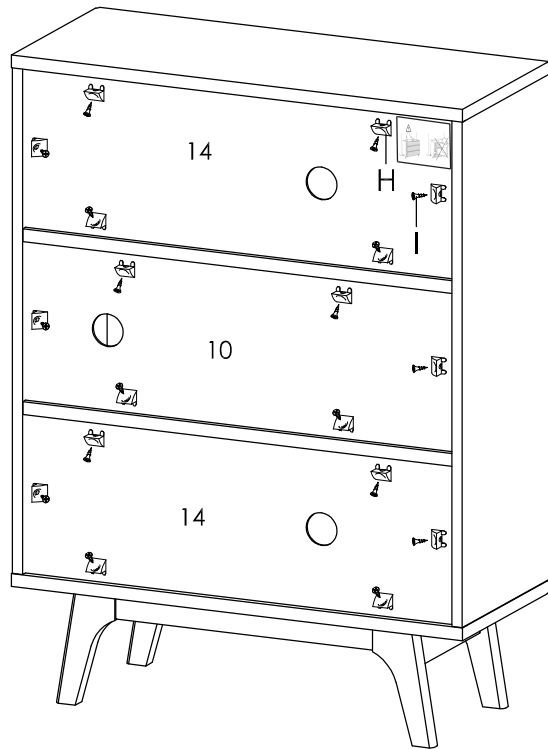
**STEP 17:**



**STEP 18:**



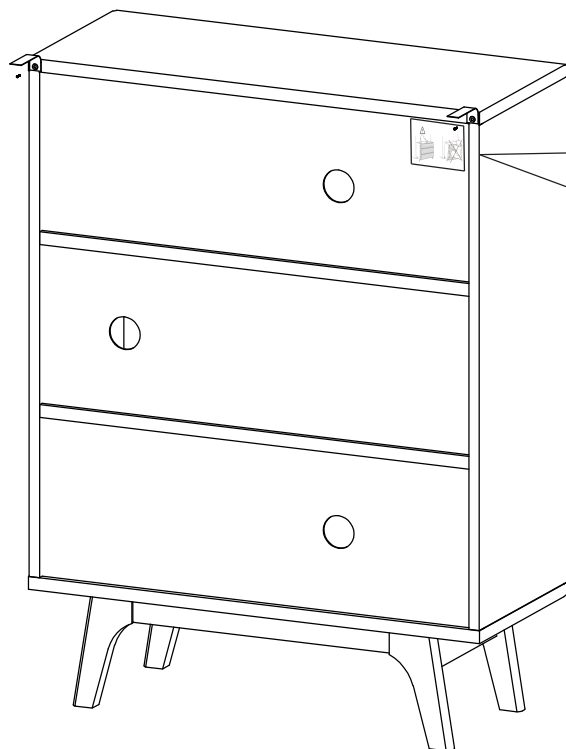
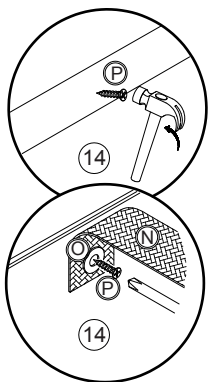
STEP 19:



Hx18	lx18	Qx1

Hardware required.  
Screwdriver not included

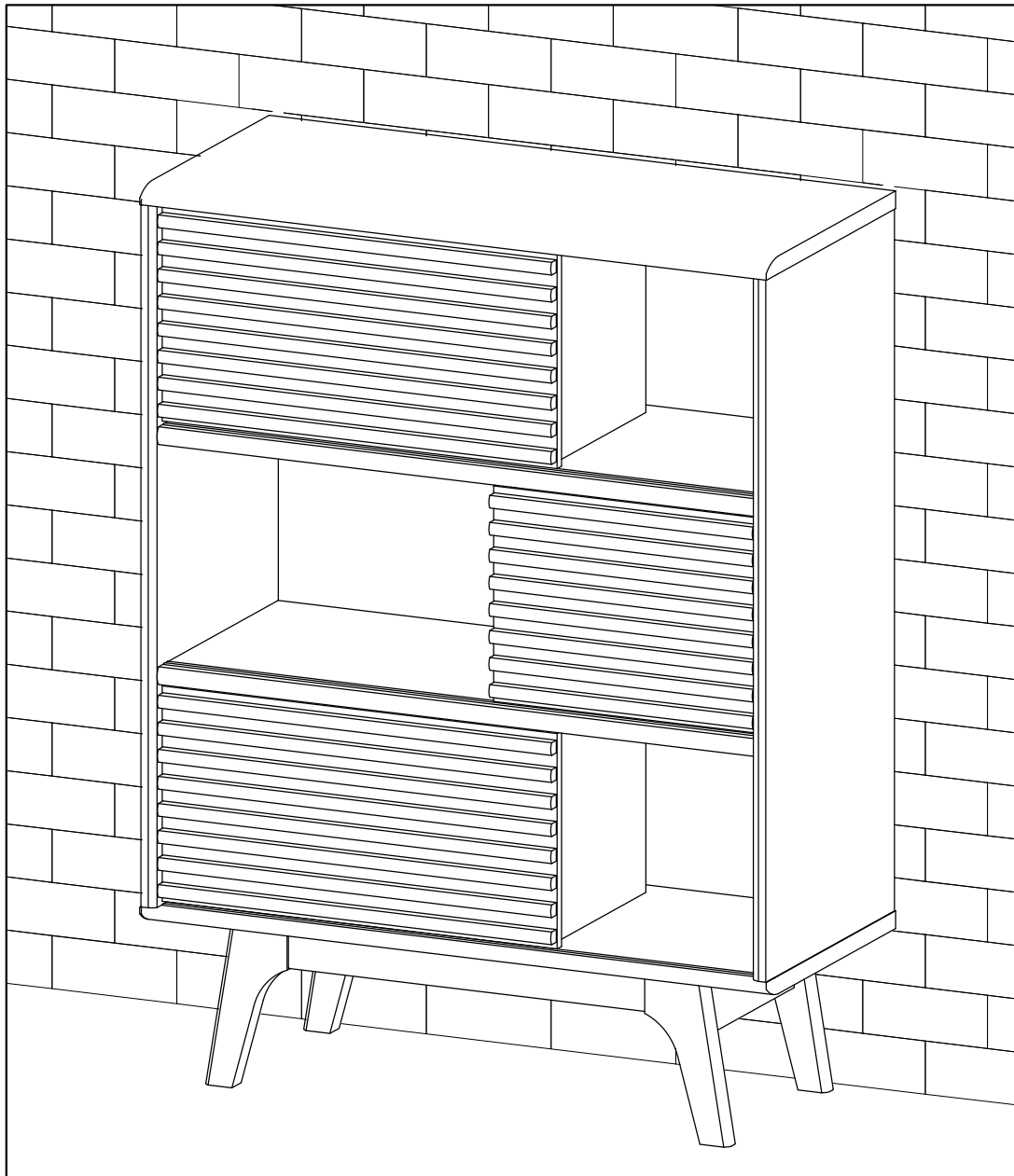
STEP 20:



Nx2	Ox2	Px2	Rx1

Hardware required.  
Screwdriver not included

STEP 21:



**Assembly is complete. The Cabinet is ready to enjoy now!**