

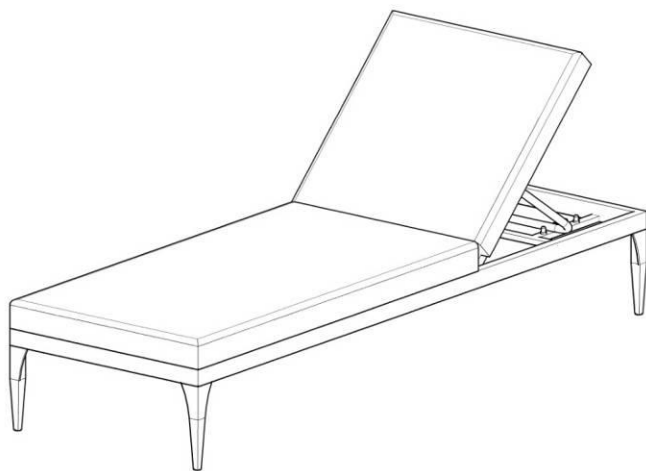
EEI-3301 SUNBED



Thank you for purchasing the MODWAY SUNBED!

Before you start, here are some helpful advice:

1. We suggest you spend a short time reading through this leaflet and then follow the simple step-by-step instructions.
2. Owing to the size and weight of the sunbed, we recommend that it is assembled by two adults, on a carpeted or padded area, in the room that it is intended for. Approximate assembly time: 20 minutes.
3. Please do not use any tools other than those provided or recommended in these instructions.
4. Please do not throw away any of the packaging or the instruction until you have checked all the components and hardware and the furniture is fully assembled. Please ensure that the packaging is disposed of in a safe and environmentally friendly way.
5. Assemble all components loosely until advised to tighten. Depending on use, it may be necessary to tighten the components from time to time, so please save the tools that have been provided.
6. Please keep all fitting out of reach of children.

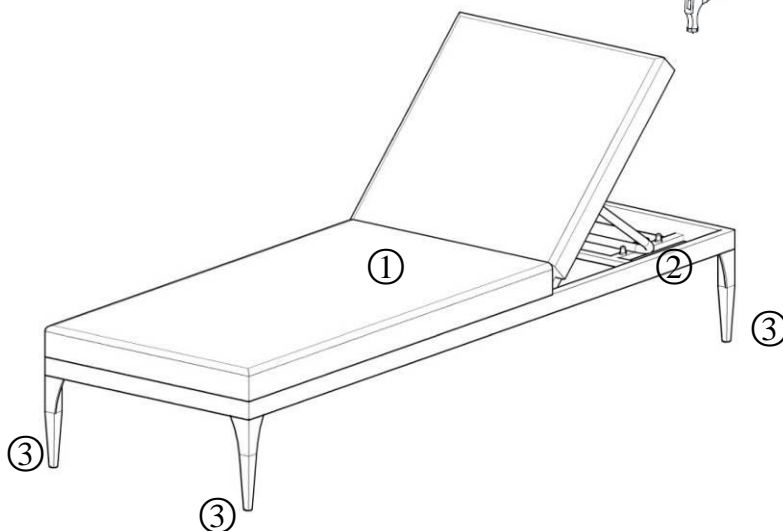


Hardware:

A.		Bolt 1/4x20mm	x8
B.		1/4" Washer	x8
C.		M8 Washer	x4
D.		Allen Key	x1
E.		Socket	x1
F.		Tube Plug	x4
G.		Screw Bar	x4
H.		Metal Tube	x4

Component:

I.		Hammer (Not Included)
----	--	-----------------------



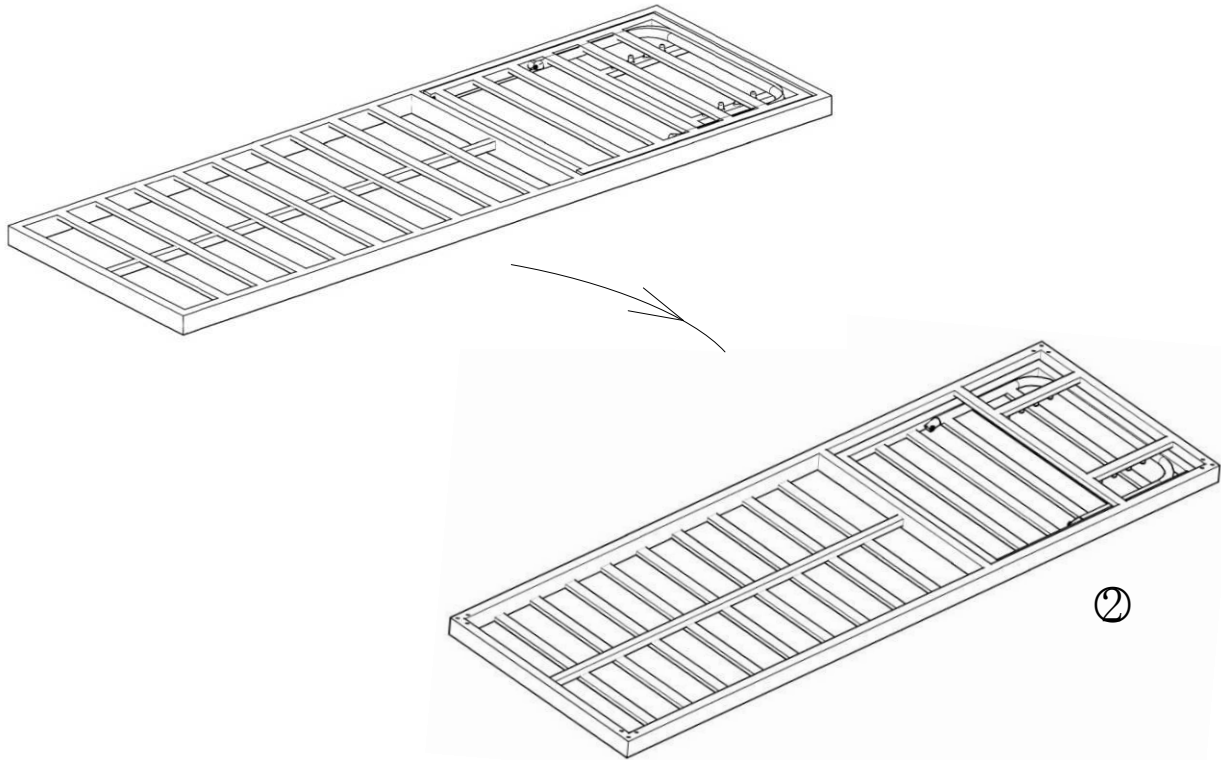
1 Cushion x 1

2 Bed Frame x 1

3 Leg x 4

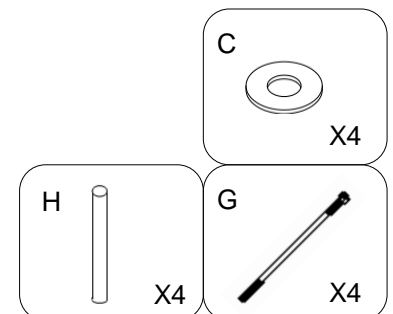
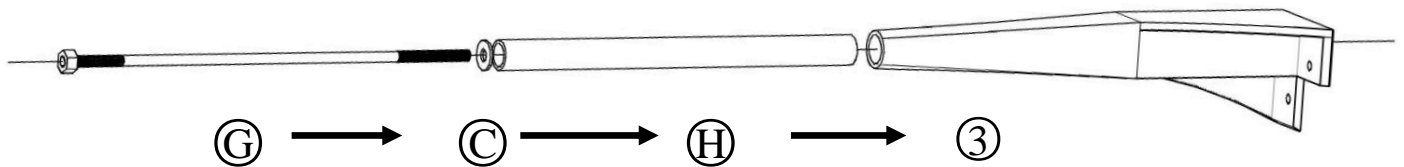
STEP 1:

Please put the **Bed Frame (2)** on a carpeted or padded surface, then turn over the **Bed Frame (2)**.



STEP 2:

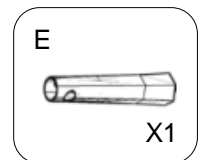
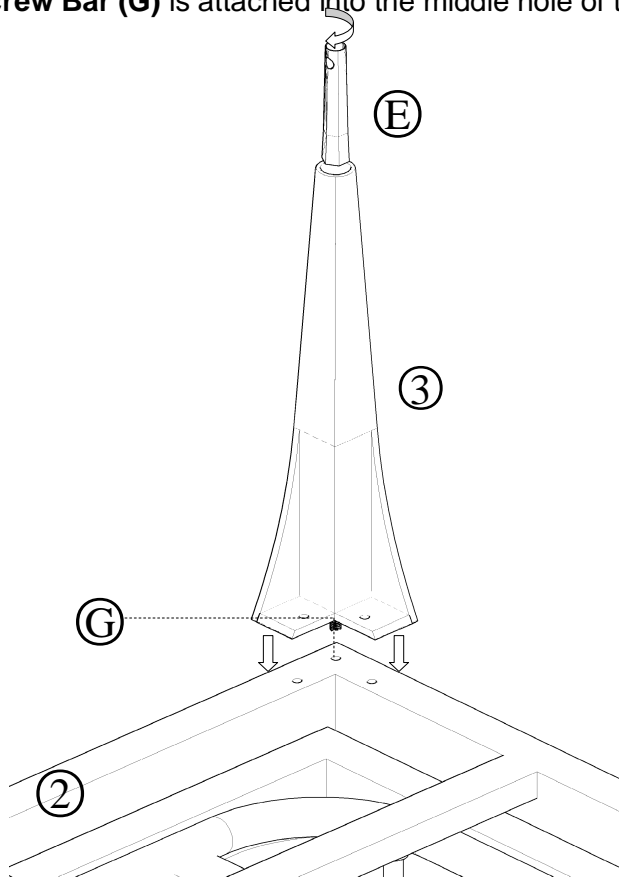
Insert one end without a nut of the **Long Screw Bar (G)** through 1 piece of **M8 Washer (C)** and 1 piece of **Metal Tube (H)** into the top hole of the **Leg (3)** as shown. Repeat the same steps for the other three **Legs (3)**.



Hardware & Tools required

STEP 3:

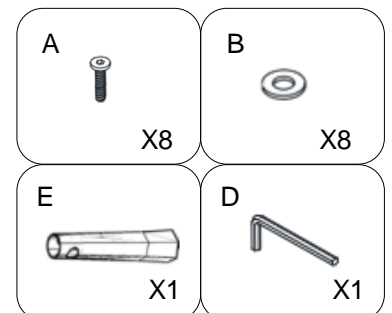
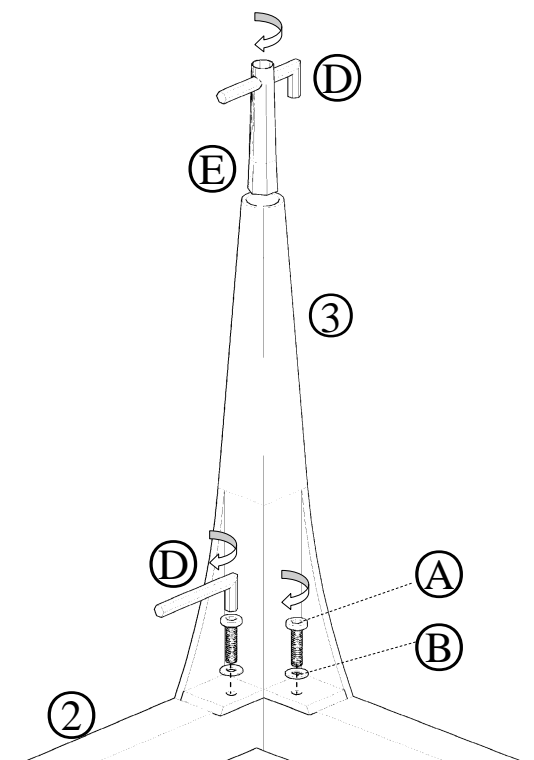
Attach the assembled **Leg (3)** into the **Bed Frame (2)**, then twist the **Socket (E)** into the hole of the **Leg (3)** and make sure **Long Screw Bar (G)** is attached into the middle hole of the corner of the **Bed Frame (2)**.



Hardware & Tools required

STEP 4:

Insert 2 pieces of **Bolts (A)** with 1/4" **Washers (B)** through the holes of the **Leg (3)** into the **Bed Frame (2)** by hand, pls don't tighten it fully, but make sure the **Leg (3)** is aligned with **Bed Frame (2)**. After that, use **Allen Key (D)** to tighten 2 pieces of **Bolts (A)** fully. And use **Allen Key (D)** and the top **Socket (E)** to tighten **Long Screw Bar (G)** fully. Repeat the same steps for the other three **Legs (3)**.

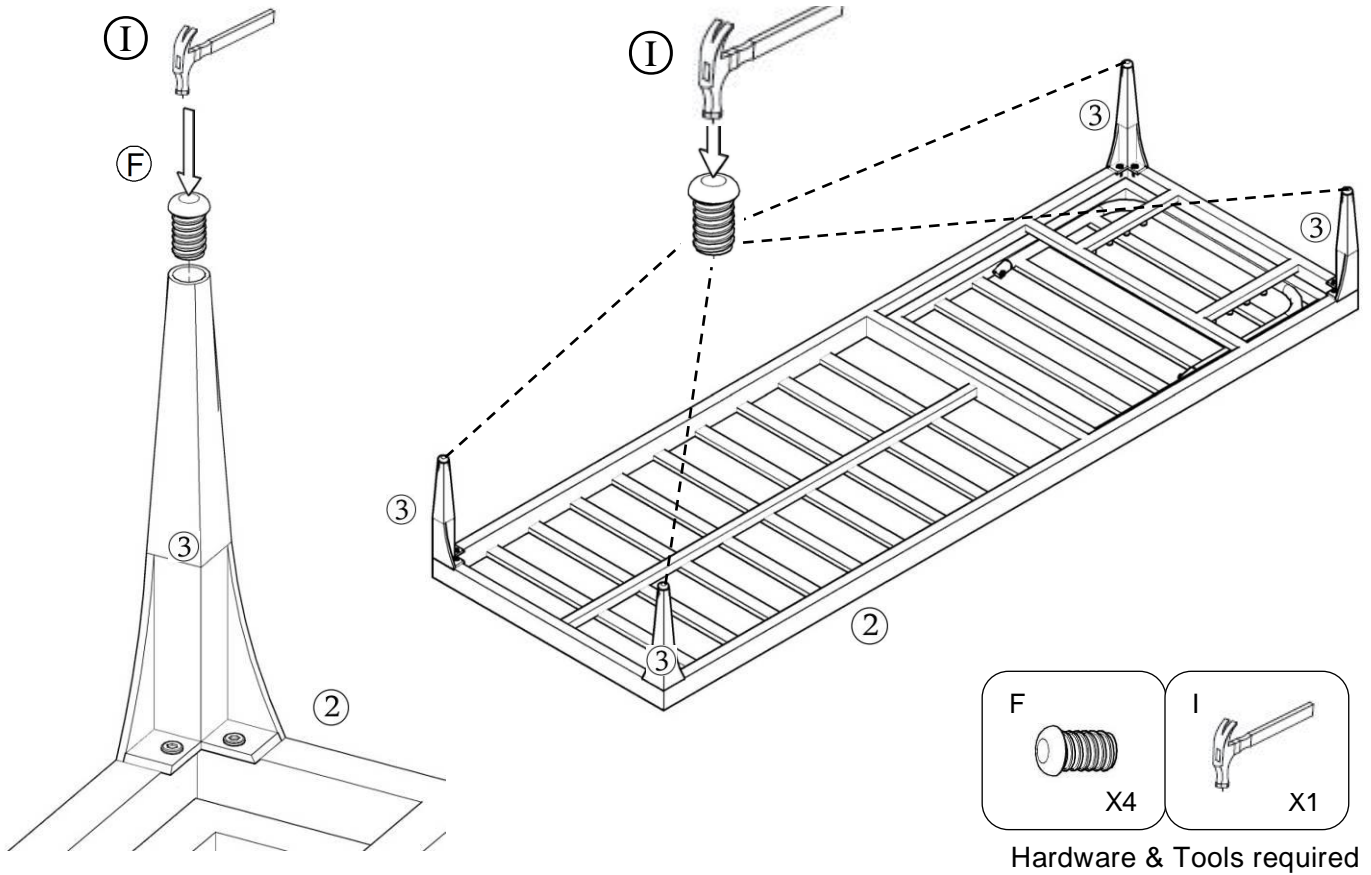


Hardware & Tools required

EEI-3301 SUNBED

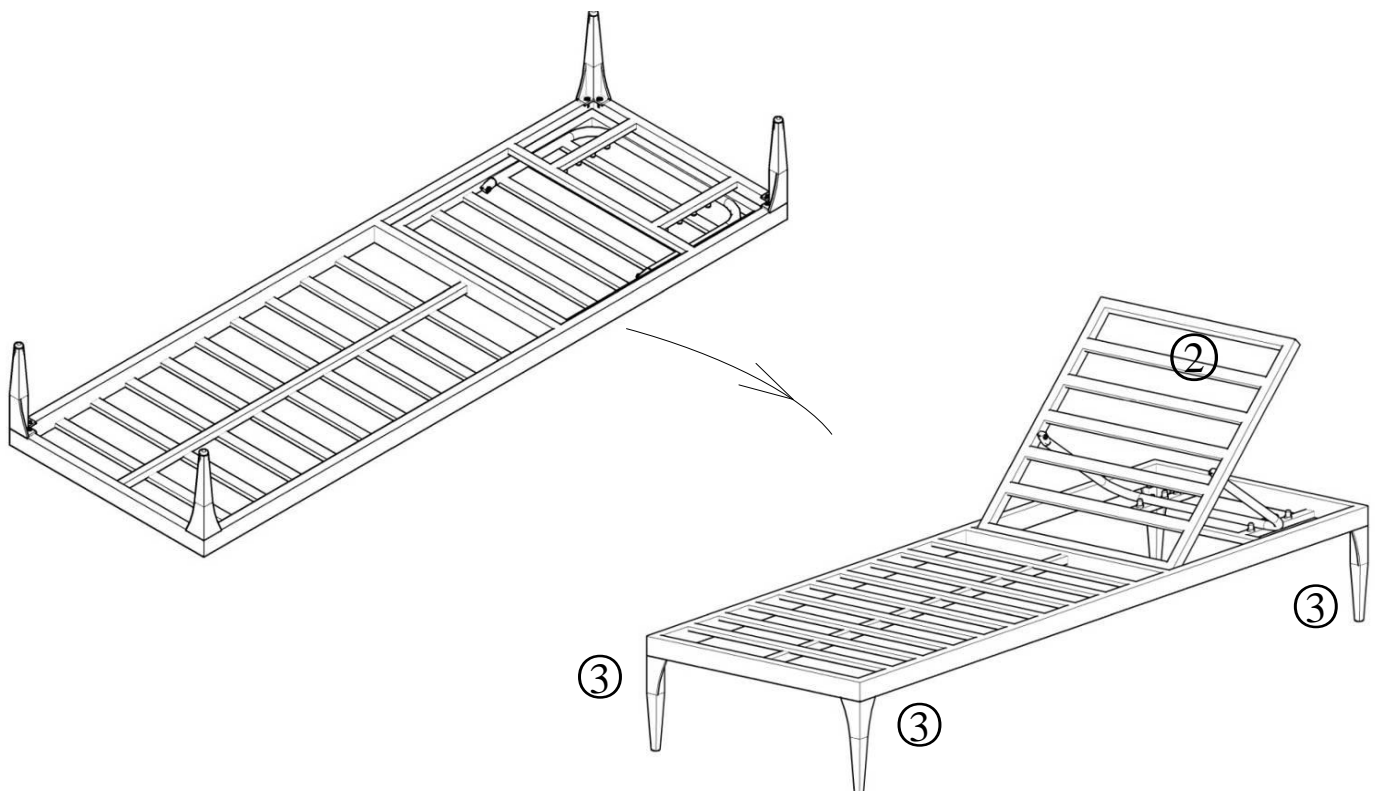
STEP 5:

Insert 4 pieces of **Tube Plugs (F)** into the bottom hole of the **Legs (3)** as shown and use Hammer (not included) to tighten it fully.



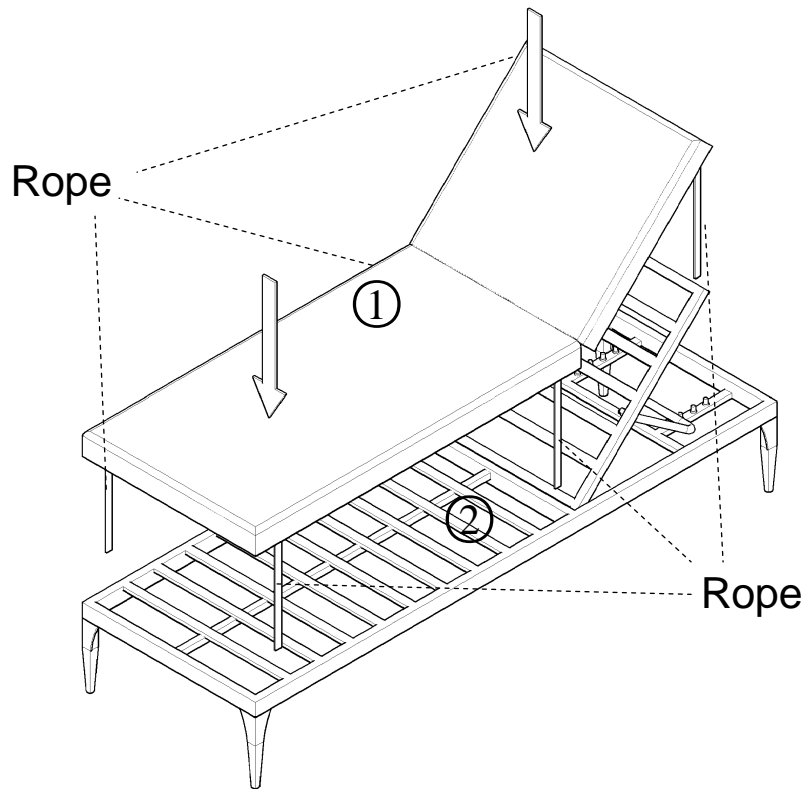
STEP 6:

Carefully turn over the assembled **Bed Frame (2)** and open the adjustable backrest of the forepart as shown.



STEP 7:

Put the **Cushion (1)** on the **Bed Frame (2)** and tie 6 pieces of ropes on the back of the **Cushion (1)** into the corresponding **Bed Frame (2)**.



Assembly is complete. Your SUNBED is ready to be used now!

