

# EEL –3189 Office Chair



Thank you for purchasing the **MODWAY OFFICE CHAIR**.

Before you start, here are some helpful advice:

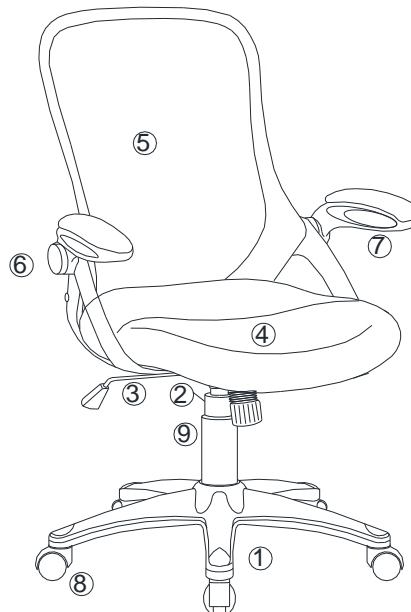
1. We suggest you spend a short time reading through this leaflet and then follow the simple step-by-step instructions.
2. Owing to the size and weight of the chair, we recommend that it is assembled by two adults, on a carpeted or padded area, in the room that it is intended for. Approximate assembled time: 30 minutes.
3. Please do not use any tools other than those provided or recommended in these instructions.
4. Please do not throw away any of the packaging or the instruction until you have checked all the components and hardware and the furniture is fully assembled. Please ensure that the packaging is disposed of in a safe and environmentally friendly way.
5. Assemble all components loosely until advised to tighten. Depending on use, it may be necessary to tighten the components from time to time, so please save the tools that have been provided.
6. Please keep all fitting out of reach of children.



## Hardware:

A.		Bolt M6x20mm	x 8
B.		Bolt M6x35mm	x 4
C.		Flat Washer 18mm x 8	
D.		Flat Washer 14mm x 4	
E.		Allen Wrench	x1
F.		Cover	x4

## Component:

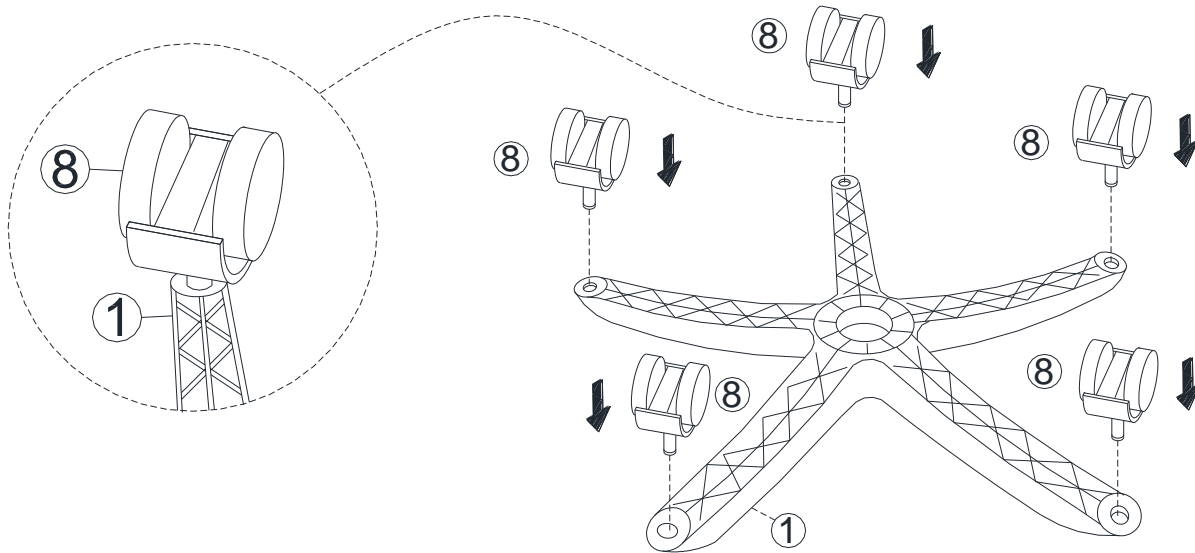


- |               |                      |                        |                   |                 |
|---------------|----------------------|------------------------|-------------------|-----------------|
| 1 Base x1     | 2 Cylinder Column x1 | 3 Control Mechanism x1 | 4 Seat x1         | 5 Back Frame x1 |
| 6 Left Arm x1 | 7 Right Arm x1       | 8 Castor x5            | 9 Round casing x1 |                 |

## STEP 1:

Please put **Base (1)** on a carpeted or padded surface.

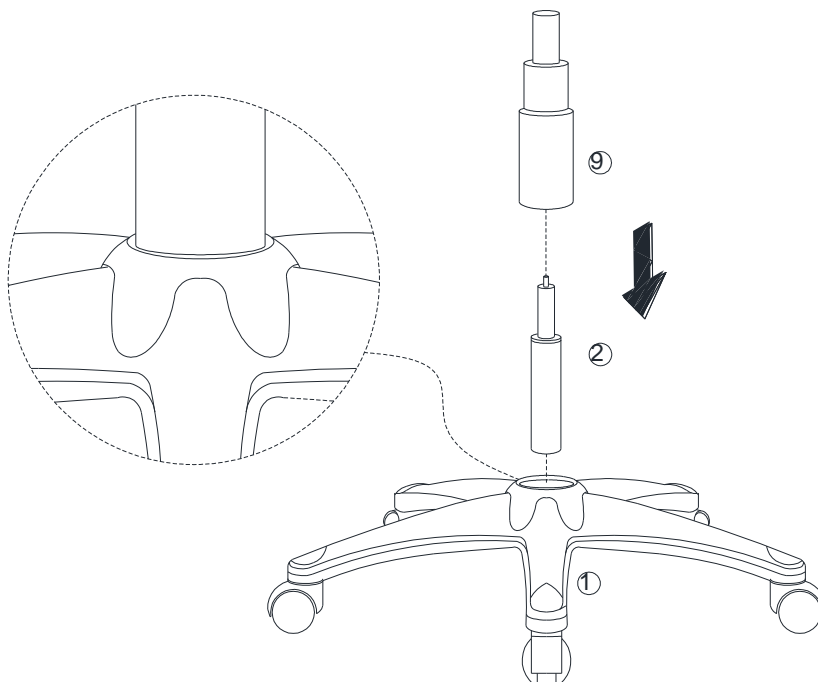
Insert 1 piece of **Castor (8)** into the **Base (1)** as shown by hand. Repeat the same steps for the remaining 4 pieces of **Castors (8)**.



## STEP 2:

Carefully turn over the assembled **Base (1)** from step 1.

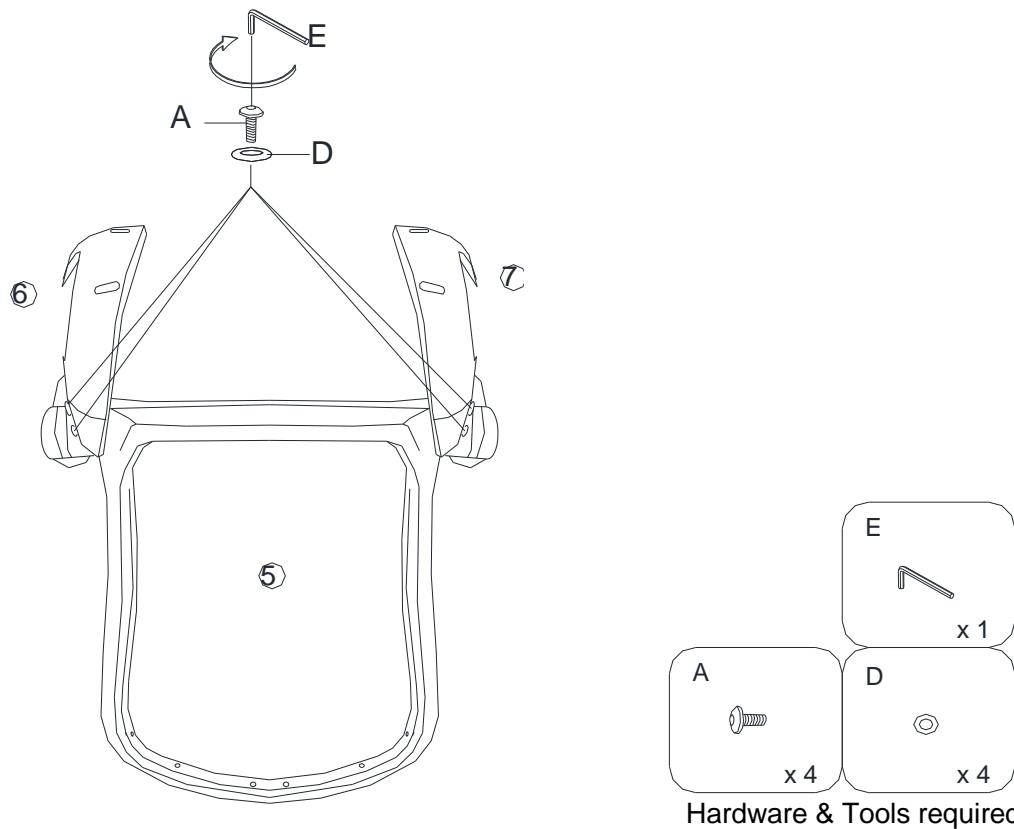
Insert the **Cylinder Column (2)** and **Round casing (9)** to **Base (1)** as shown.



## STEP 3:

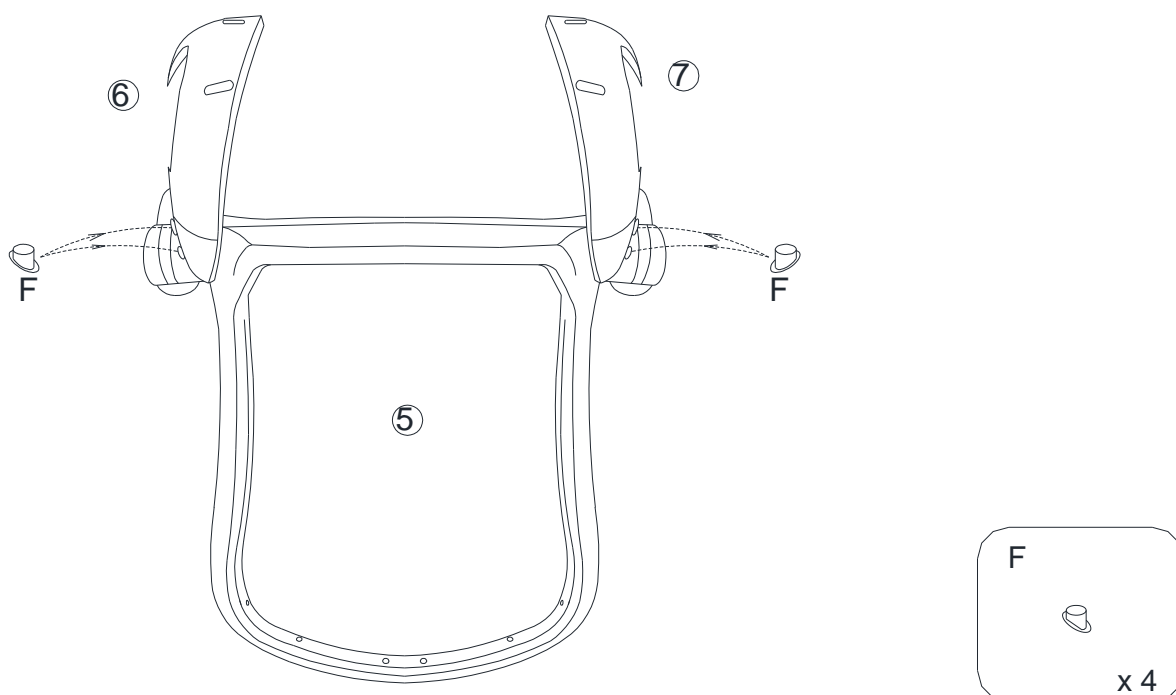
Attach **Left Arm (6)** and **Right Arm (7)** to the both side of **Back (6)** by using 4 pieces of **Bolts (A)** with 4 pieces of **Flat Washers (C)** as shown.

Tighten **Bolts (A)** by using **Allen Wrench (E)** as shown.



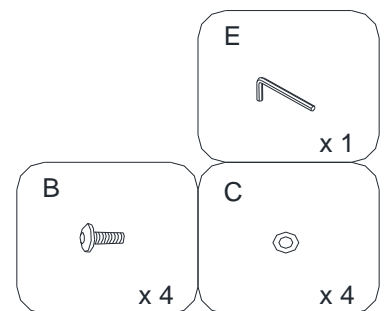
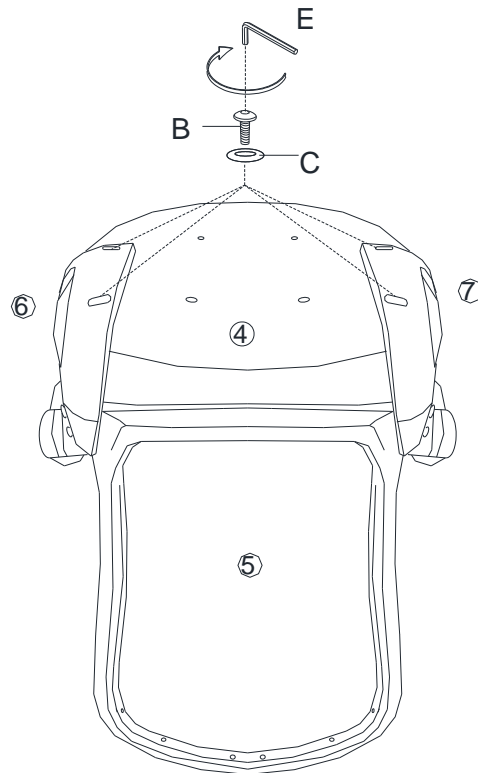
## STEP 4:

Attach **Cap Cover (F)** to the holes on **Left Arm (6)** and **Right Arm (7)** by hand as shown.



## STEP 5:

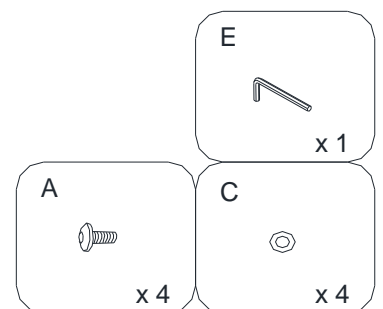
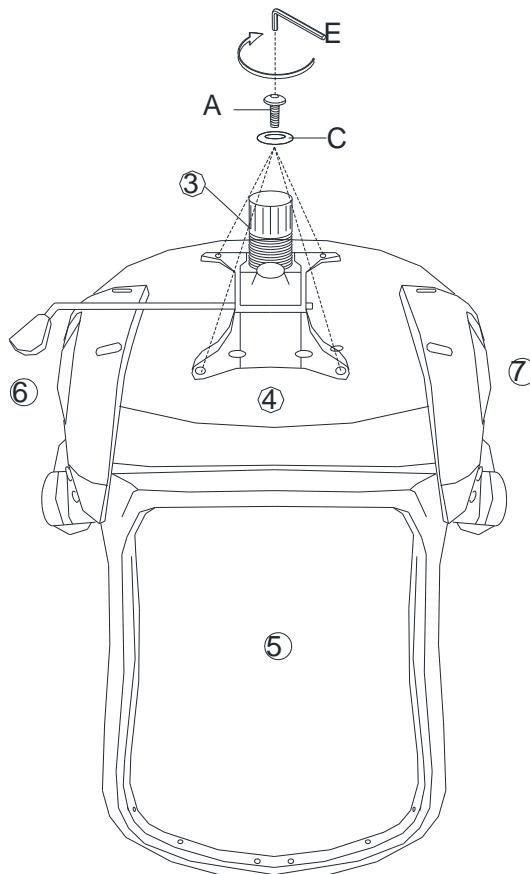
Attach assembled unit to the **Seat (4)** by using 4 pieces of **Bolts (B)** and 4 pieces of **Flat Washers (C)** as shown. Tighten **Bolts (B)** by using **Allen Wrench (E)** as shown.



Hardware & Tools required

## STEP 6:

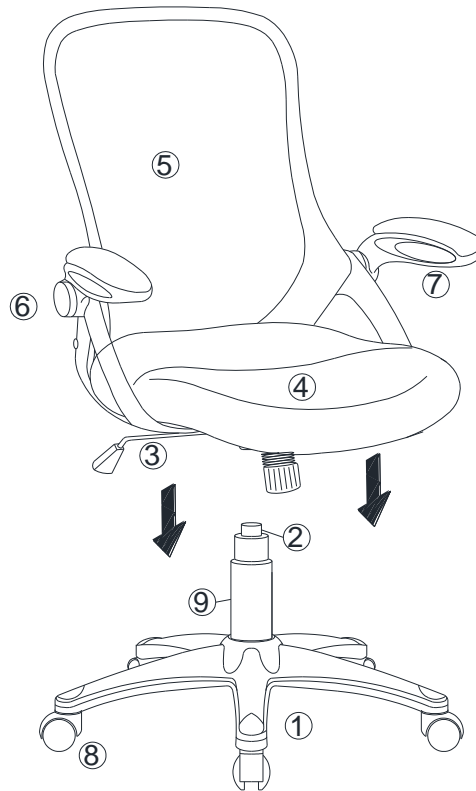
Attach **Control Mechanism (3)** to the assembled **Seat (4)** by using 4 pieces of **Bolts (A)** and 4 pieces of **Flat Washers (C)** as shown. Tighten **Bolts (A)** by using **Allen Wrench (E)** as shown.



Hardware & Tools required

## STEP 7:

Insert assembled **Control Mechanism (3)** into the **Cylinder Column (2)** as shown.



## STEP 8:

Assembly is complete. Your office chair is ready to be used now!

