

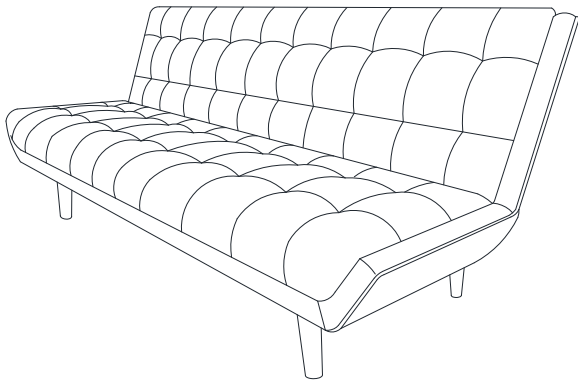
EEI-3093 SOFA BED



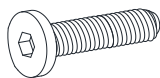
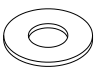

Thank you for purchasing the MODWAY SOFA BED.

Before you start, here are some helpful advice:

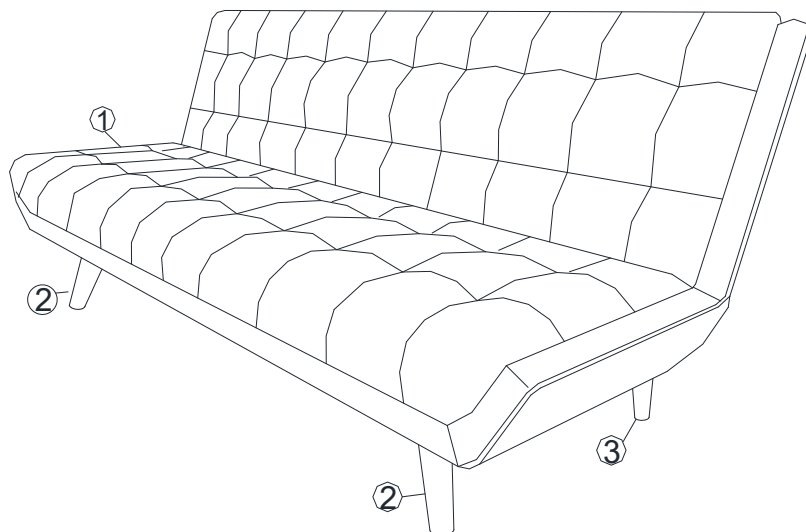
1. We suggest you spend a short time reading through this leaflet and then follow the simple step-by-step instructions.
2. Owing to the size and weight of the sofa bed, we recommend that it is assembled by two adults, on a carpeted or padded area, in the room that it is intended for. Approximate assembly time: 15 minutes.
3. Please do not use any tools other than those provided or recommended in these instructions.
4. Please do not throw away any of the packaging or the instruction until you have checked all the components and hardware and the furniture is fully assembled. Please ensure that the packaging is disposed of in a safe and environmentally friendly way.
5. Assemble all components loosely until advised to tighten. Depending on use, it may be necessary to tighten the components from time to time, so please save the tools that have been provided.
6. Please keep all fitting out of reach of children.



Hardware:

- | | | | |
|----|--|----------------|-----|
| A. |  | Bolt M6x35mm | x 8 |
| B. |  | Flat Washer M6 | x 8 |
| C. |  | Allen Wrench | x1 |

Component:



1 Sofa Cushion x1 2 Front Leg x 2 3 Back Leg x 2

EEI-3093 SOFA BED



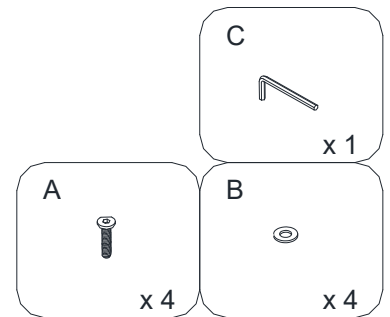
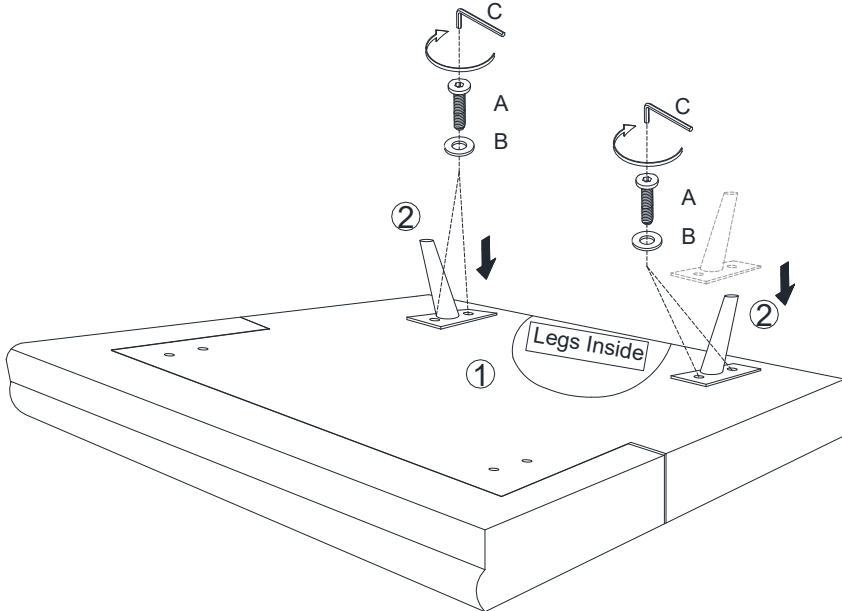
STEP 1:

Please put **Sofa Cushion (1)** on a carpeted or padded surface.

Open the zipper in the bottom of the **Sofa Cushion (1)** and take out 2 pieces of **Front Leg (2)** and 2 pieces of **Back Leg (3)** from the Legs package.

Attach 1 piece of **Front Leg (2)** to the bottom of **Sofa Cushion (1)** by using 2 pieces of **Bolts (A)** with 2 pieces of **Flat Washers (B)** as shown. Repeat the same steps for the other 1 piece of **Front Leg (2)**.

Tighten **Bolts (A)** by using **Allen Wrench (C)** as shown.

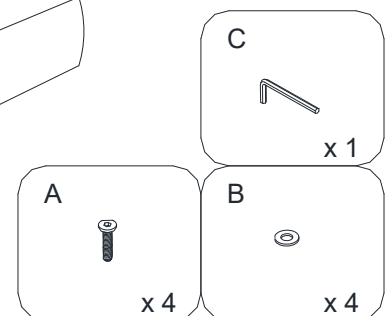
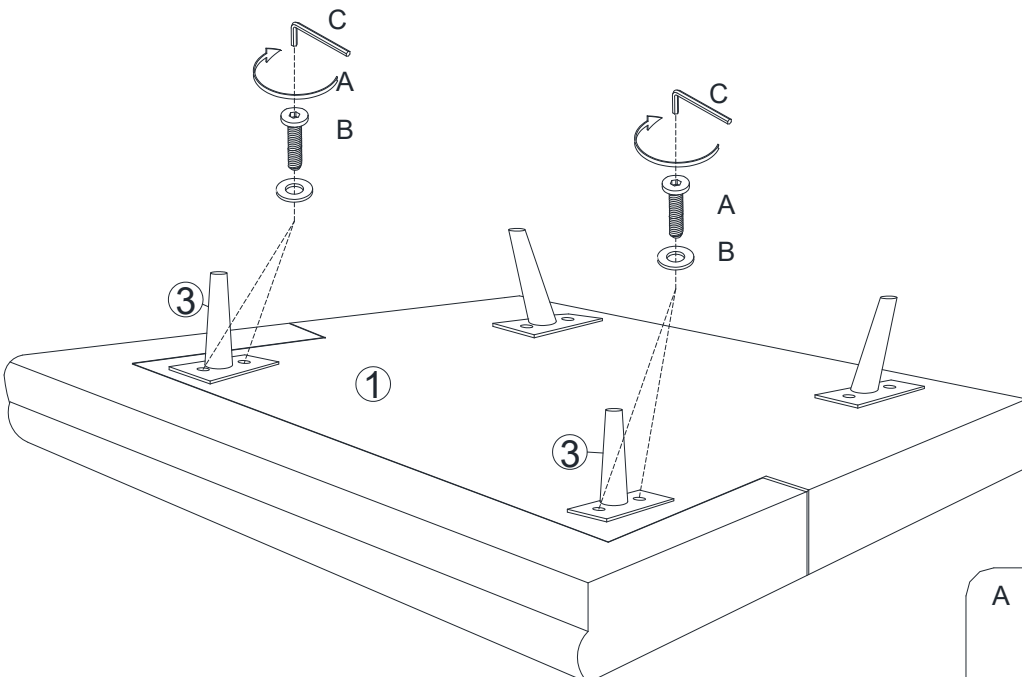


Hardware & Tools required

STEP 2:

Attach 1 piece of **Back Leg (3)** to the bottom of assembled **Sofa Cushion (1)** and **Front Leg (2)** by using 2 pieces of **Bolts (A)** with 2 pieces of **Flat Washers (B)** as shown. Repeat the same steps for the other 1 piece of **Back Leg (3)**.

Tighten **Bolts (A)** by using **Allen Wrench (C)** as shown.

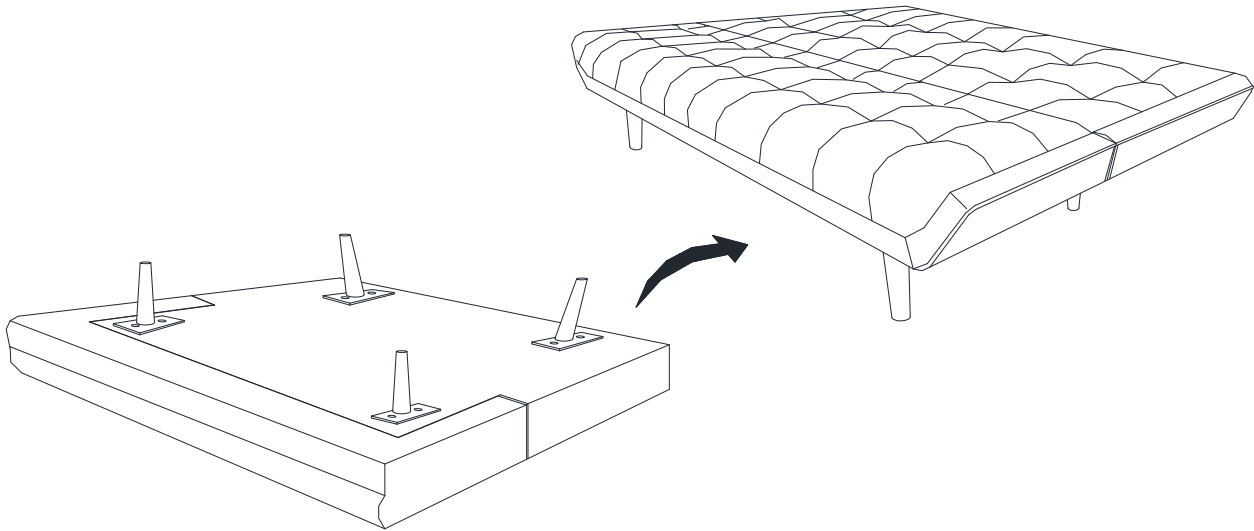


Hardware & Tools required

EEI-3093 SOFA BED

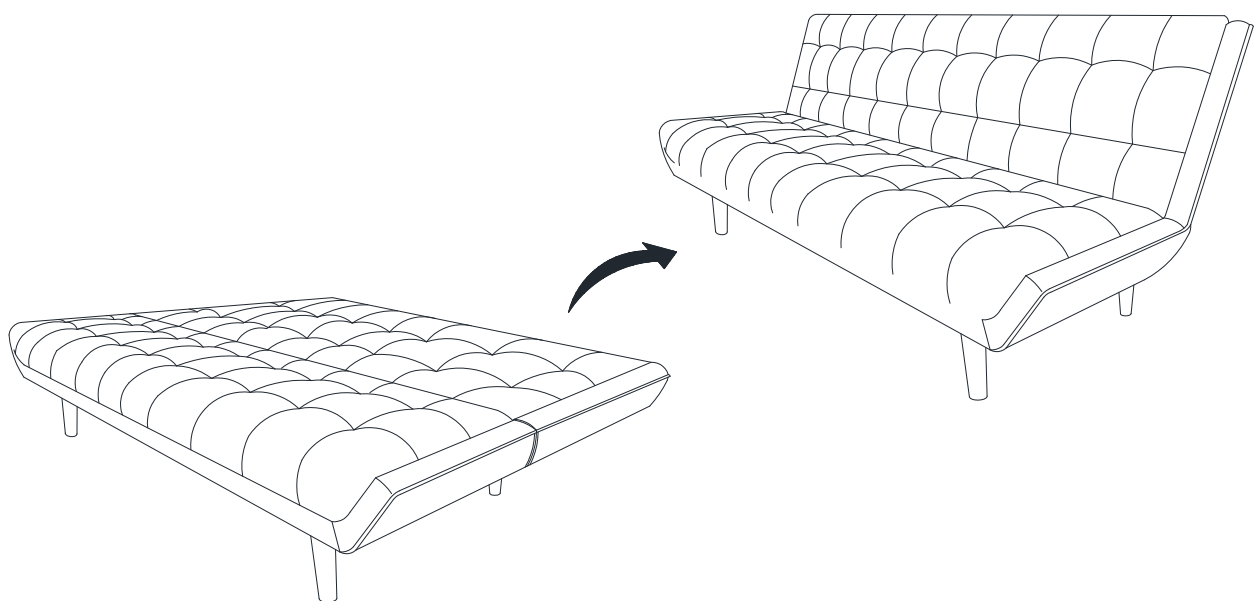
STEP 3:

Carefully turn over the assembled **Sofa Cushion (1)**, **Front Leg (2)** and **Back Leg (3)** from step 2 as shown.



STEP 4:

Lift the back of assembled **Sofa Cushion (1)** as shown.



EEI-3093 SOFA BED

STEP 5:

Assembly is complete. Your Sofa Bed is ready to be used now!

